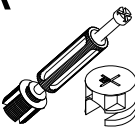
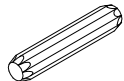
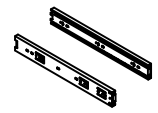







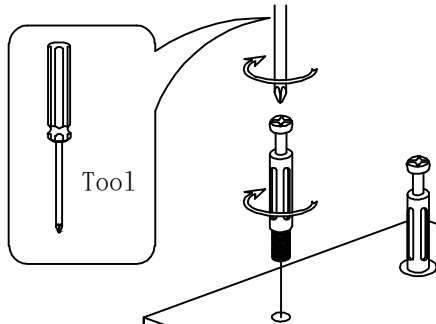


<p><b>A</b></p>  <p>62PCS</p>	<p><b>B</b> 8*40</p>  <p>6PCS</p>	<p><b>C</b> 350MM</p>  <p>8PCS</p>	<p><b>D</b> 3.5*14</p>  <p>64PCS</p>	<p><b>E</b> 3.5*35</p>  <p>32PCS</p>	<p><b>F</b> 3.5*30</p>  <p>6PCS</p>	<p><b>G</b></p>  <p>8PCS</p>	<p><b>H</b> 4*18</p>  <p>16PCS</p>	<p><b>I</b> 7*50</p>  <p>9PCS</p>	<p><b>J</b></p>  <p>6PCS</p>
---	--	---	---	--	--	---	---	--	---

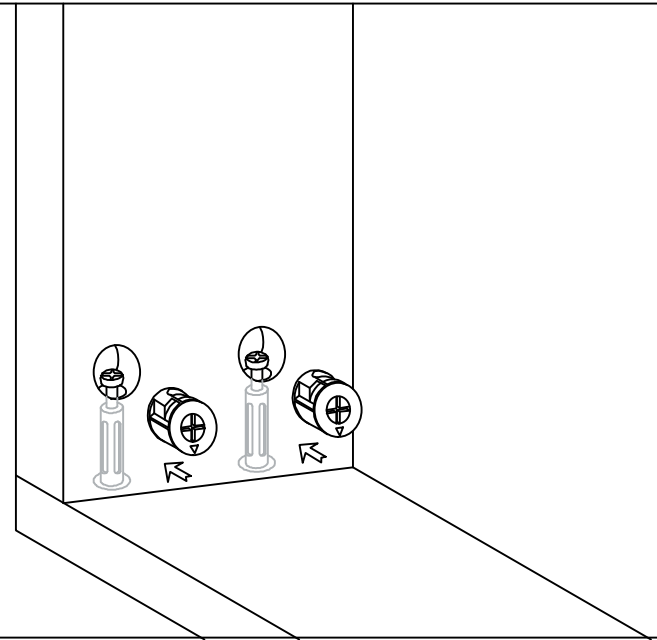
# "A" Hardware installation example

I

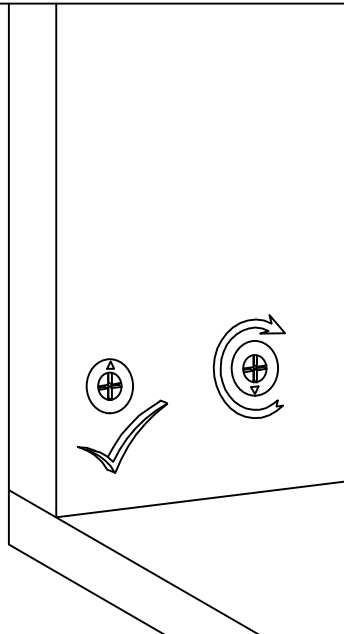
not include



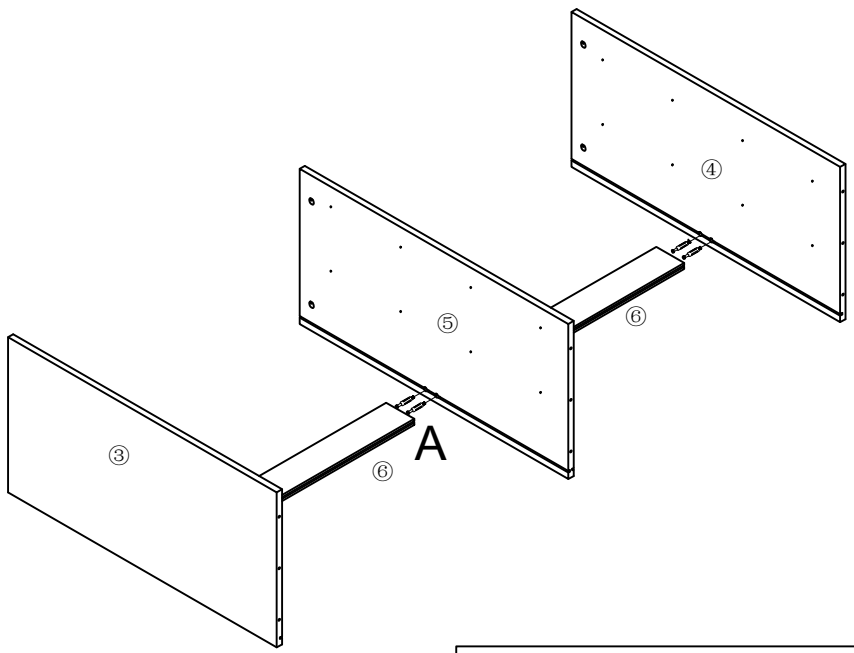
II



III

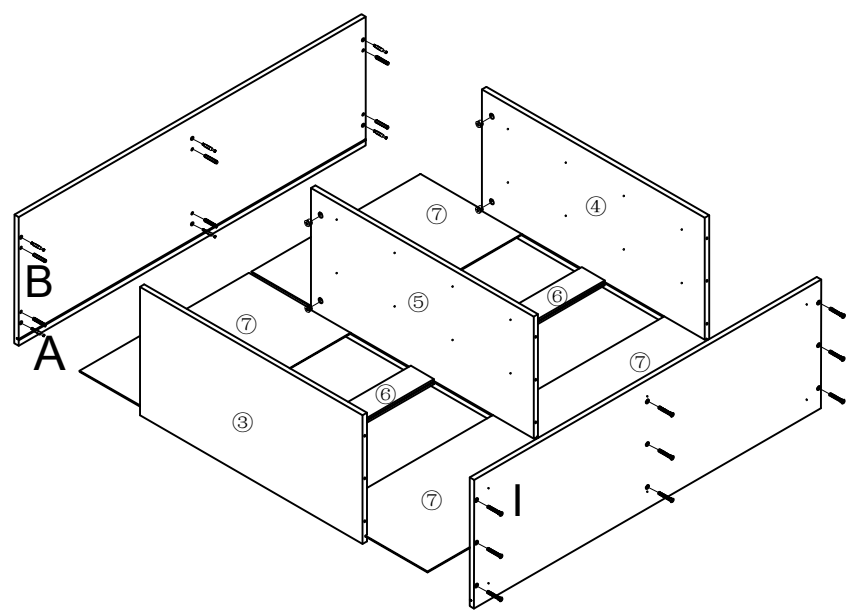


1



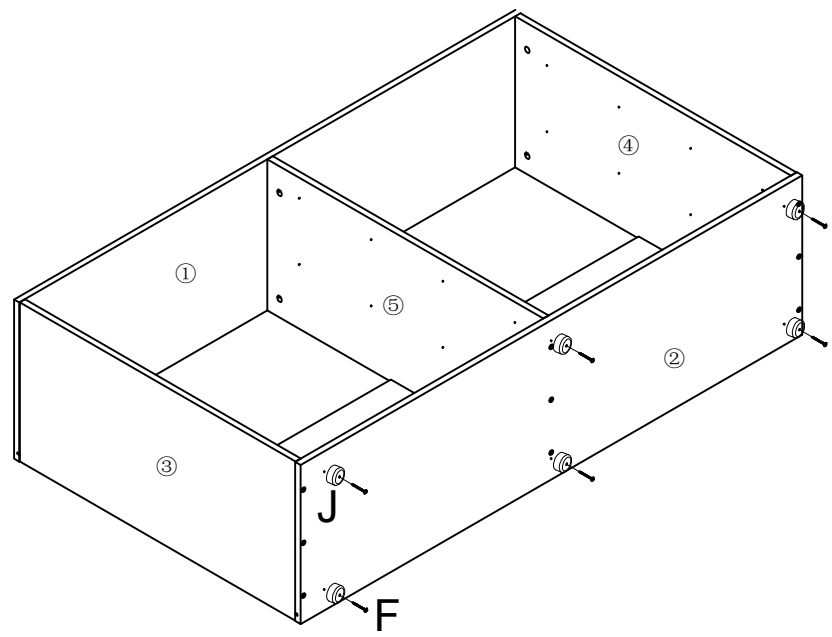
A\*8

2



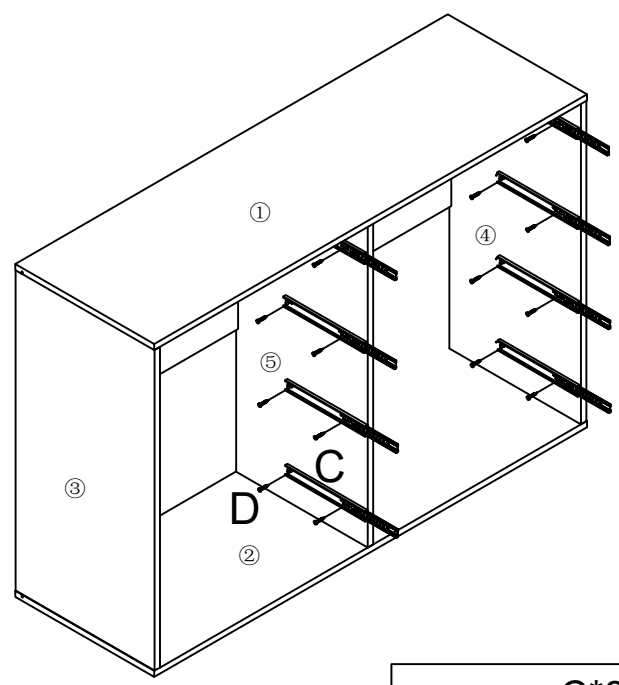
A\*6 B\*6 I\*9

3



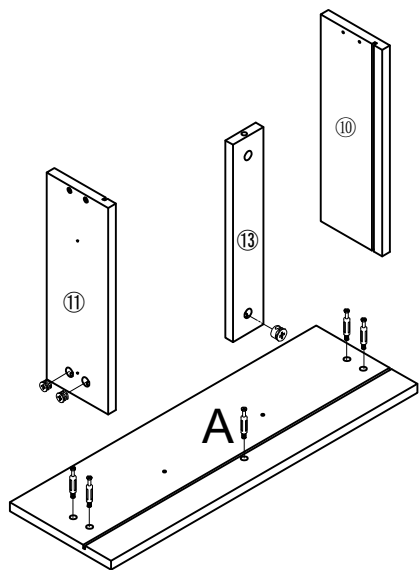
F\*6 J\*6

4



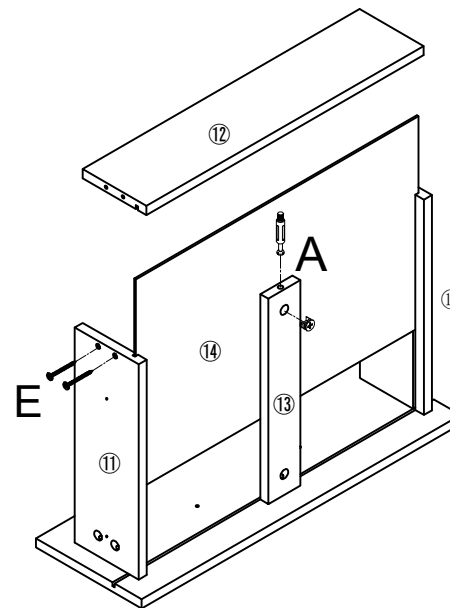
C\*8 D\*32

5



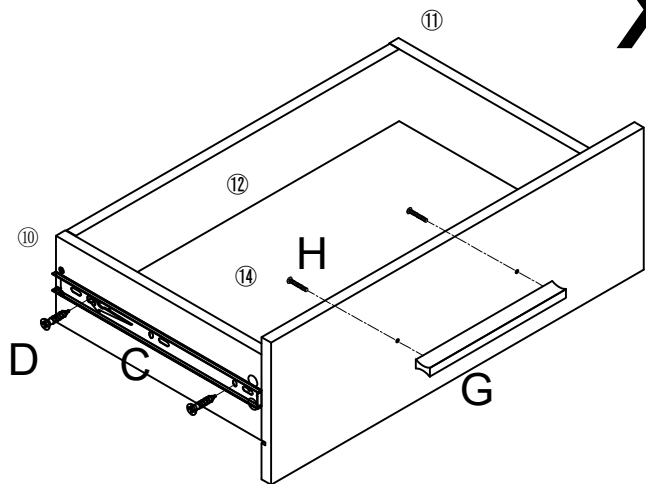
A\*5

6



A\*1 E\*4

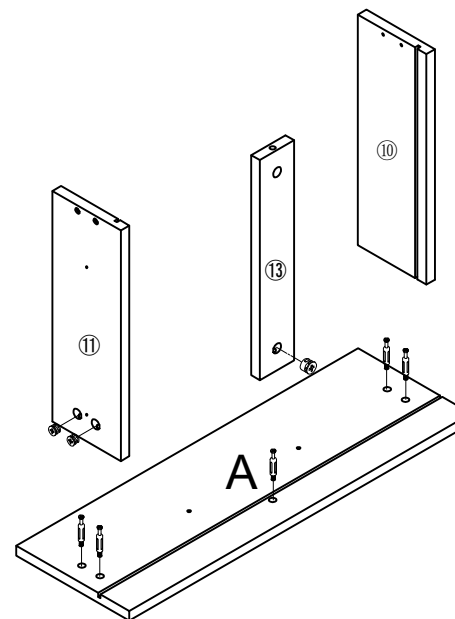
7



x4

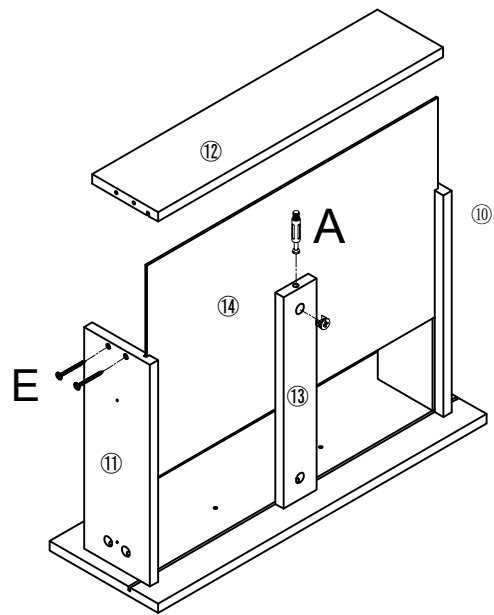
C\*1 D\*4 G\*1 H\*1

8



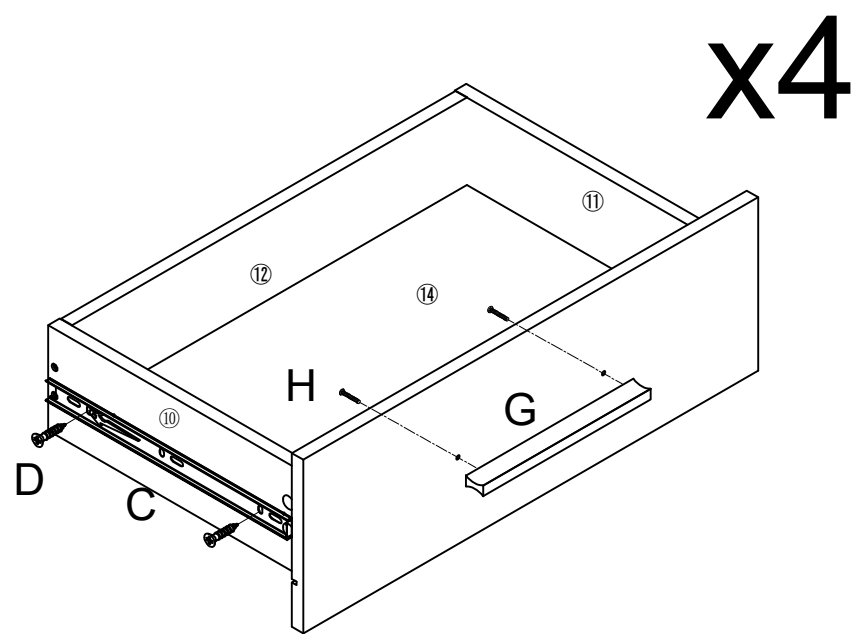
A\*5

9



A\*1 E\*4

10



x4

C\*1 D\*4 G\*1 H\*1

11

