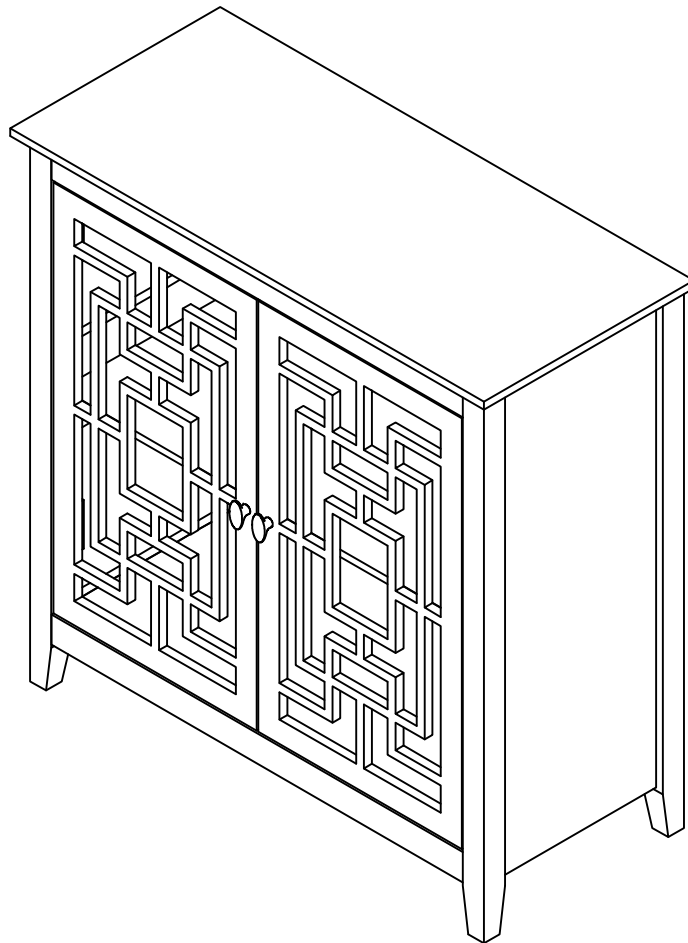


# ASSEMBLY INSTRUCTIONS

ITEM# AM-21001

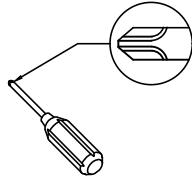


*If you find any damage after opening, please be sure to take pictures of the damage and contact us. We will help you solve the problem as soon as possible.*

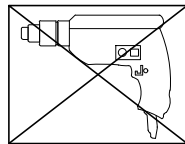
**THANK YOU**

# General Assembly Guidelines

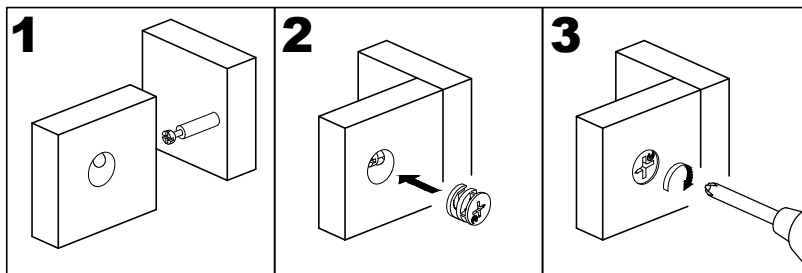
- I. Ensure that all parts and hardware are available before beginning assembly.
- II. Follow each step carefully to ensure the proper assembly of this product.
- III. Two people are recommended for ease in the assembly of this product.
- IV. The three main types of hardware used to assemble this product are : wood dowels , screws and bolts.
- V. A Phillips head screwdriver is required for the assembly of this product .



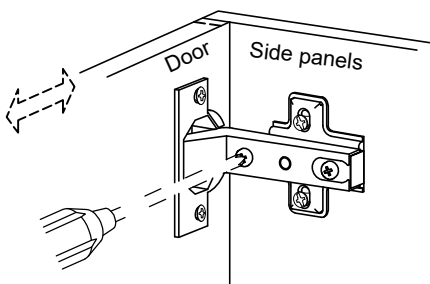
- VI. Power tools should not be used to assemble this product .



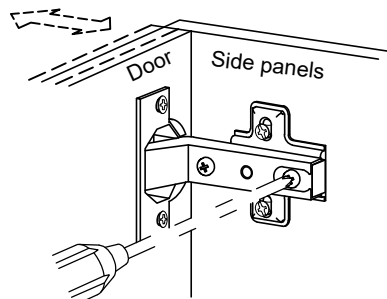
- VII. Insert cam lock into panel tighter with a screwdriver;  
Note: Please don't over-tighten the cam lock, otherwise, it will be broken.



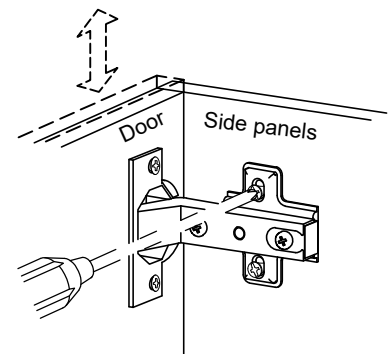
- VIII. Concealed hinges are three-way adjustable.



Horizontal  
by screw adjustment

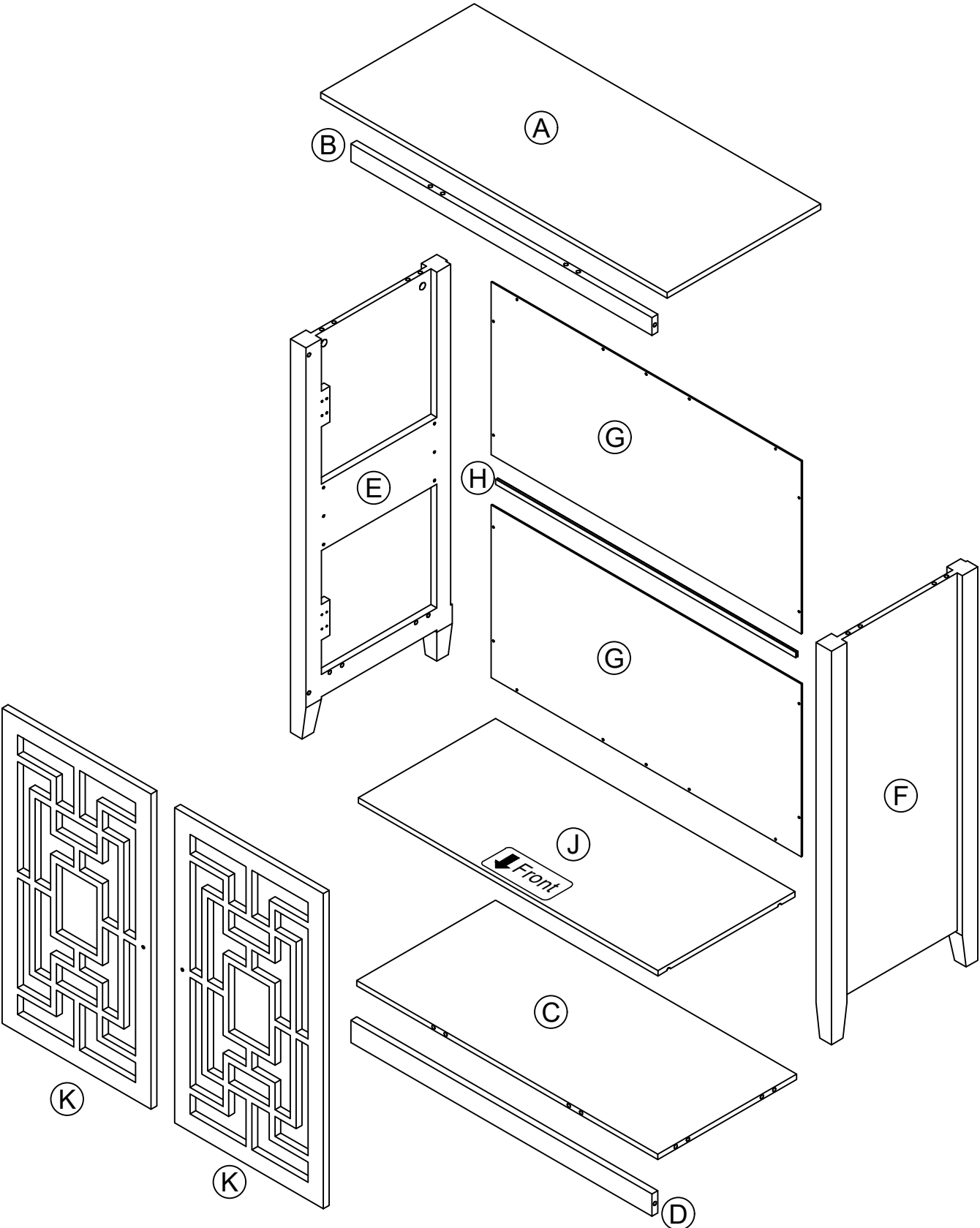


In-and-Out  
by loosening the hinge-arm  
mounting screw or via cam  
adjustment


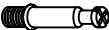









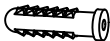




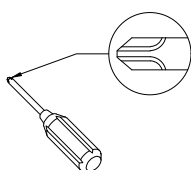
Vertical  
Via slots in the mounting  
plate or via cam adjustment

# Parts List



# Hardware List

1		Ø8x30	Wooden dowel	12 pcs
2		Ø6x32	Cam bolt	16 pcs
3		Ø15x9.5	Cam lock	16 pcs
4			Sticker	16 pcs
5		Ø3x12	Screw	16 pcs
6			Shelf support pin	4 pcs
7			Handle	2 pcs
8		Ø4x18	Screw	2 pcs
9			Hinge	4 pcs
10		Ø4x12	Screw	24 pcs
11			Plastic strap	1 pcs
			Nut	1 pcs
		Ø3x16	Screw	1 pcs
		Ø4x25	Screw	1 pcs



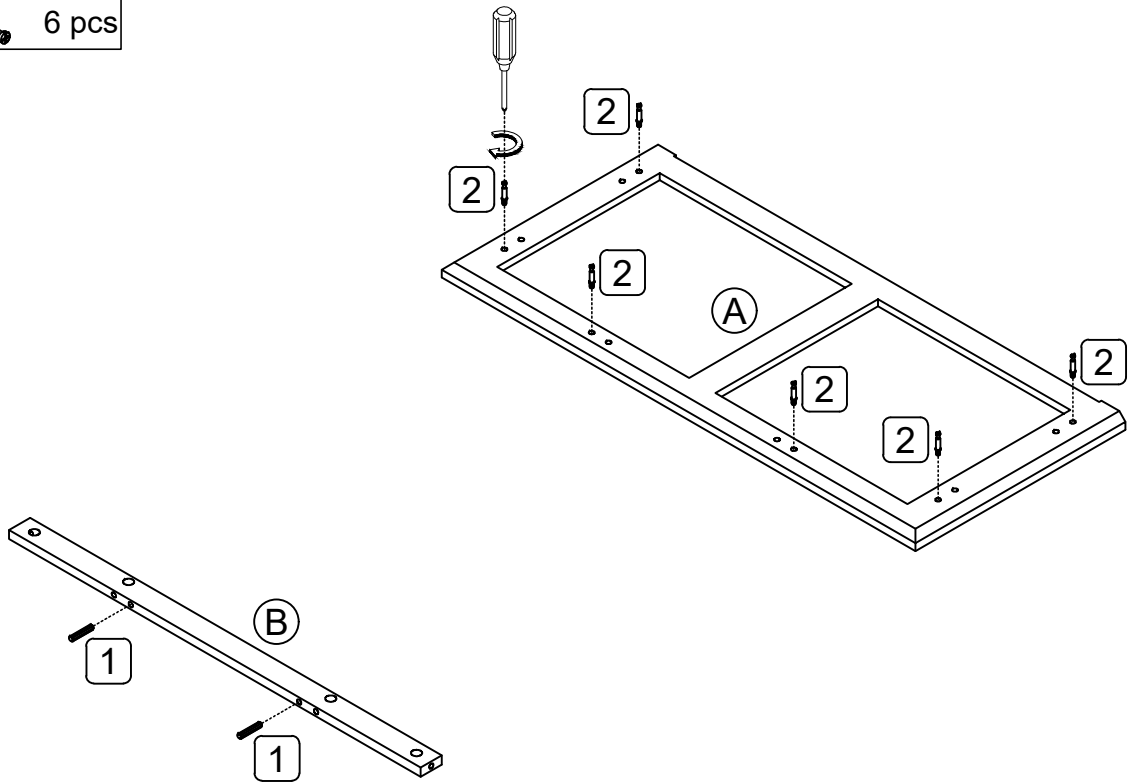
Philips head screwdriver required for assembly  
(not included)

*The hardware quantities listed above are required for proper assembly.  
Some extra hardware may also have been included.*


### Step 1


1:  2 pcs

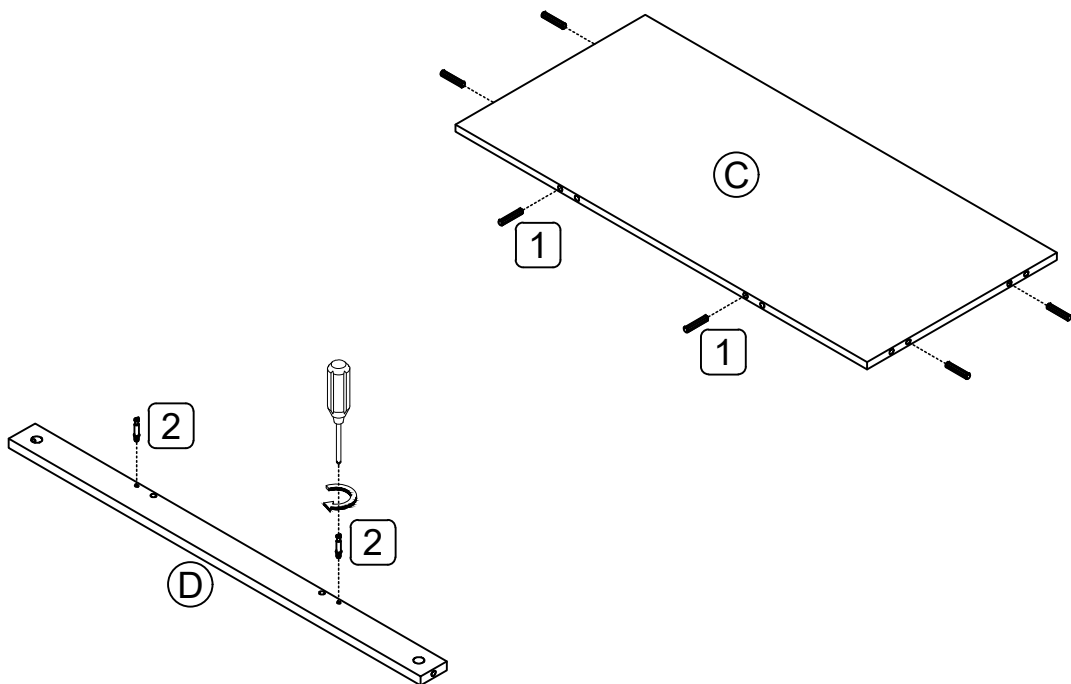
2:  6 pcs





### Step 2

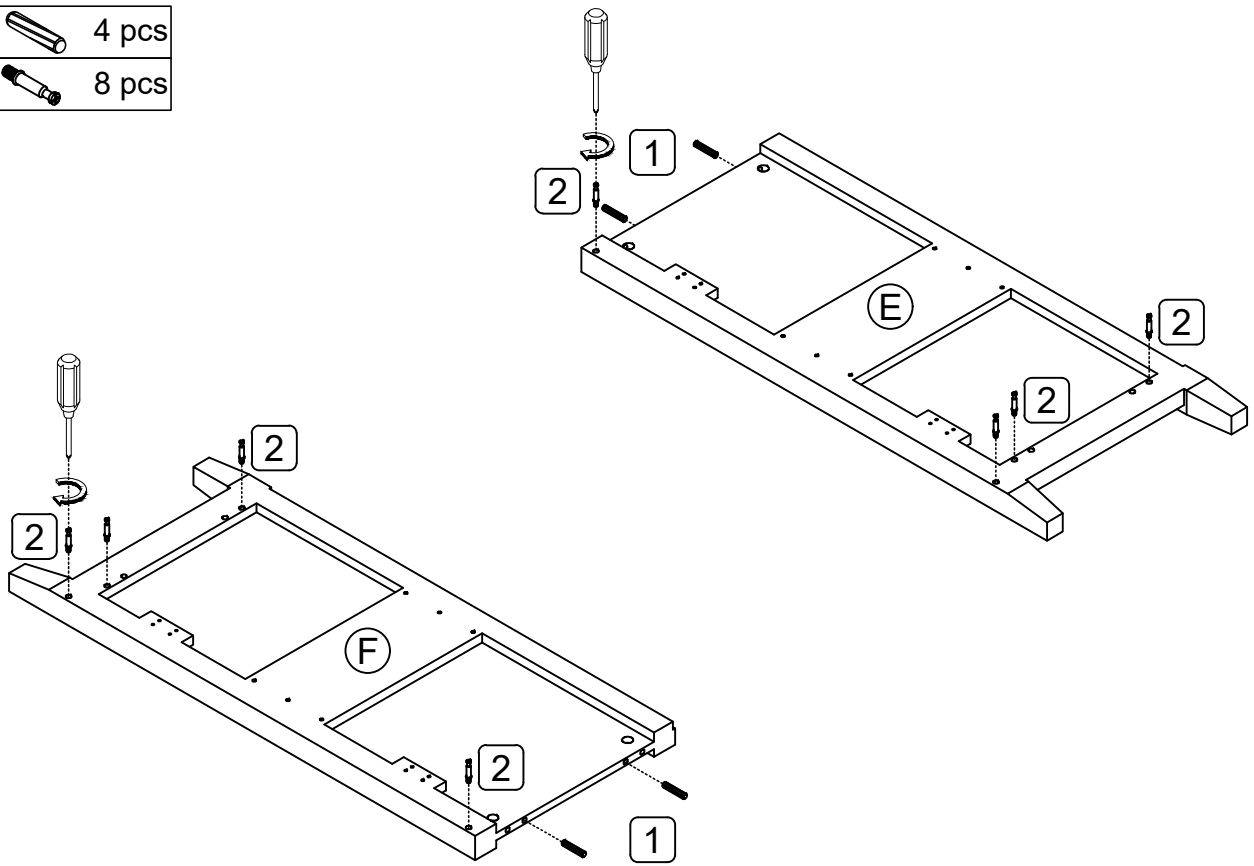
2:  2 pcs

1:  6 pcs



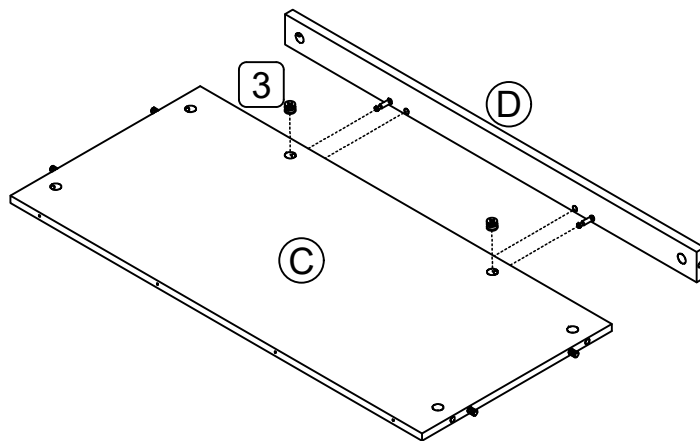
### Step 3

- 1:  4 pcs
- 2:  8 pcs



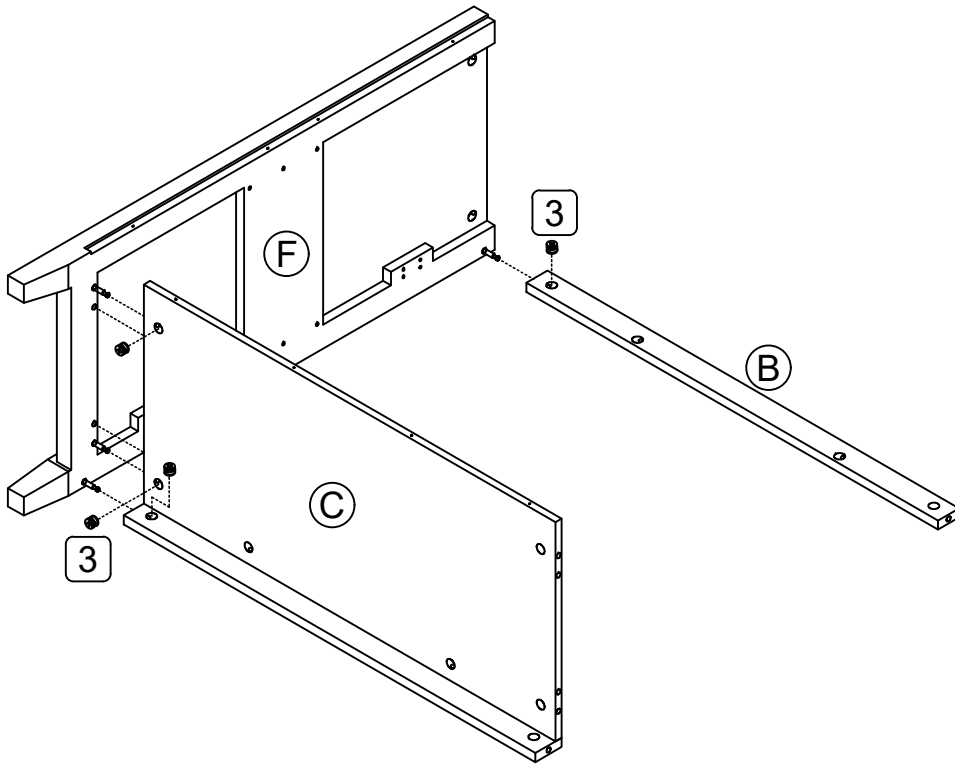
### Step 4

- 3:  2 pcs



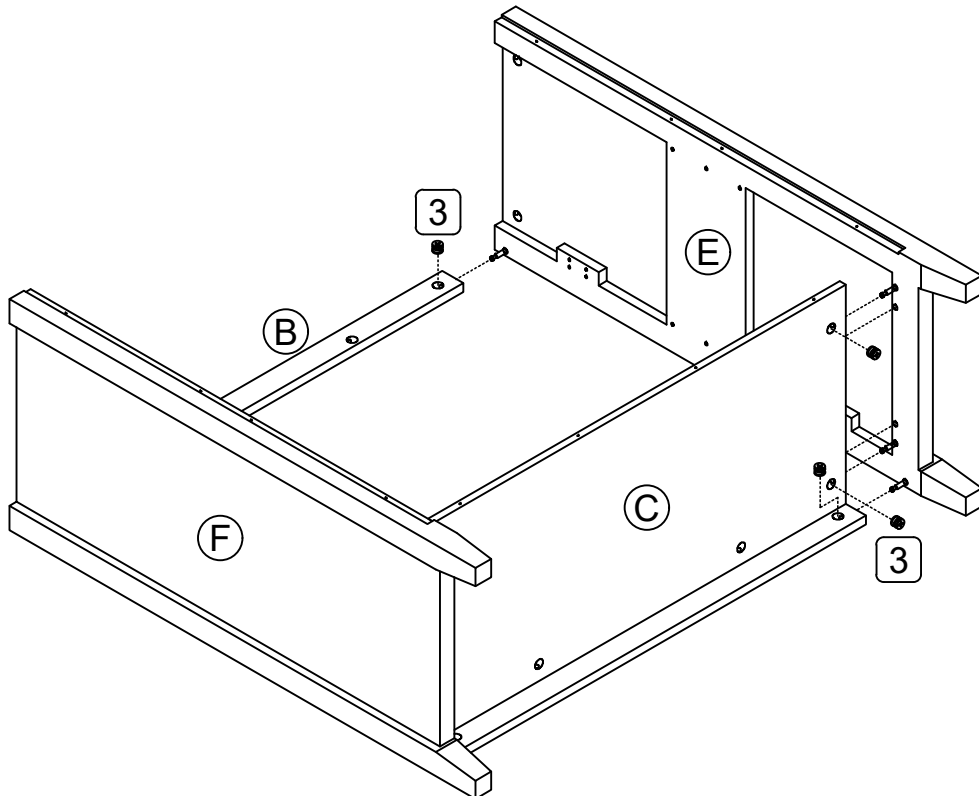
### Step 5

3:  4 pcs



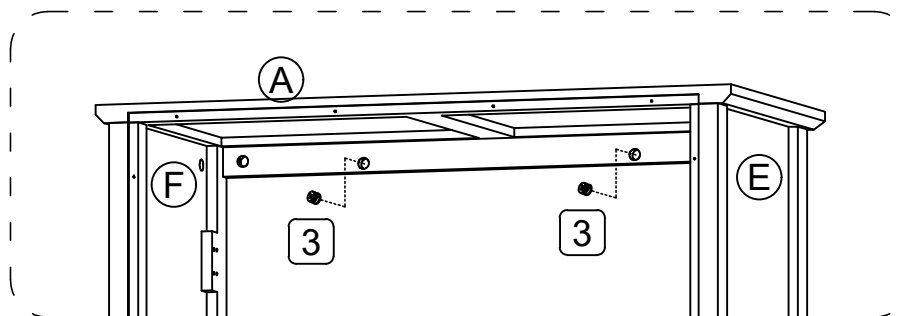
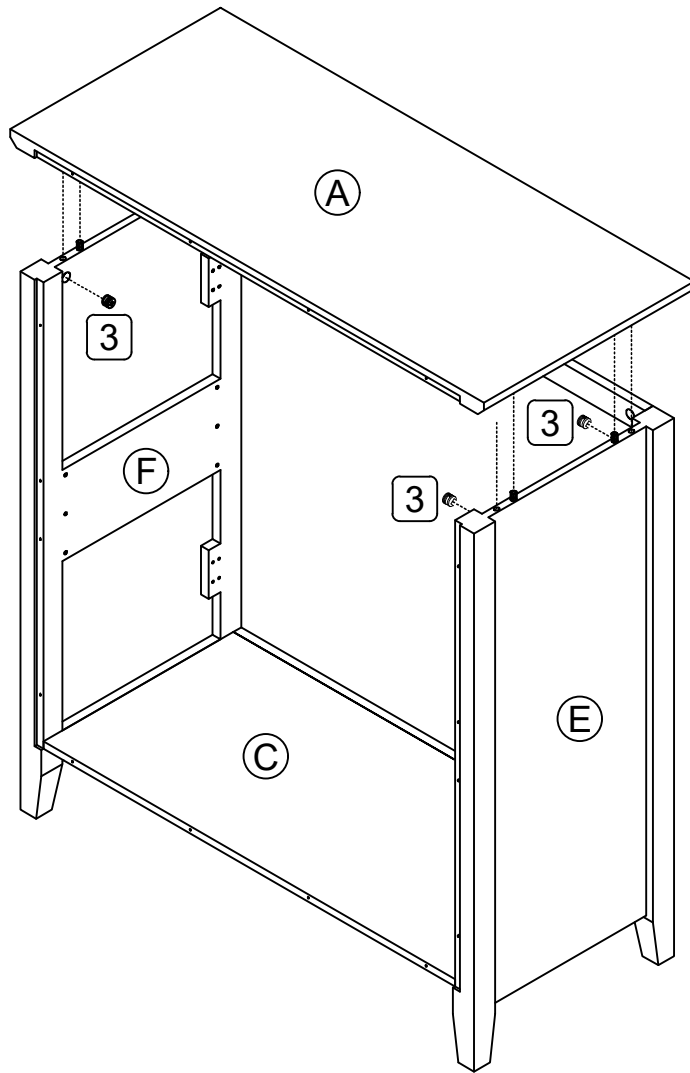
### Step 6

3:  4 pcs




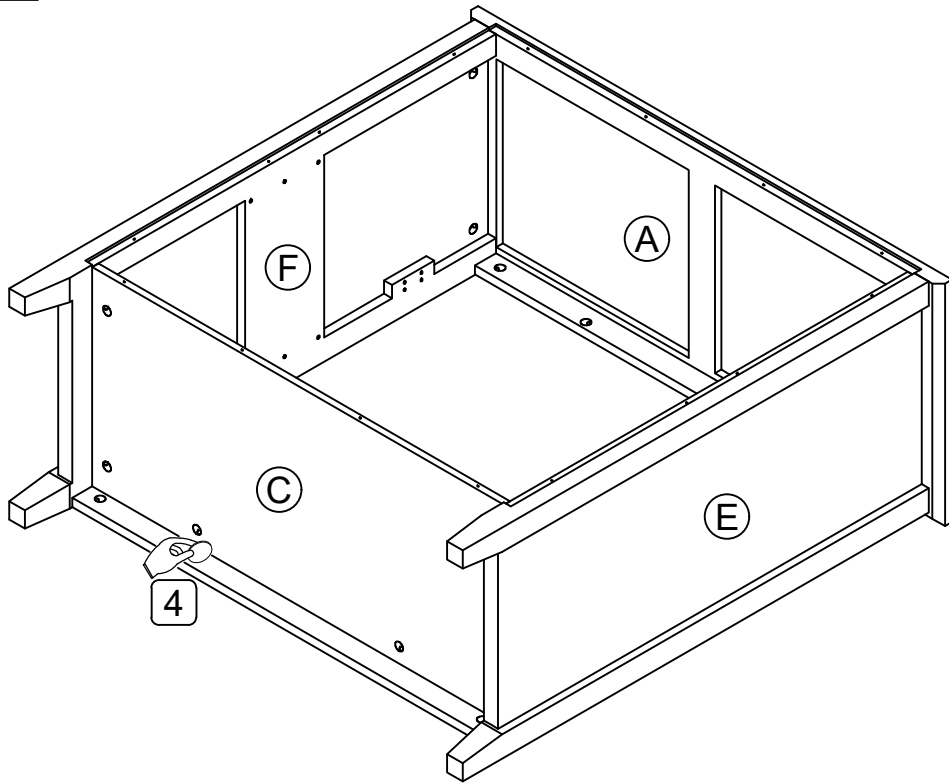
Step 7

3:  6 pcs

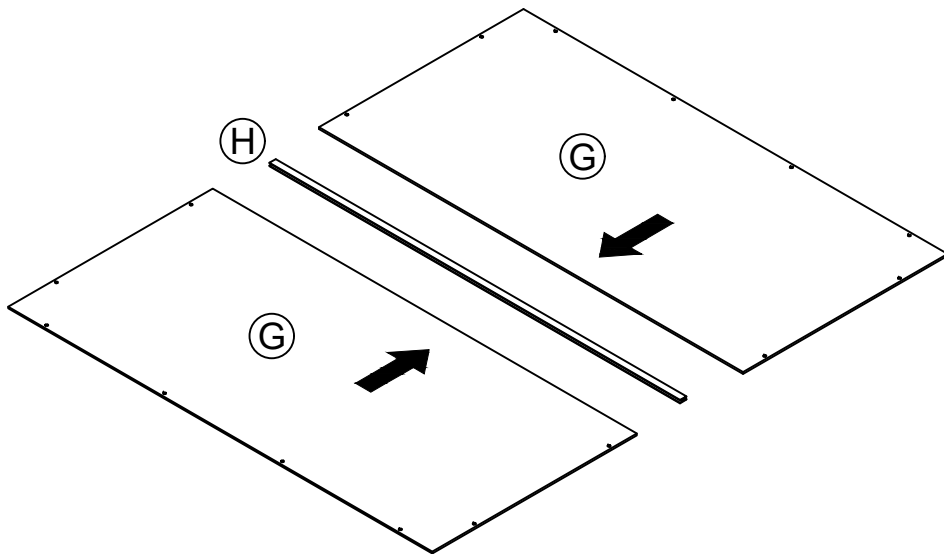


## Step 8

4:  16 pcs

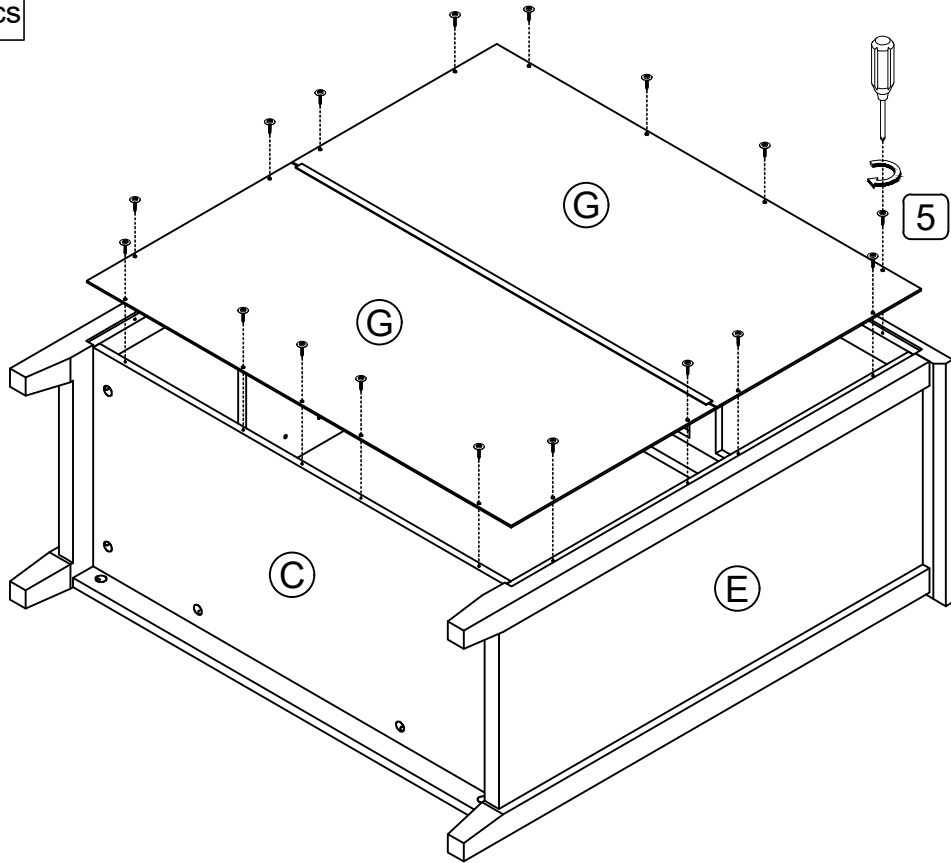


## Step 9



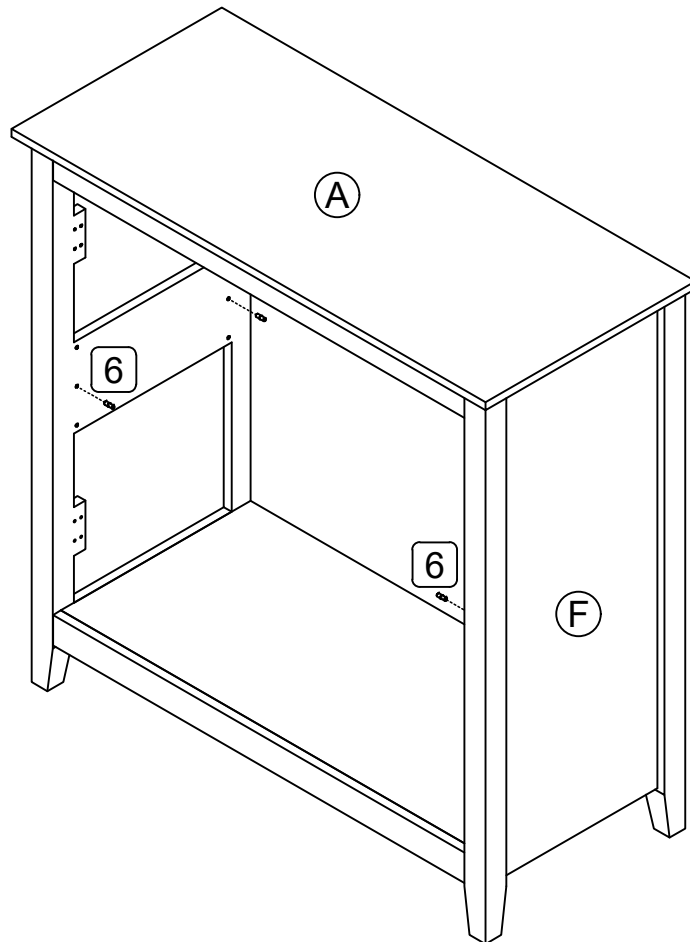
### Step 10

5:  16 pcs

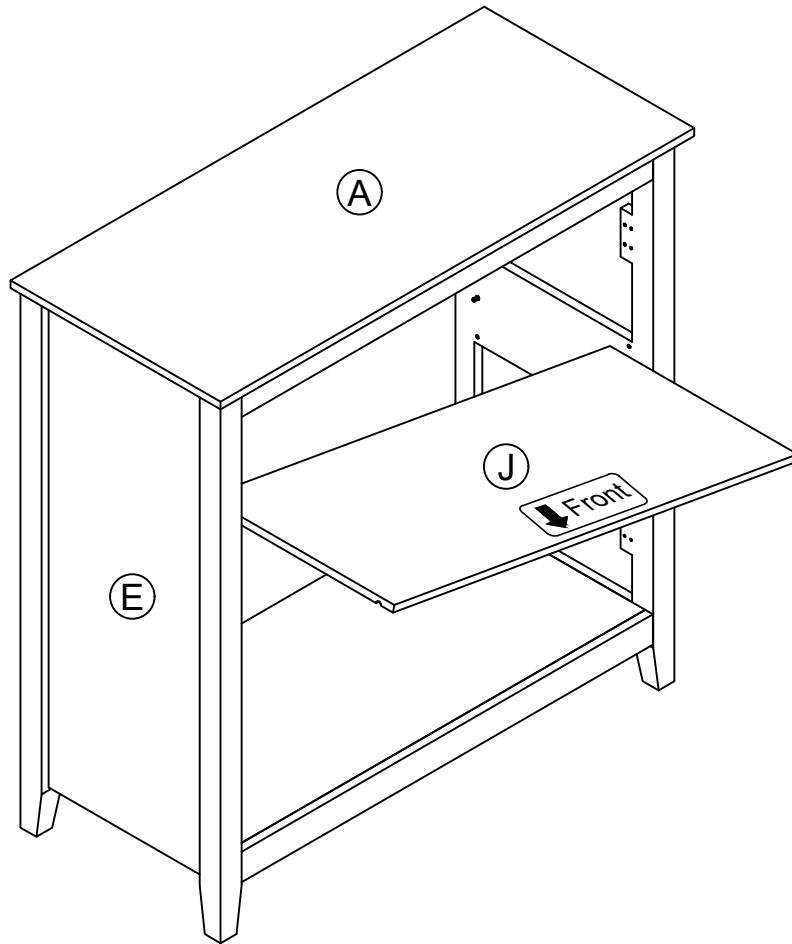


### Step 11





6:  4 pcs

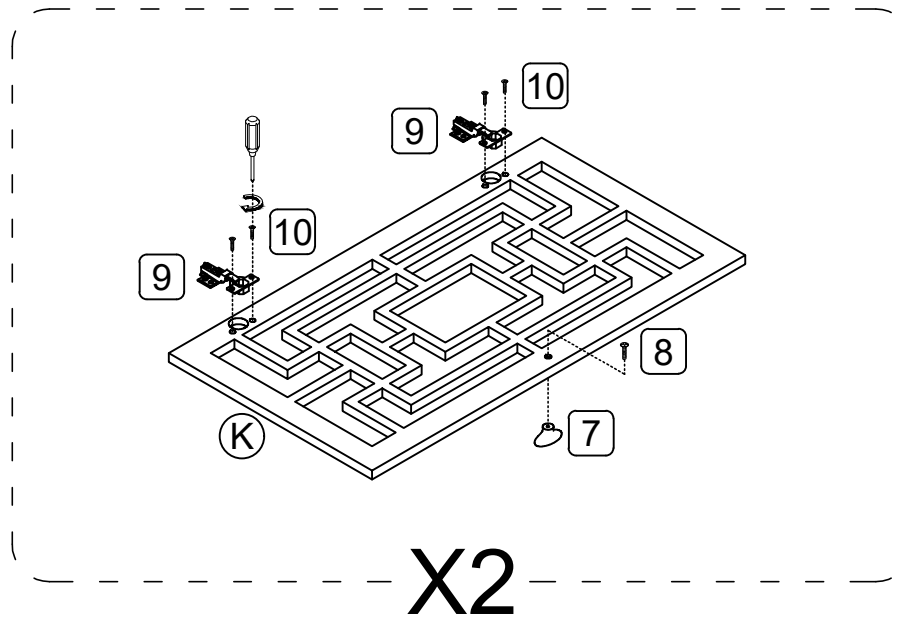


### Step 12



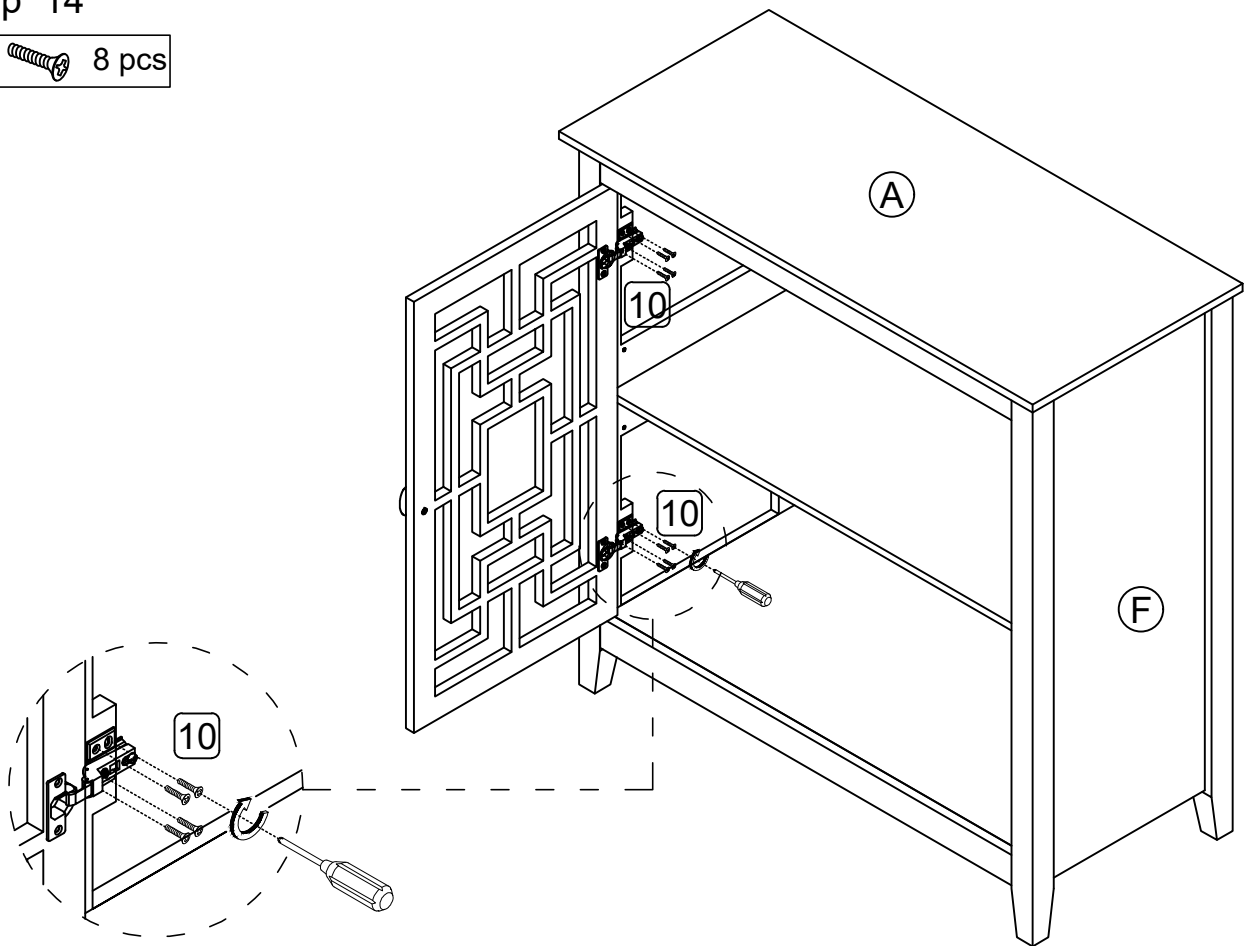
### Step 13

7:		2 pcs
8:		2 pcs
9:		4 pcs
10:		8 pcs



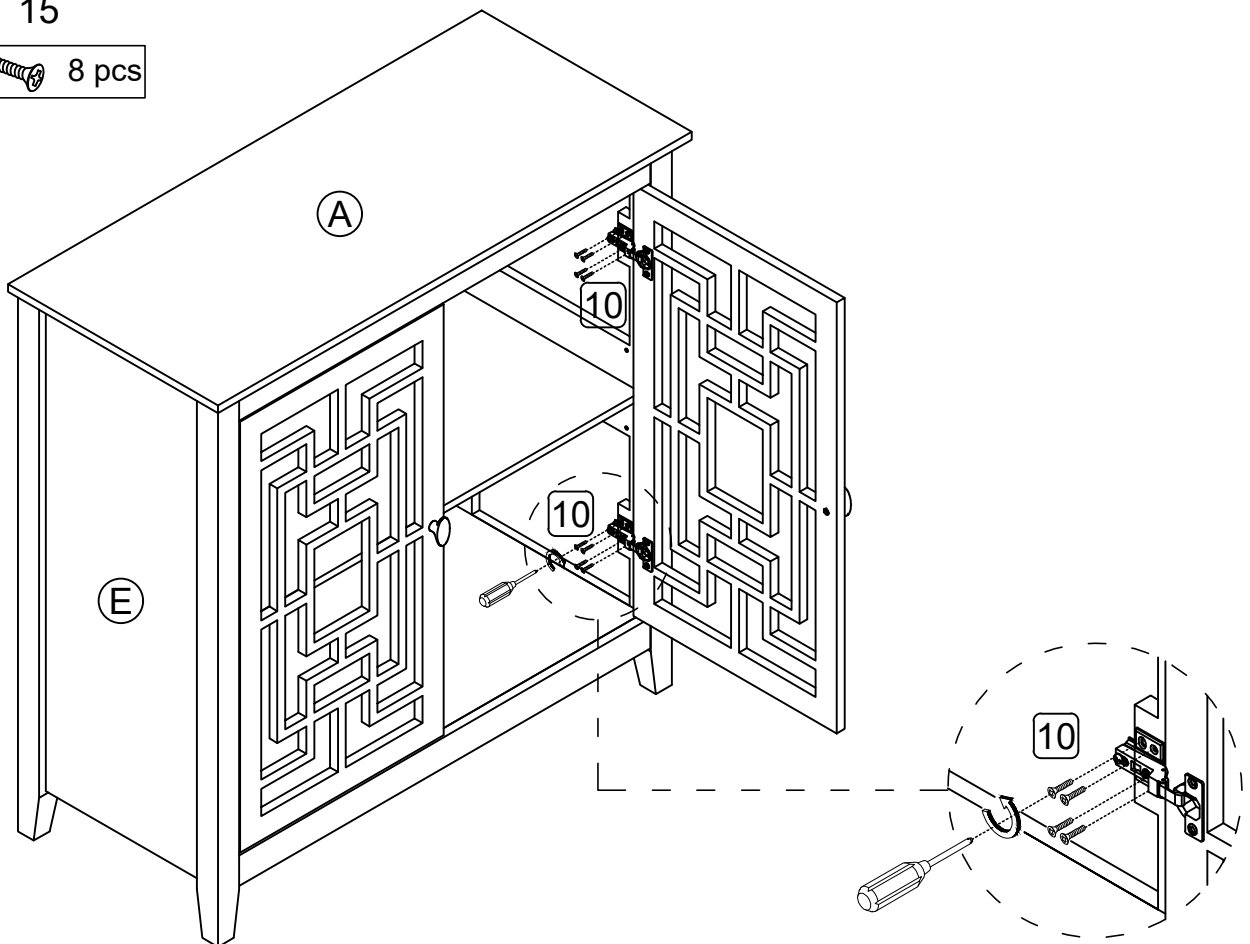
### Step 14

10:  8 pcs


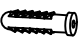




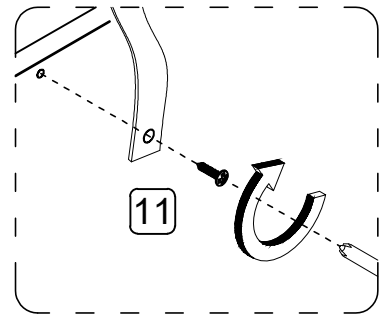
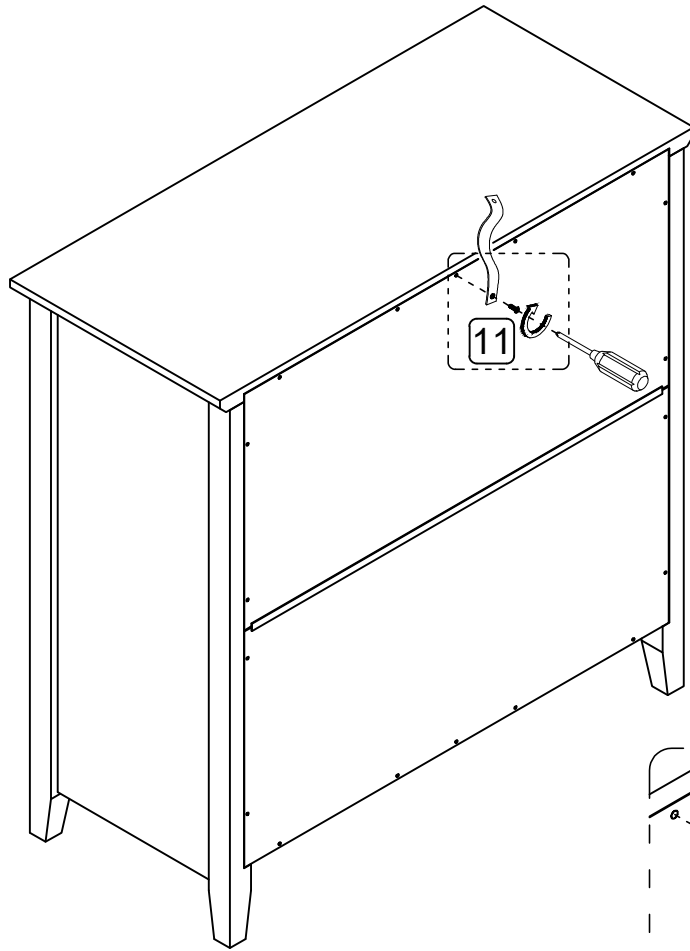
### Step 15

10:  8 pcs



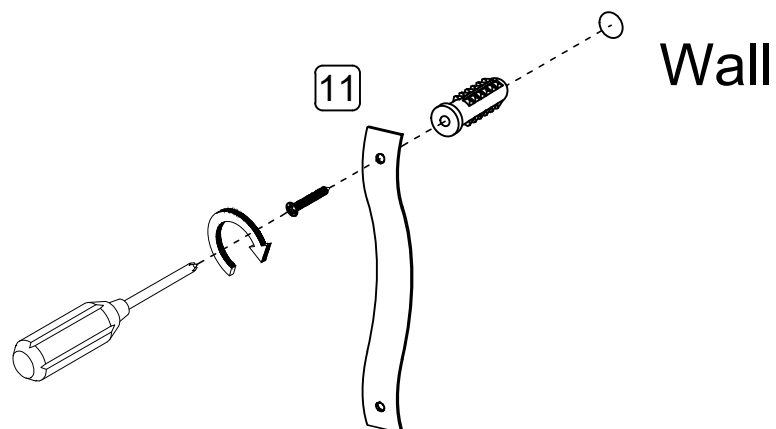
## Step 16

11:		1 pc
		1 pc
		1 pc
		1 pc

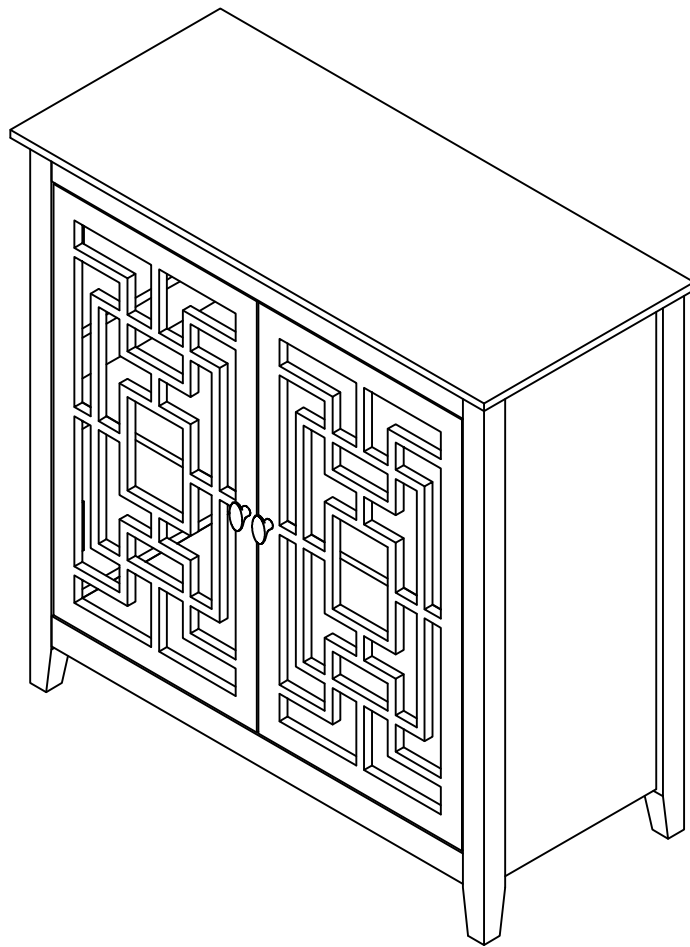


## WARNING

Serious or fatal injuries can occur from furniture tipping over. To prevent the furniture from tipping over we recommend that it is permanently fixed to the wall. Wall anchor and hardware are included with this product. Please make sure hardware is suitable for your walls before installing, as different wall materials may require different types of anchors.



Step 17



Final Assembly