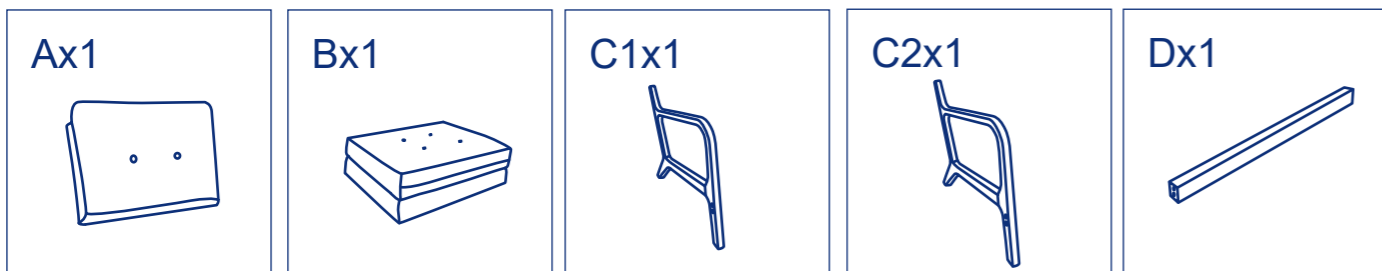
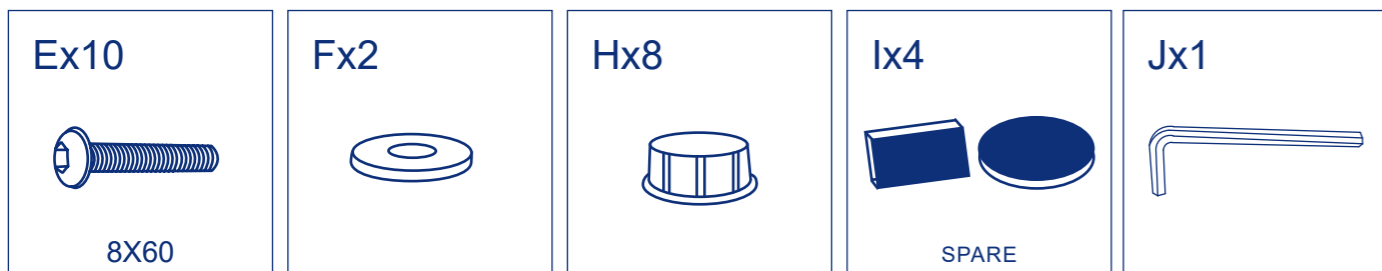


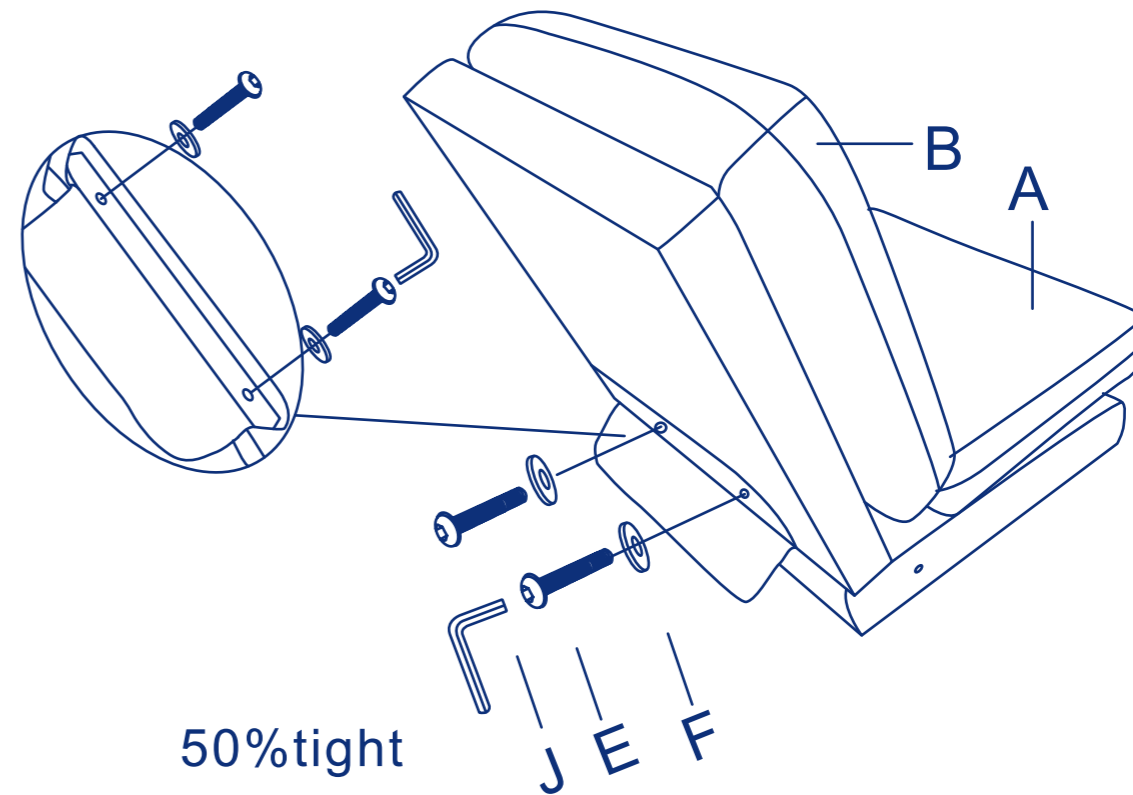
PARTS LIST



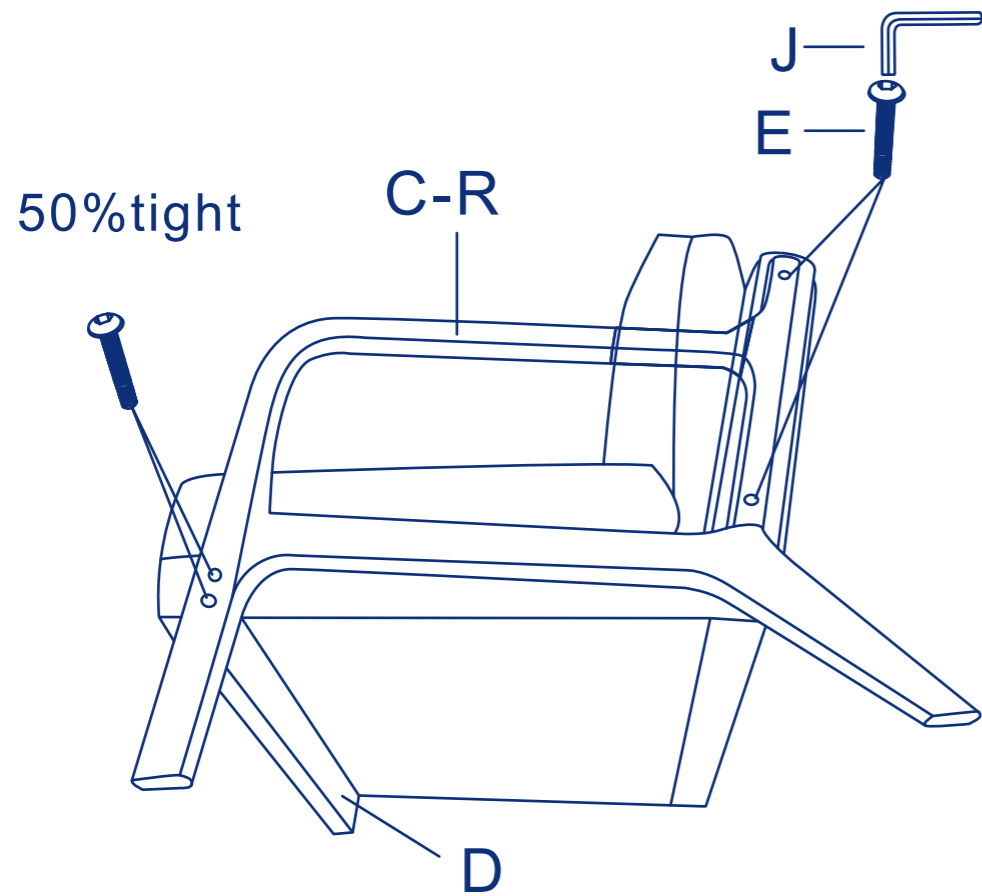
HARDWARE LIST



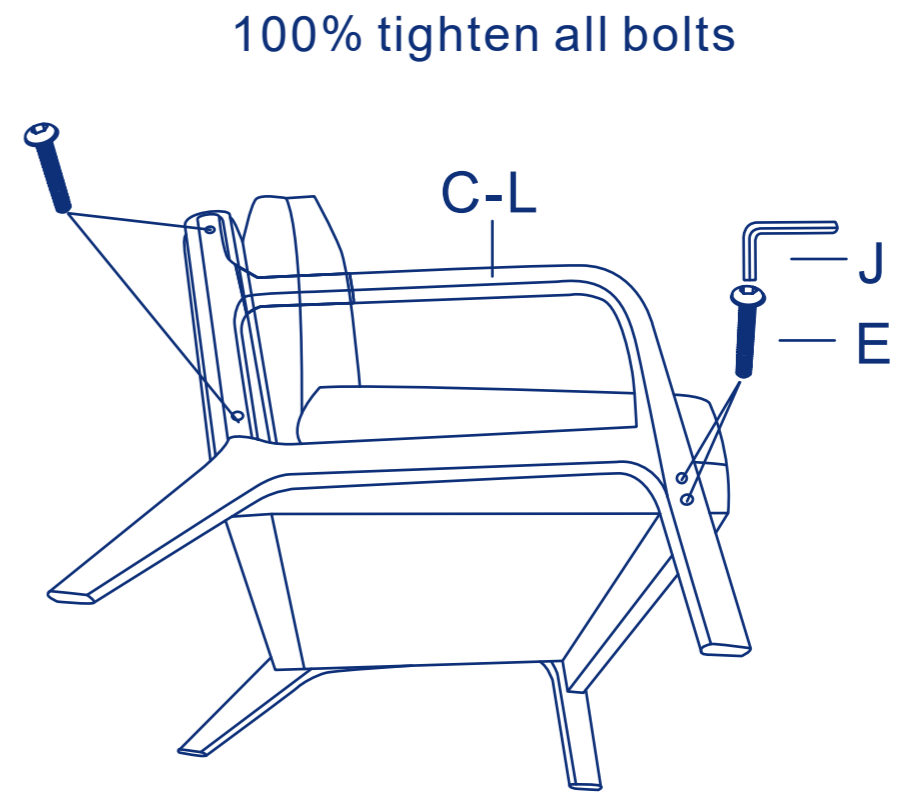
STEP1



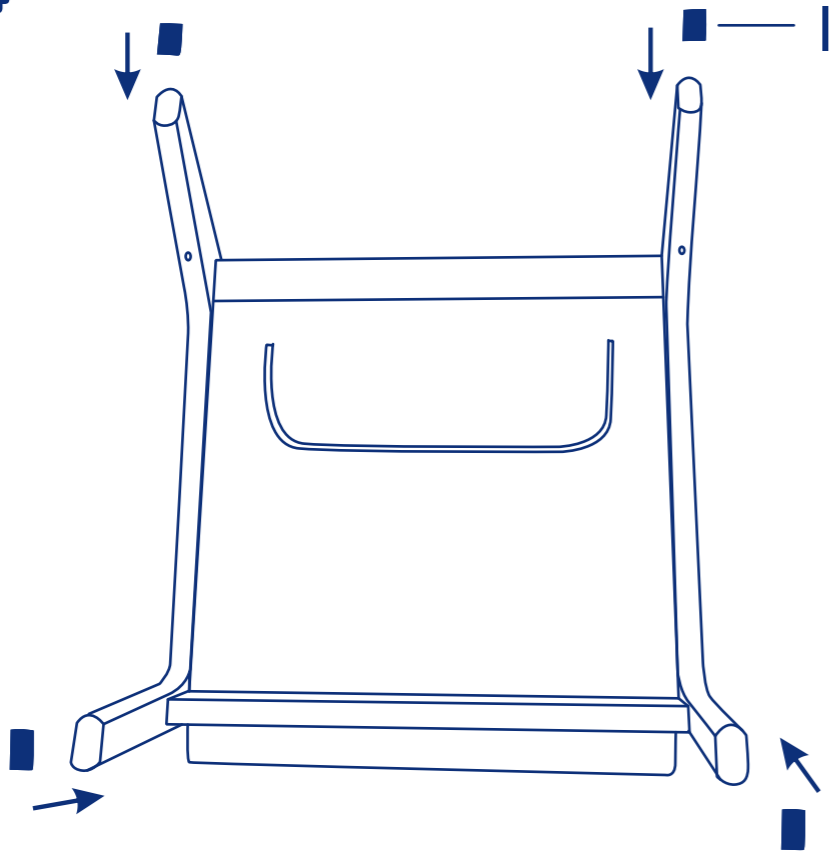
S STEP2



S STEP3



S STEP4



S STEP5

