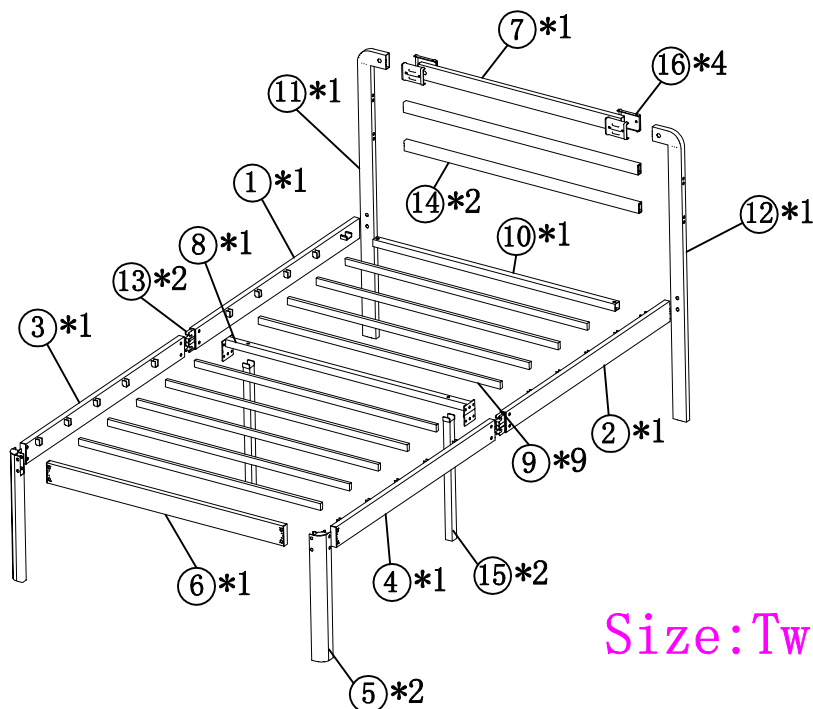
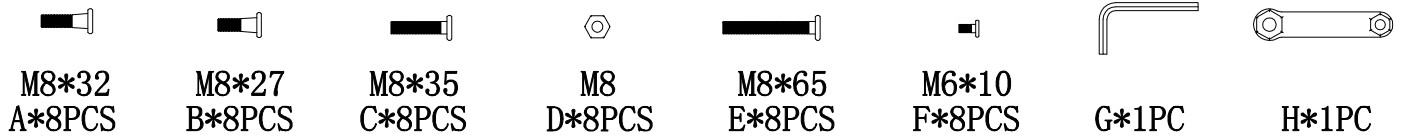
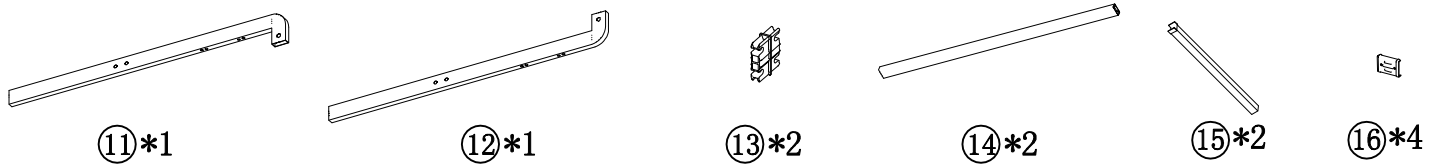
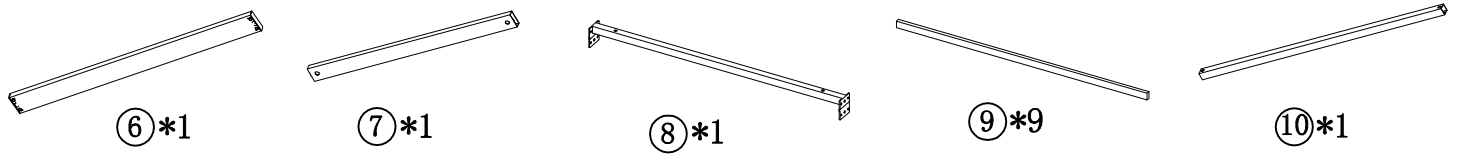
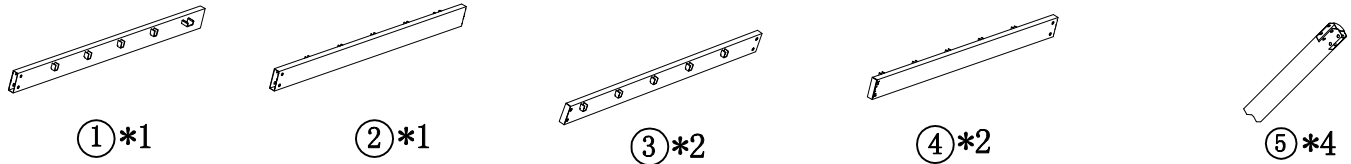


Platform Bed

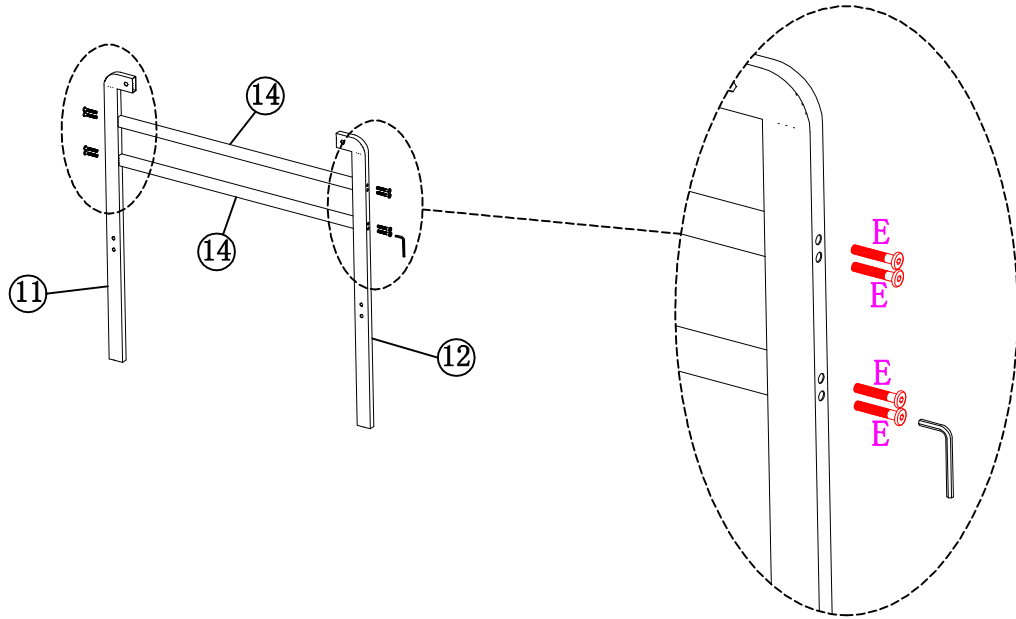
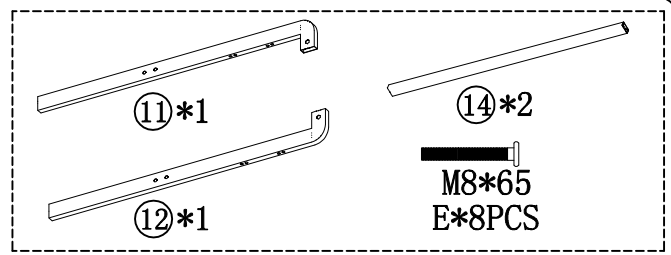
Set-up Instruction

If you have any questions about the product, please don't hesitate to contact us. You can reach us through your order. Thanks for your support!

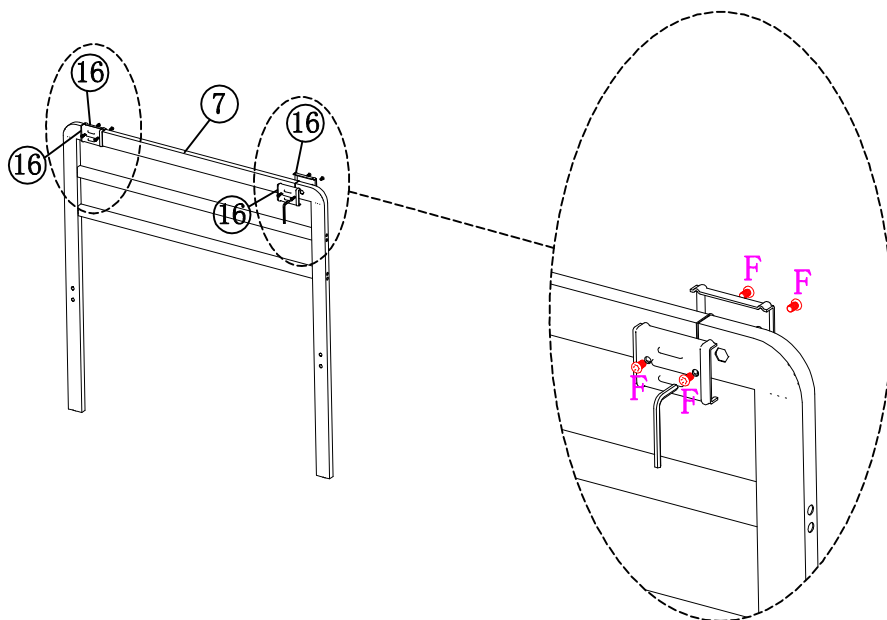
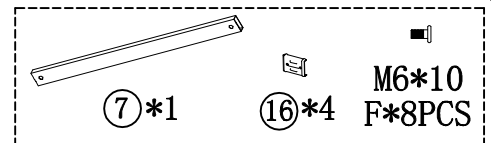


Size: Twin/TwinXL

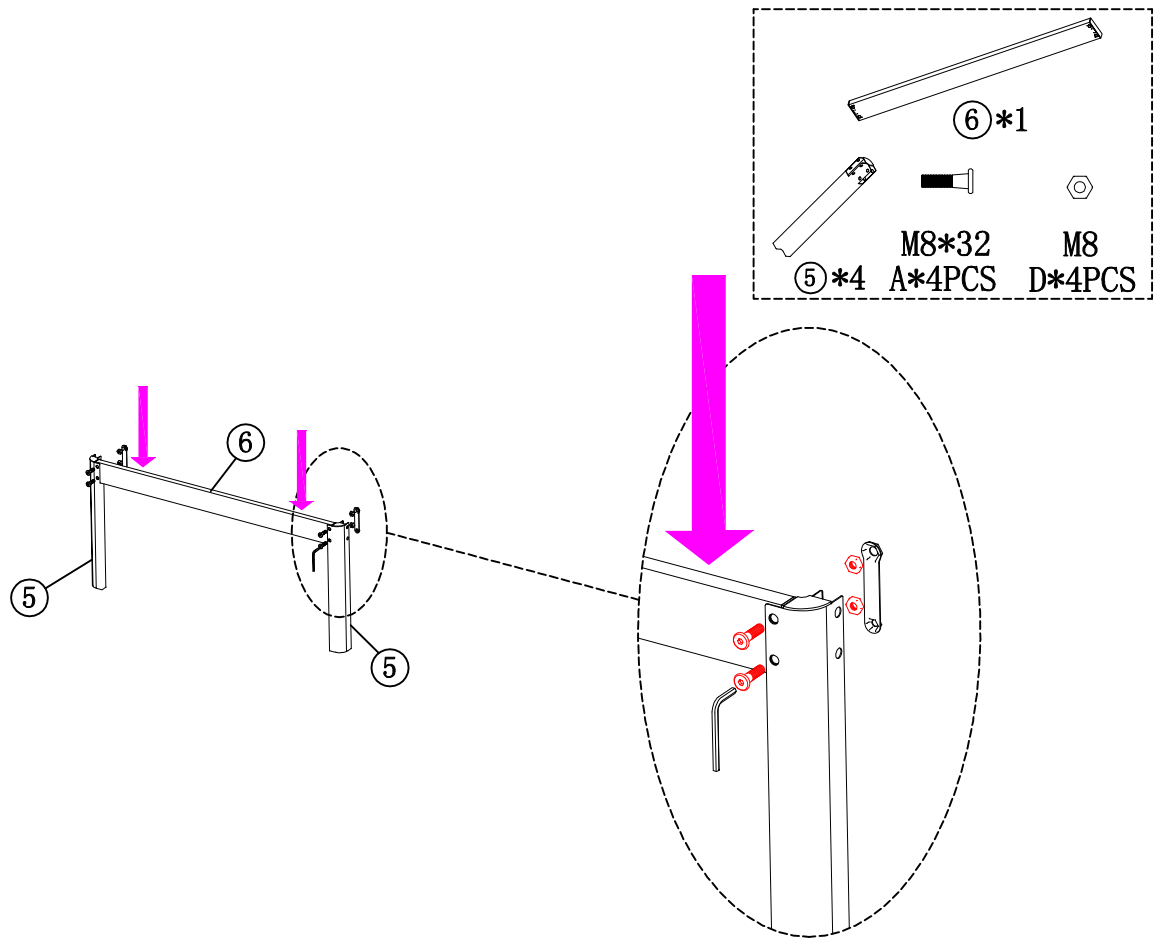
Step1



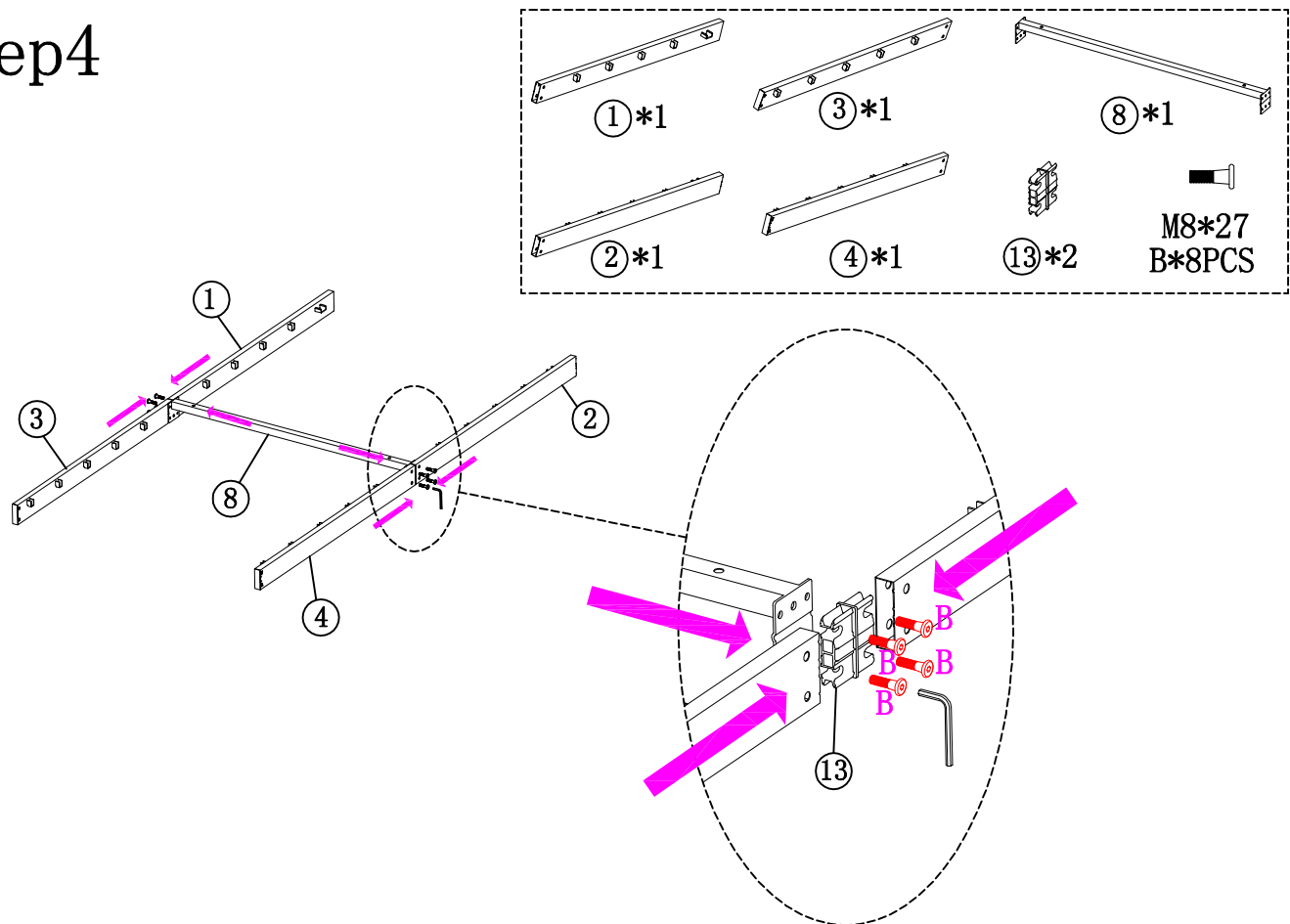
Step2




Step3

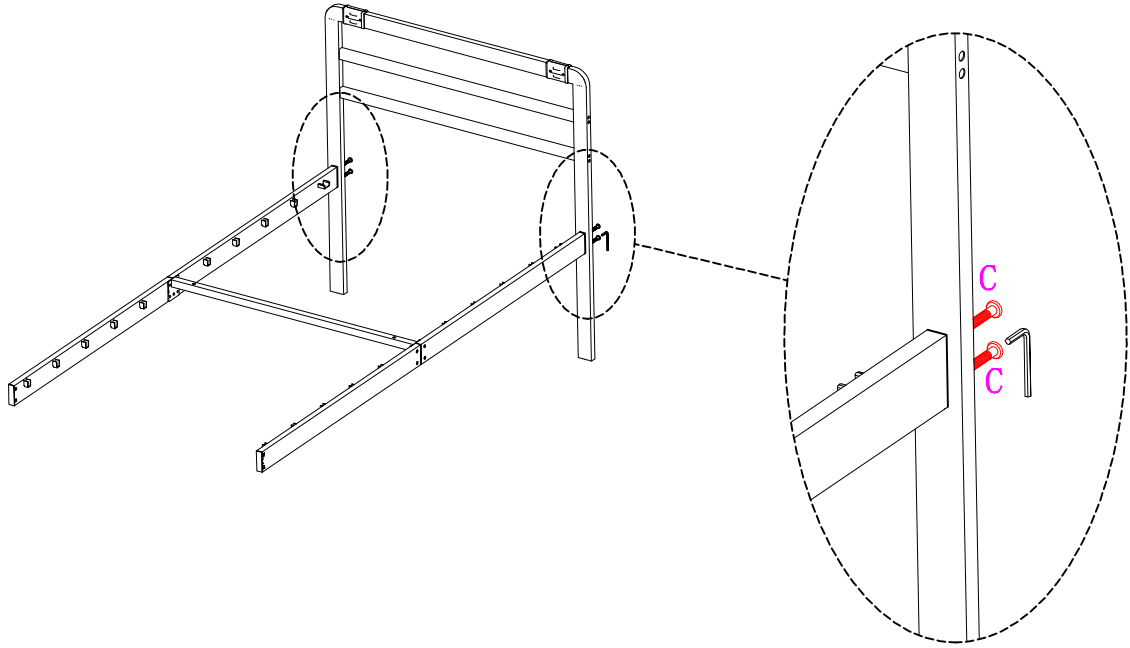


Step4





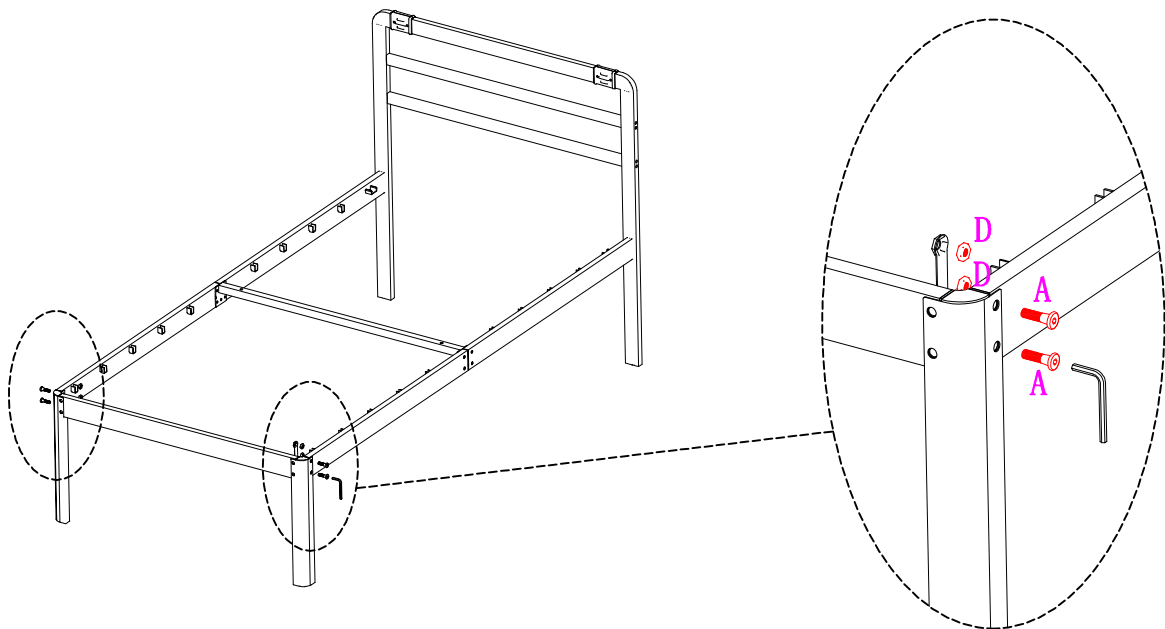
Step5


M8*35
C*4PCS

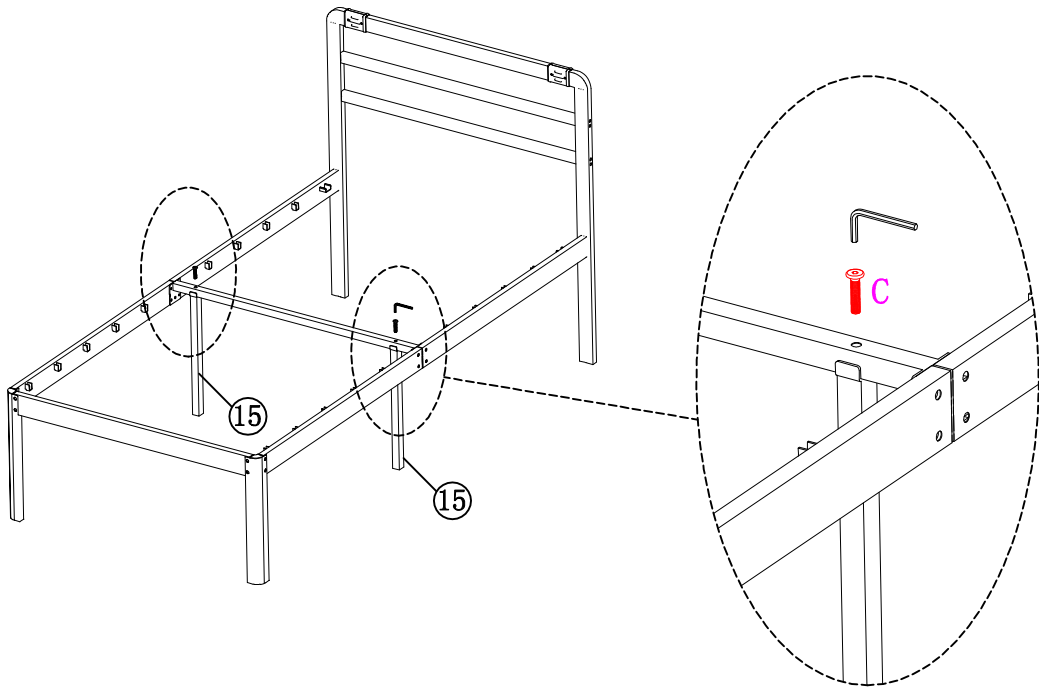
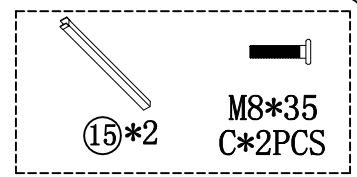


Step6

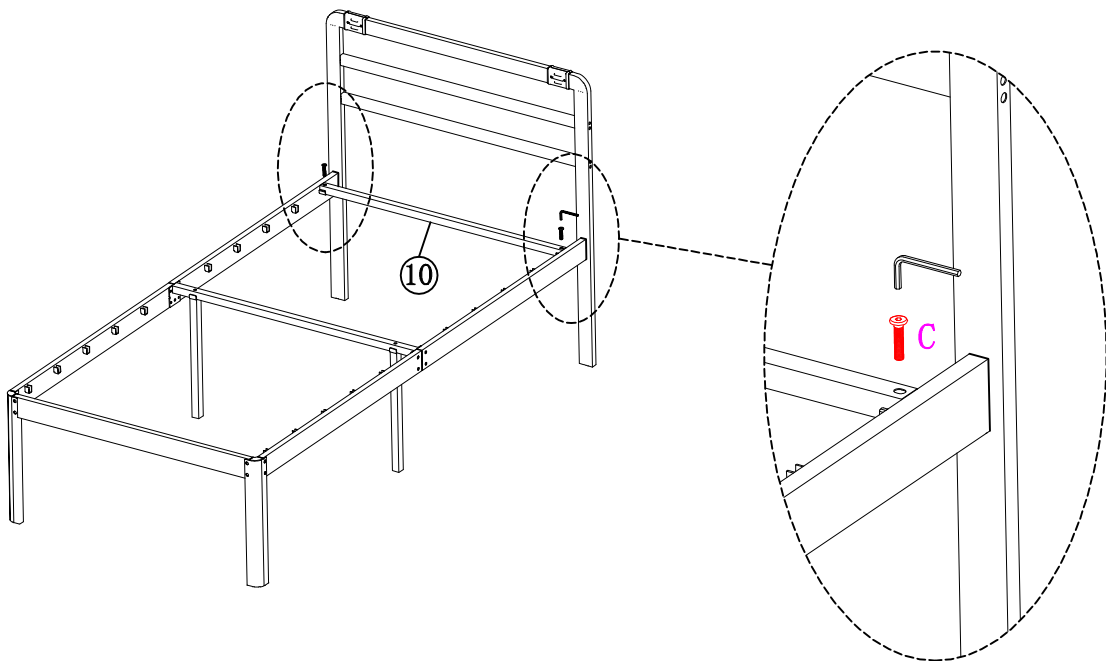
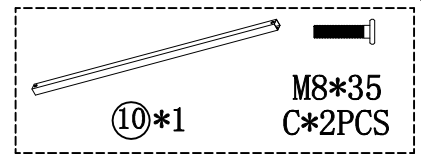
 
M8*32 M8
A*4PCS D*4PCS



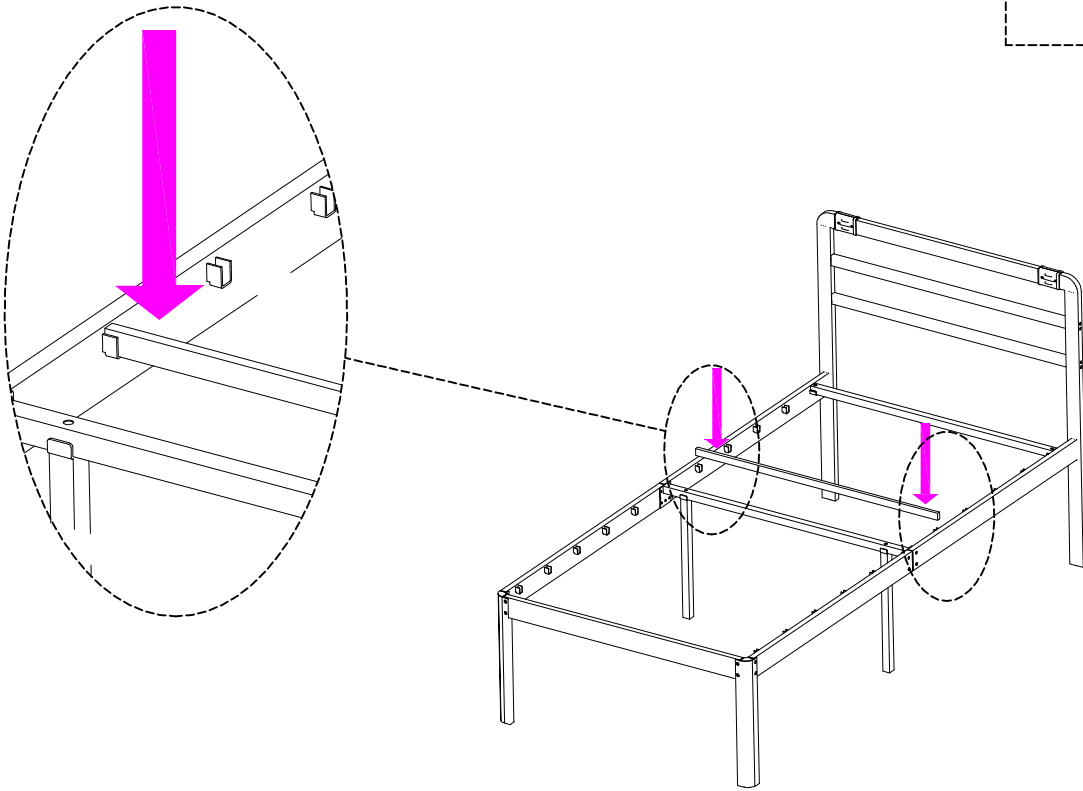
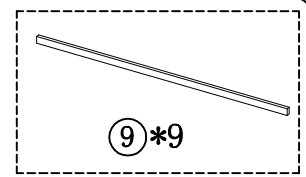
Step7



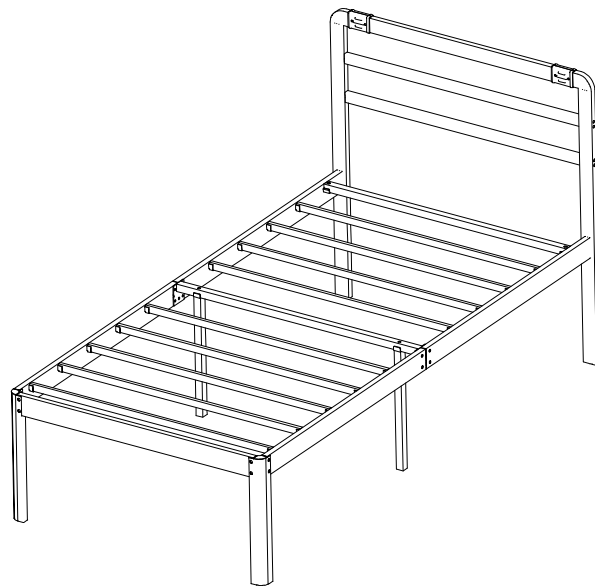
Step8



Step9



Step10



In the last step. please make sure all the screws are tightened.