











Instruction Manual

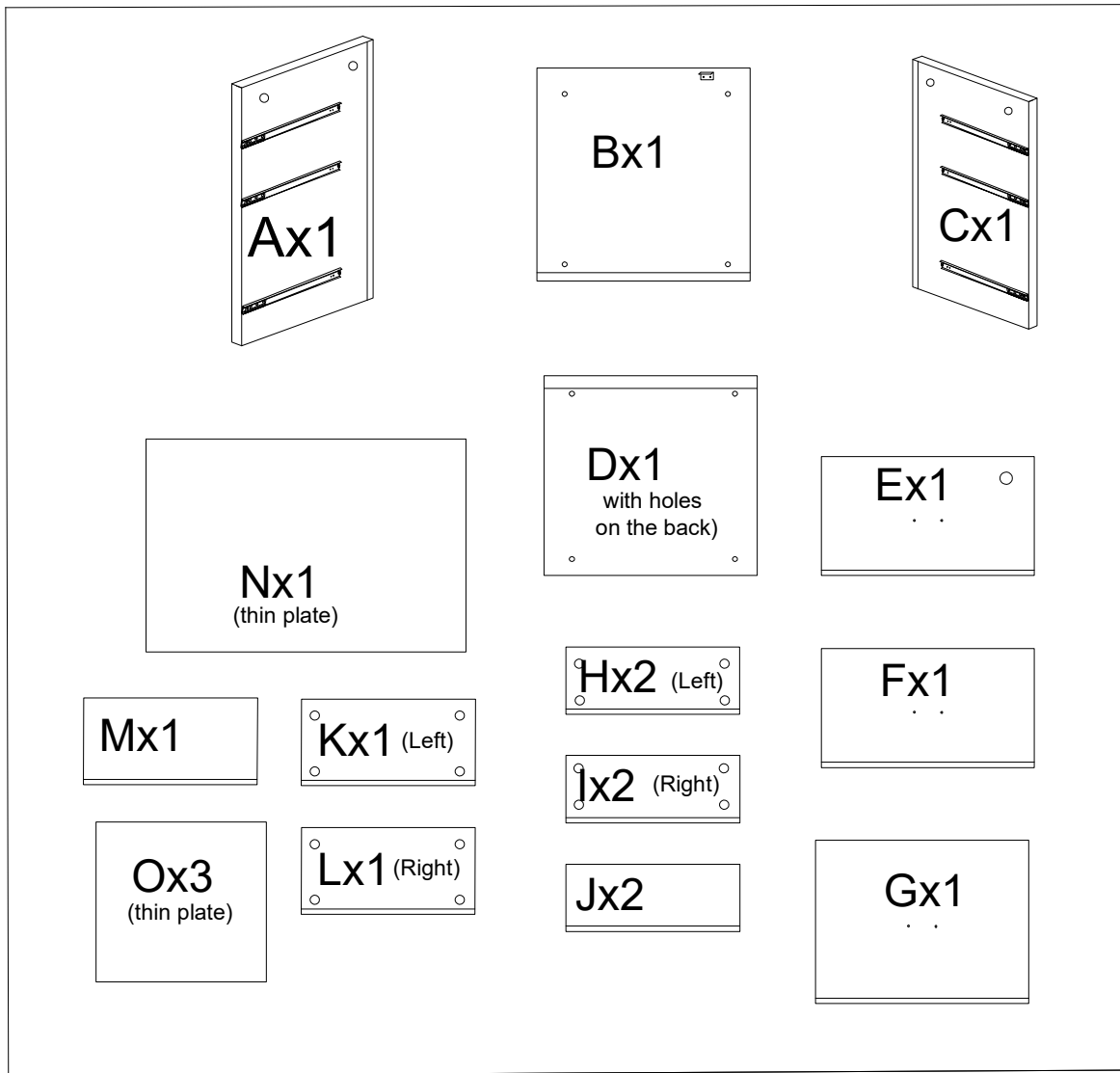


DEAR CUSTOMER,

Thank you for choosing our product. Please read this manual carefully before assembling or using the product, to avoid being damaged by improper use. If the product is passed on to the third parties, this manual has to be passed on along with the product.

PARTS LIST

- | | | | | | | | |
|---|--|----|---|---|---|---|---|
| 1 |  x4 | 2 |  x4 | 3 |  (small) x24 | 4 |  (small) x24 |
| 5 |  x4 | 6 |  x16 | 7 |  x6 | 8 |  x3 |
| 9 |  x4 | 10 |  x4 | | | | |

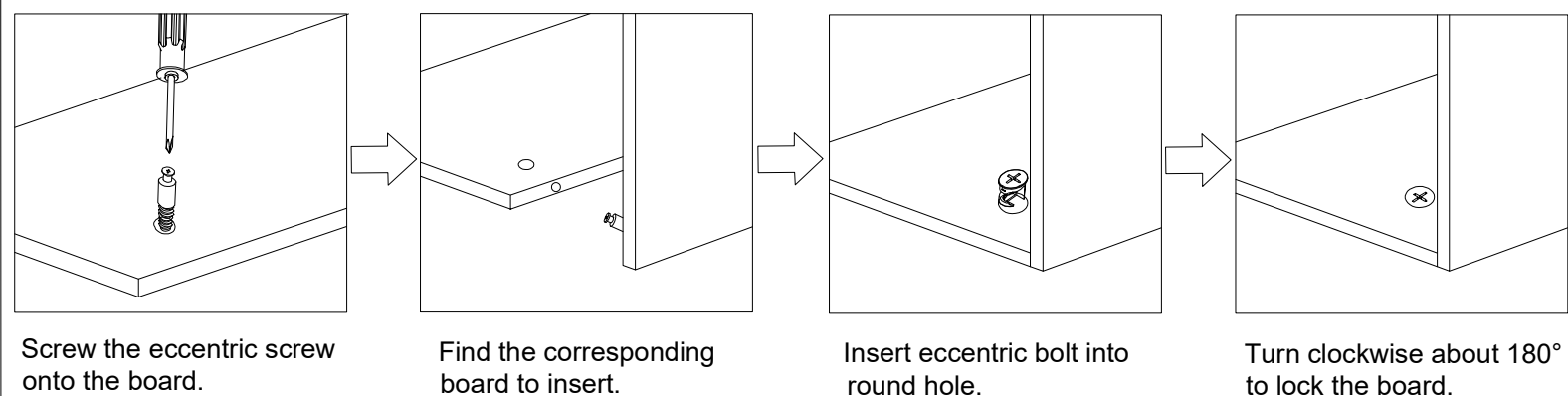


ASSEMBLY

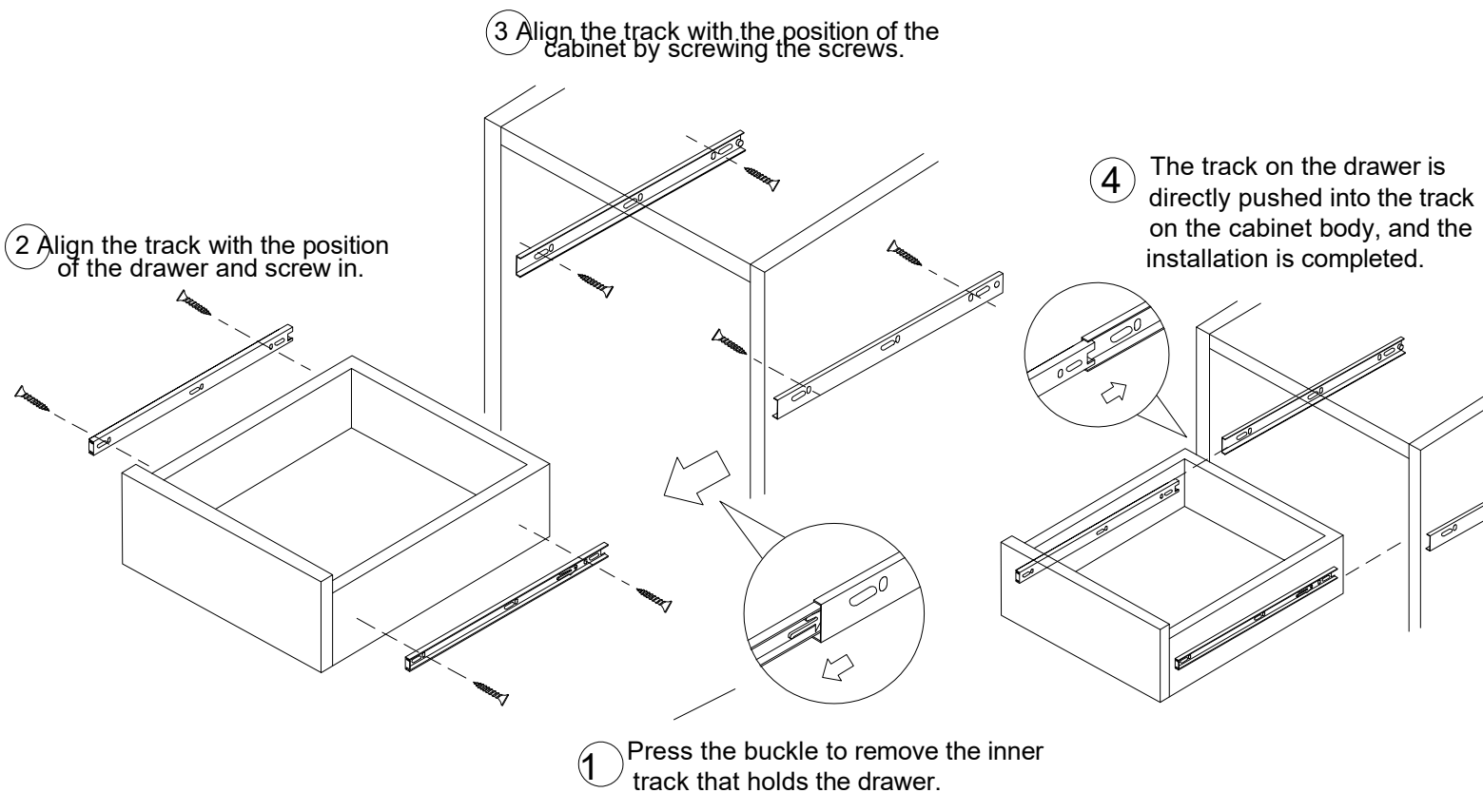
Please check that you have all the parts listed before you start assembling. If you do find that something is missing, please contact your supplier immediately.

Note: Pls do not tighten all bolts until the table is assembled completely!

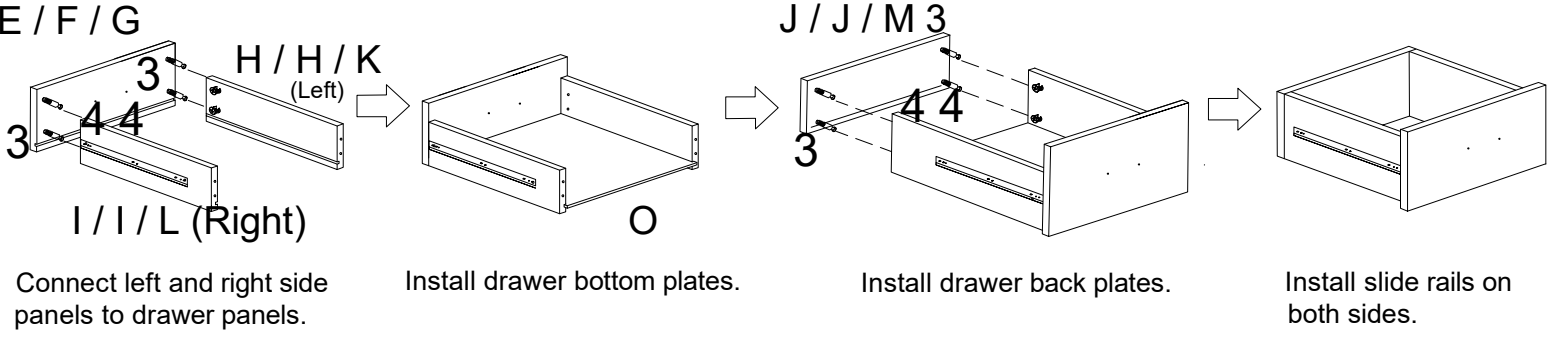
Eccentric installation principle:



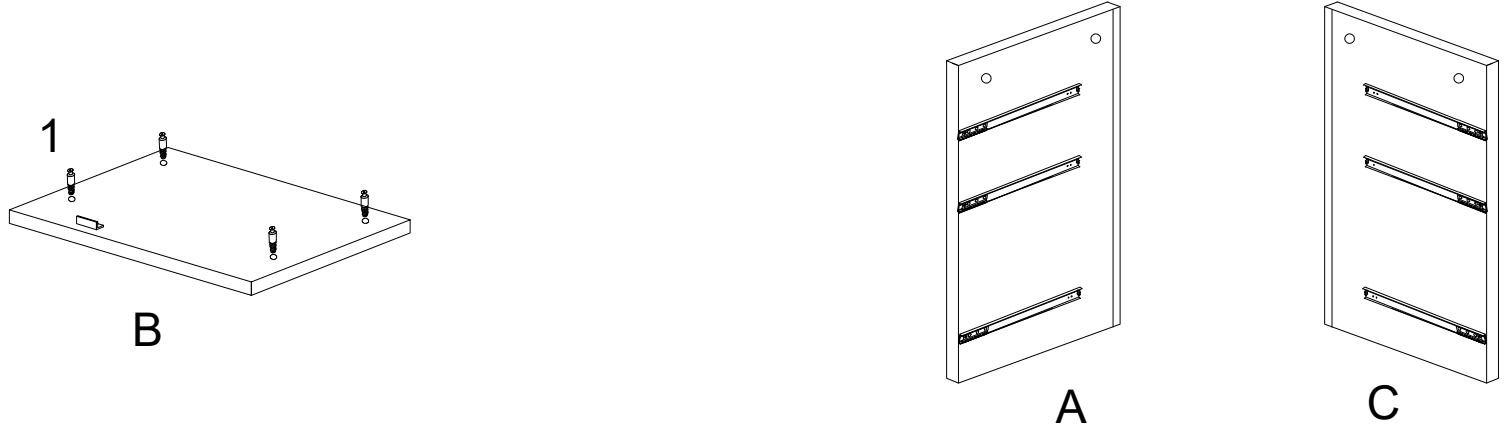
Guide rail installation drawing



Step:1 (Installing drawer) Pay attention to drawer side plate installation do not install reverse; **x3**

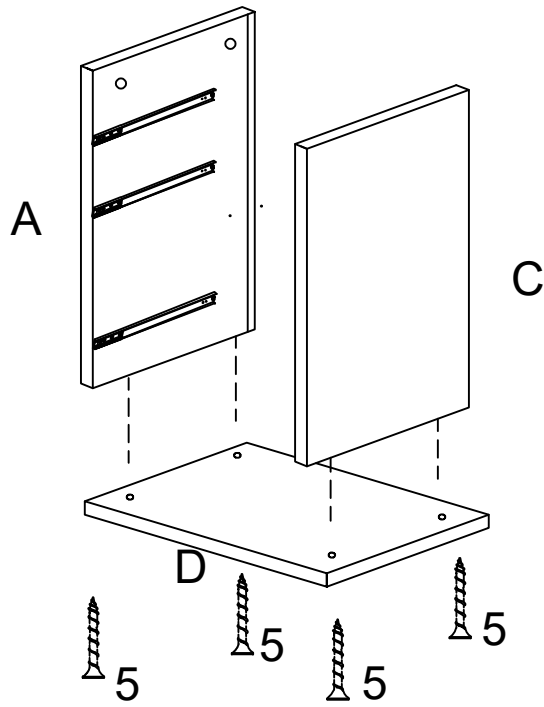


Step:2



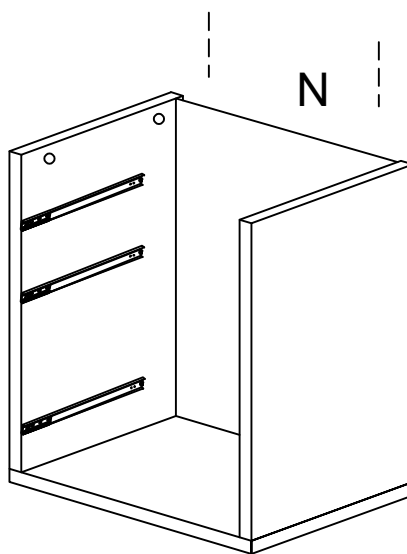
As shown, Fix the fittings on the plate.

Step:3



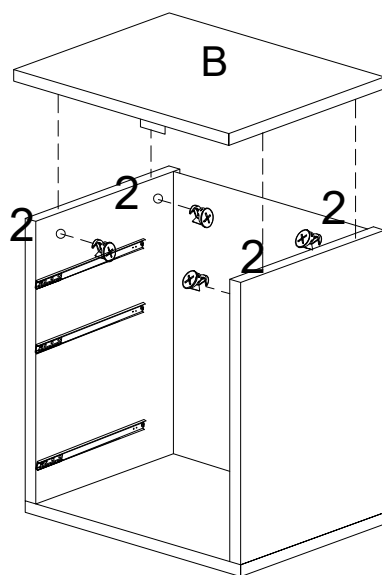
As shown,Connect boards A and C to board D.

Step:4



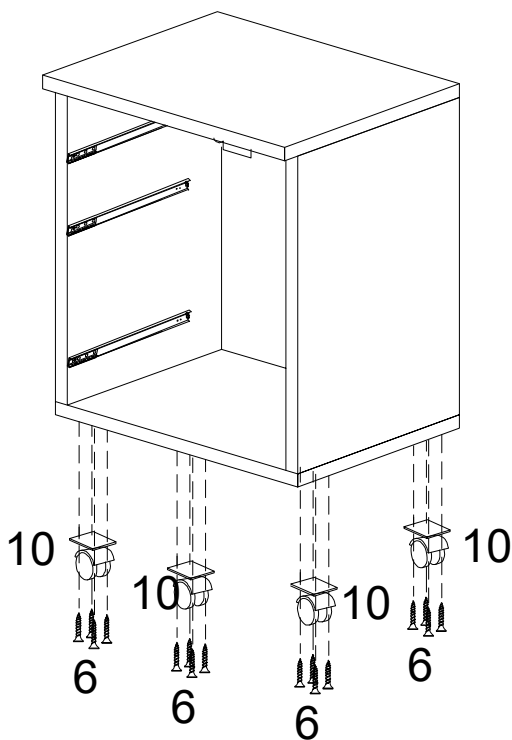
Install the back

Step:5



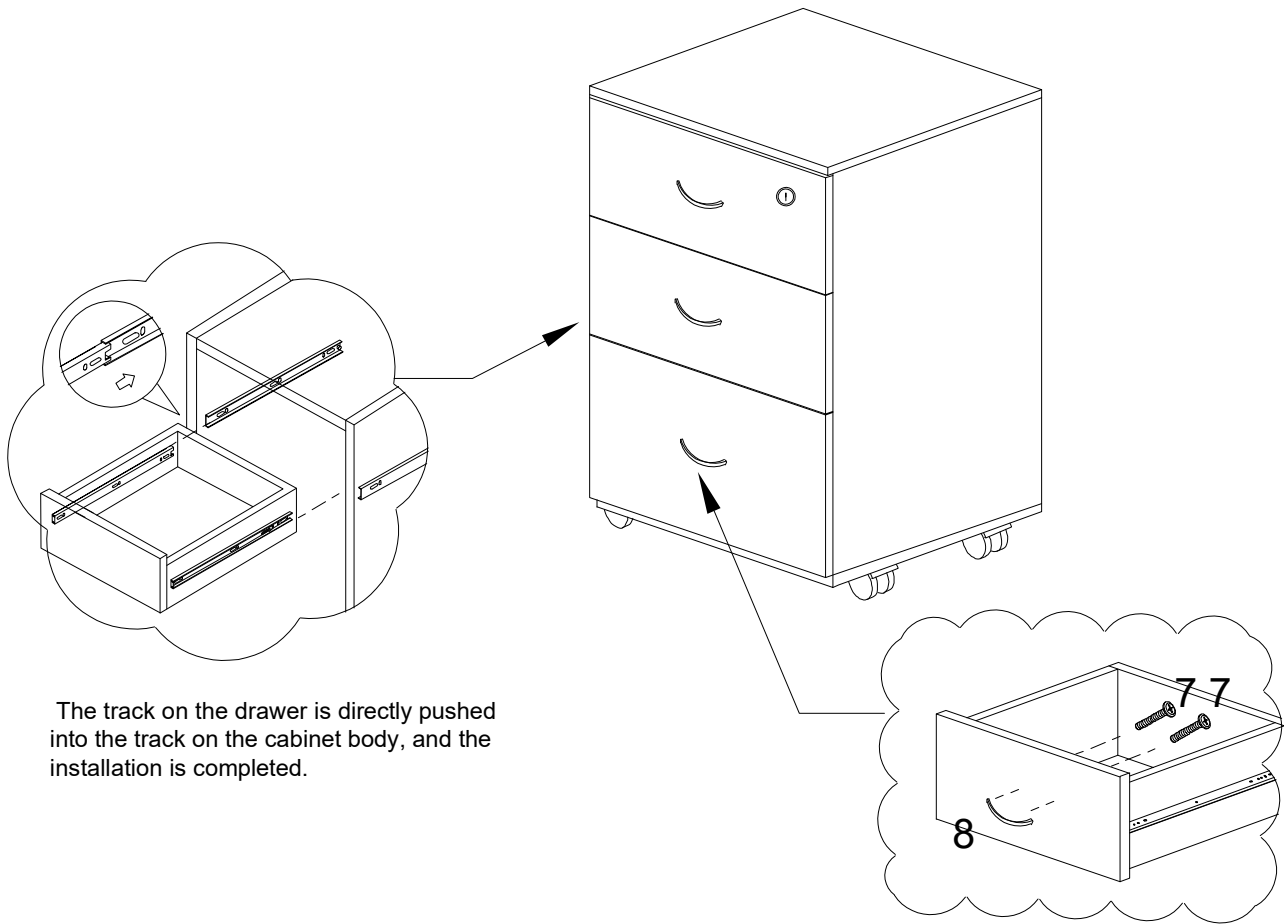
As shown,Connect plate B, then tighten it with fitting 2.

Step:6



As shown,Fix the wheel of accessory 10on the bottom plate through accessory 6.

Step:7

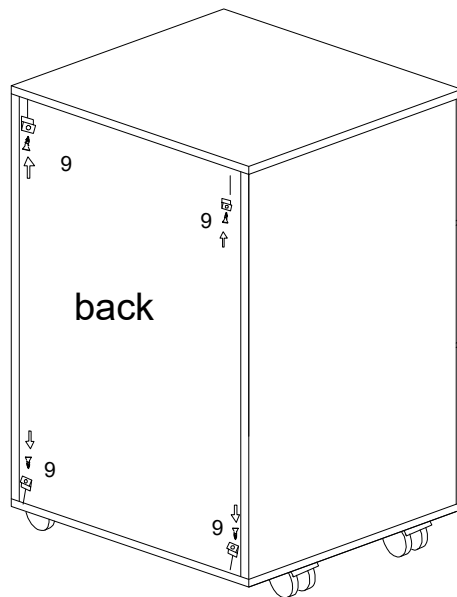


The track on the drawer is directly pushed into the track on the cabinet body, and the installation is completed.

Installation of drawer handle

As shown, install the drawer well.

Step:8



Installation Complete !