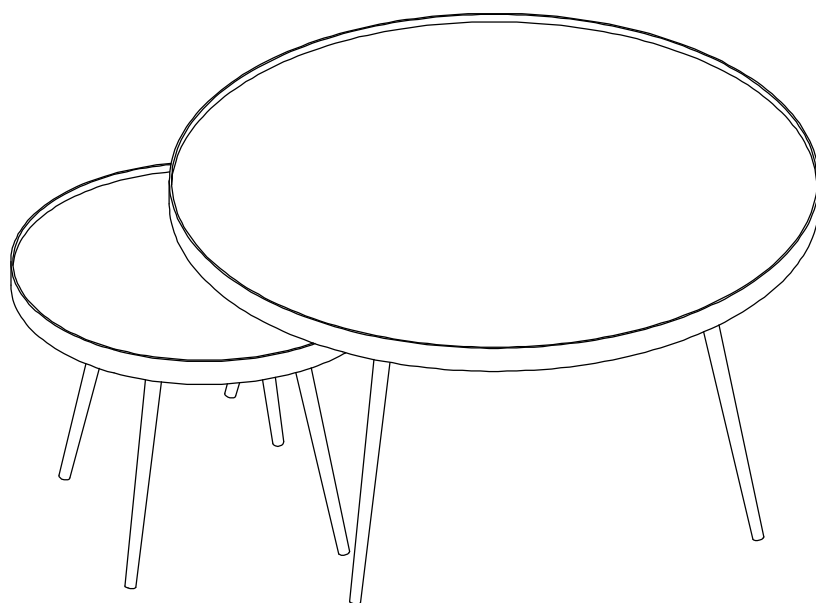


*ASSEMBLY INSTRUCTIONS*



*NG*  
*2PC NESTING COFFEE TABLE*

# ASSEMBLY INSTRUCTIONS

## ASSEMBLY TIPS:

1. Remove hardware from box and sort by size.
2. Please check to see that all hardware and parts are present prior to start of assembly.
3. Please follow attached instructions in the same sequence as numbered to assure fast & easy assembly.



## WARNING!

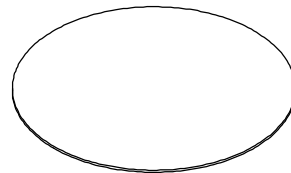
1. Don't attempt to repair or modify parts that are broken or defective. Please contact the store immediately.
2. This product is for home use only and not intended for commercial establishments.

ASSEMBLY TIME 35 MINUTES

## PARTS IDENTIFICATION

AN

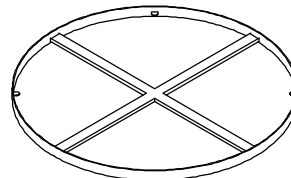
LARGE MIRROR



1PC

B

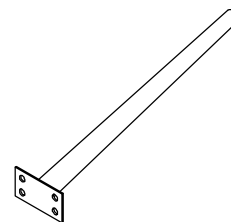
LARGE TOP FRAME



1PC

C

LARGE LEG



4PCS

DN

SMALL MIRROR

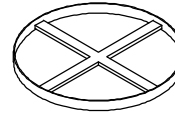


1PC

# ASSEMBLY INSTRUCTIONS

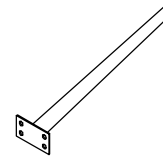
## PARTS IDENTIFICATION

E SMALL TOP FRAME



1PC

F SMALL LEG



4PCS

ZN

## HARDWARE IDENTIFICATION

1 BOLT  
(1/4" x 12mm GD)



32PCS

3 SUCTION CUP



8PCS

2 CAP  
(Ø12mm BLK)



8PCS

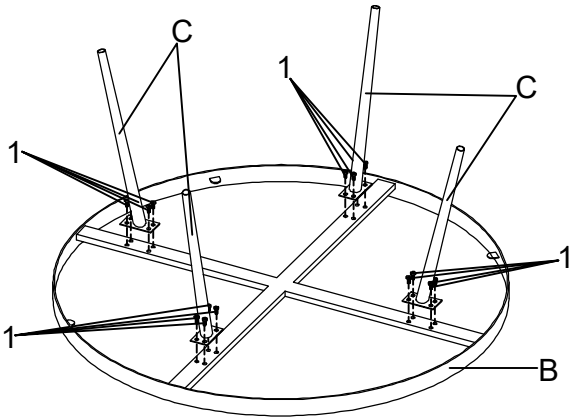
4 ALLEN WRENCH  
(4mm)



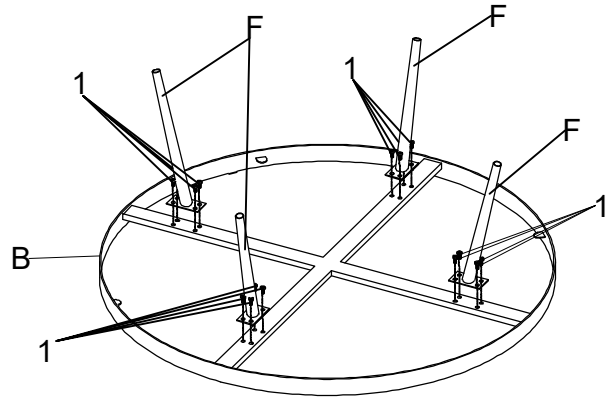
1PC

# STEP 1

Do not tighten until each step is completed or instructed.

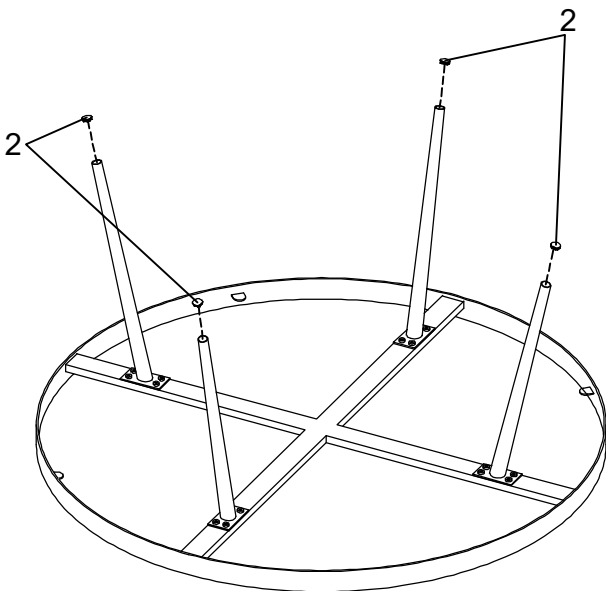


OPTION1

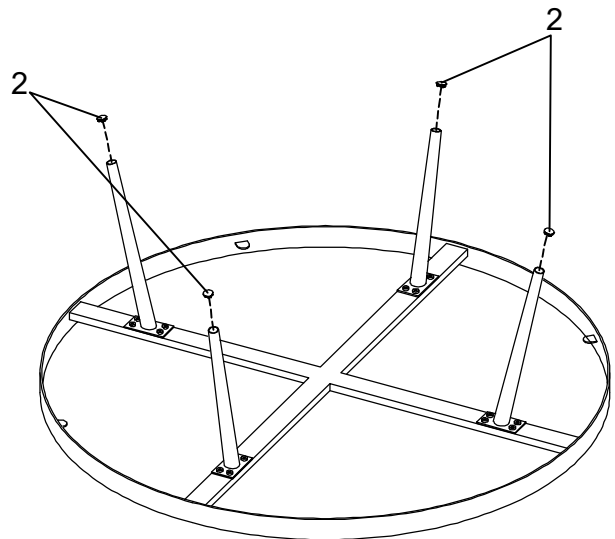


OPTION2

# STEP 2

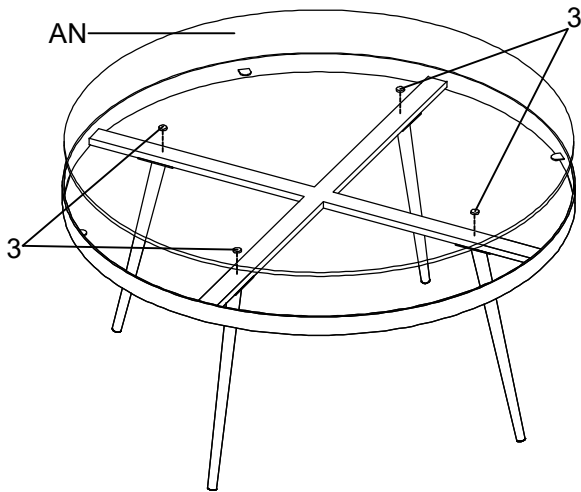


OPTION1

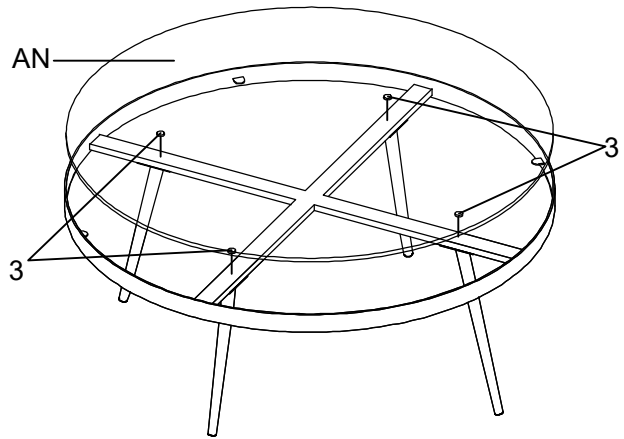


OPTION2

### STEP 3

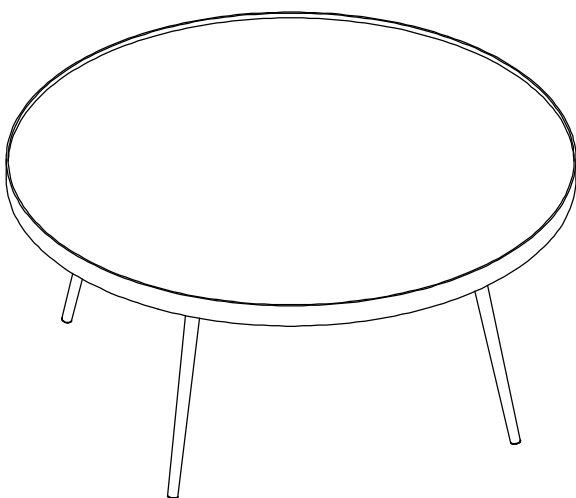


OPTION1

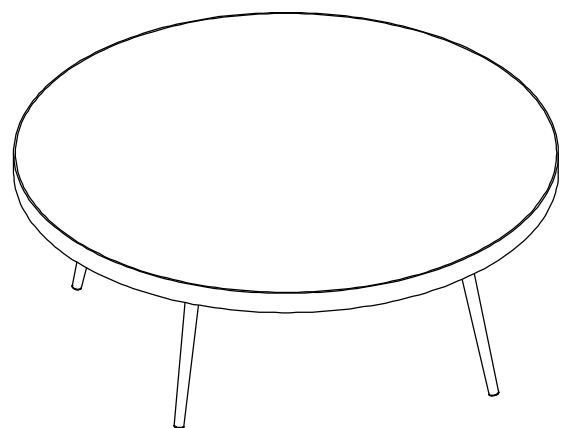


OPTION2

### STEP 4 COMPLETE

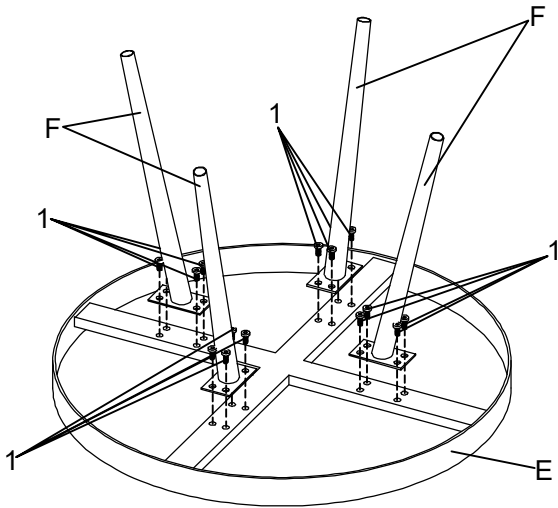


OPTION1

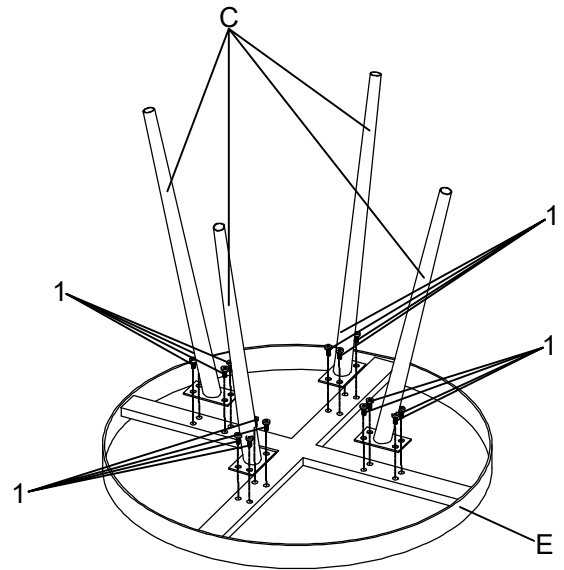


OPTION2

# STEP 5

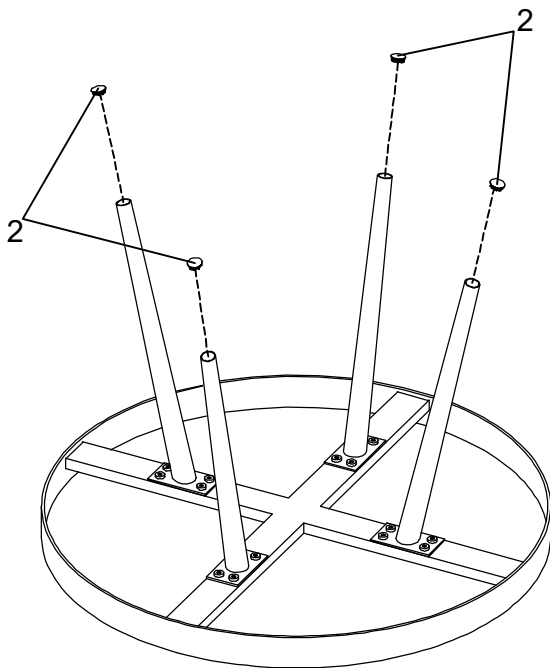


OPTION1

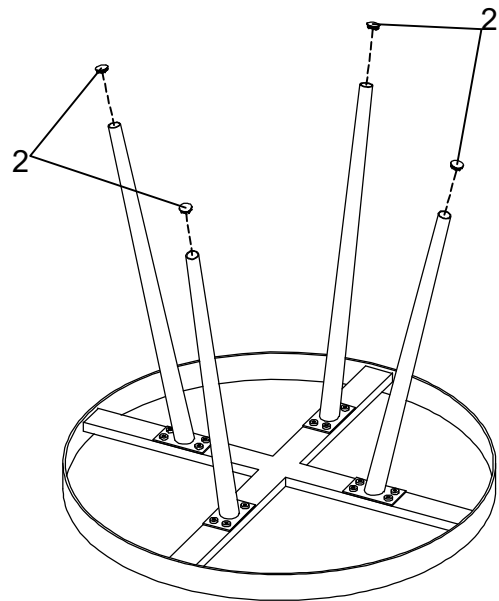


OPTION2

# STEP 6

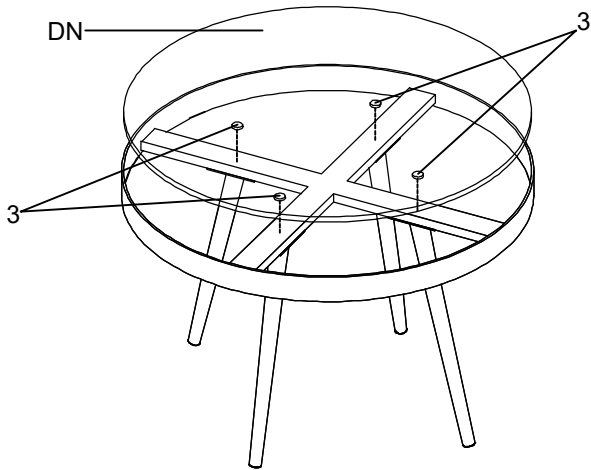


OPTION1

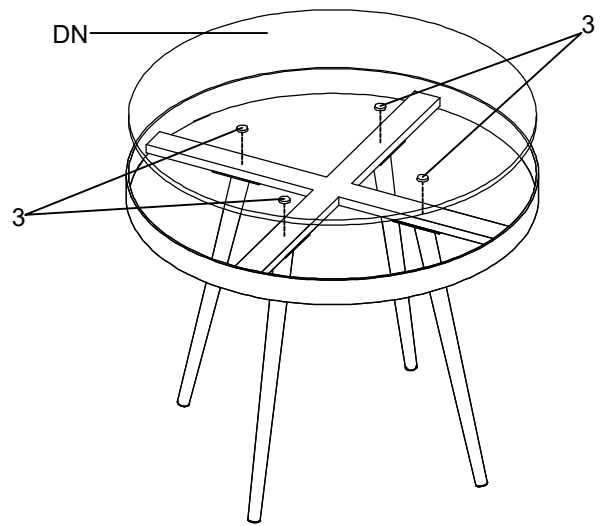


OPTION2

STEP 7

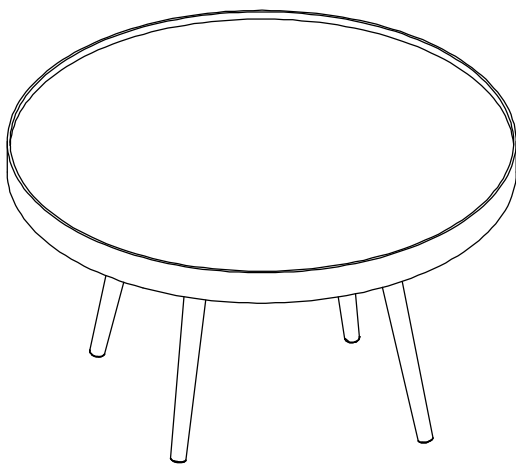


OPTION1

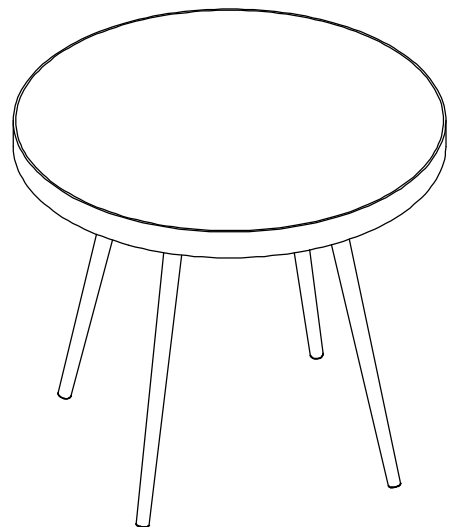


OPTION2

STEP 8  
COMPLETE



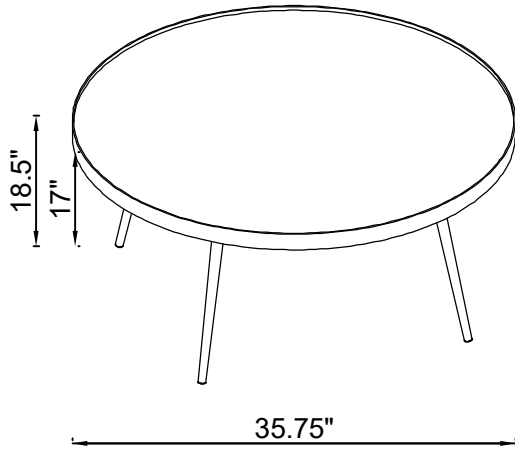
OPTION1



OPTION2

**Product Size : 908 DIA X 470 H (MM)**

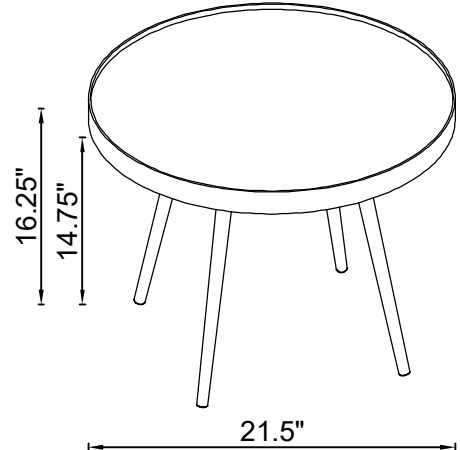
**Product Size : 35.75" DIA X 18.5"**



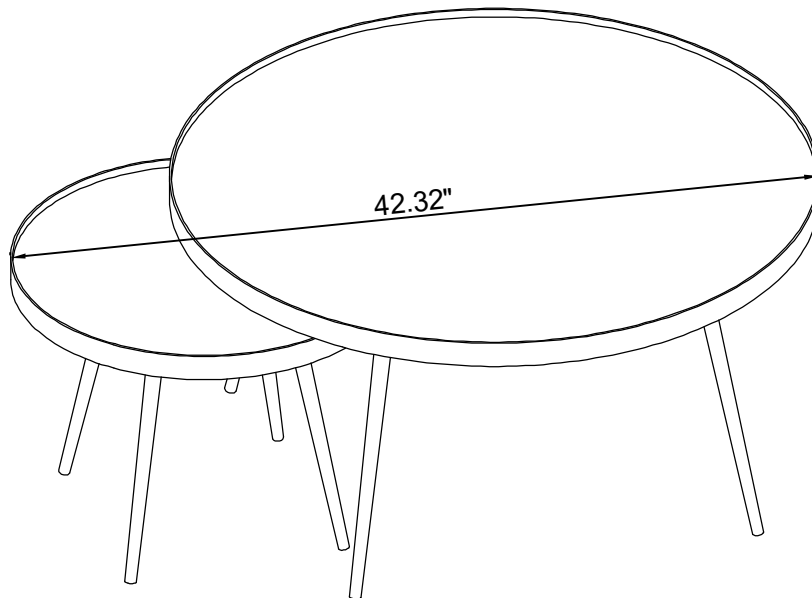
**OPTION1**

**Product Size : 546 DIA X 413 H (MM)**

**Product Size : 21.5" DIA X 16.25"**



**OPTION1**



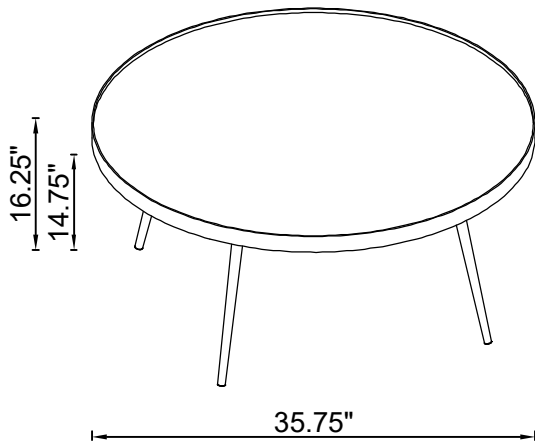
Note : Dimension tolerance  $\pm 5\%$

**Product Size : 908 DIA X 413 H (MM)**

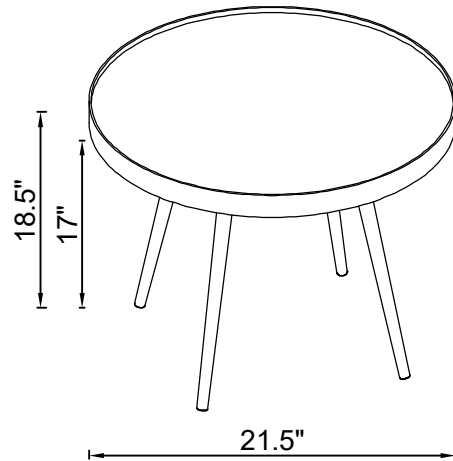
**Product Size : 35.75" DIA X 16.25"**

**Product Size : 546 DIA X 470 H (MM)**

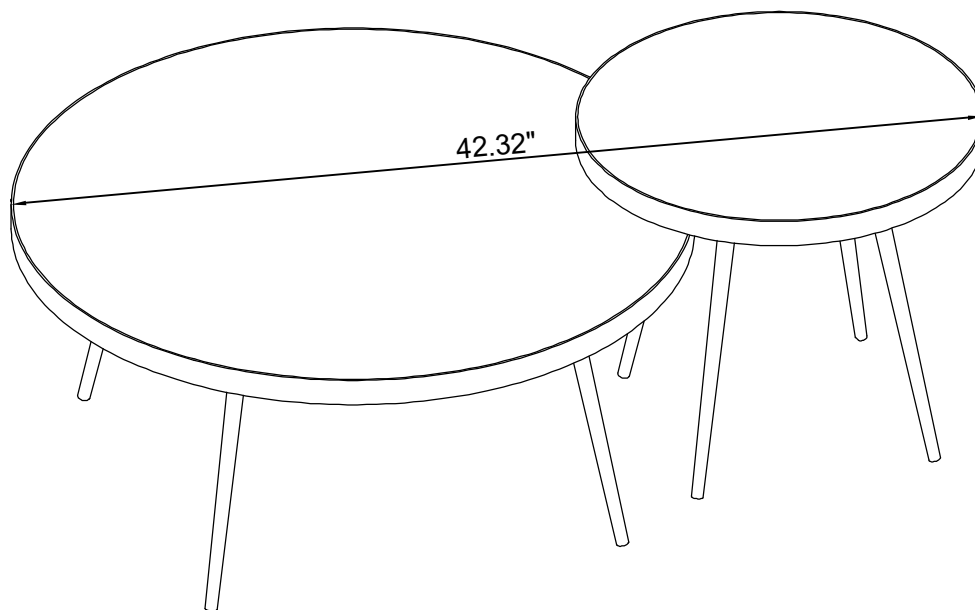
**Product Size : 21.5" DIA X 18.5"**



**OPTION2**



**OPTION2**



Note : Dimension tolerance  $\pm 5\%$

**OPTION2**