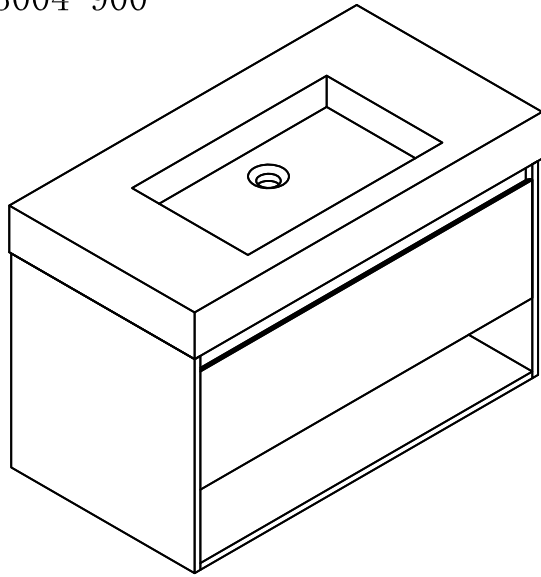


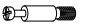







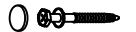





Assembly Instruction

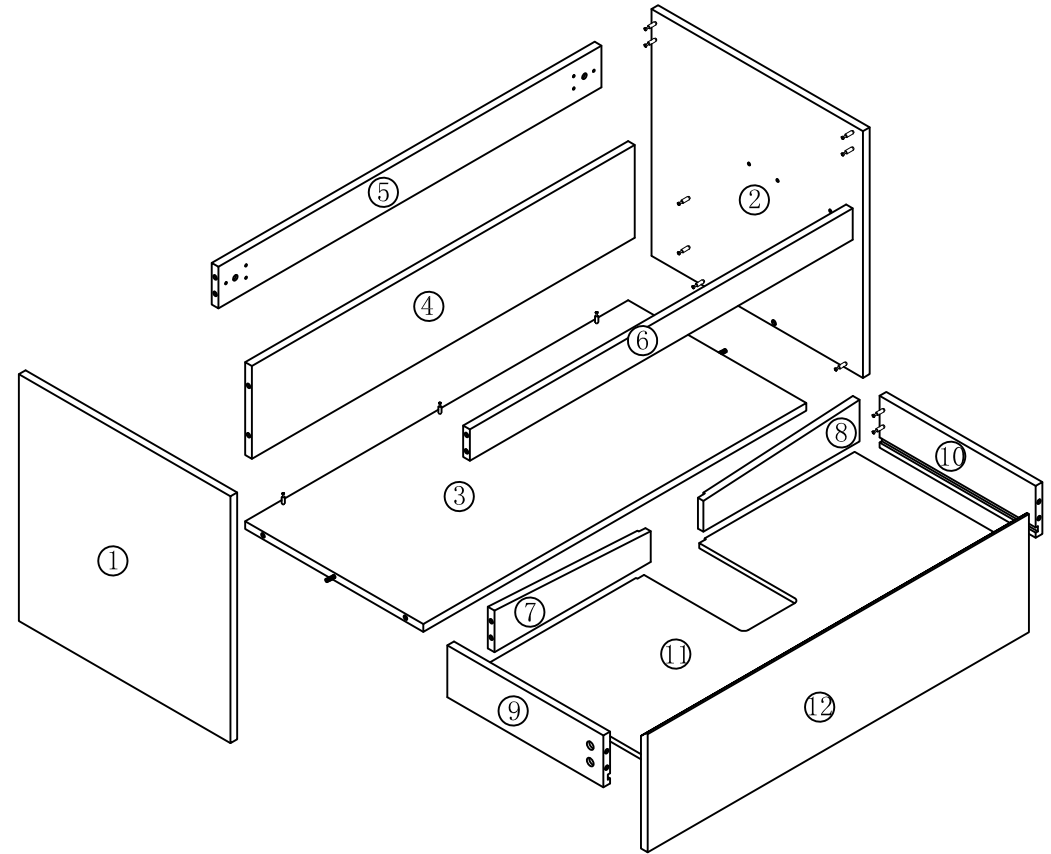
Item No.: FS-3004-900



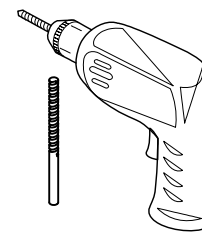
Part List

NO.	Draw	QTY	NO.	Draw	QTY
A	 Screws $\phi 4 \times 14 \text{mm}$	34	H	 Bracket (19x19x35mm)	2
B	 Two-in-one connector	27	I	 I-L Track	1
C	 Two-in-one connector	27	J	 U-Shaped plastic	1
D	 Wood plug	2	K	 Screws $\phi 4 \times 20 \text{mm}$	6
E	 Plastic anchor ($\phi 10 \text{mm}$)	2	L	 Screws $\phi 4 \times 10 \text{mm}$	7
F	 Screws for fix on the wall	2	M	 Anti-collision gasket	2
G	 Bracket (53x70x44mm)	2	N	 Screwdriver	1

Replacement parts



Recommended tools You Will Need-Outils Requis



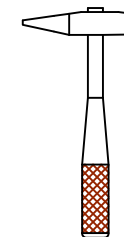
Power drill



Silicone



Screwdriver

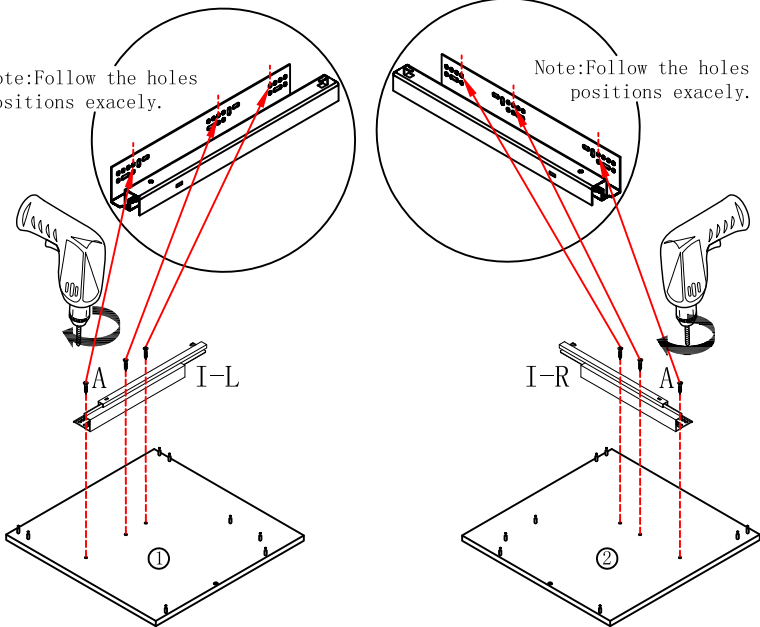


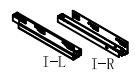
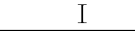
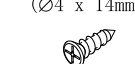
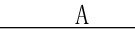

Hammers

Step 1

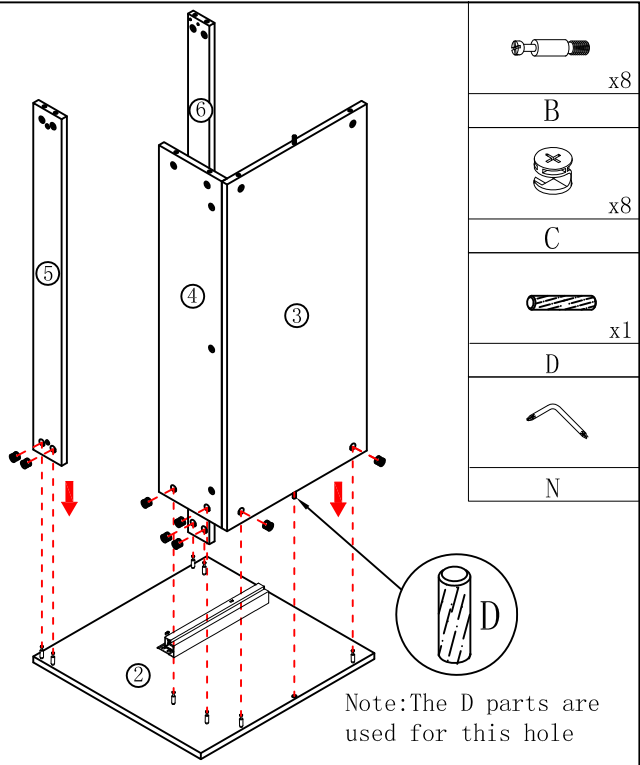
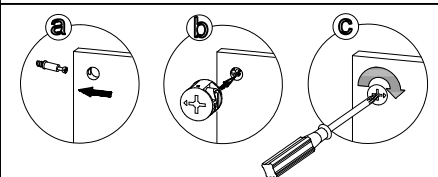
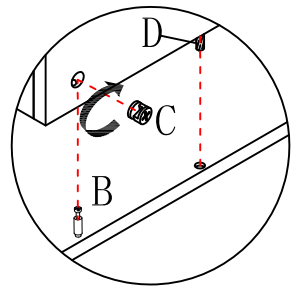
Note: Follow the holes positions exactly.

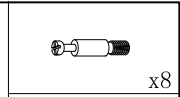
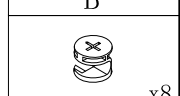
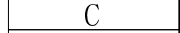
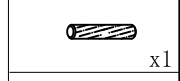
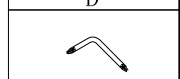
Note: Follow the holes positions exactly.



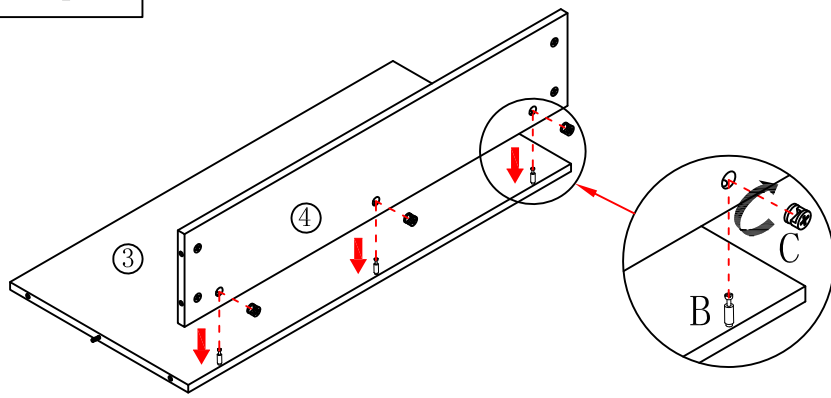
-  I-L I-R x1
-  I
-  (Ø4 x 14mm) x6
-  A
-  N

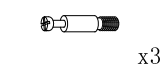
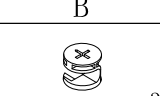
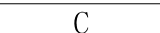

Step 3



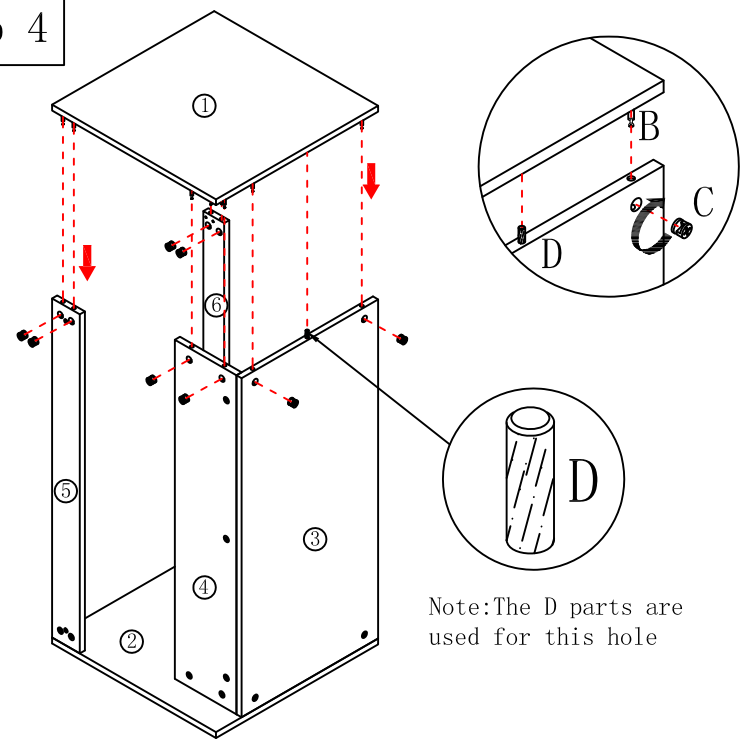
-  B x8
-  x8
-  C
-  D x1
-  N

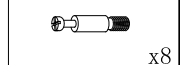
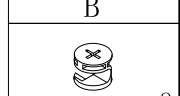
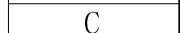
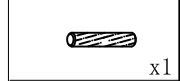
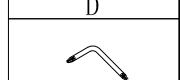
Step 2

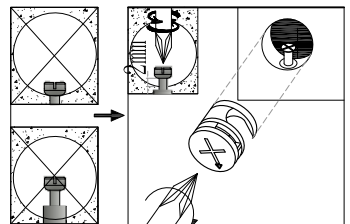


-  B x3
-  x3
-  C
-  N

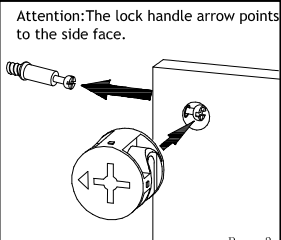
Step 4



-  B x8
-  x8
-  C
-  D x1
-  N

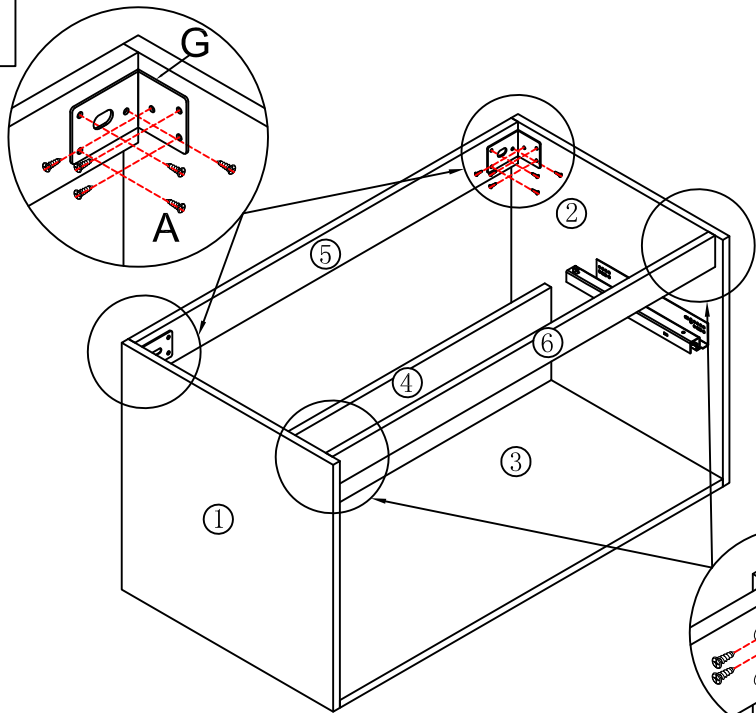




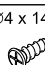

Notes: Screw installation depth as shown

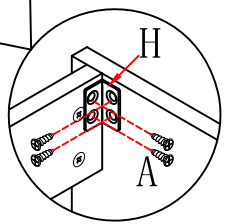


Attention: The lock handle arrow points to the side face.

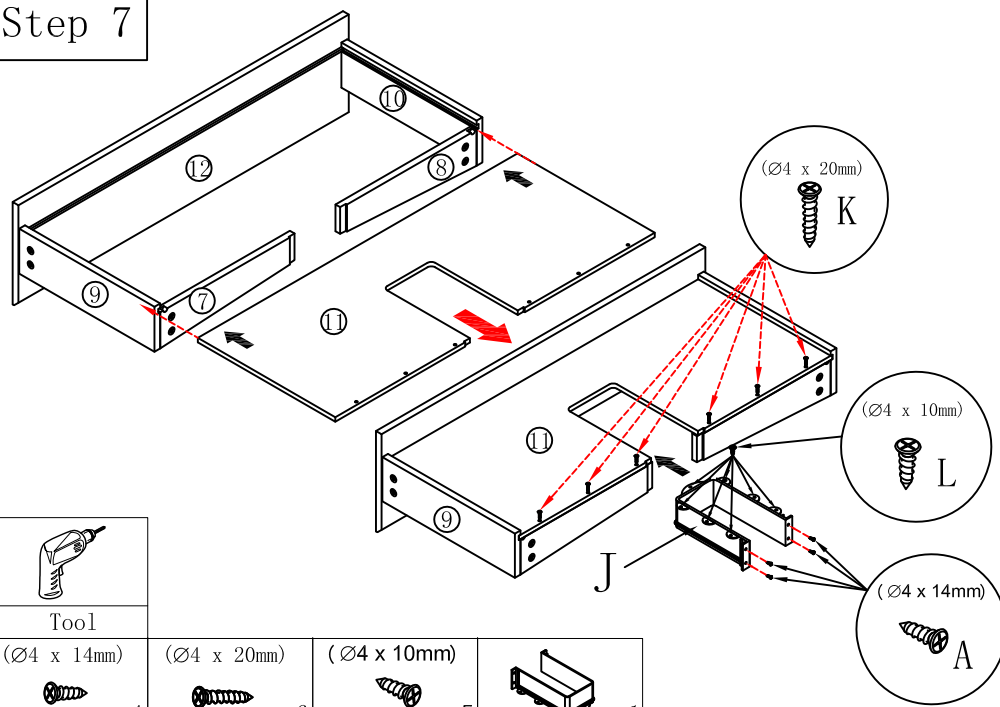
Step 5








-  G x2
-  H x2
($\varnothing 4 \times 14\text{mm}$)
-  A x20
-  Tool

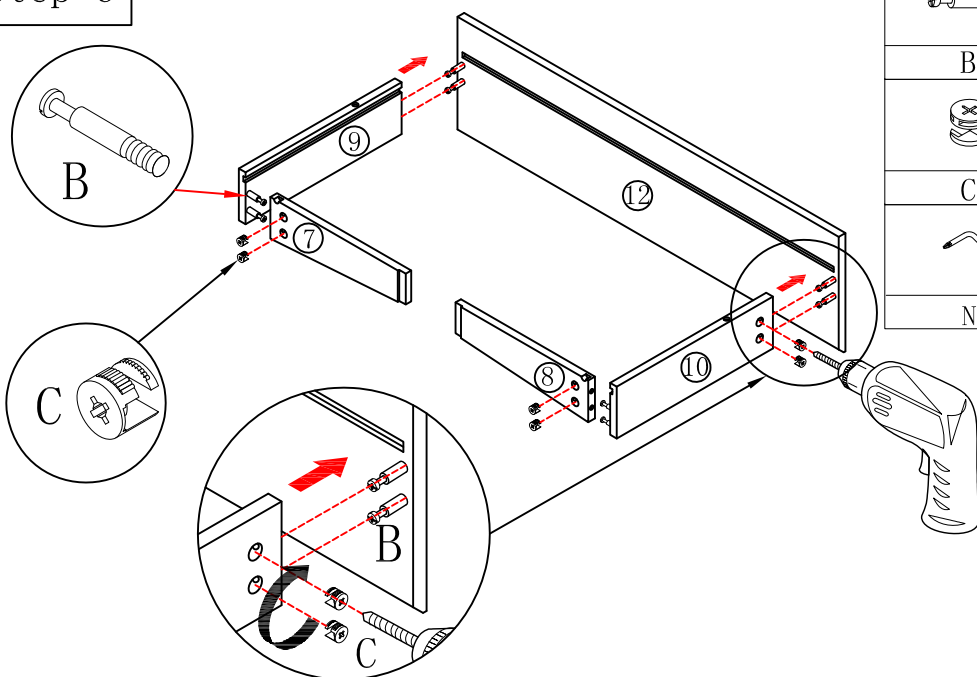


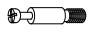


Step 7



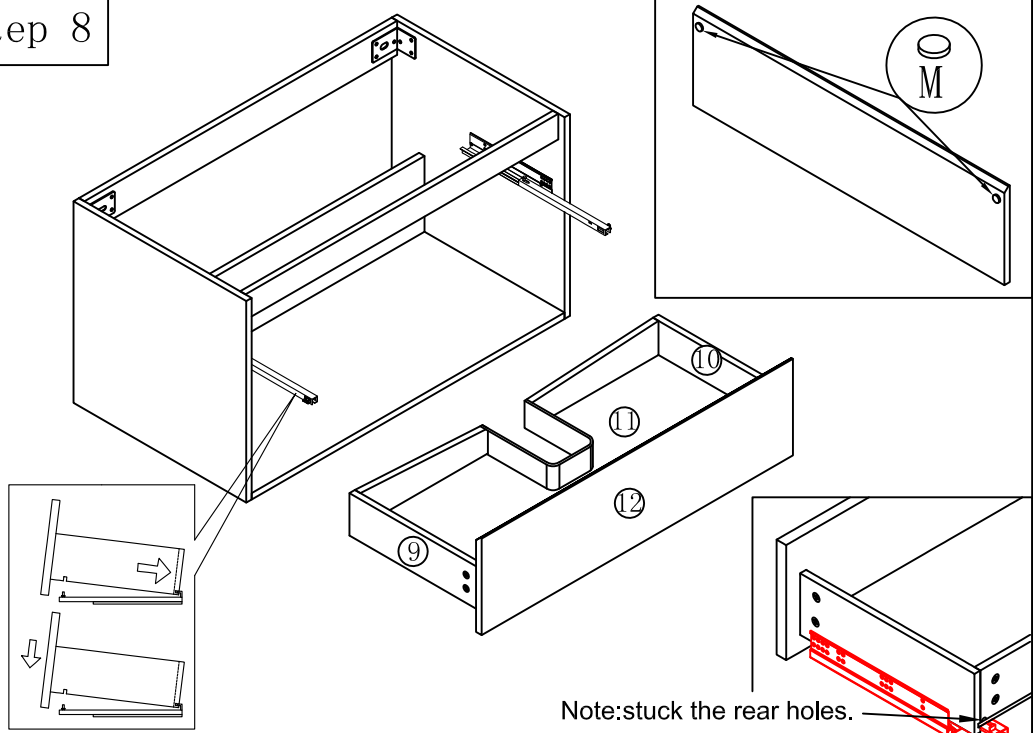
-  Tool
-  A x4 ($\varnothing 4 \times 14\text{mm}$)
-  K x6 ($\varnothing 4 \times 20\text{mm}$)
-  L x7 ($\varnothing 4 \times 10\text{mm}$)
-  J x1

Step 6



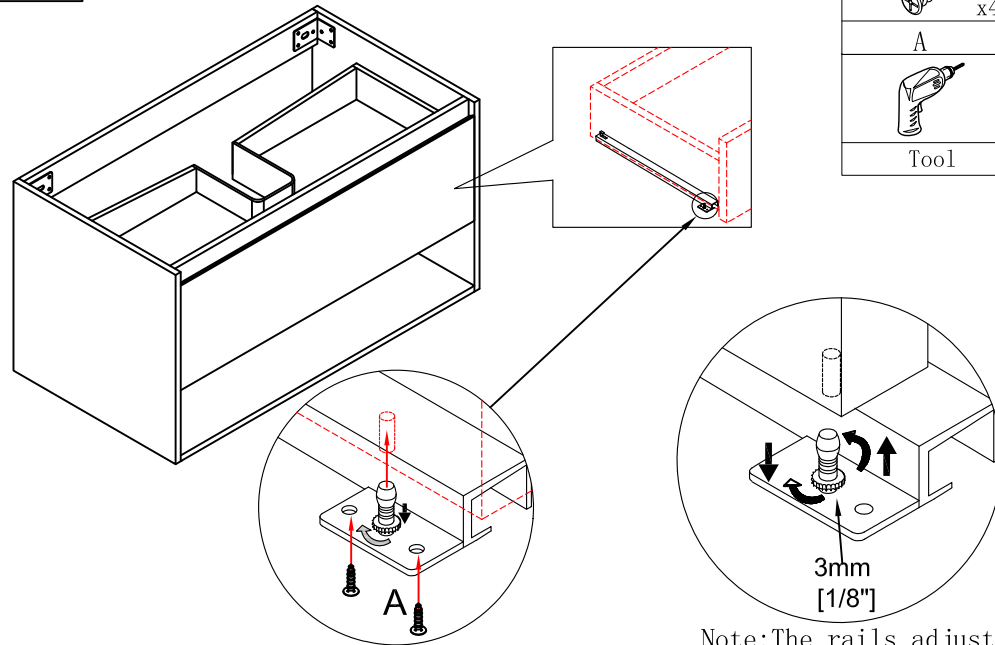
-  B x8
-  C x8
-  N

Step 8



Note: stuck the rear holes.

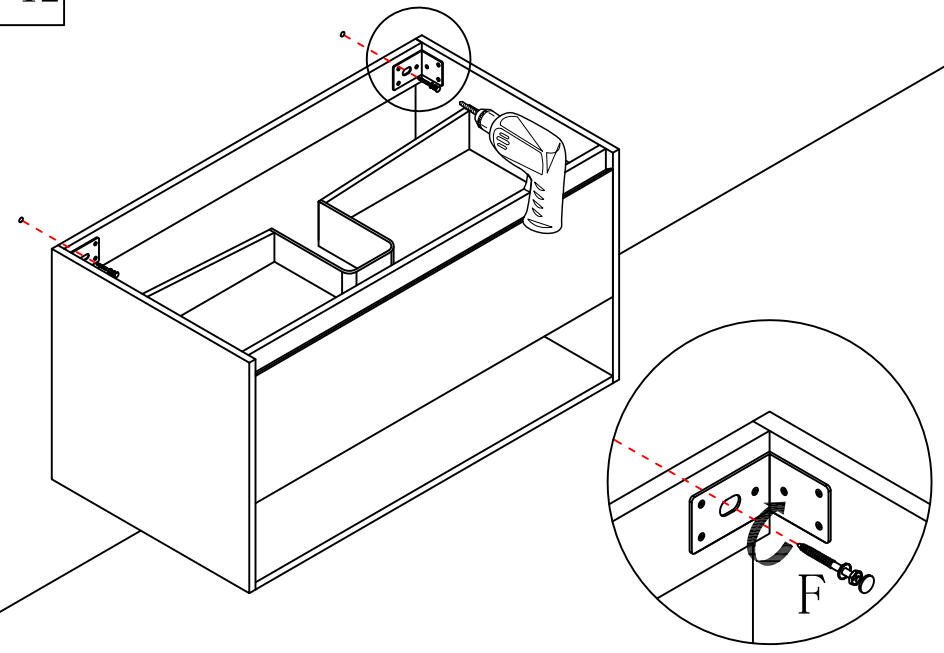
Step 9



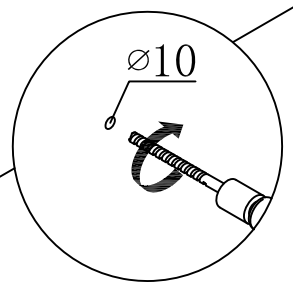
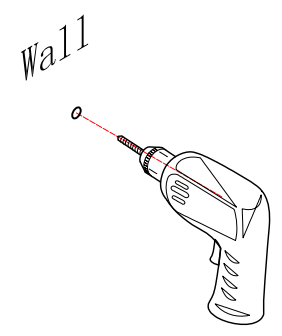
Note: The bottom of the rail is fixed with screw A

Note: The rails adjust their height 3mm.

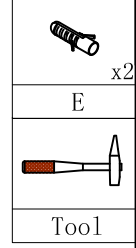
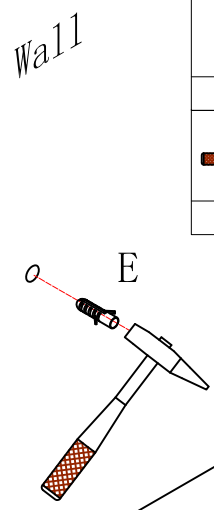
Step 12



Step 10



Step 11



Finished

