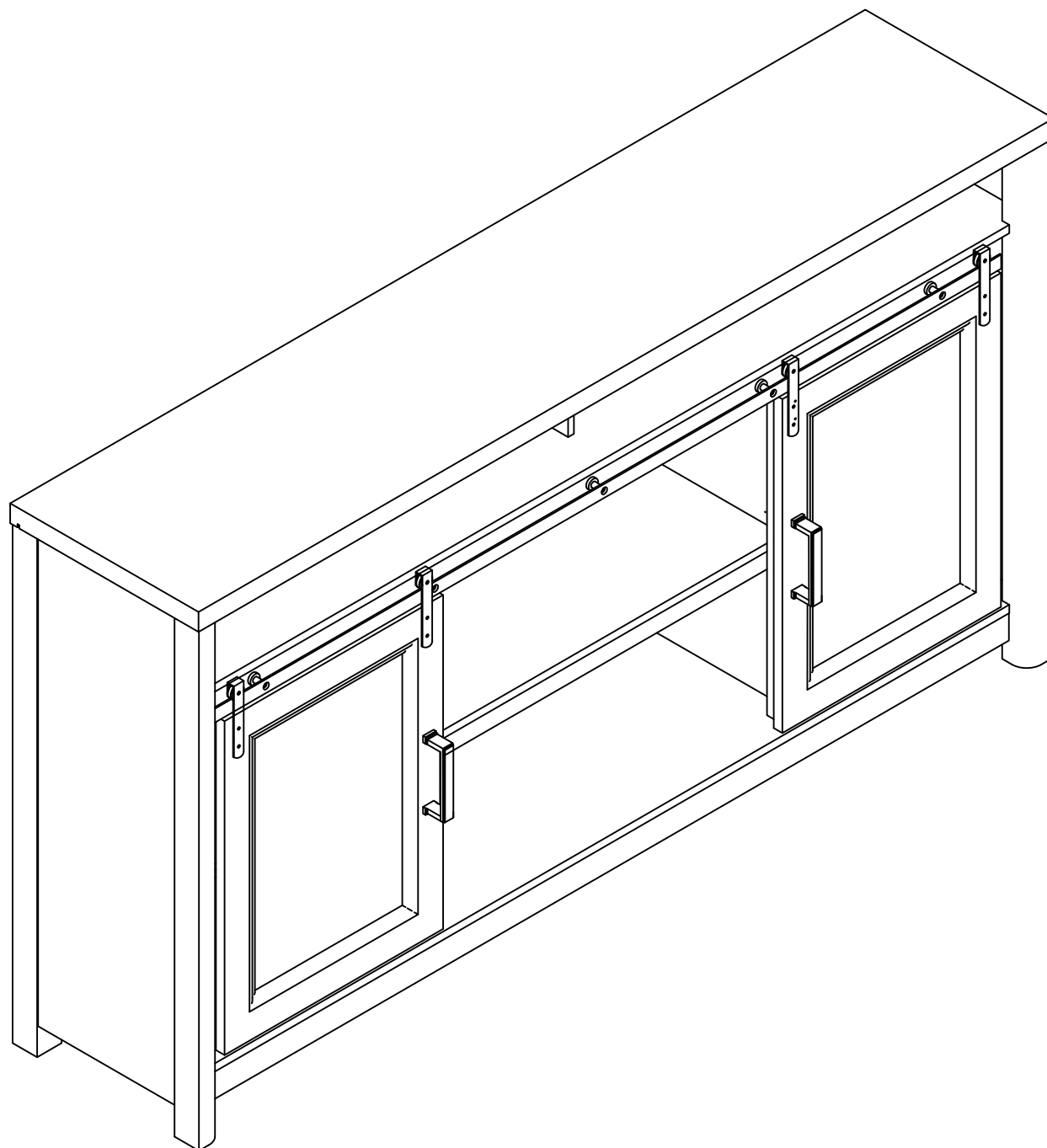
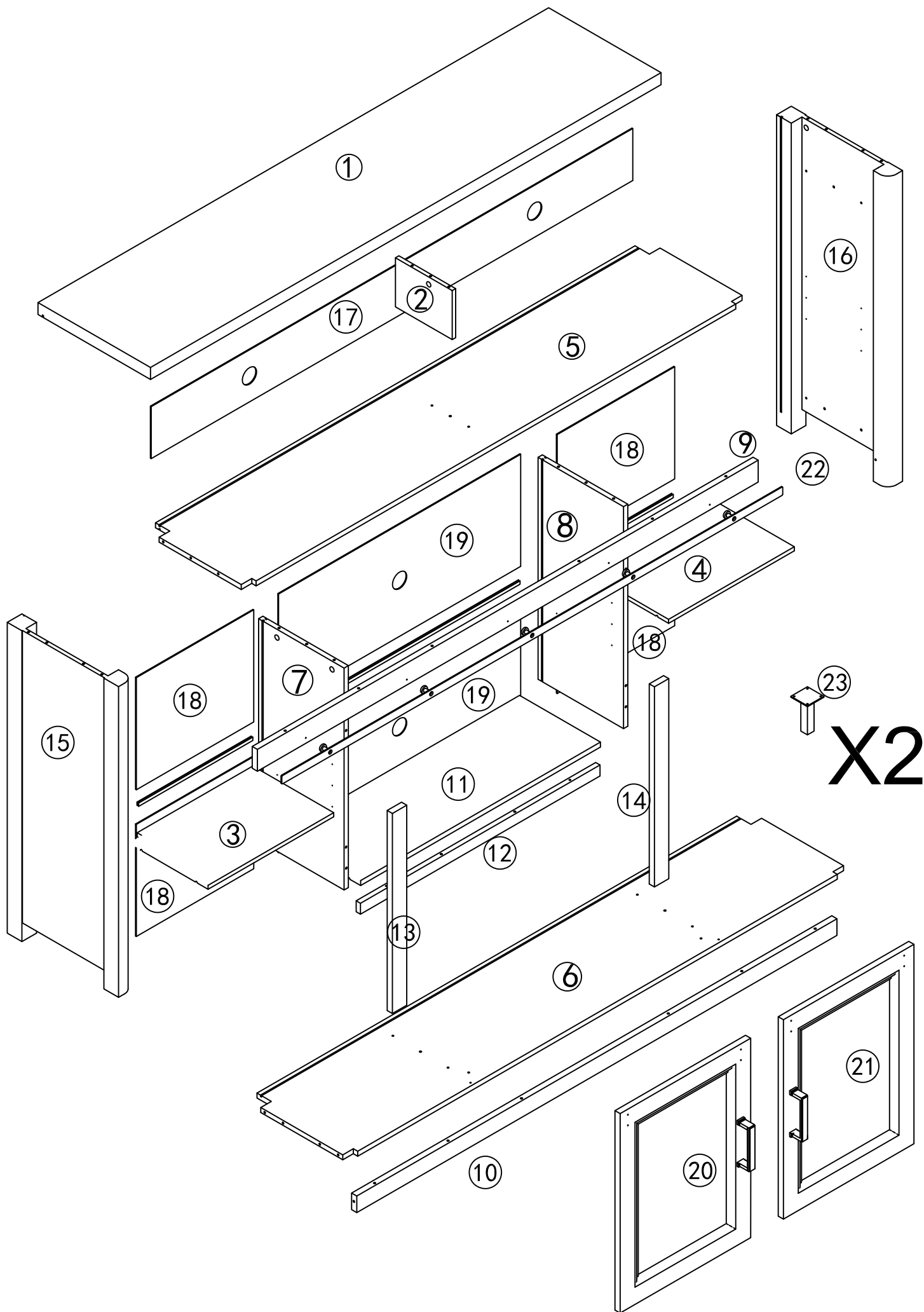
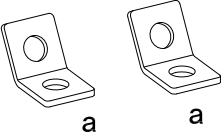

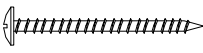
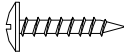

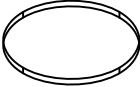

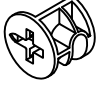
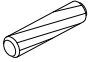

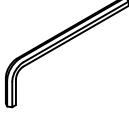
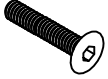

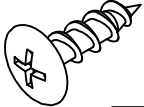
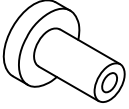
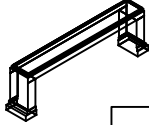
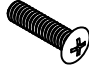
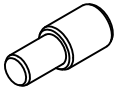
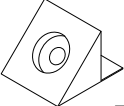

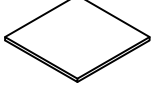

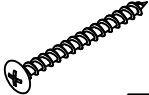
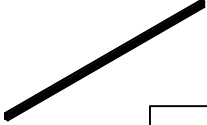
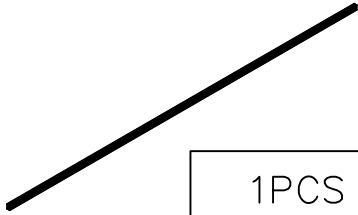


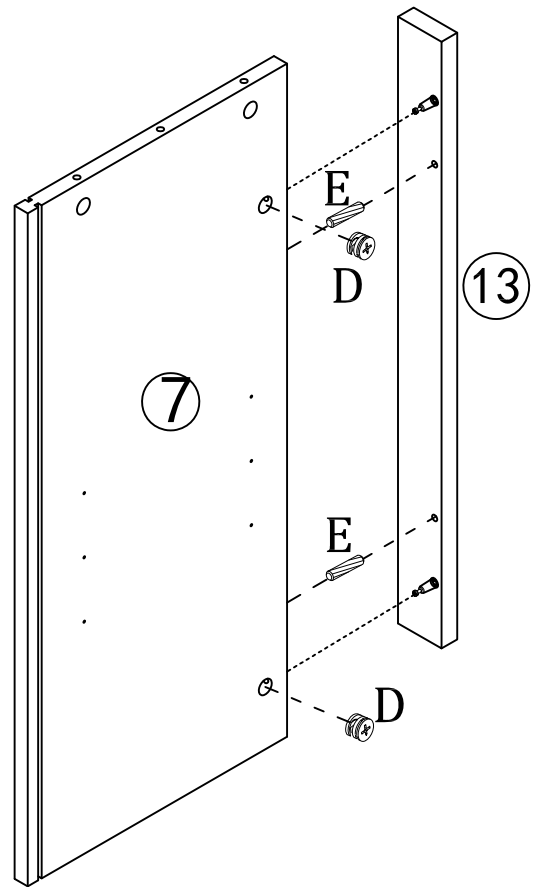
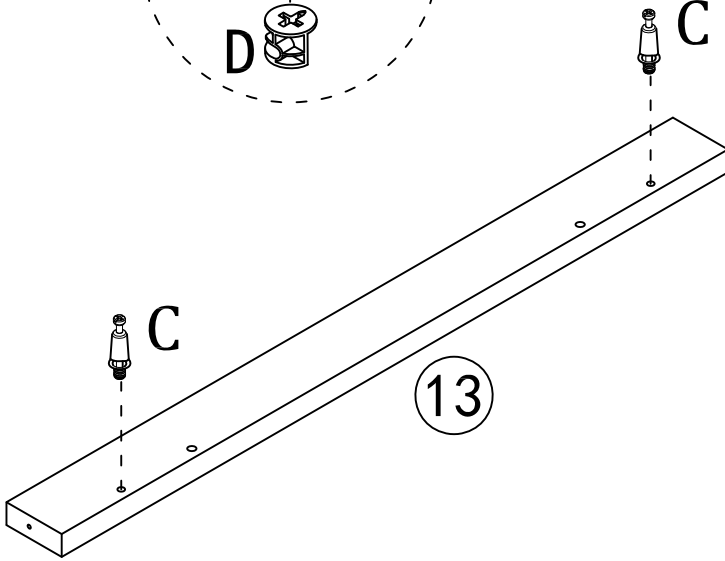
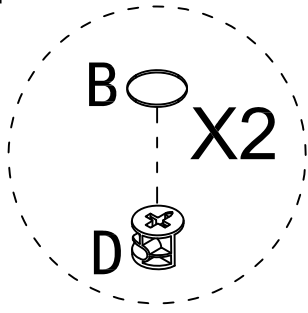
Installation & Assembly





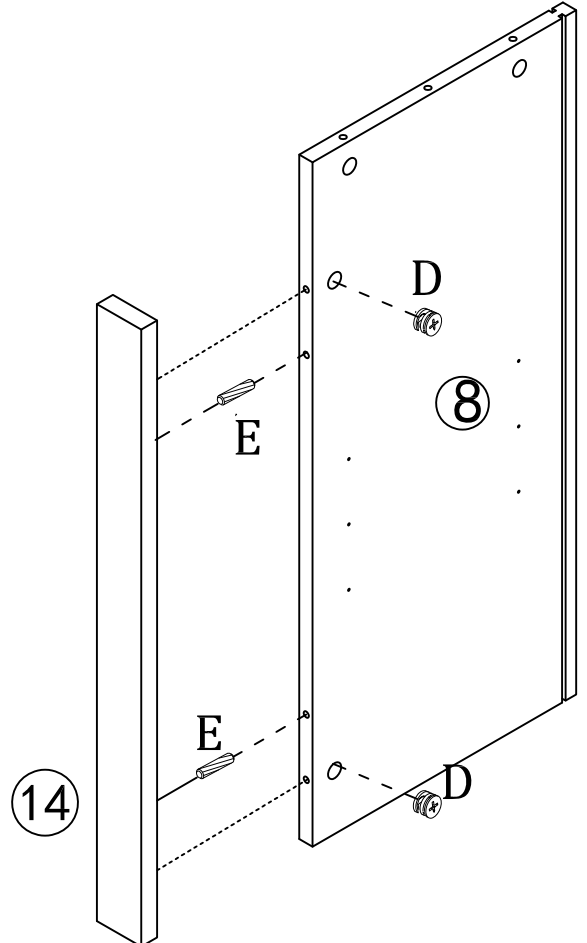
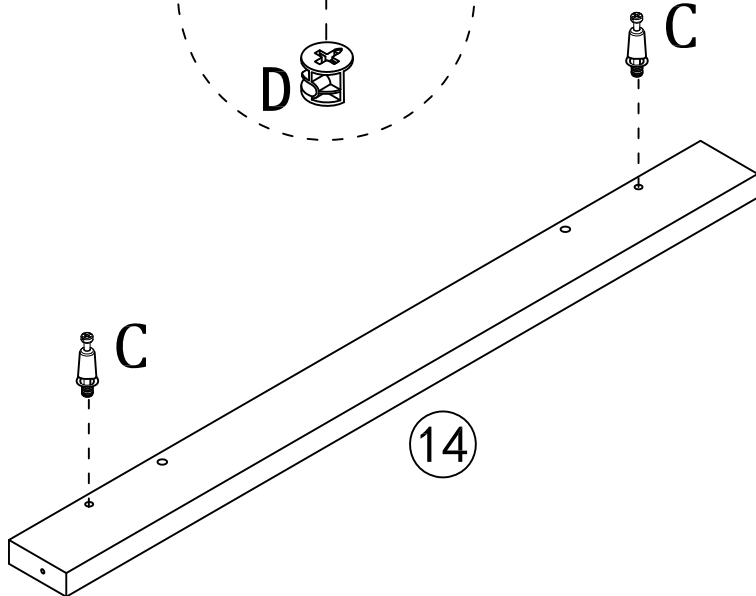
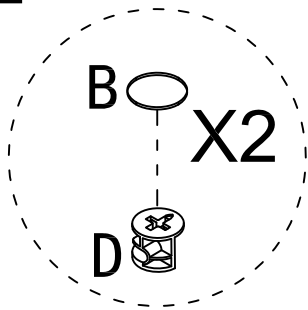
A  a	 b	 c	 d	 e 2PCS
B  $\phi 20 \times 0.1$	C  $\phi 6 \times 35 \text{MM}$	D  $\phi 15 \times 9 \text{MM}$	31+2PCS	
E  $\phi 6 \times 30 \text{MM}$	F  2PCS	G  M4*23*71MM	1PCS	
H  $\phi 6 \times 40 \text{mm}$	I  4PCS	J  $\phi 4 \times 13 \text{MM}$	16+2PCS	
K  5PCS	L  2PCS	M  $\phi 4 \times 25 \text{MM}$	4PCS	
N  12PCS	O  24+2PCS	P  $\phi 3 \times 16 \text{MM}$	24+2PCS	
Q  2PCS	R  2PCS	S  $\phi 4 \times 40 \text{MM}$	9+1PCS	
T  2PCS	U  1PCS			

STEP 1



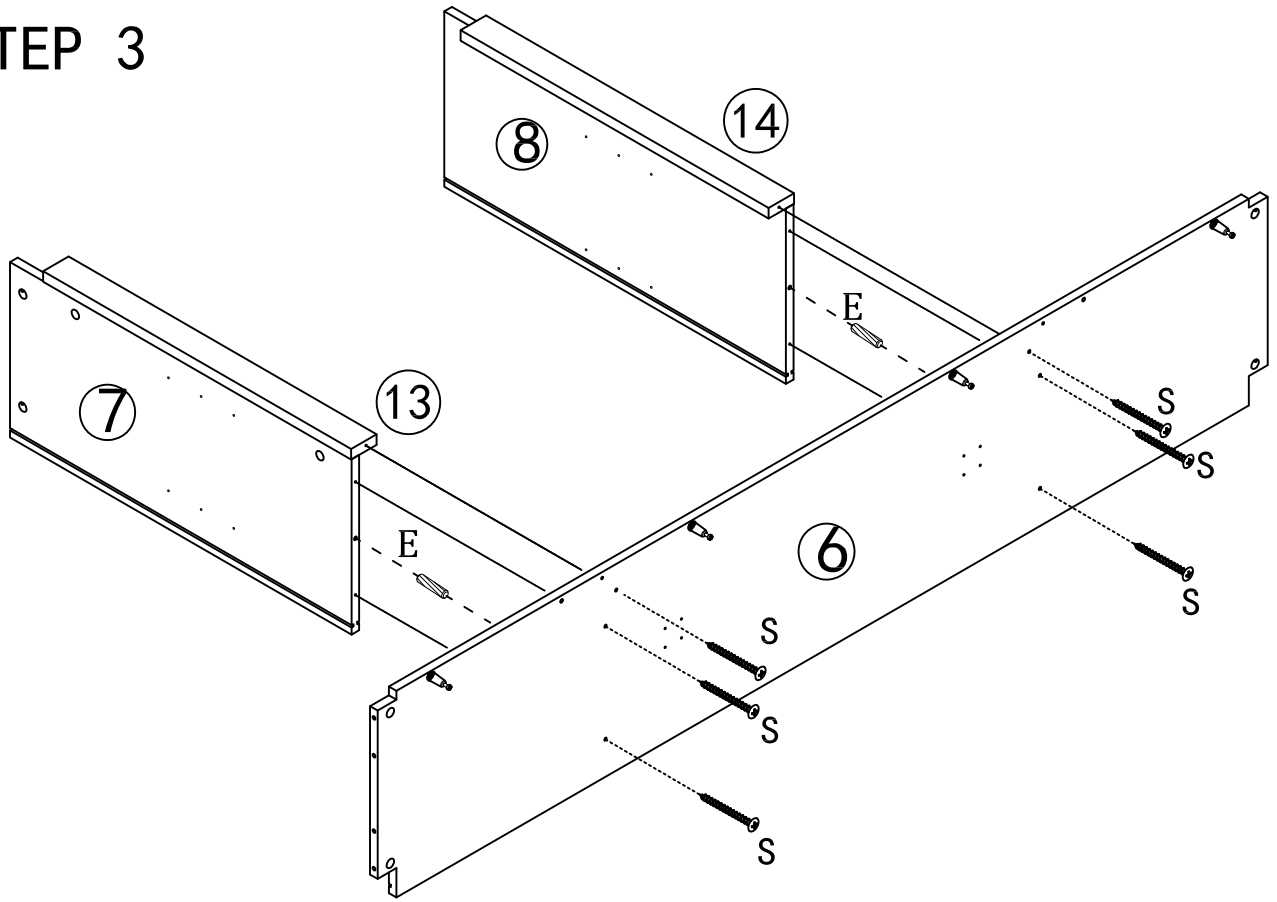
	B*4PCS		C*2PCS		D*2PCS		E*2PCS
--	--------	--	--------	--	--------	--	--------

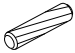

STEP 2



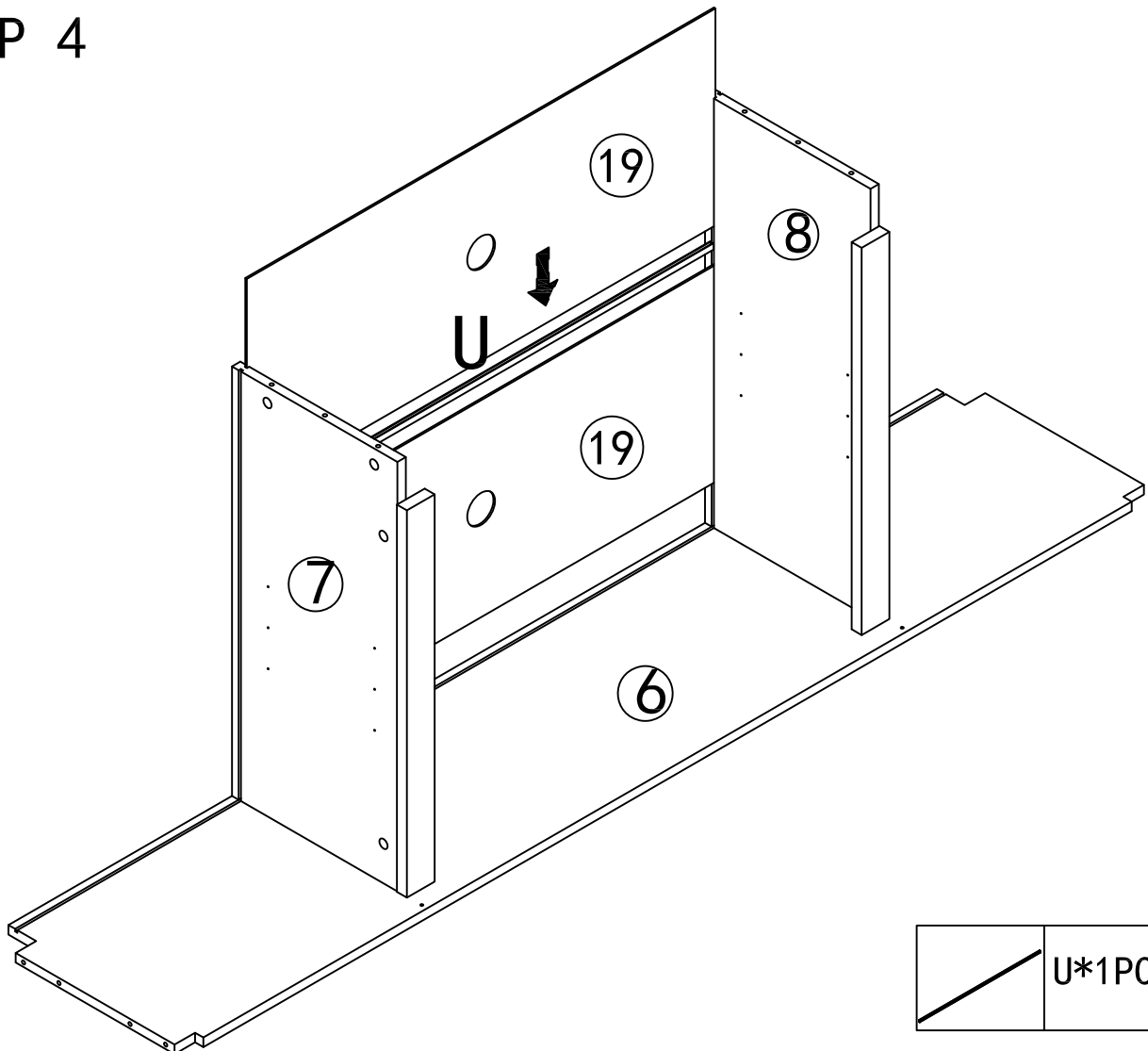
	B*4PCS		C*2PCS		D*2PCS		E*2PCS
--	--------	--	--------	--	--------	--	--------


STEP 3



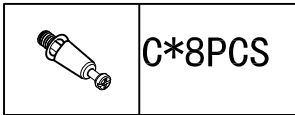
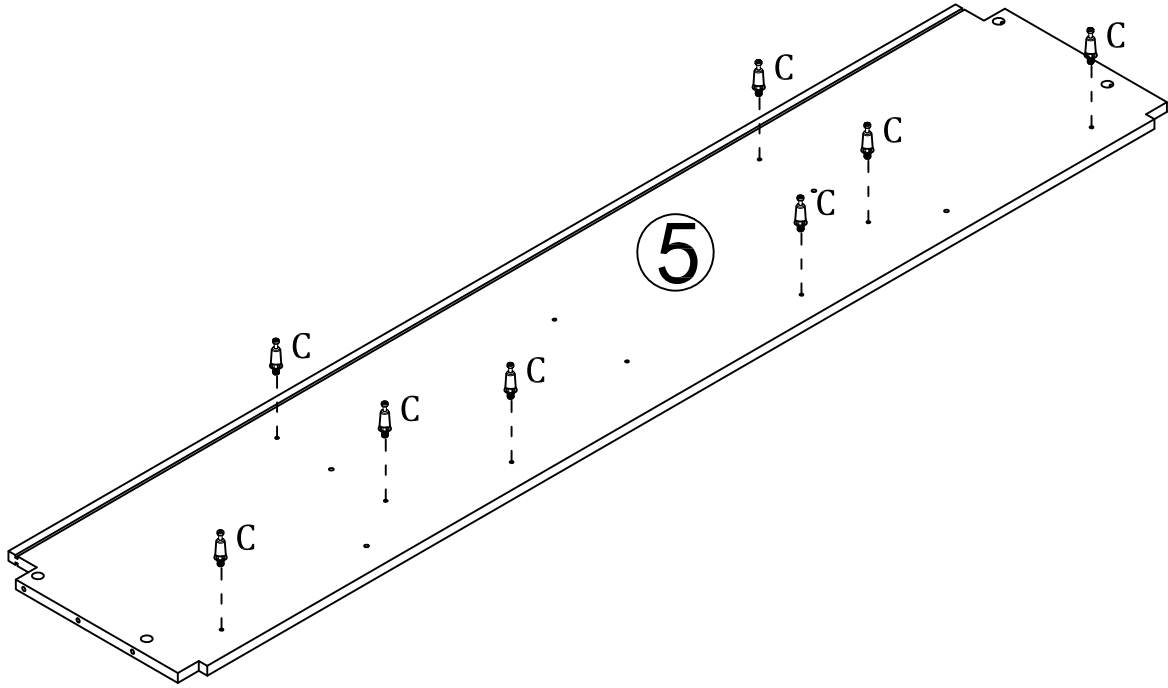
	E*2PCS		S*6PCS
--	--------	--	--------

STEP 4

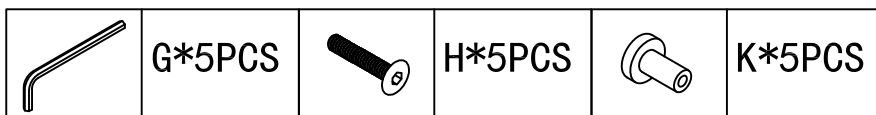
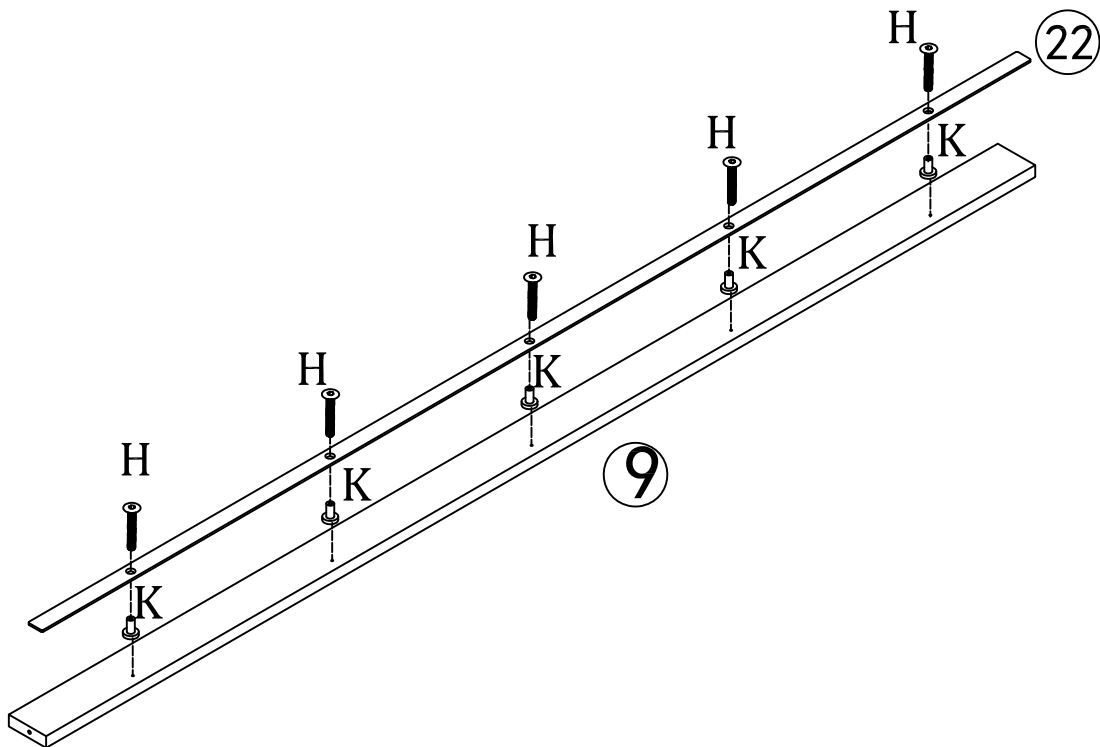


	U*1PCS
---	--------

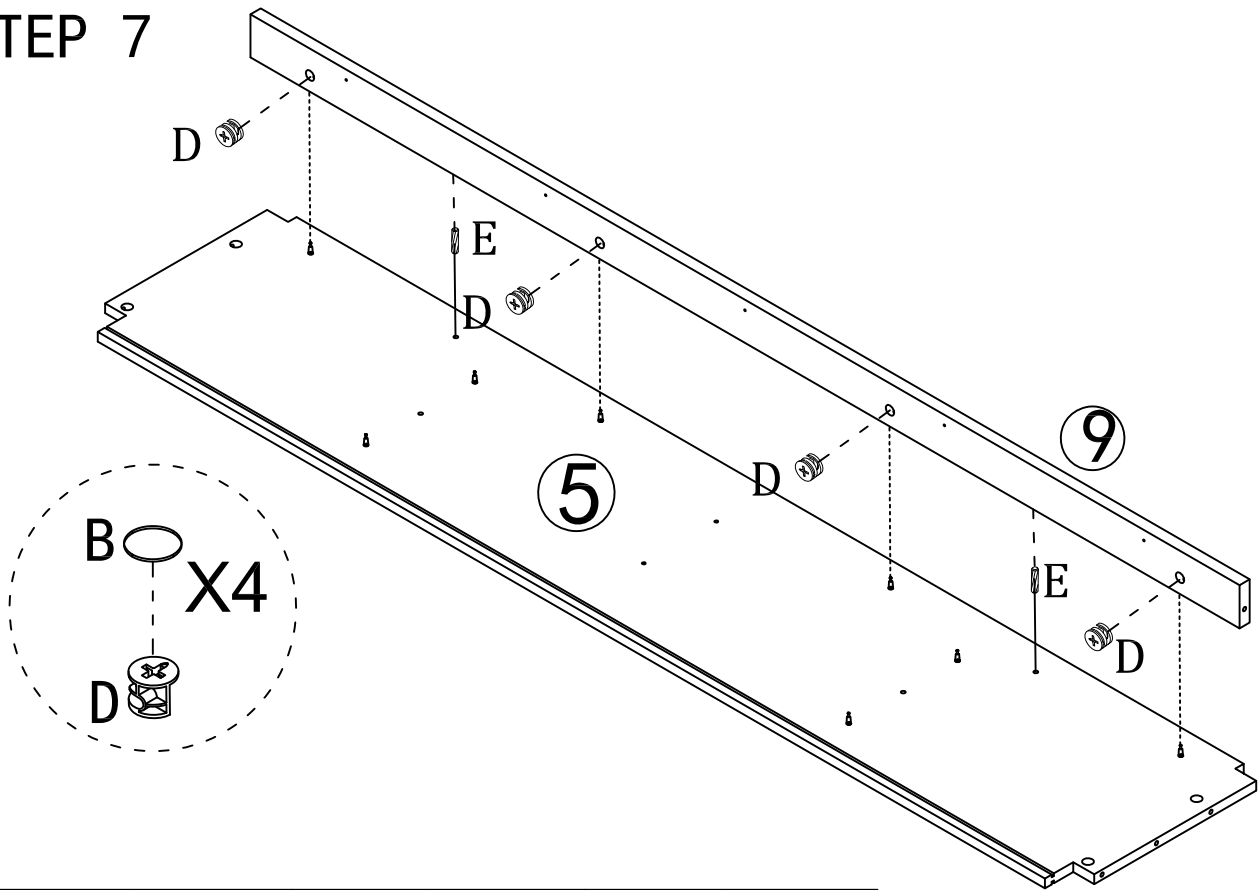
STEP 5



STEP 6

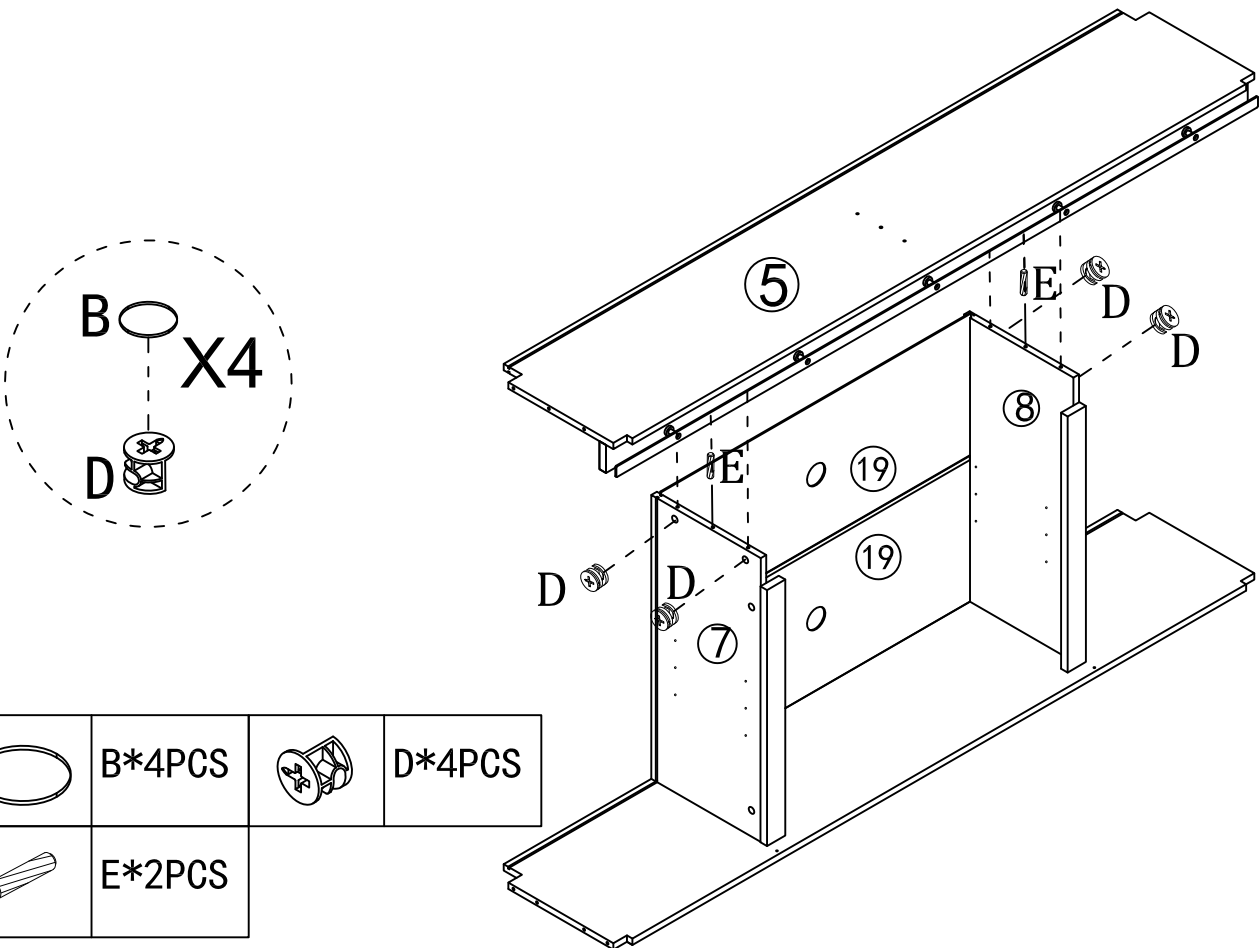




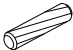
STEP 7



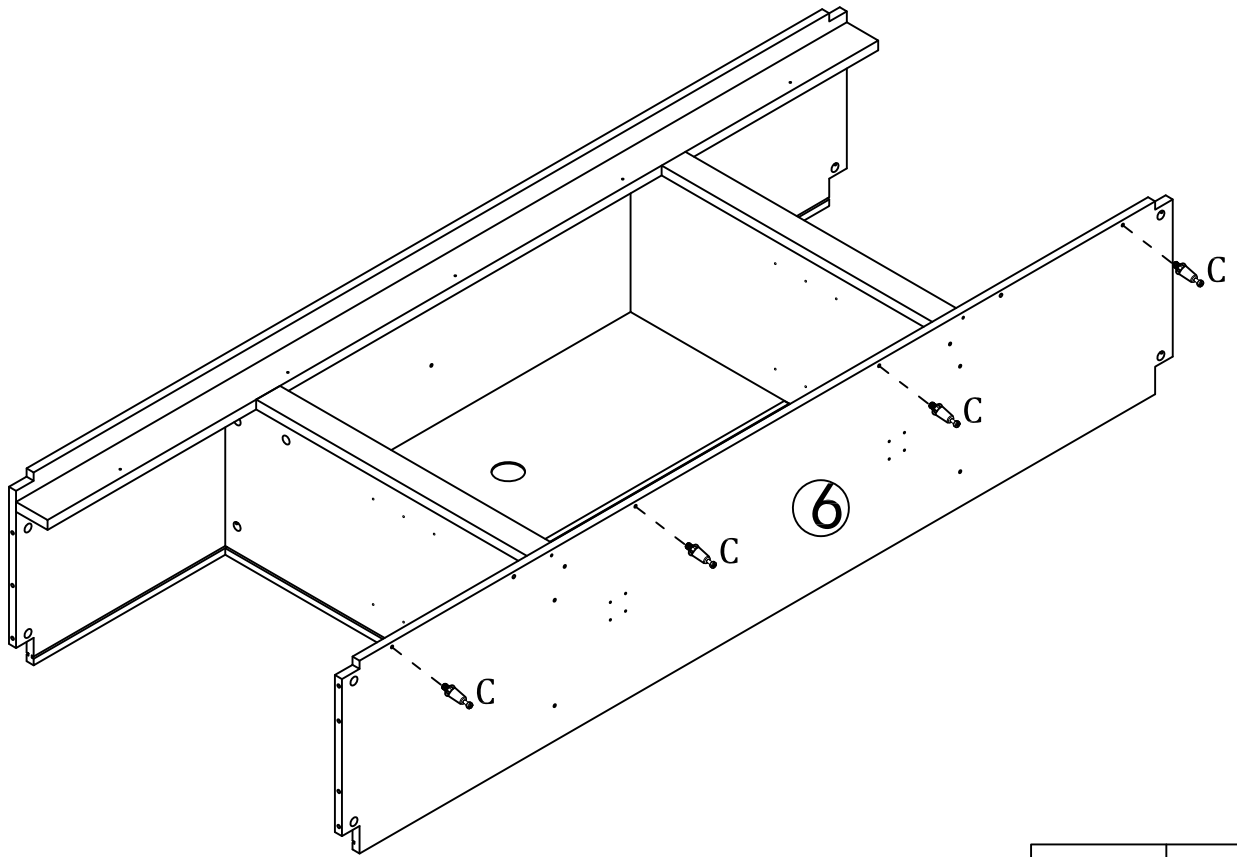
	B*4PCS		D*4PCS		E*2PCS
--	--------	--	--------	---	--------


STEP 8



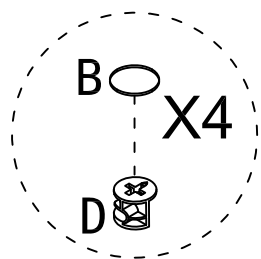
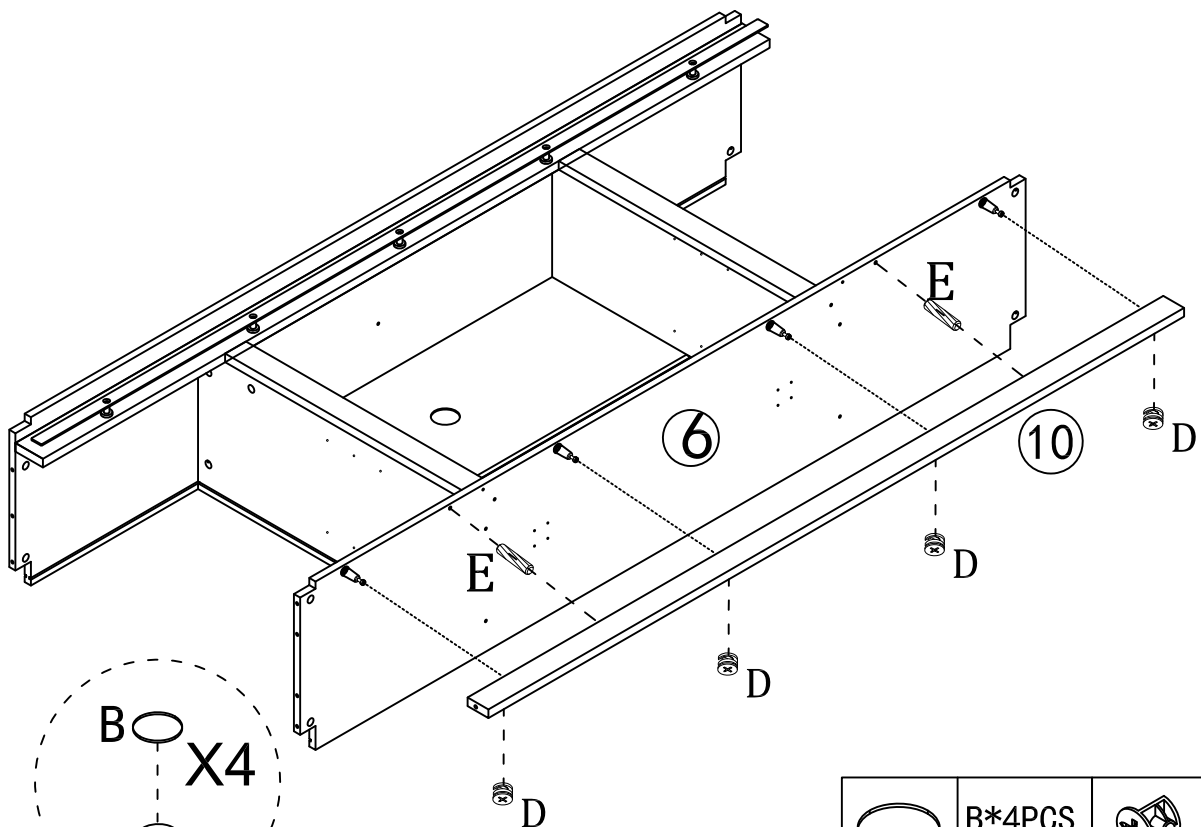
	B*4PCS		D*4PCS
	E*2PCS		



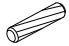
STEP 9



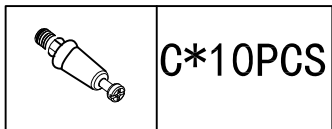
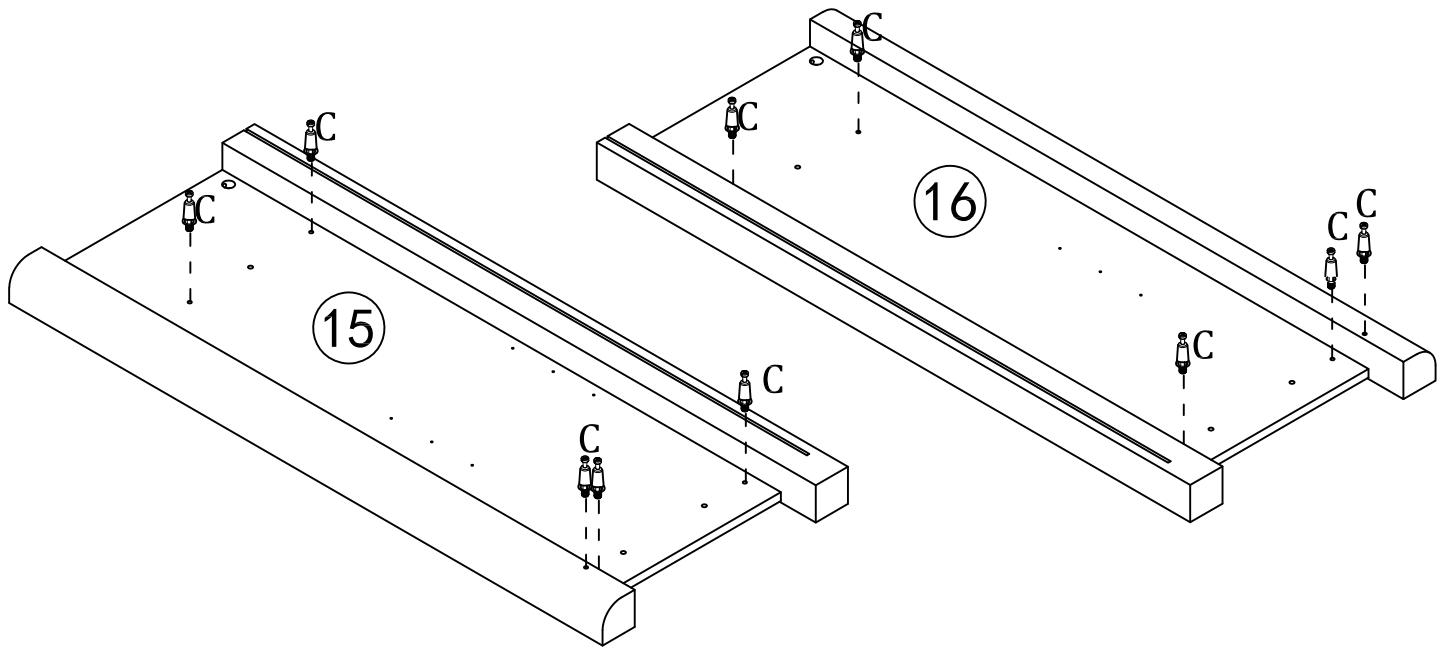
	C*4PCS
--	--------

STEP 10

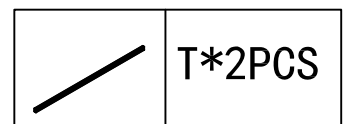
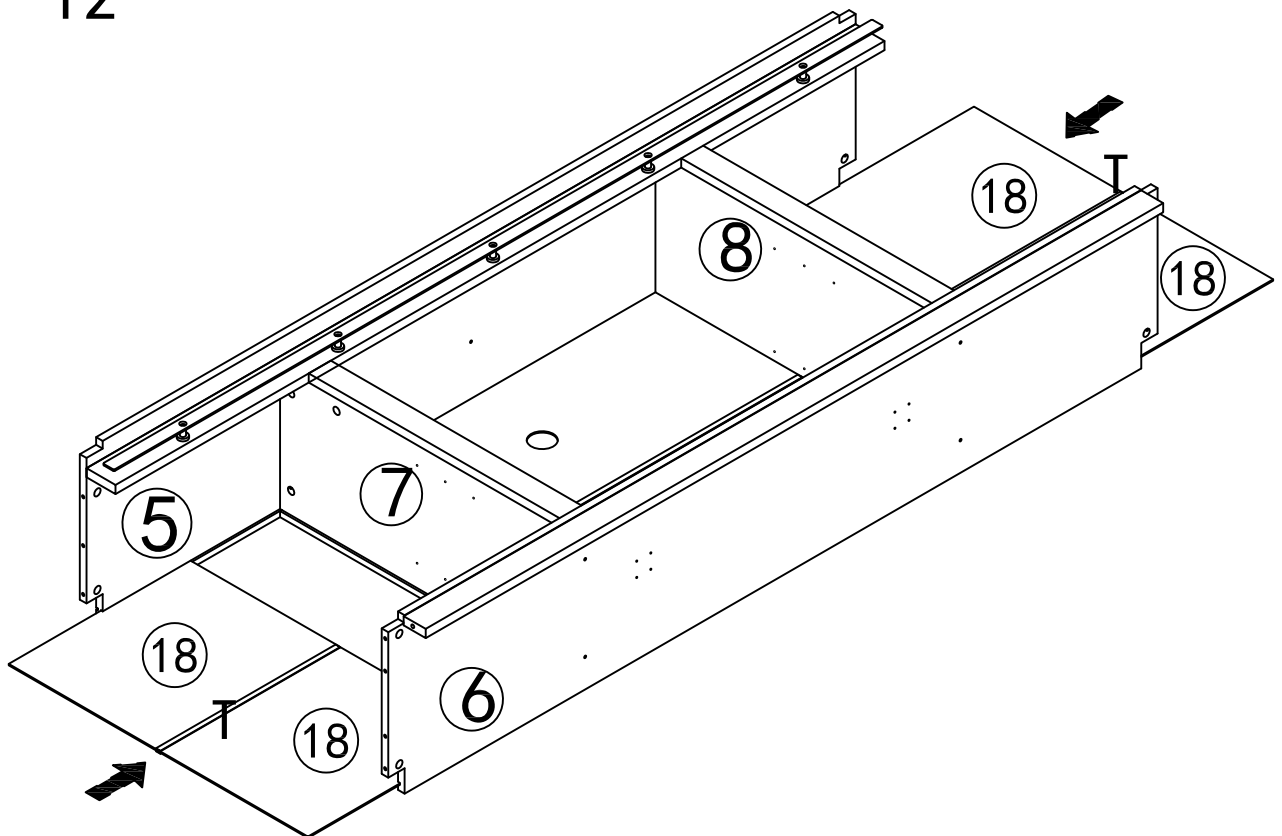


	B*4PCS		D*4PCS
	E*2PCS		

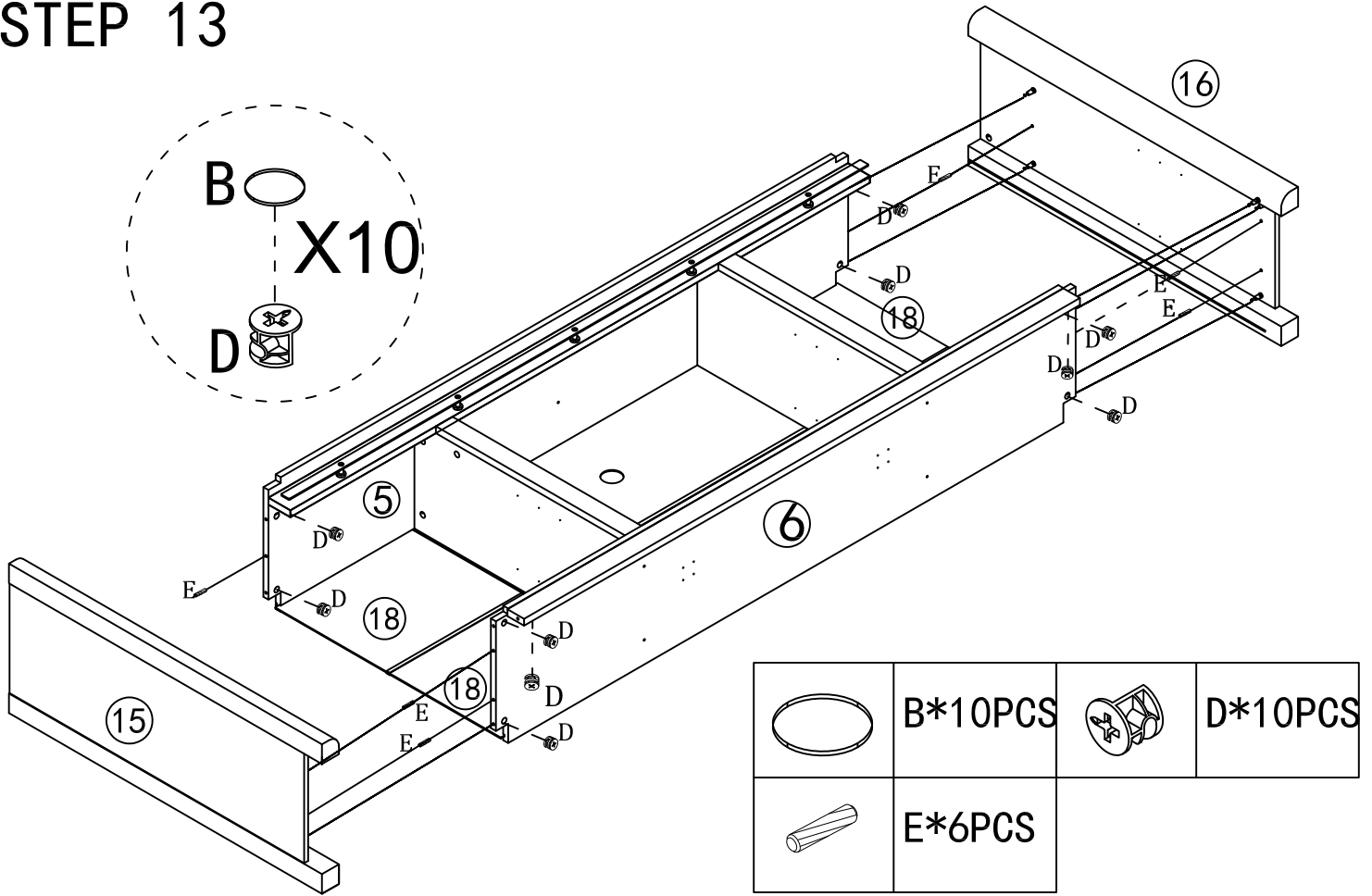
STEP 11



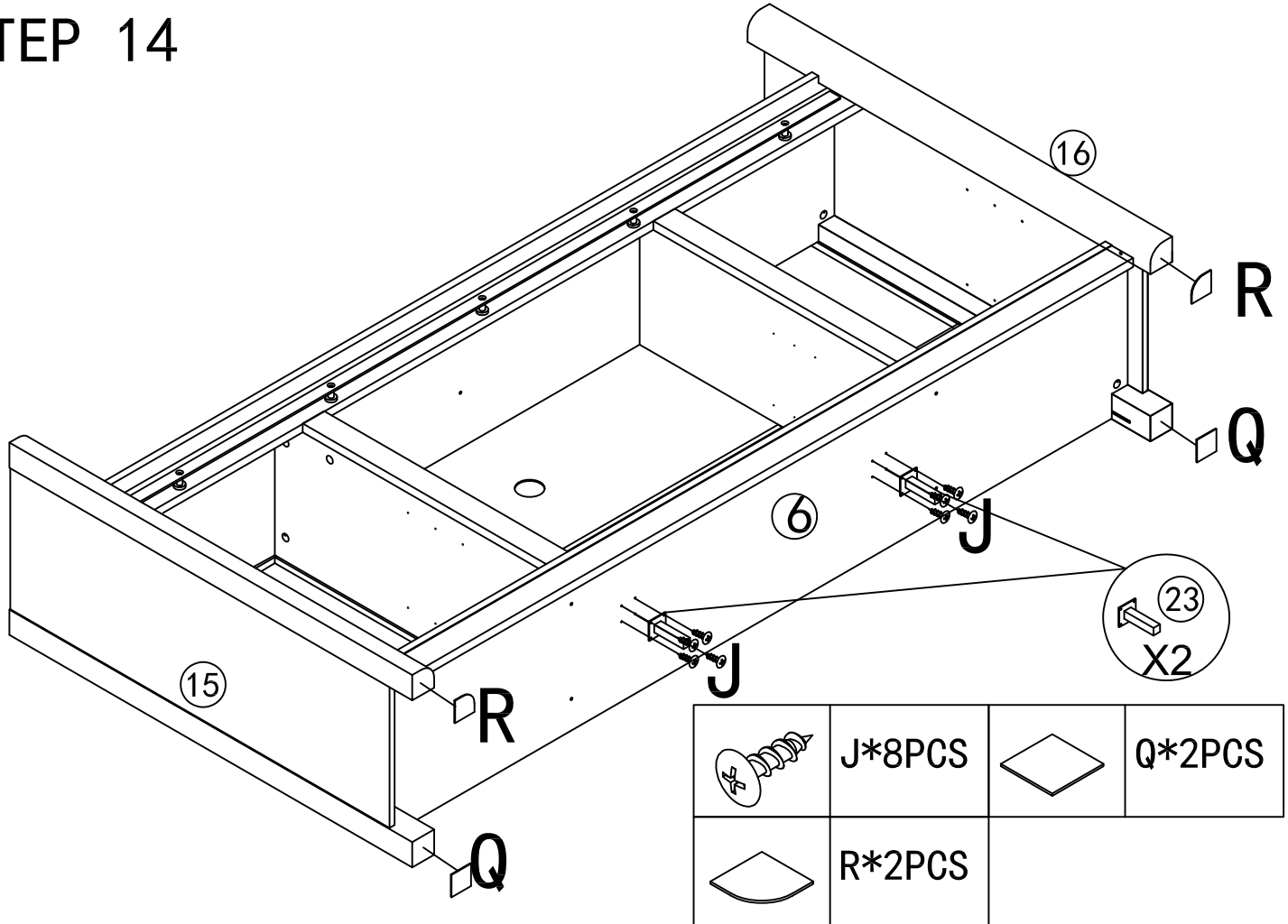
STEP 12



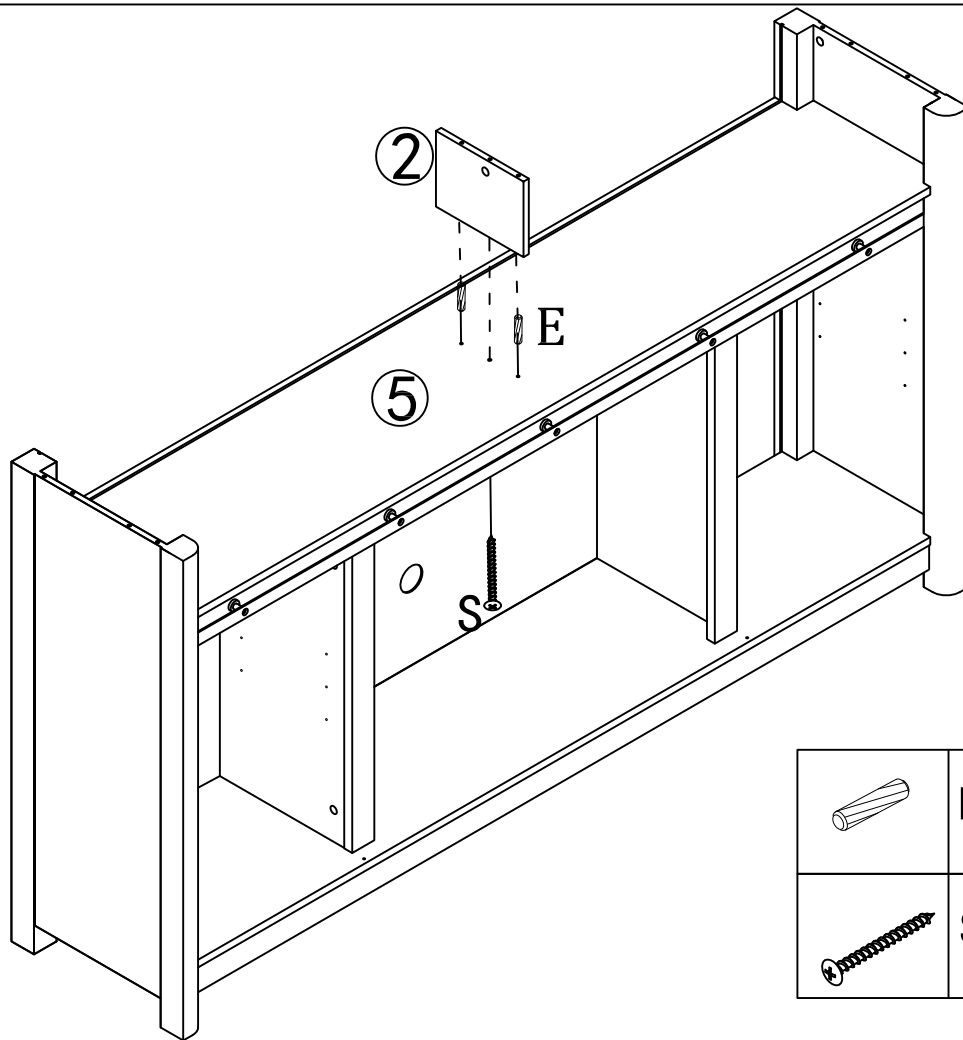
STEP 13



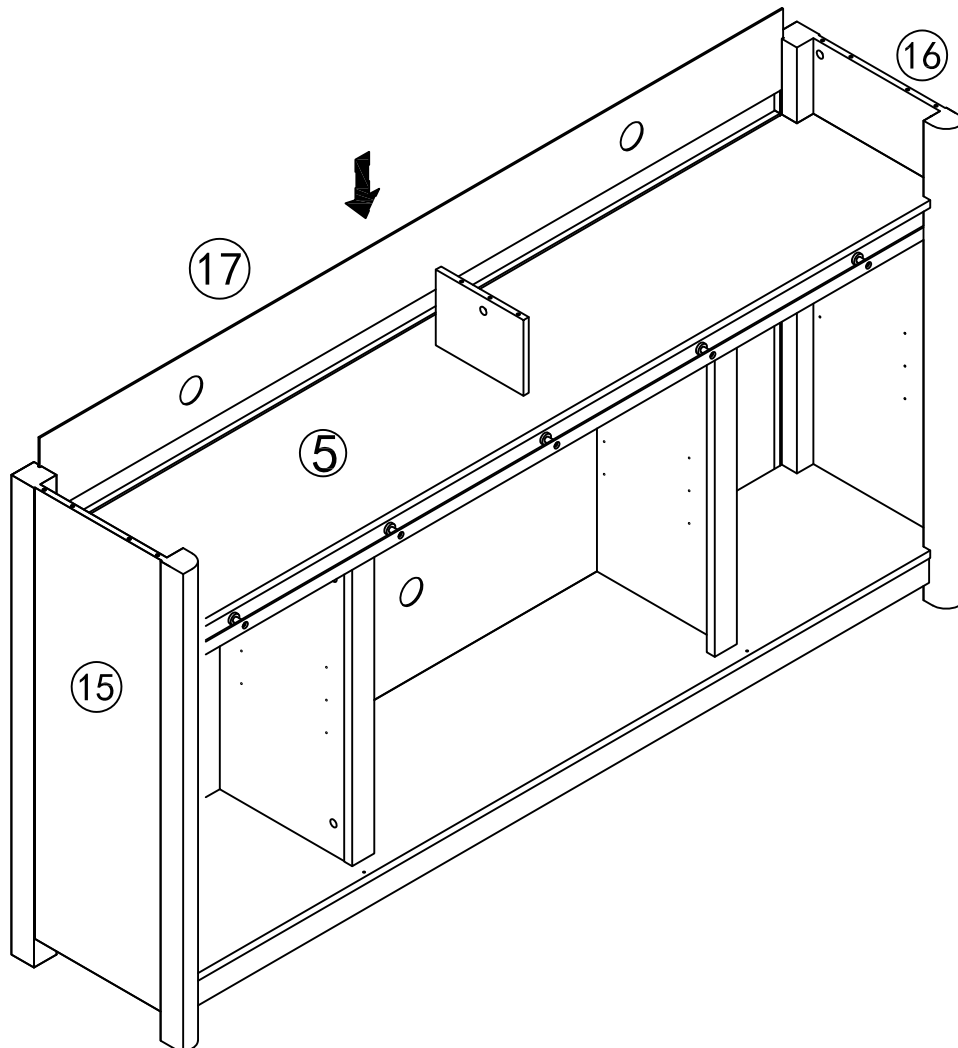
STEP 14



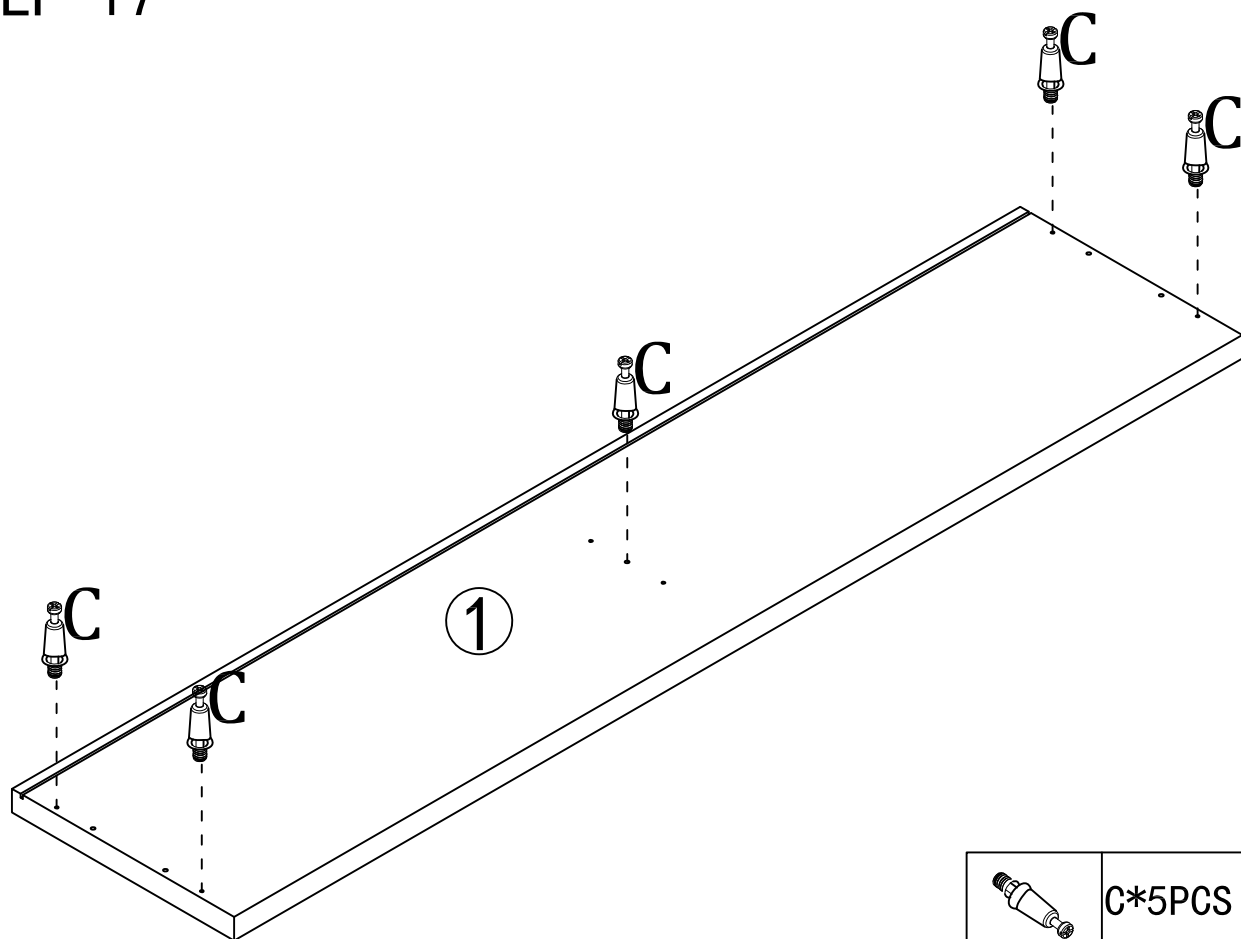
STEP 15




STEP 16

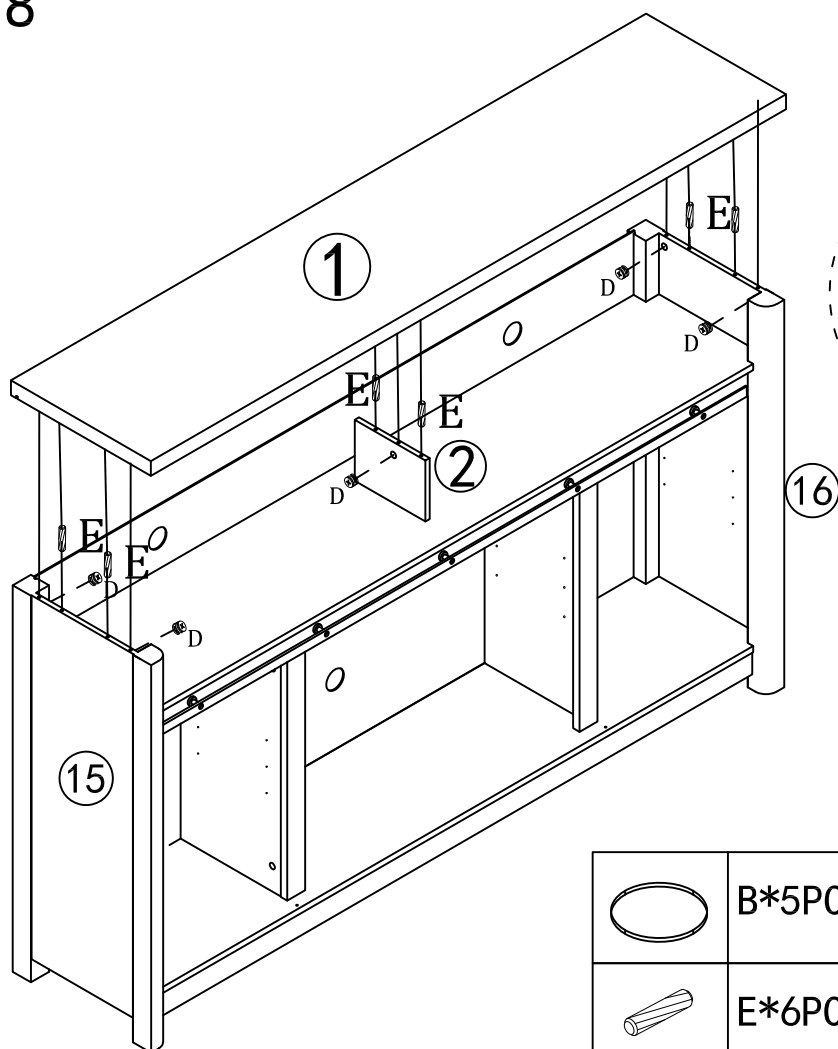




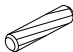
STEP 17



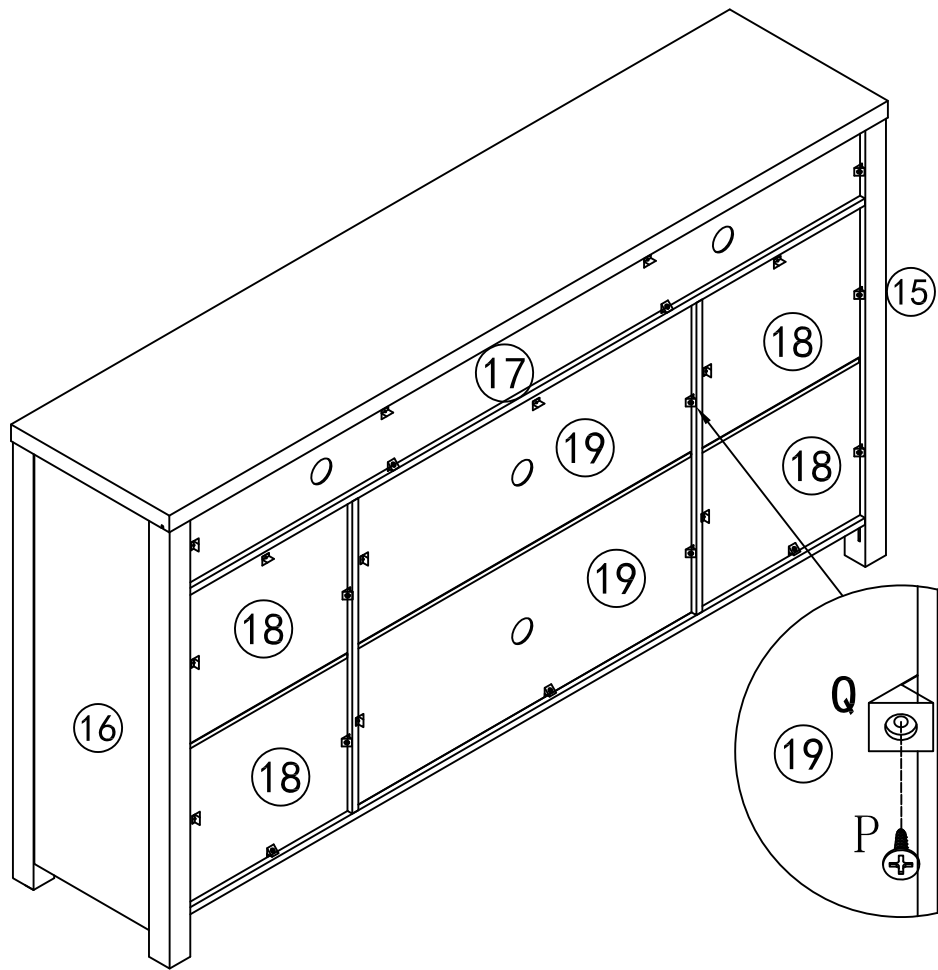
	C*5PCS
--	--------



STEP 18



	B*5PCS		D*5PCS
	E*6PCS		

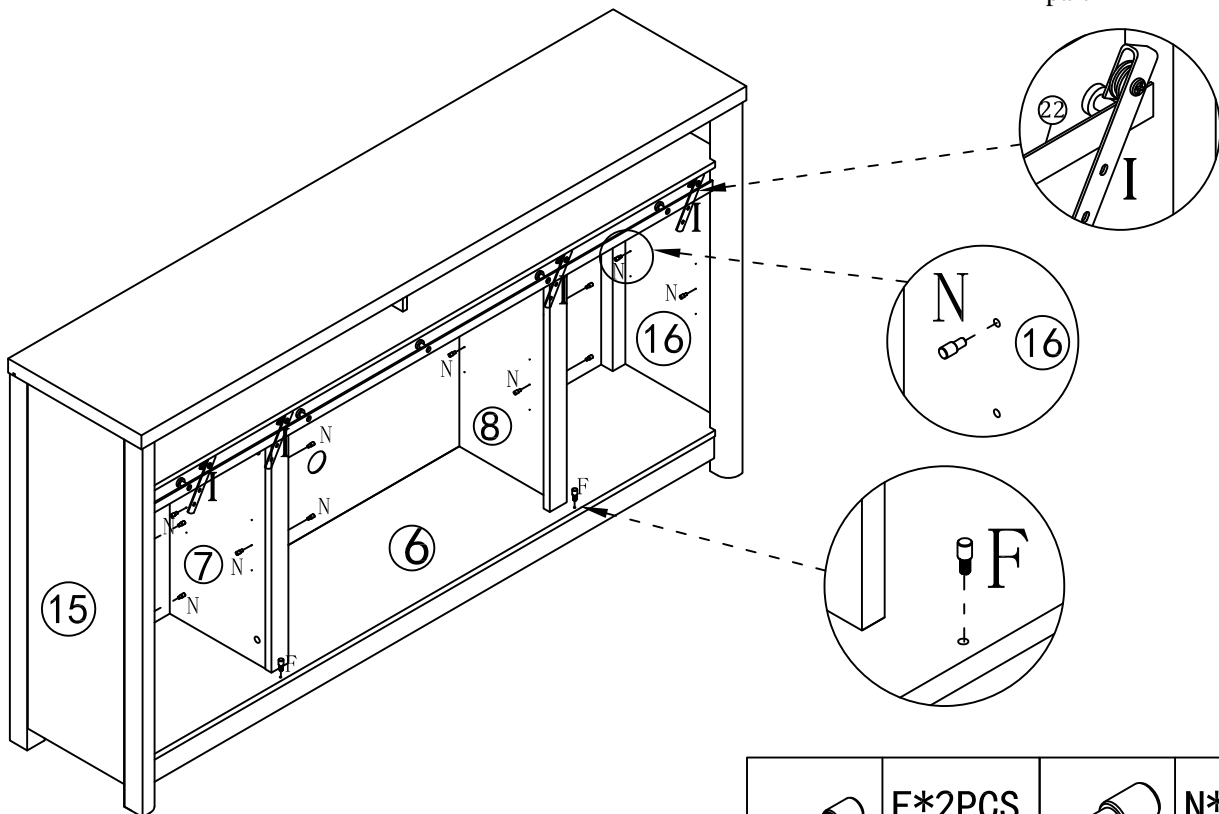
STEP 19






	0*24PCS
	P*24PCS

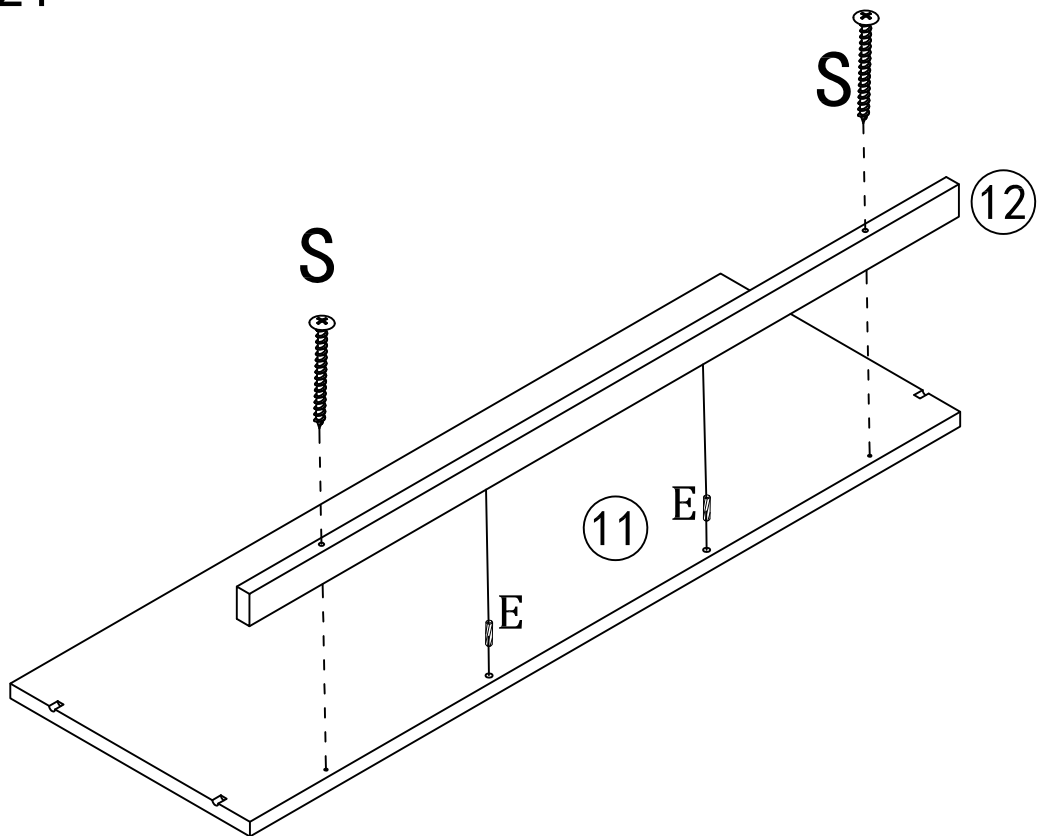
STEP 20

The pulley #I is installed diagonally and attaches to part #22



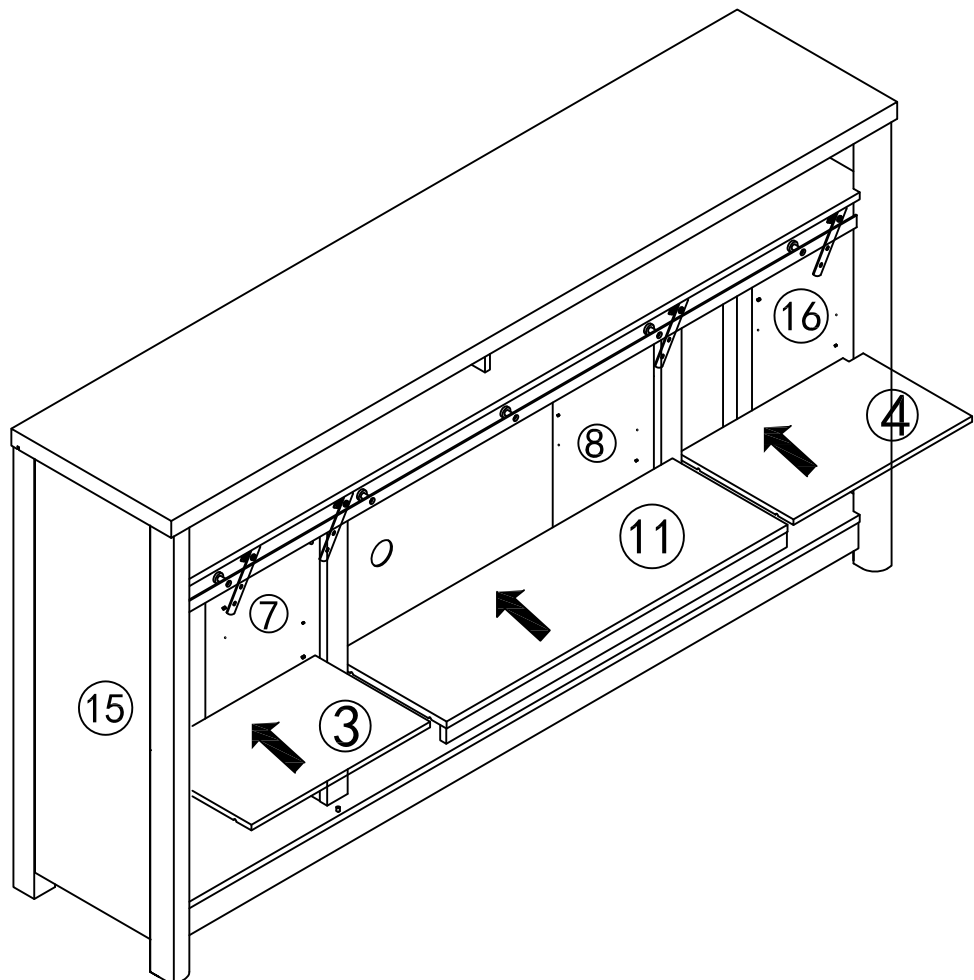
	F*2PCS		N*12PCS
	I*4PCS		

STEP 21

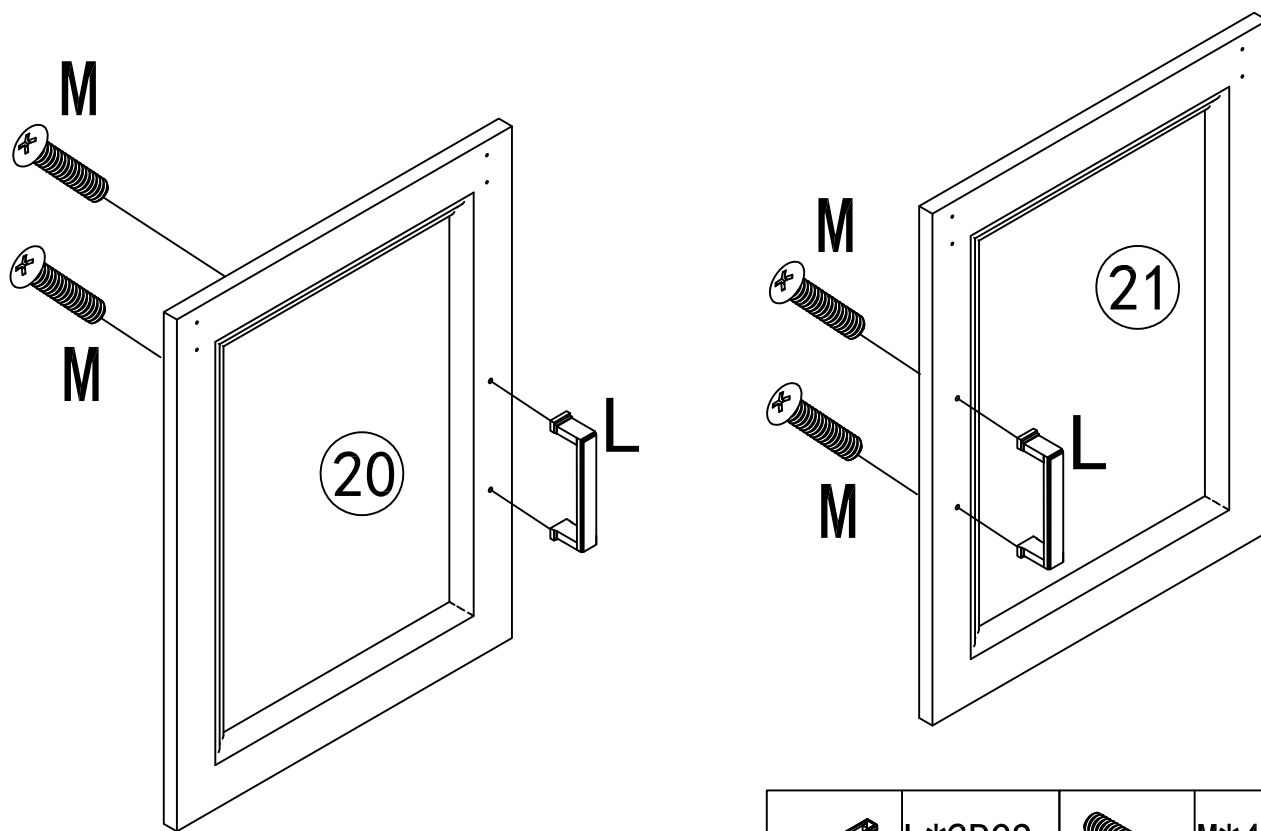



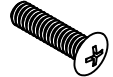
	E*2PCS		S*2PCS
--	--------	--	--------

STEP 22

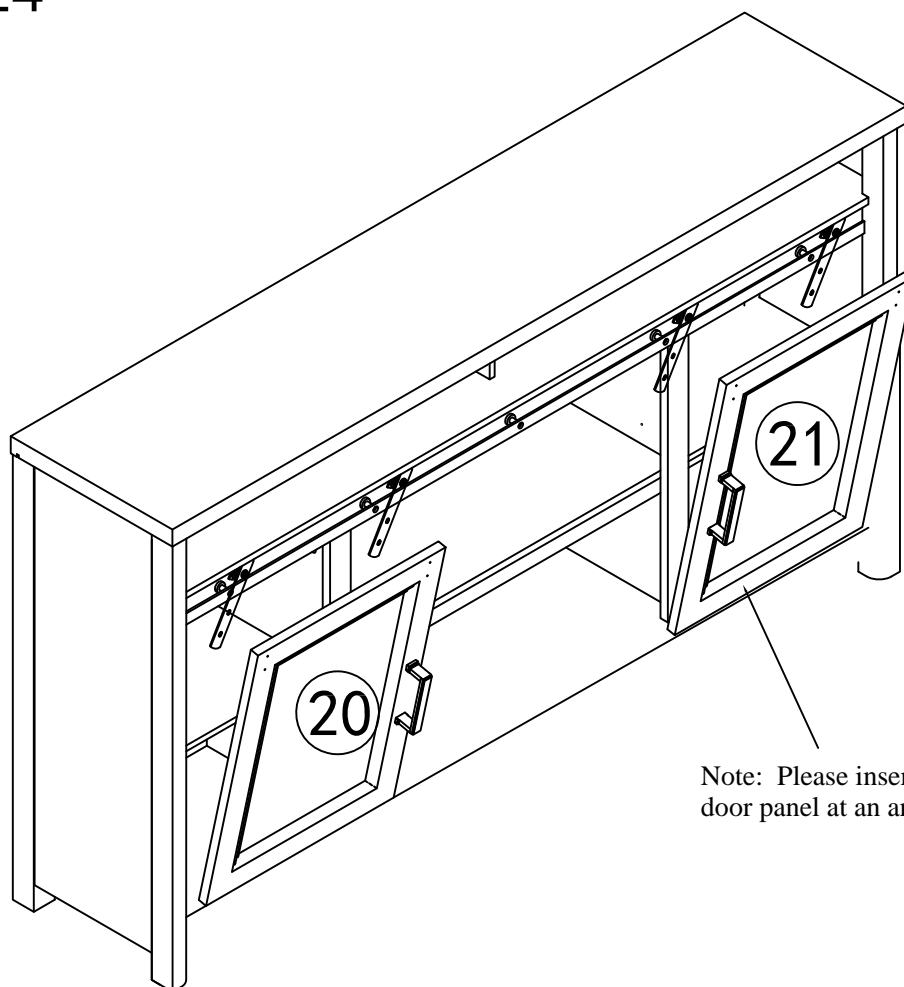


STEP 23



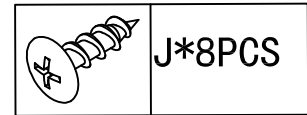
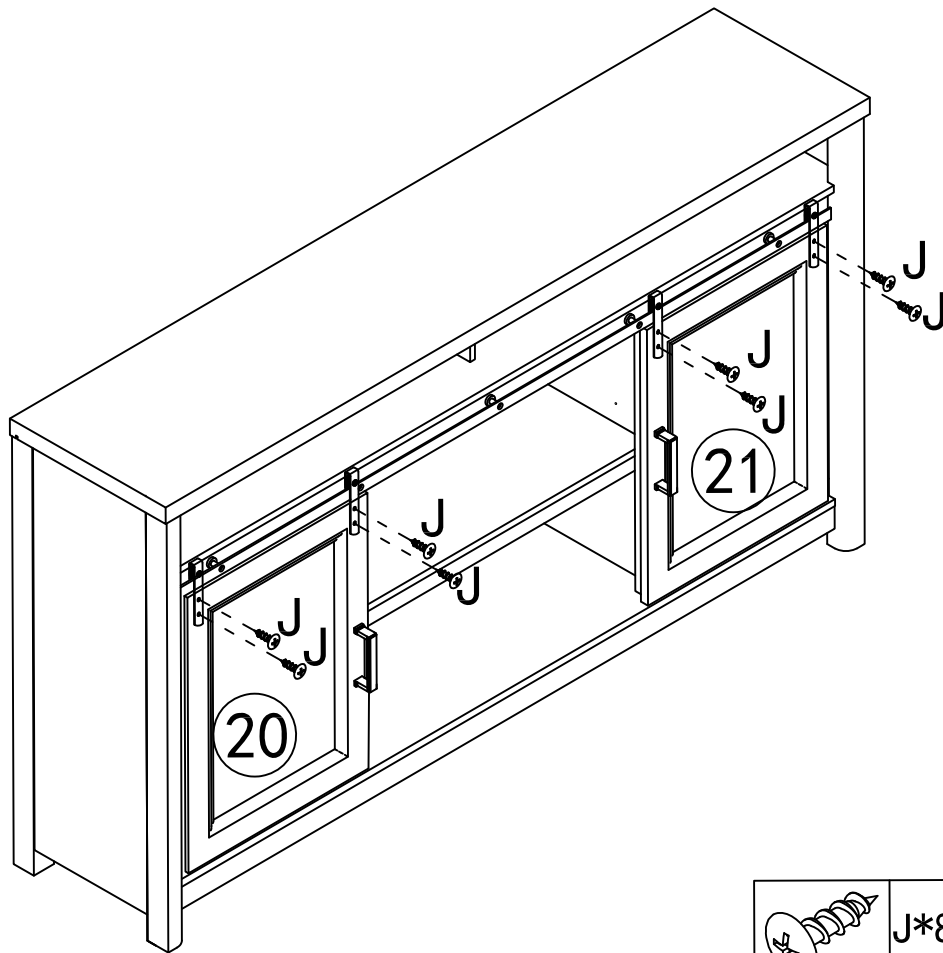
	L*2PCS		M*4PCS
---	--------	--	--------

STEP 24



Note: Please insert the door panel at an angle !

STEP 25



STEP 26

