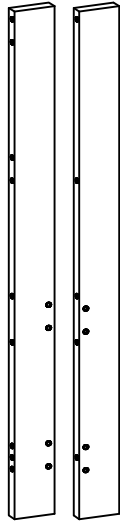
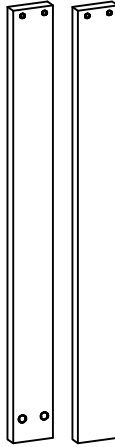


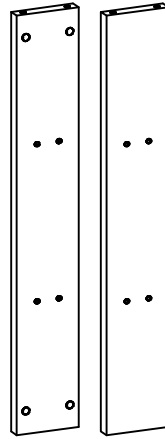
Ax1



Bx1

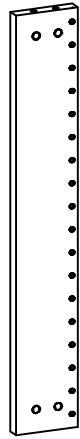


Cx1



$\frac{582 \times 90}{22.9 \times 3.5}$

Dx1



Ex1



$\frac{582 \times 58}{22.9 \times 2.3}$

Fx1



Gx9



$\frac{14}{0.6}$

$\frac{582 \times 58}{22.9 \times 2.3}$

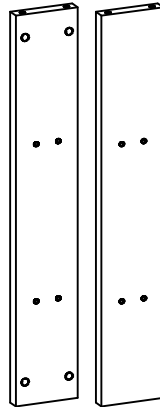
Hx2



$\frac{18}{0.7}$

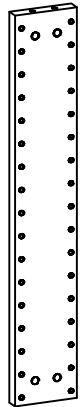
$\frac{582 \times 58}{22.9 \times 2.3}$

lx1

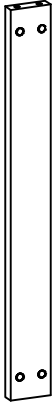


$\frac{542 \times 90}{21.3 \times 3.5}$

Jx1



Kx1



$\frac{542 \times 58}{21.3 \times 2.3}$

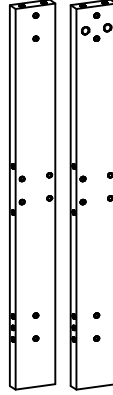
Lx1



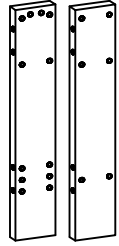
Mx2



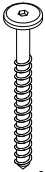
Nx1



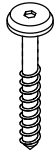
Ox1



Px1



M6x  $\frac{100}{3.9}$   
Qx17



M6x  $\frac{60}{2.4}$   
Rx31



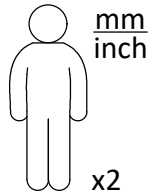
Sx48

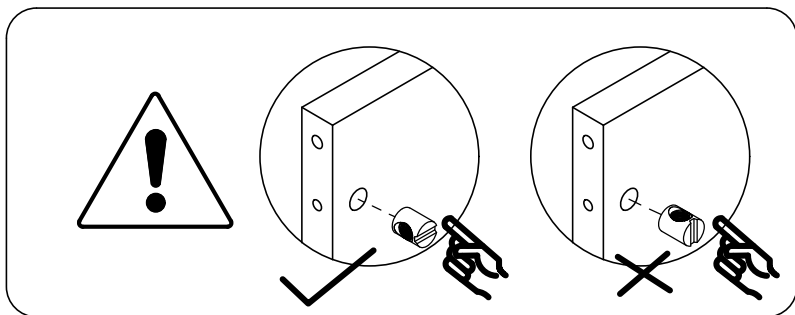


Tx48

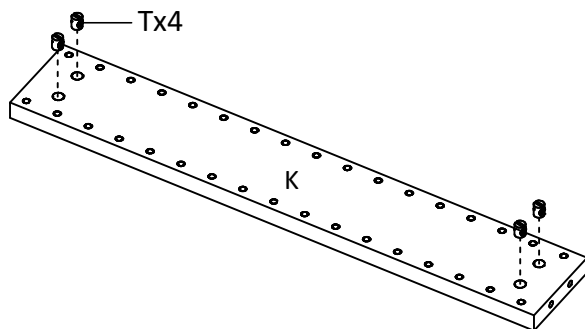


Ux1





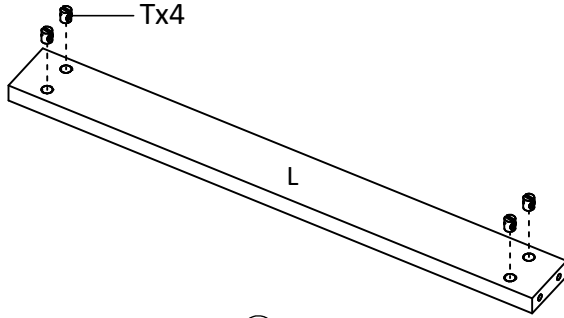
①



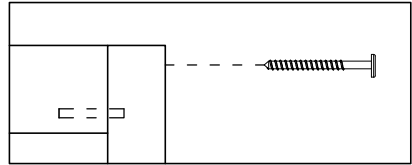
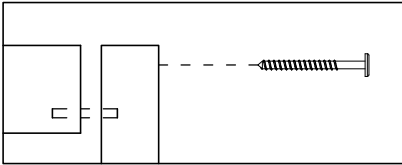
Tx4

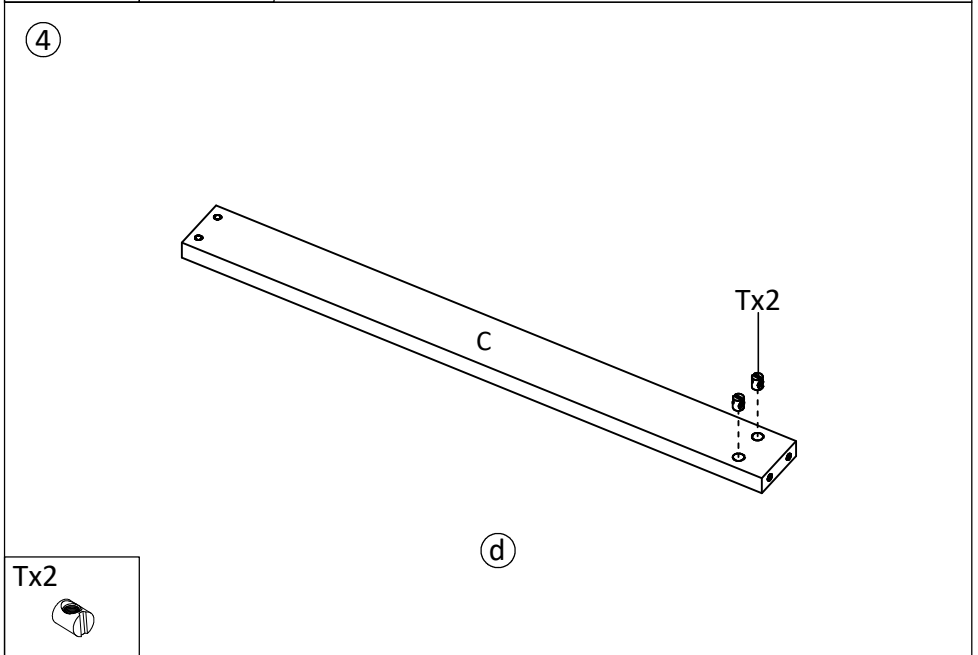
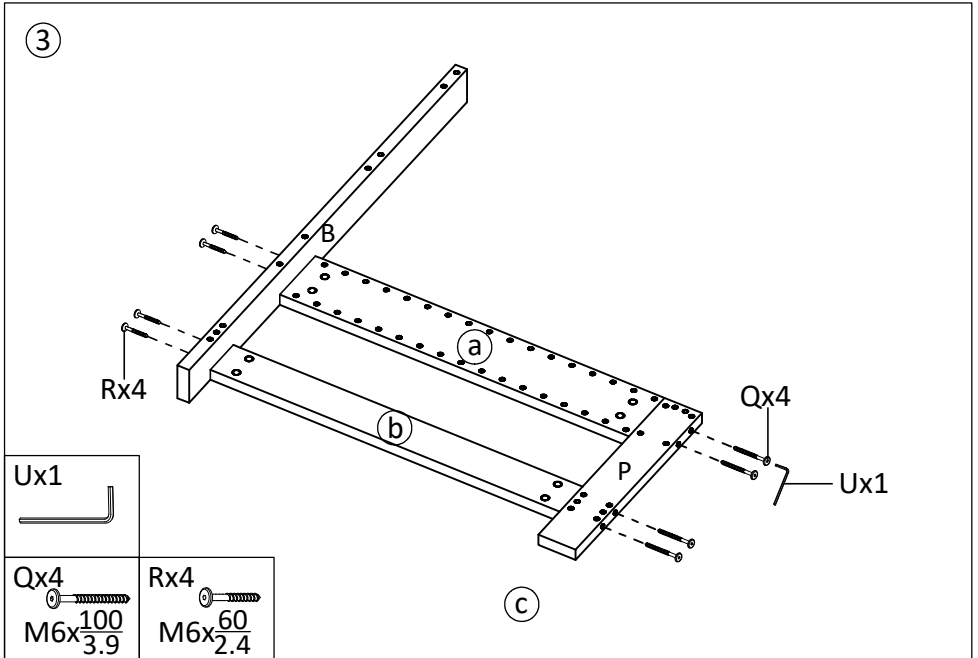


②

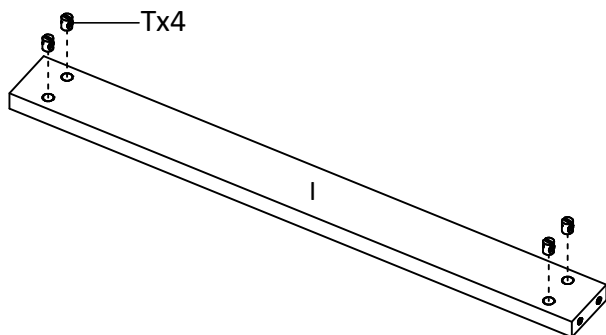


Tx4





⑤x2

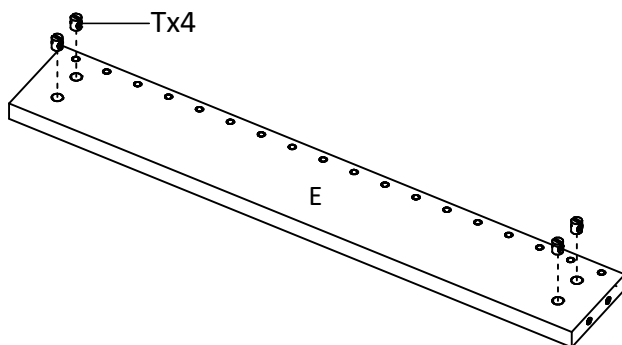


⑤

Tx8



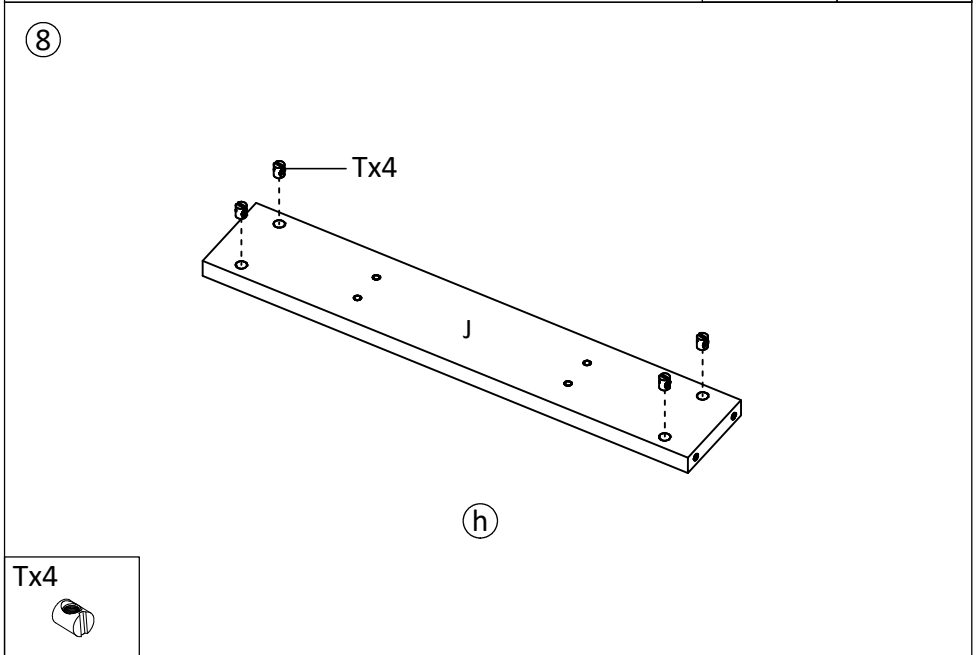
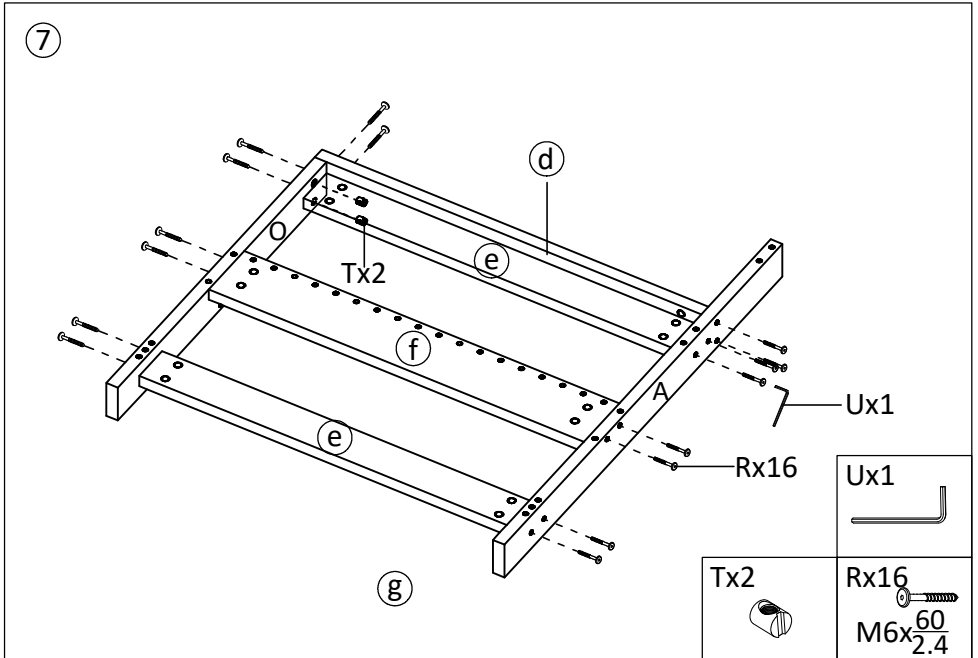
⑥



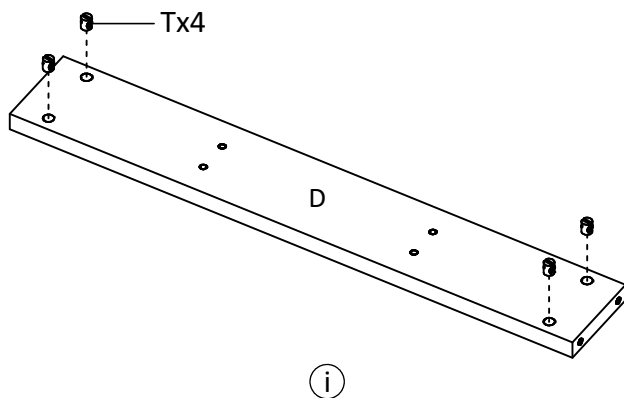
⑥

Tx4





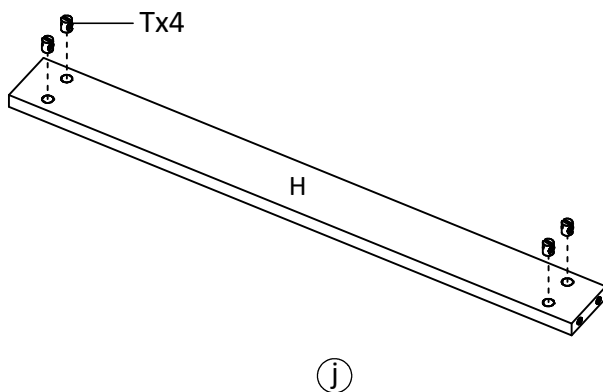
9



Tx4

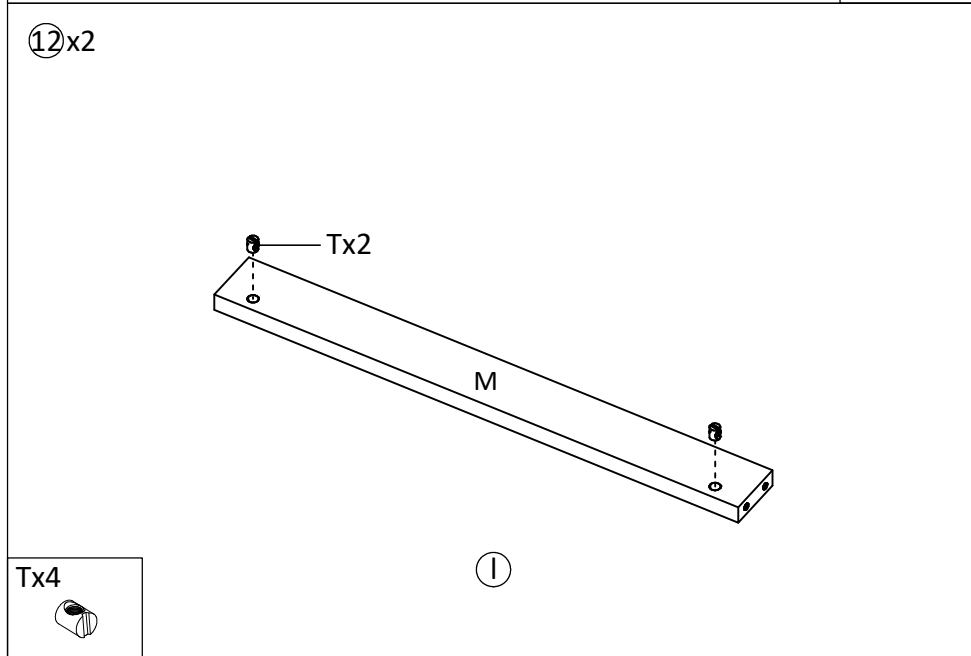
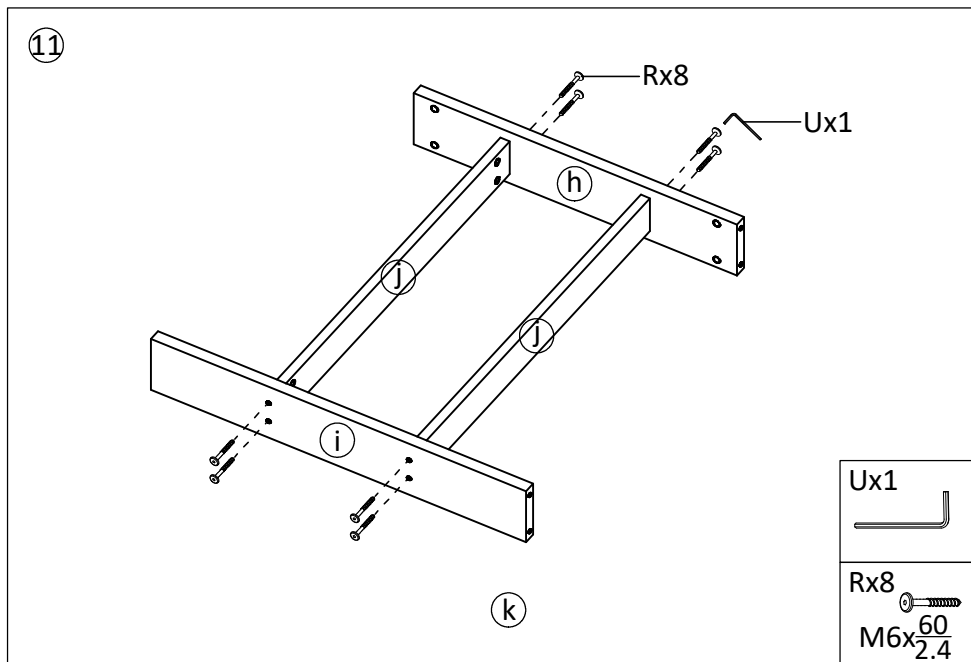


10x2

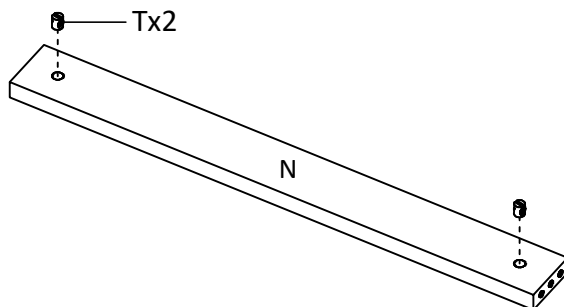


Tx8





13

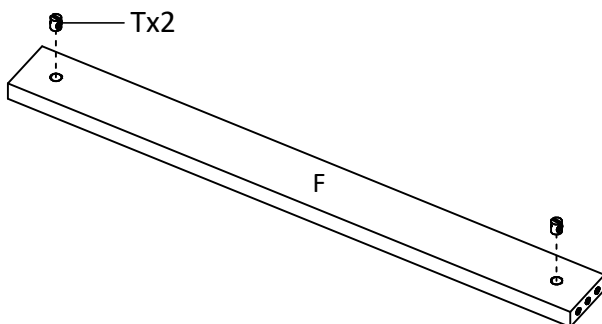


m

Tx2



14

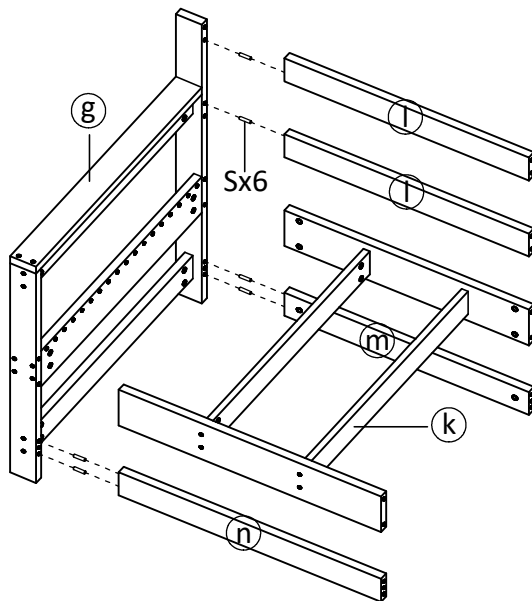


n

Tx2



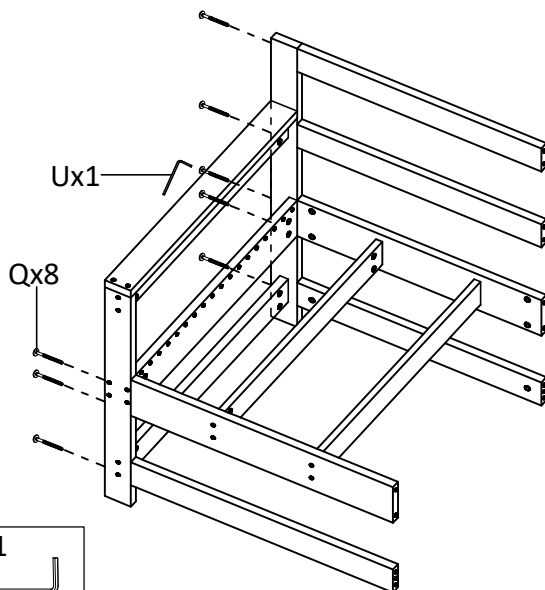
15



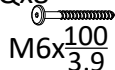
Sx6



16



Qx8

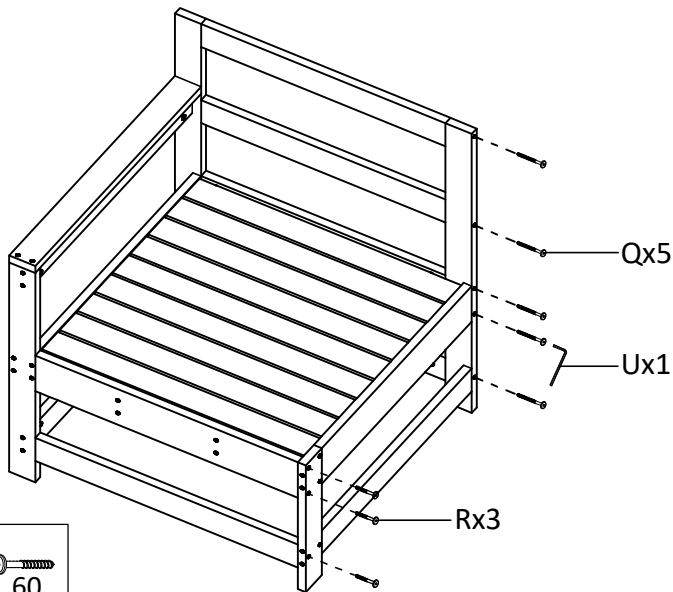


Ux1





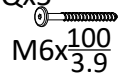
19



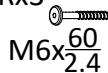
Ux1



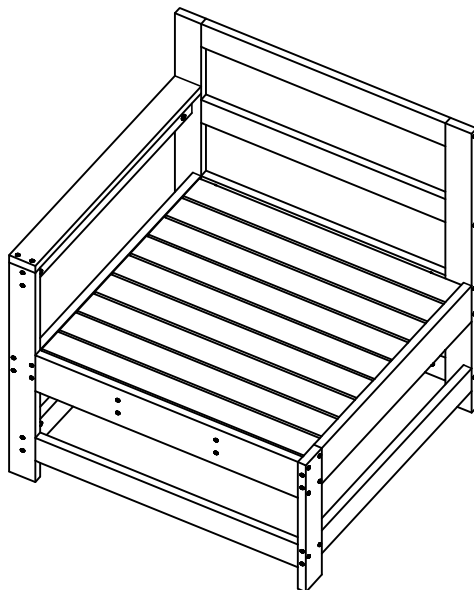
Qx5

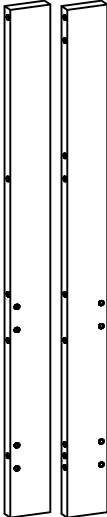
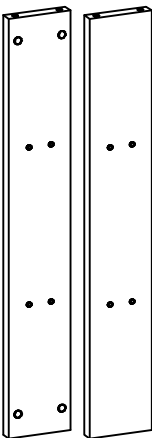
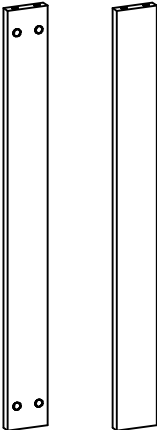

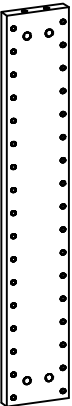

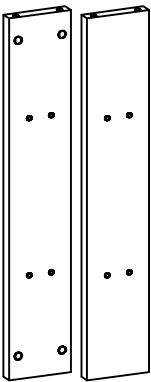
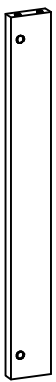
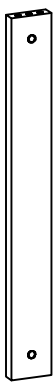
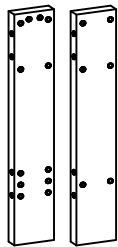









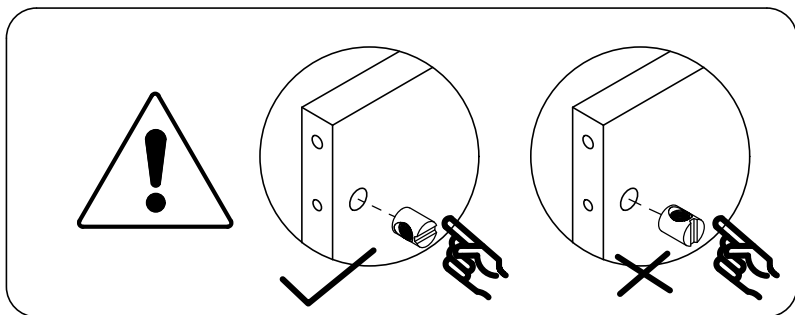
Rx3



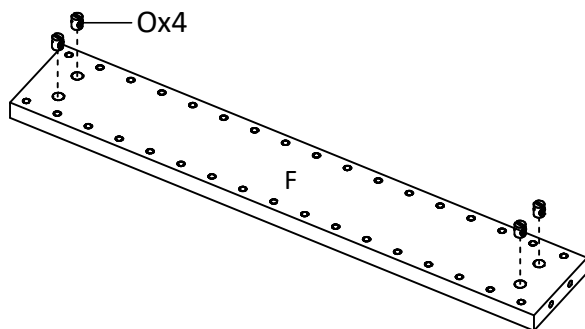
20



						
	$\frac{582 \times 90}{22.9 \times 3.5}$ Bx1	$\frac{582 \times 58}{22.9 \times 2.3}$ Cx2	Dx9	$\frac{582 \times 58}{22.9 \times 2.3}$ Ex1	Fx2	
Ax2 						
$\frac{542 \times 58}{21.3 \times 2.3}$ Gx2	$\frac{502 \times 90}{19.8 \times 3.5}$ Hx1	Ix2	$\frac{502 \times 58}{19.8 \times 2.3}$ Jx1	Kx2		
 M6x100 Lx18	 M6x60 Mx22	 Nx48	 Ox40	 Px1		 mm inch x2



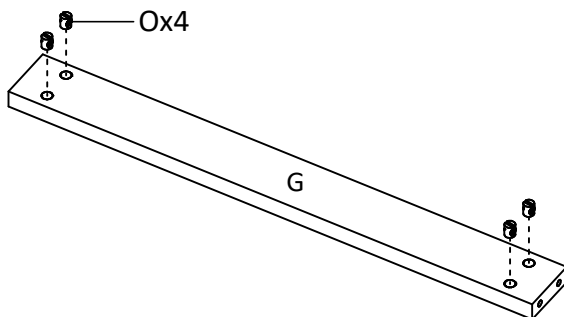
①x2



Ox8

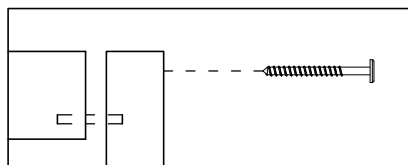


②x2

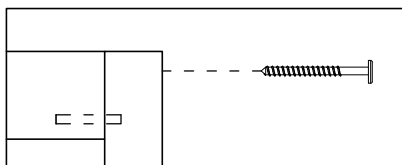


ⓑ

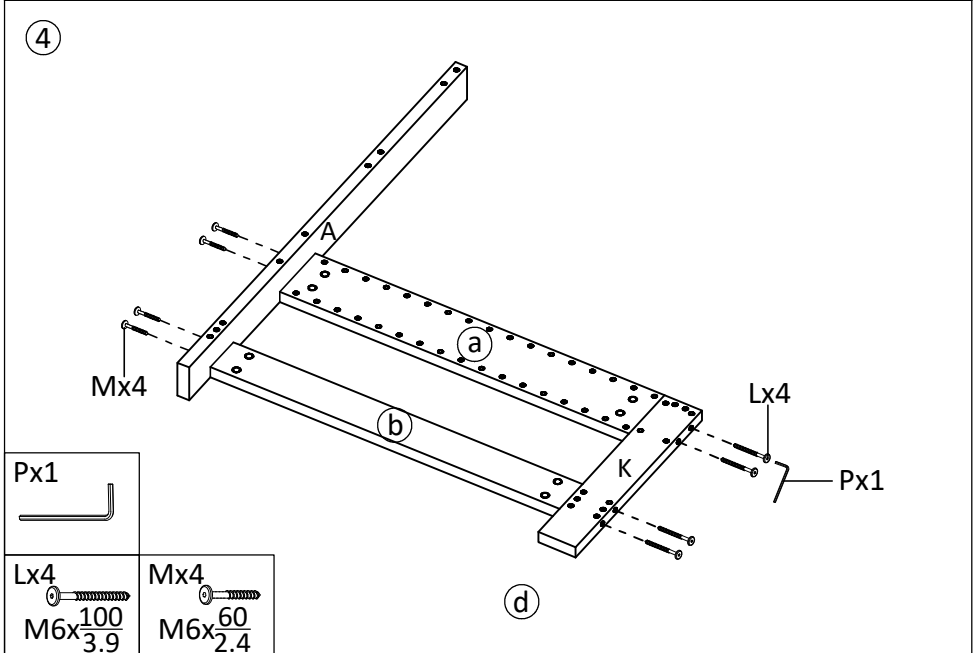
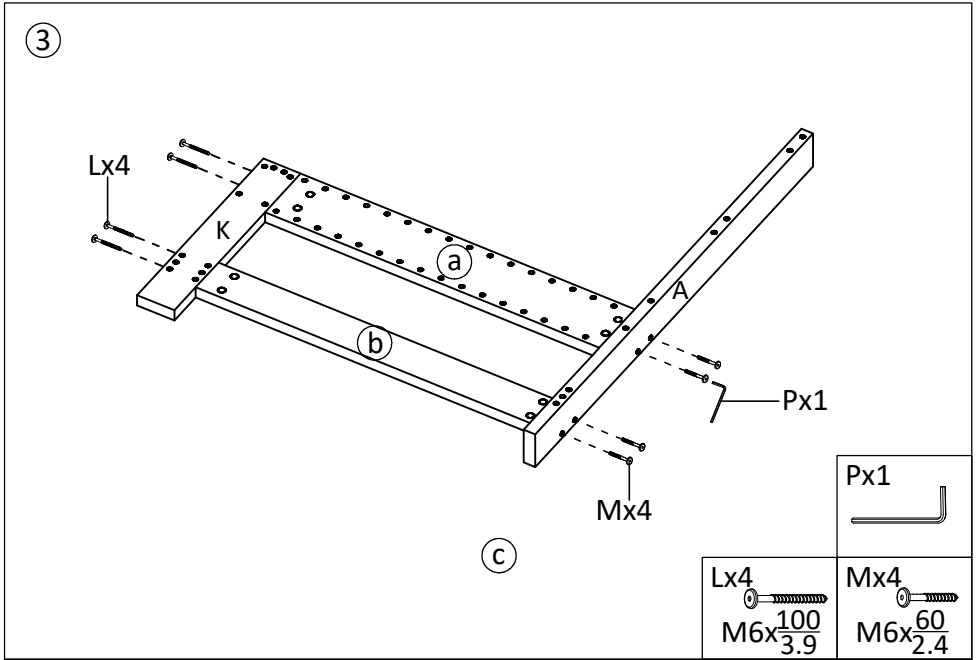
Ox8



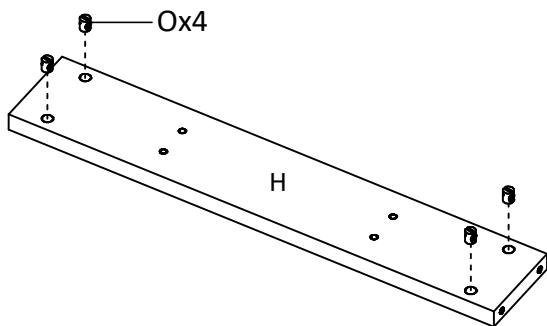
×



✓



5

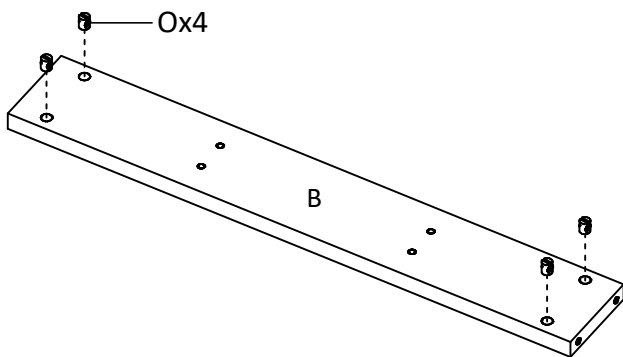


e

Ox4



6

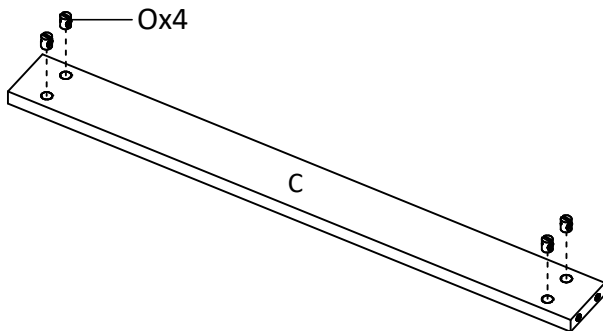


f

Ox4



⑦x2

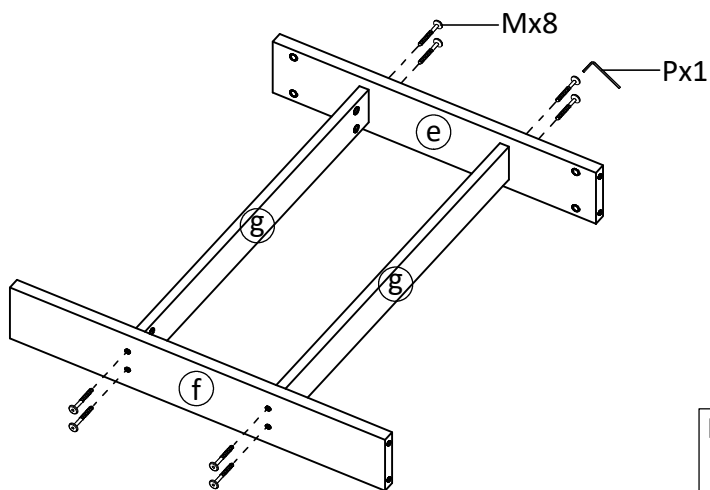


ⓖ

Ox8

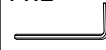


⑧



ⓓ

Px1

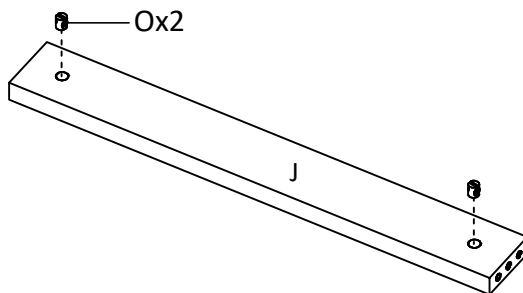


Mx8



M6x $\frac{60}{2.4}$

9

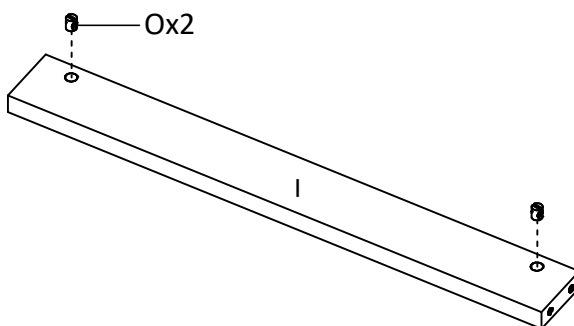


i

Ox2



10x2

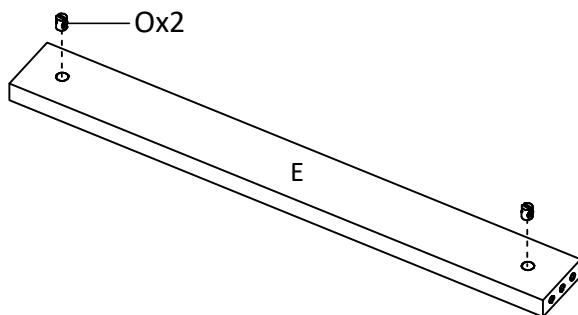


j

Ox4



11

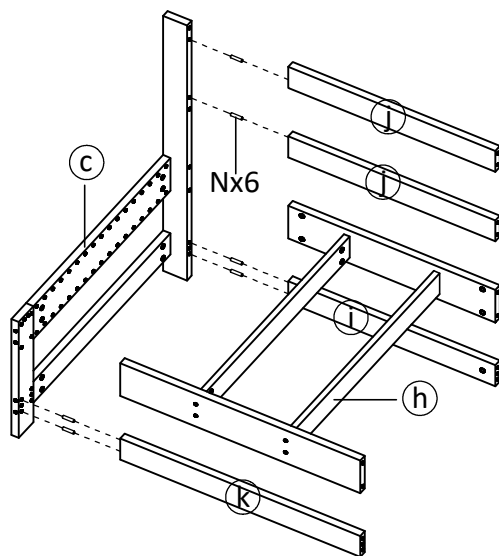


(k)

Ox2



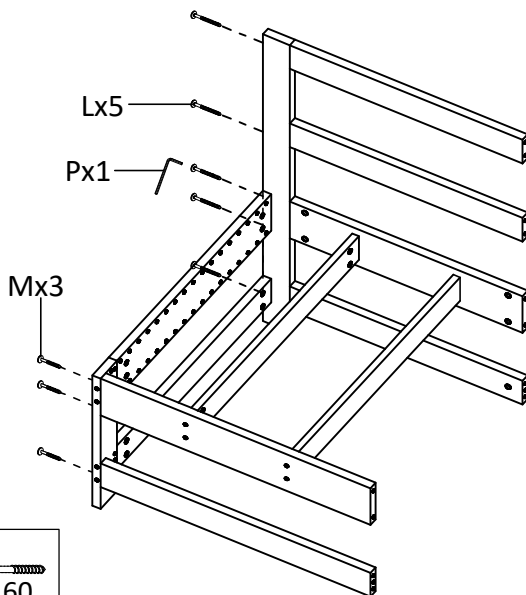
12



Nx6



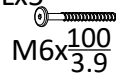
13



Px1

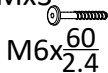


Lx5



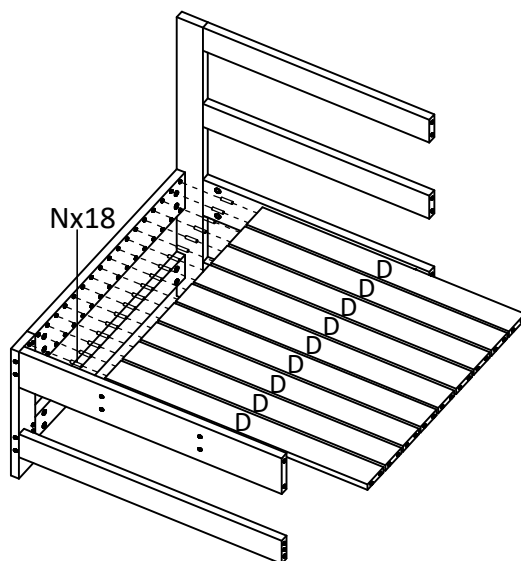
M6x $\frac{100}{3.9}$

Mx3



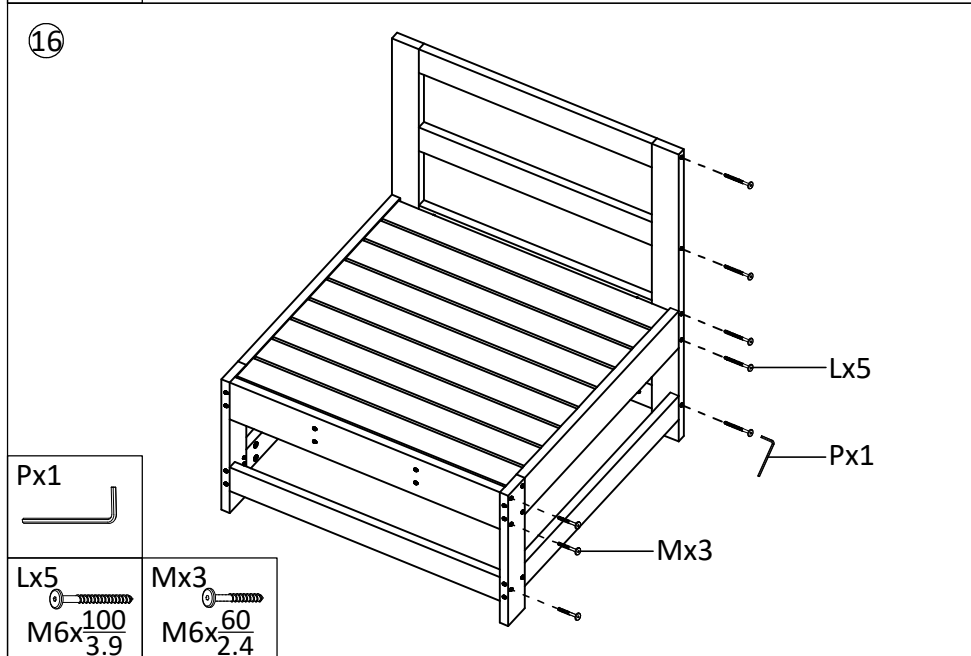
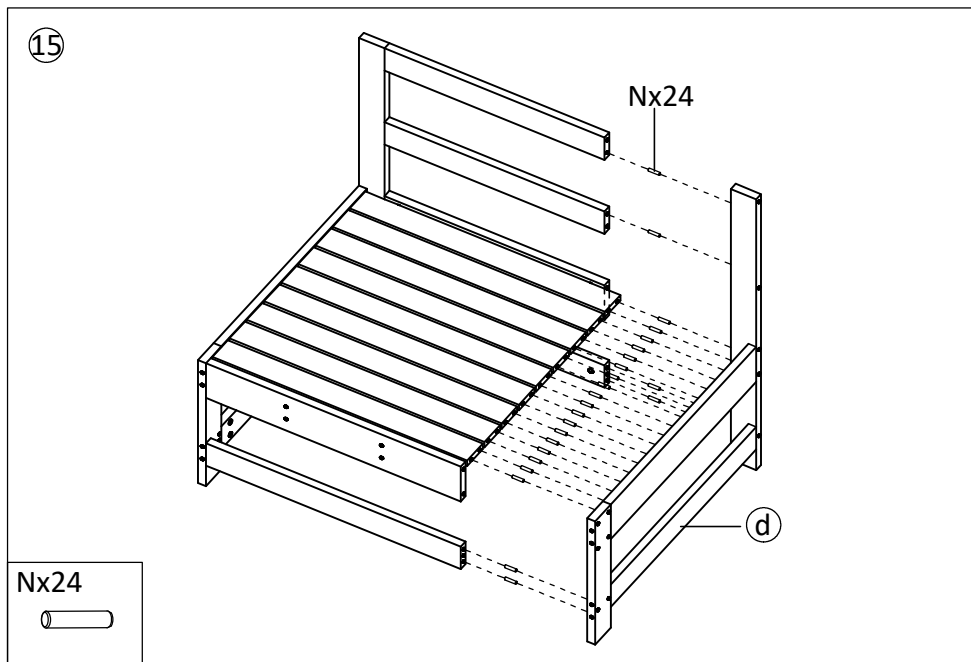
M6x $\frac{60}{2.4}$

14

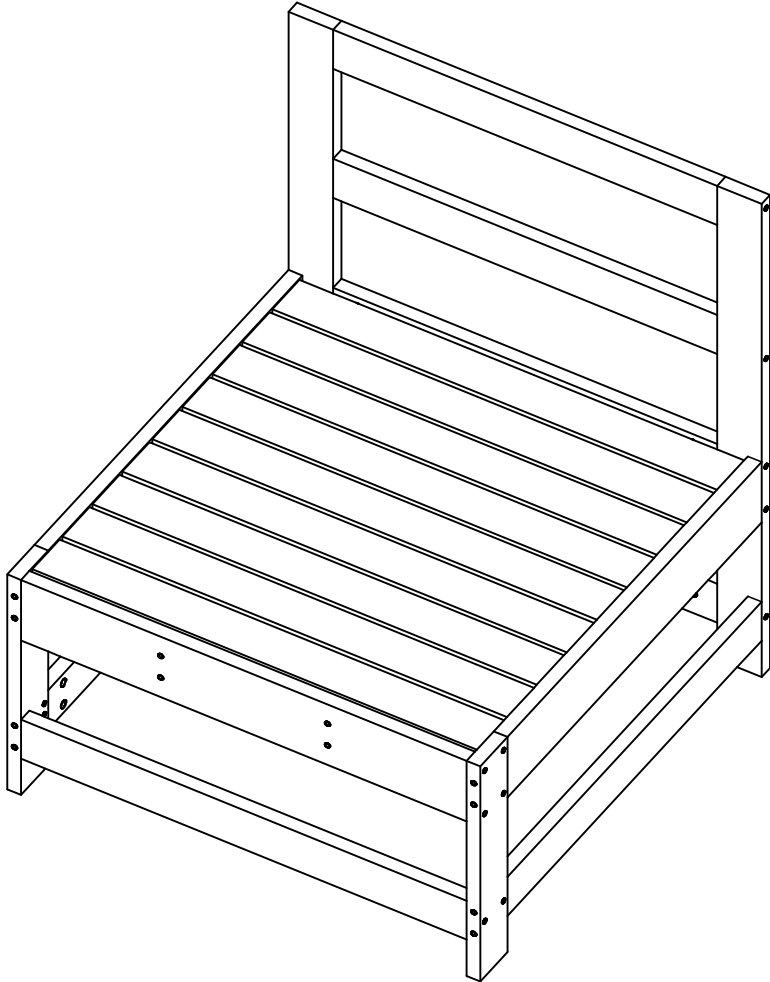


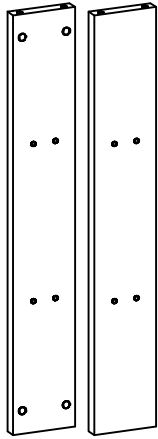
Nx18



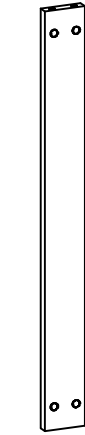


17



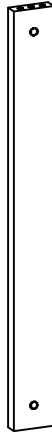


Ax2



$\frac{582 \times 58}{22.9 \times 2.3}$

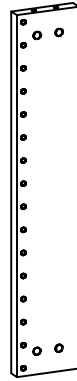
Bx2



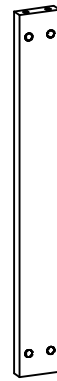
Cx2



Dx9

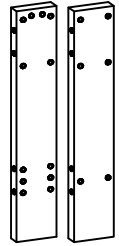


Ex2



$\frac{502 \times 58}{19.8 \times 2.3}$

Fx2



Gx4



M6x $\frac{100}{3.9}$   
Hx16



M6x $\frac{60}{2.4}$   
Ix20



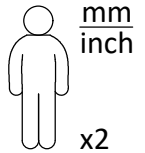
Jx44

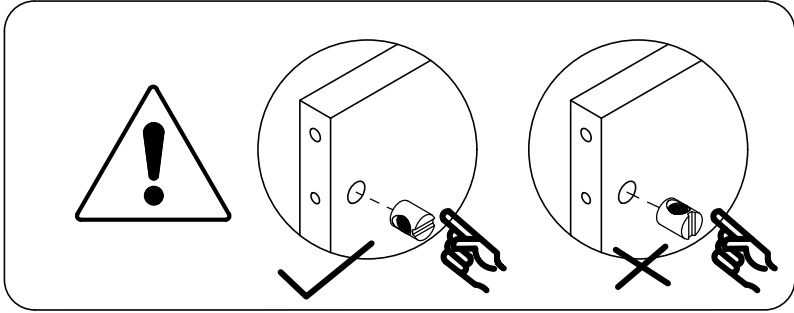


Kx36

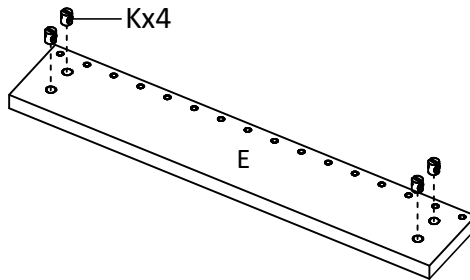


Lx1





①x2

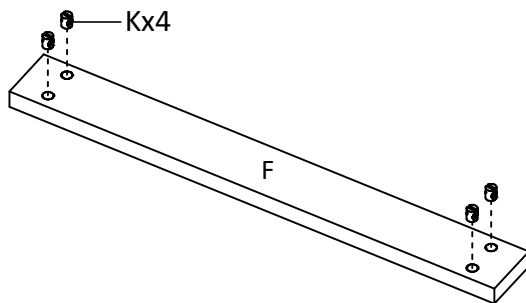


①a

Kx8

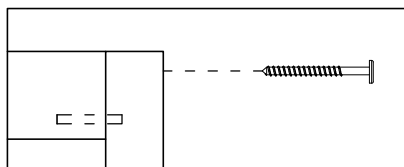
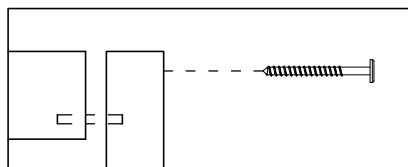


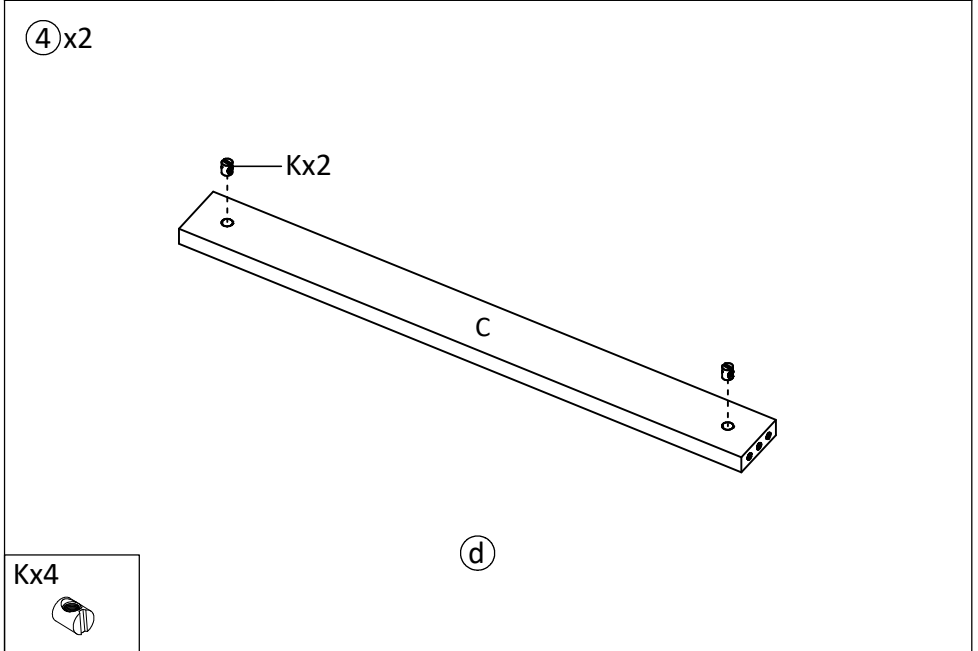
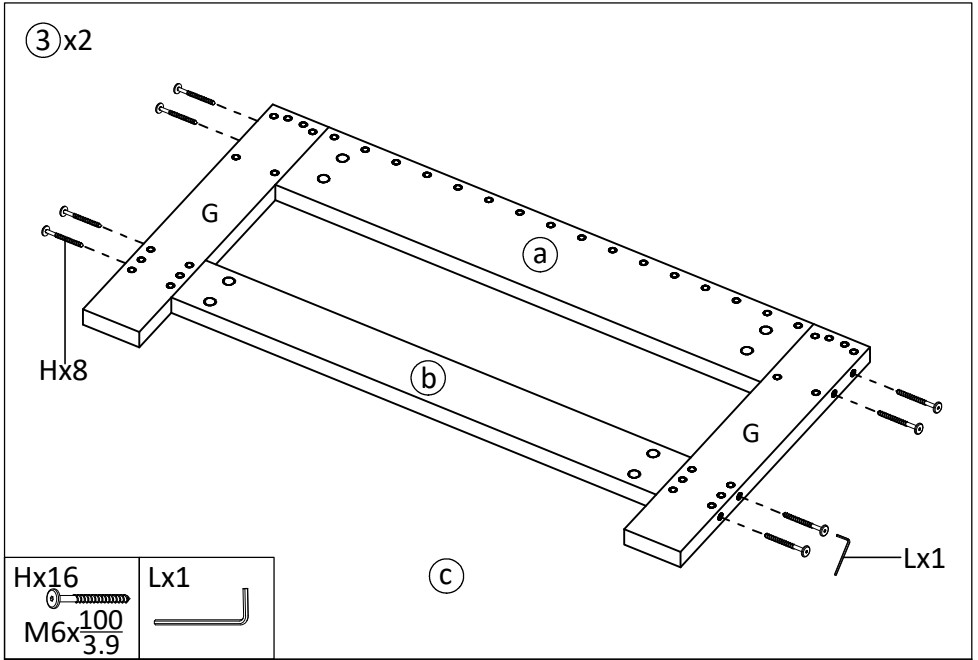
②x2



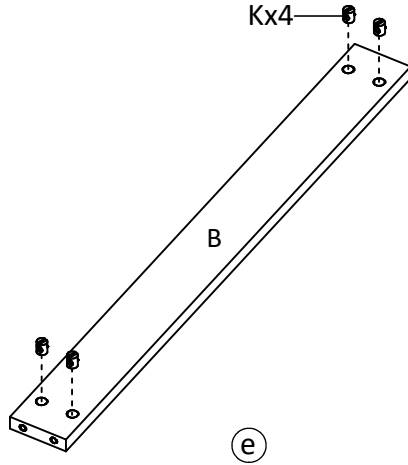
ⓑ

Kx8





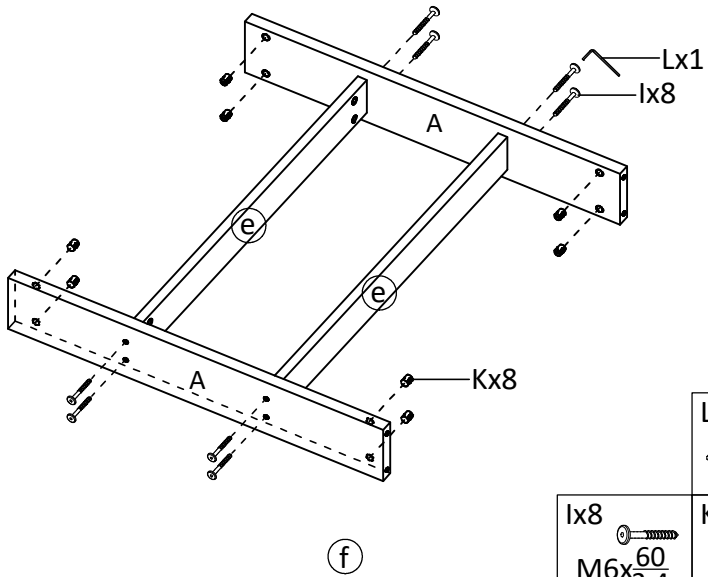
⑤x2



Kx8



⑥



Lx1



Ix8



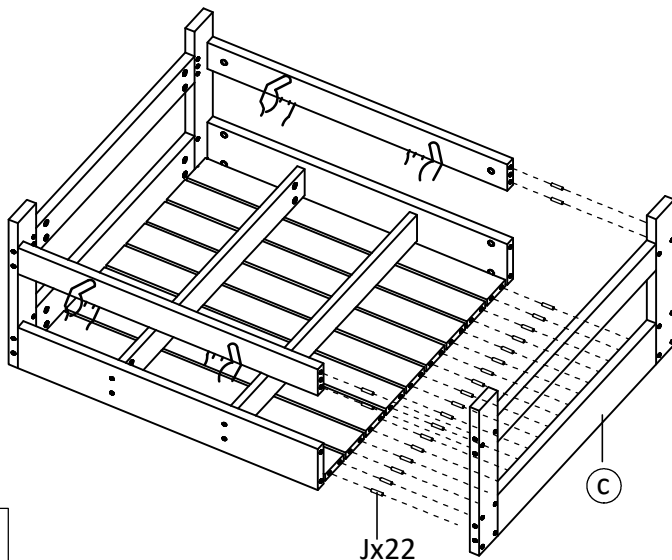
M6x60  
2.4

Kx8





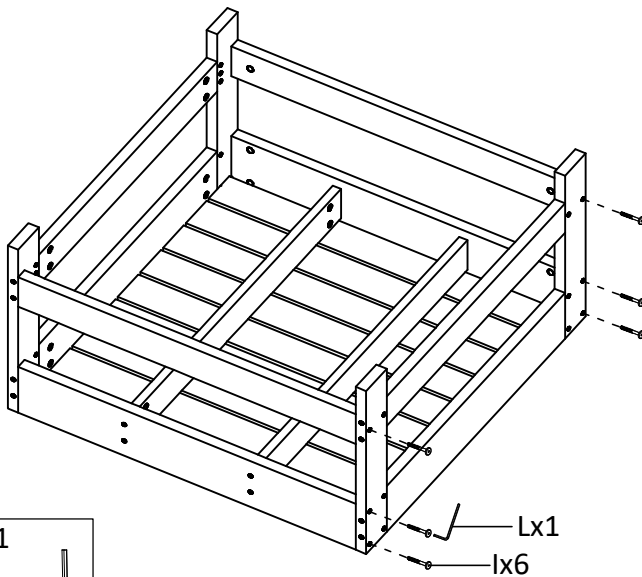
9



Jx22



10



Ix6

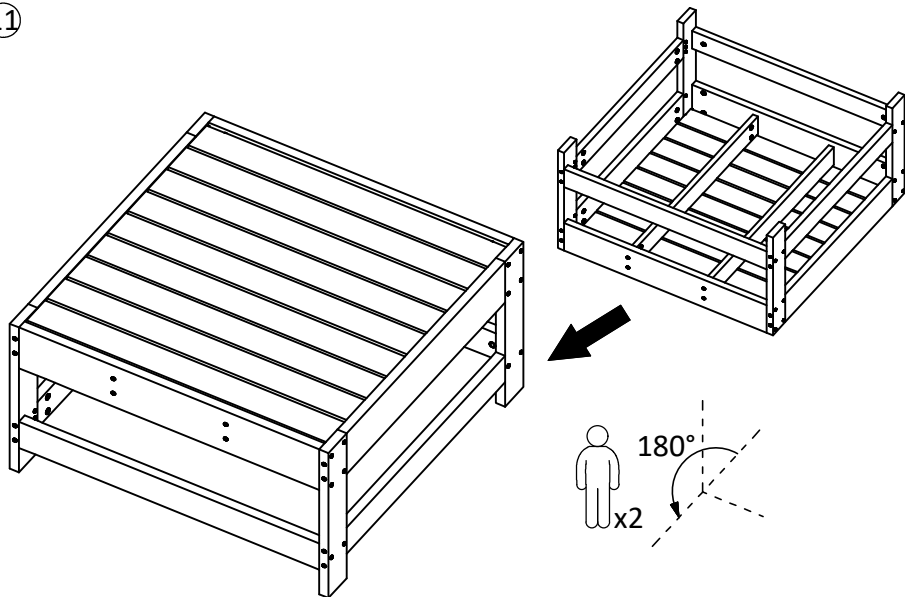


M6x60  
2.4

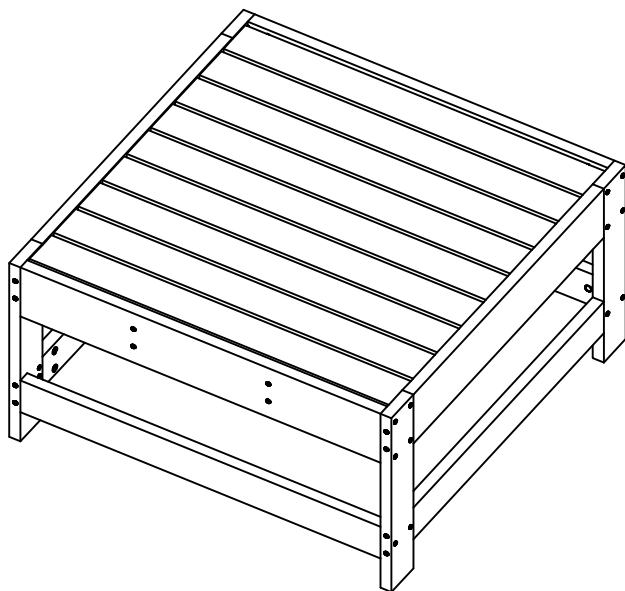
Lx1



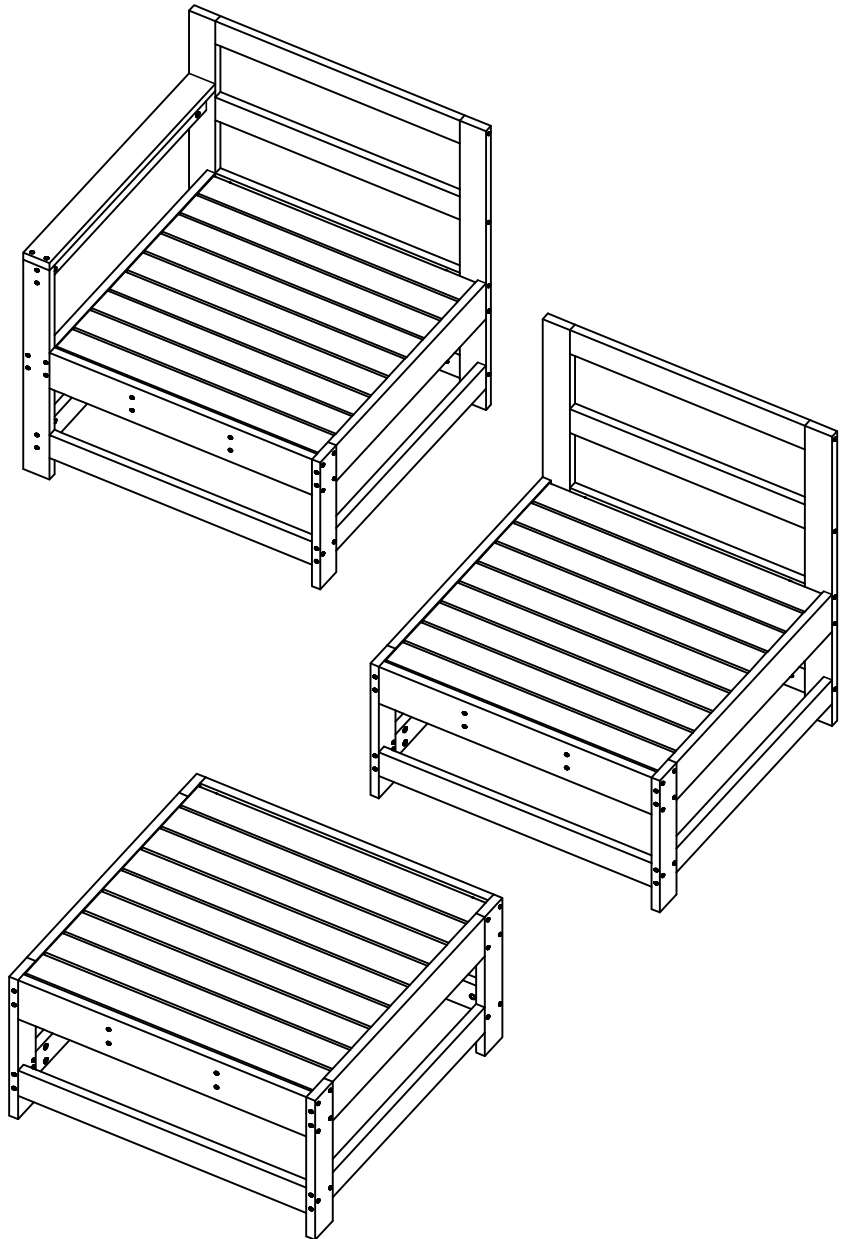
11



12



13



## **vidaXL**

Haba Trading B.V.

Mary Kingsleystraat 1, 5928SK Venlo, The Netherlands [DE] Die Niederlande [PL] Królestwo Niderlandow [ES] Países Bajos [PT] Países Baixos [RO] Olanda [HU] Hollandia [CZ] Nizozemsko [SK] Holandsko [LT] Nyderlandai [TR] Hollanda

HB Commerce PTY LTD

Level 16, 201 Elizabeth Street, Sydney NSW 2000, Australia

vidaXL LLC

2250 Palmetto Ave, Redlands, CA 92374, USA

HBI COMMERCE LIMITED

C/O Tmf Group 8th Floor, 20 Farringdon Street, London, United Kingdom EC4A 4AB

VIDAXL MARKETPLACE E-TİCARET LİMİTED ŞİRKETİ

Huzur Mh. Maslak Ayazağa Cd.Uniç İstanbul No. 4/B, Sarıyer, İstanbul, 34396, Turkey

ТОВАРИСТВО З ОБМЕЖЕНОЮ ВІДПОВІДАЛЬНІСТЮ відаХЛ

Yaroslavska str. 39G, Kyiv, 04071, Ukraine

vidaXL 合同会社

千代田区麹町四丁目5番地20KSビル8F

VIDAXL MARKETPLACE LTD.

300-939 GRANVILLE STREET, VANCOUVER BC V6Z 1L3, CANADA

VIDAXL MARKETPLACE SOCIEDAD DE RESPONSABILIDAD LIMITADA DE CAPITAL VARIABLE

Avenida Insurgentes Centro, No. 64, Oficina B - 601, Colonia Juárez, Alcaldía Cuauhtémoc, Código Postal 06600, Ciudad de México, Mexico

فيذا اكس ال دي دبليو سي ش ذ م م  
الطابق 3 المركز التجاري بدبي جنوب

**[www.vidaXL.com](http://www.vidaXL.com)**