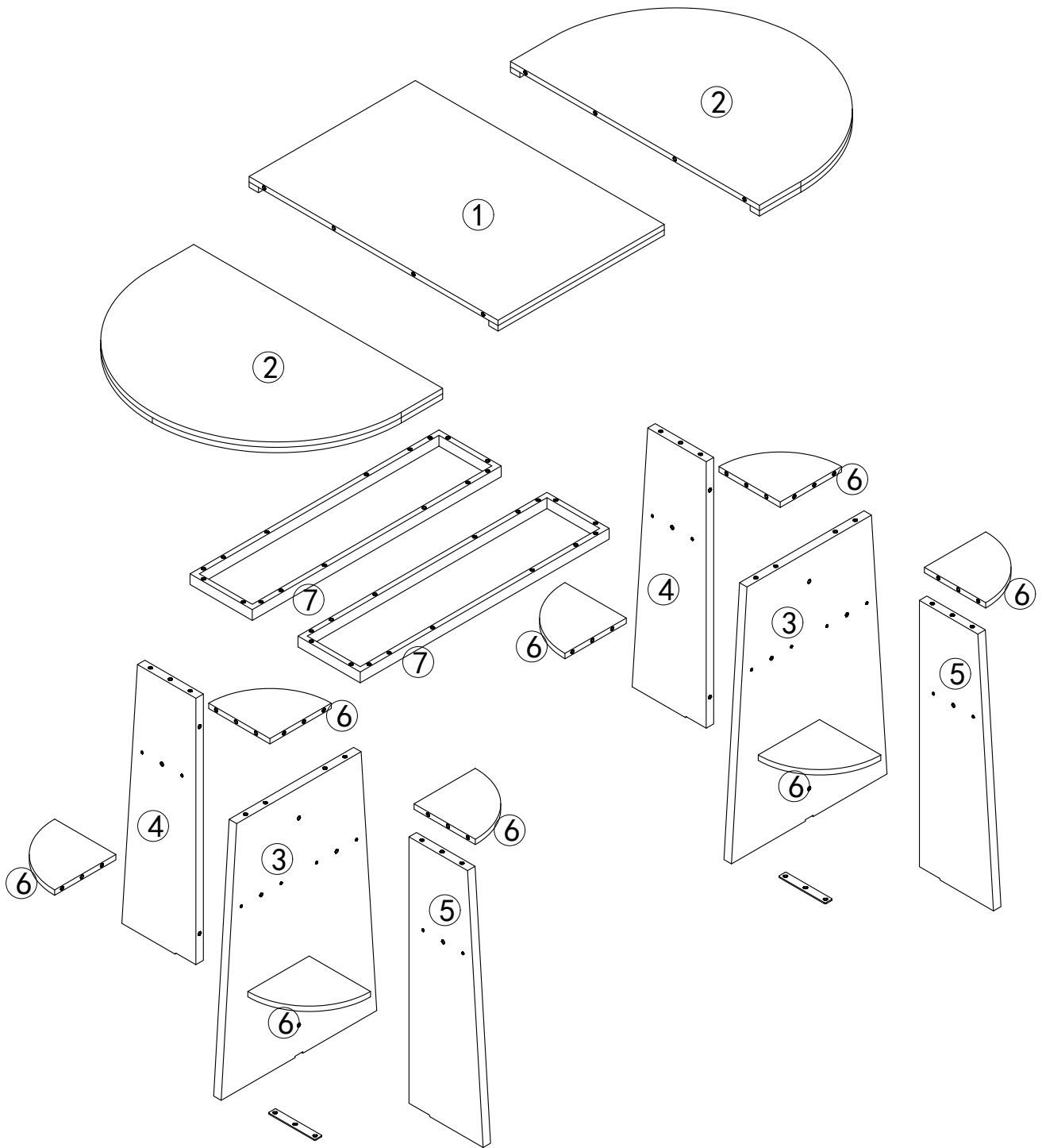








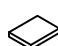



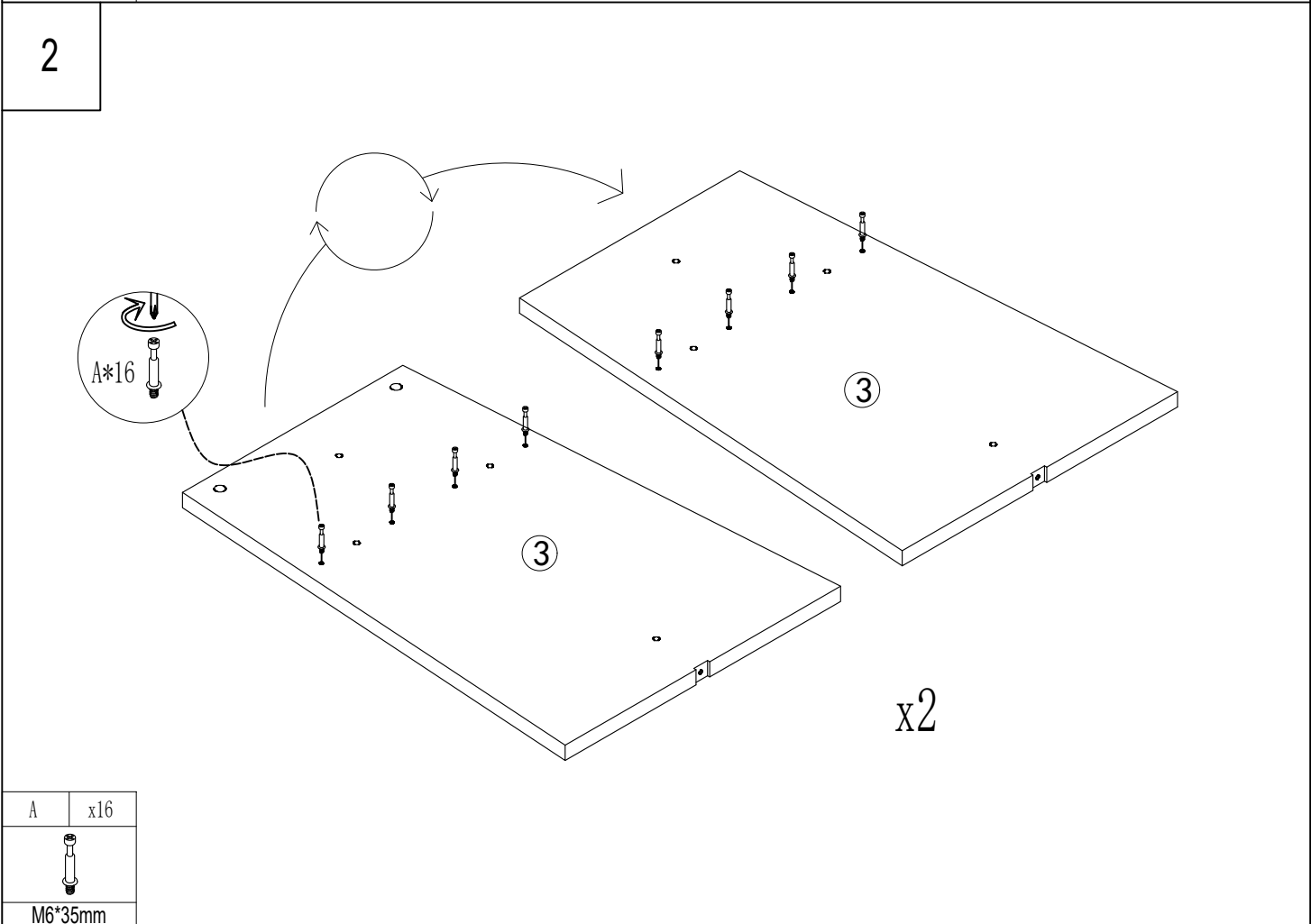
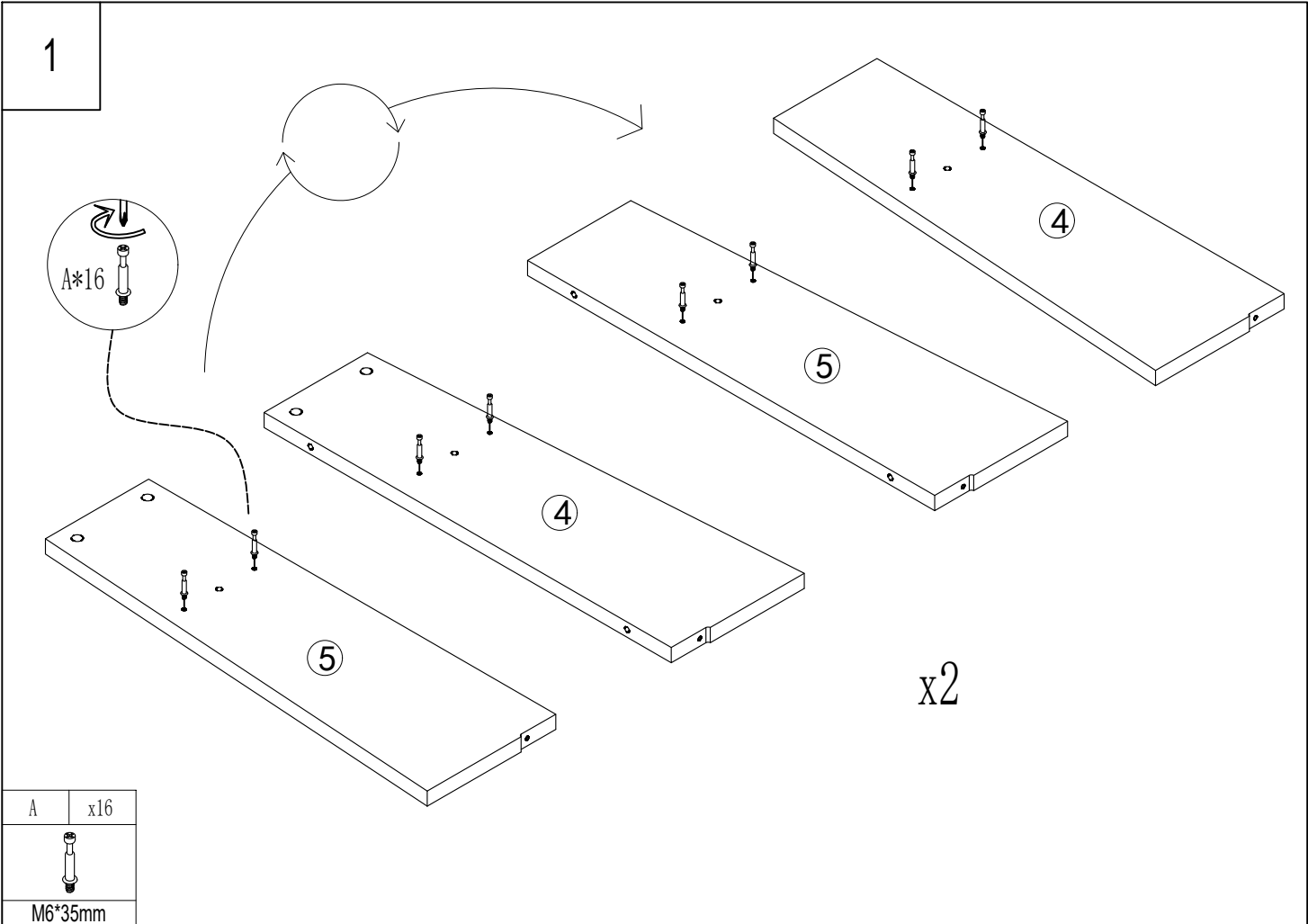
# Assembly Manual



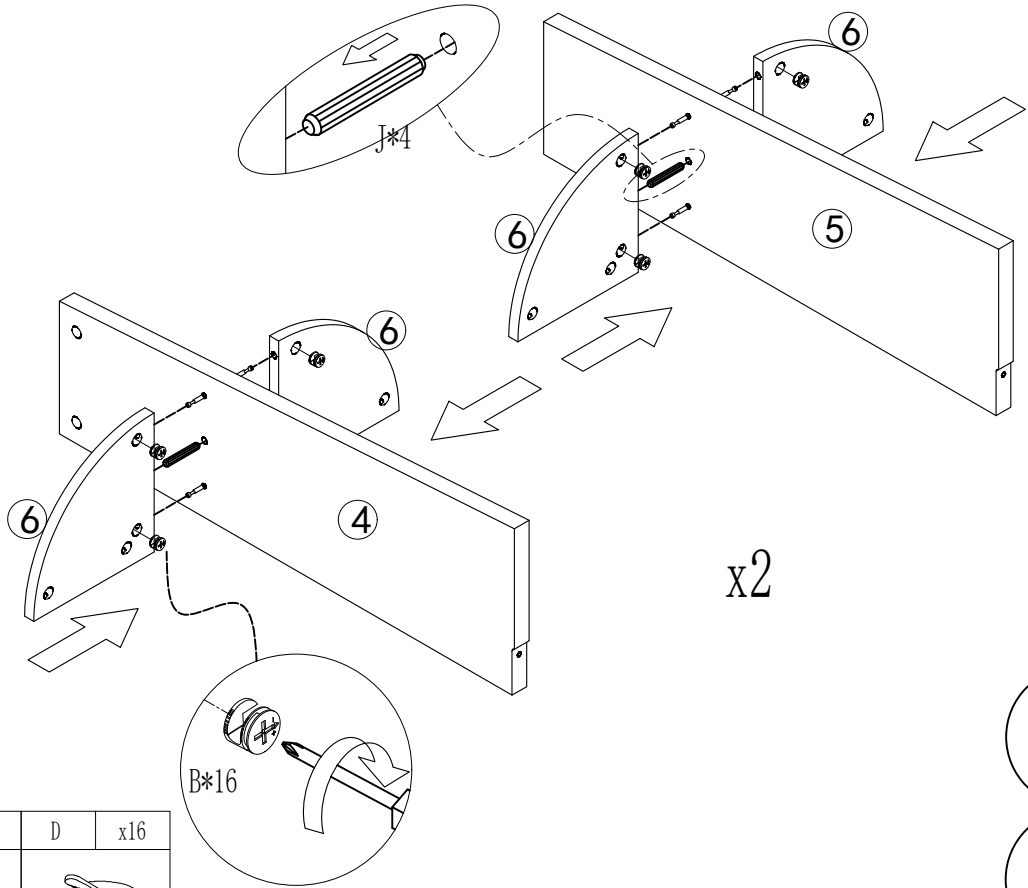


J	x12
 Ø8*60mm	

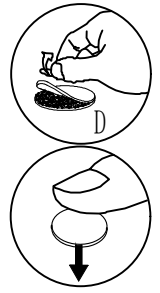
A	x44	B	x44	C	x16	D	x44	E	x32	F	x6	G	x1	H	x8	I	x2
																	
M6*35mm		Ø15*11mm		Ø8*30mm		Ø20mm		M6*40mm		M7*40mm		4MM		30*20*5mm		150*22*3mm	



3

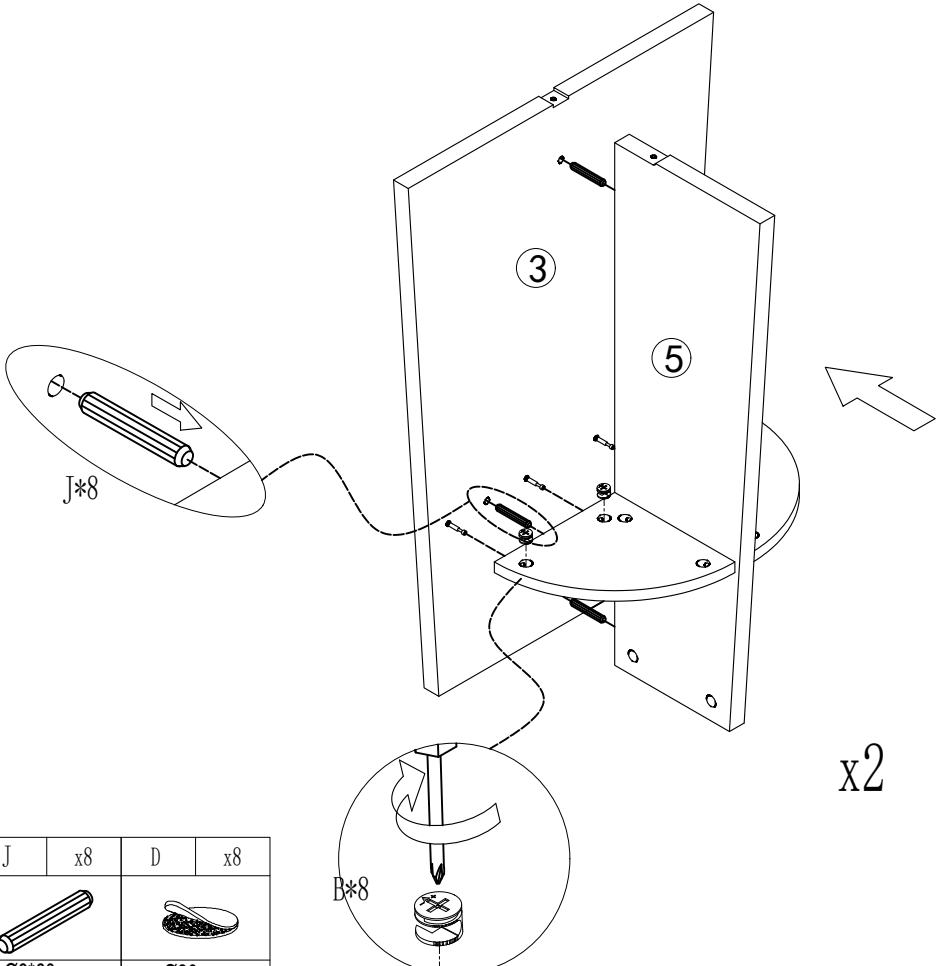


x2

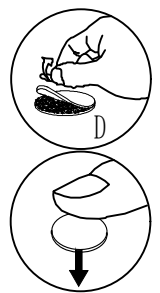


B	x16	J	x4	D	x16
Ø15*11mm		Ø8*60mm		Ø20mm	

4

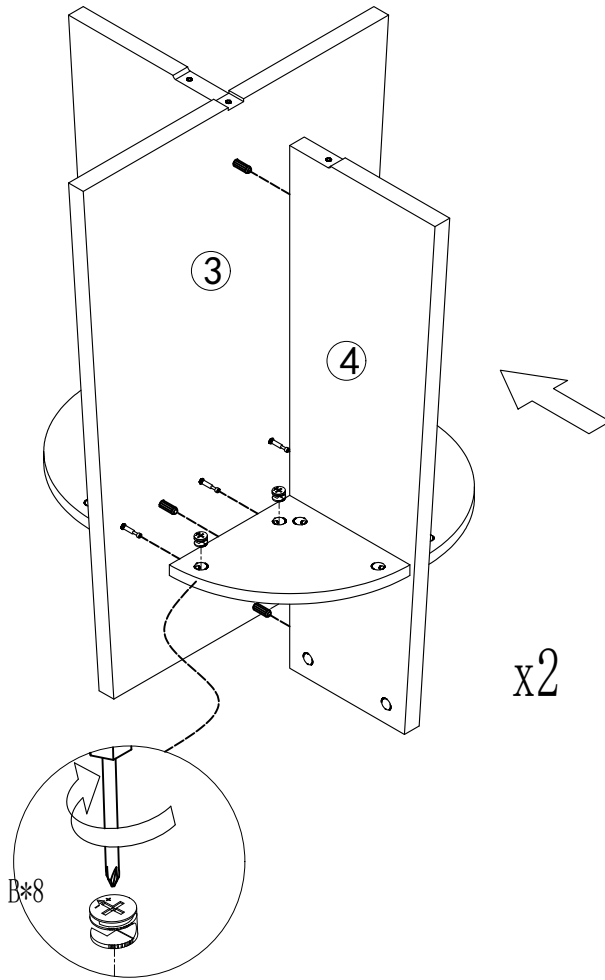


x2



B	x8	J	x8	D	x8
Ø15*11mm		Ø8*60mm		Ø20mm	

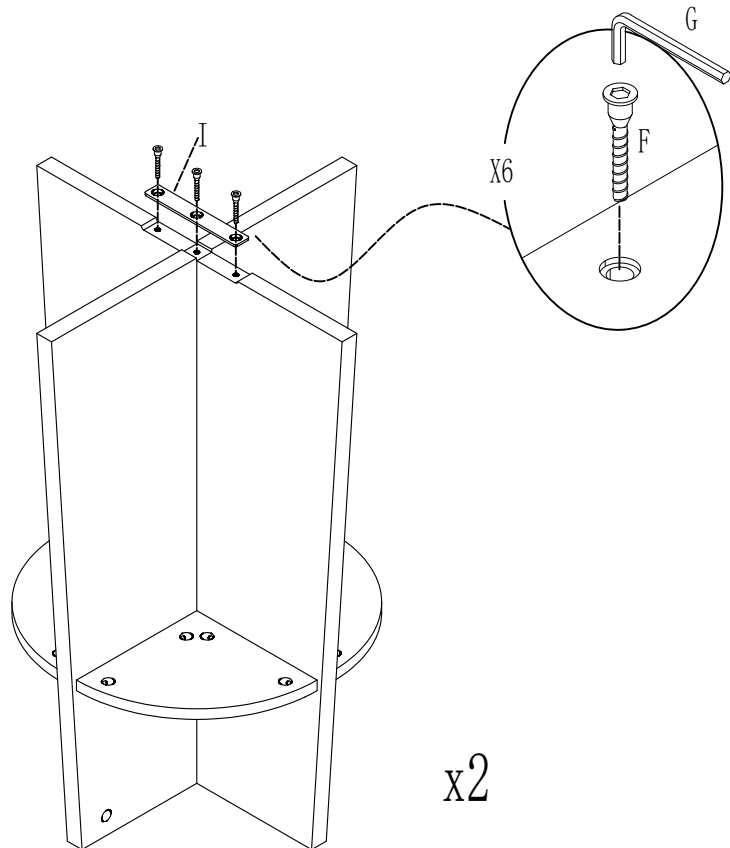
5



x2

B	x8	D	x8
Ø15*11mm		Ø20mm	

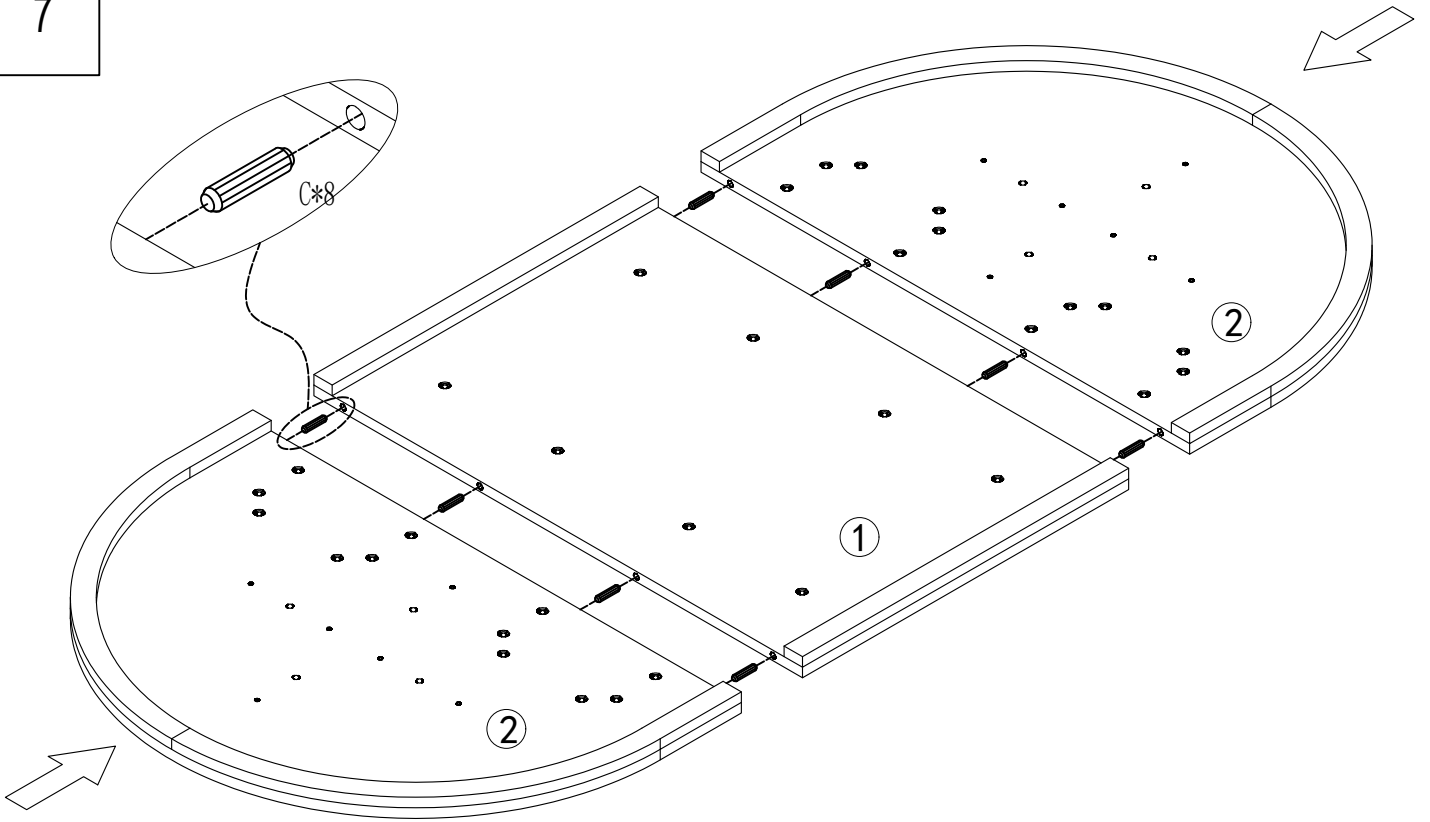
6



x2

F	x6	G	x1	I	x2
M7*40mm		4MM		150*22*3mm	

7



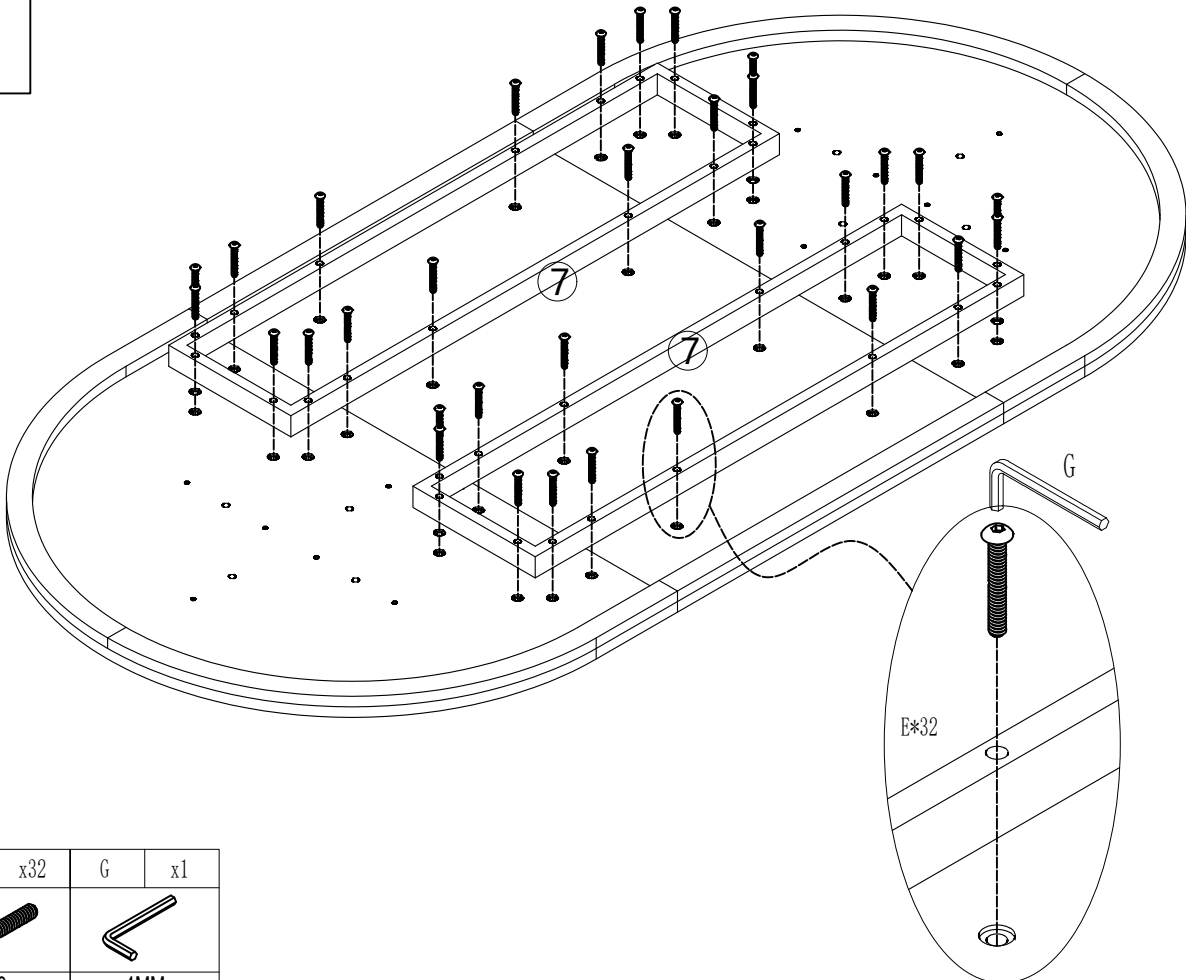
C

x8



Ø8\*30mm

8



E

x32

G

x1

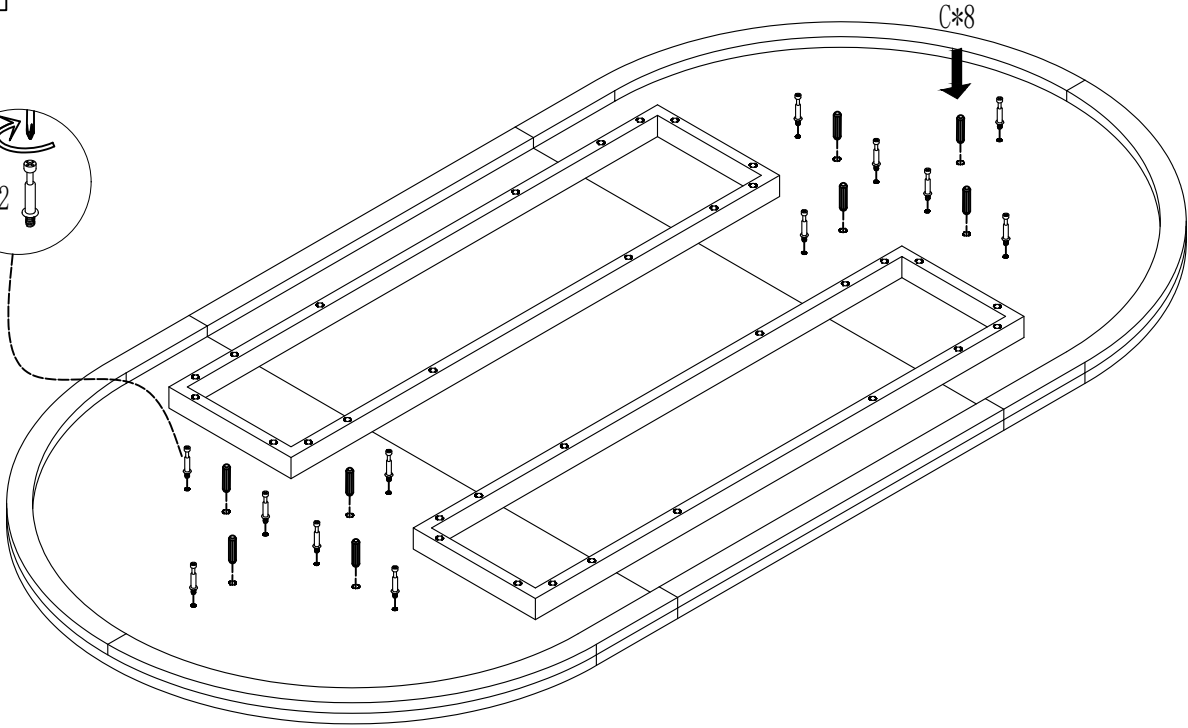
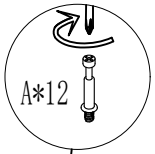


M6\*40mm



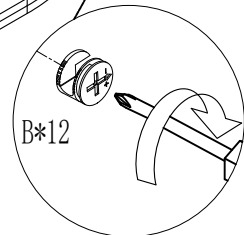
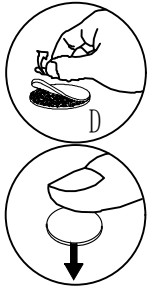
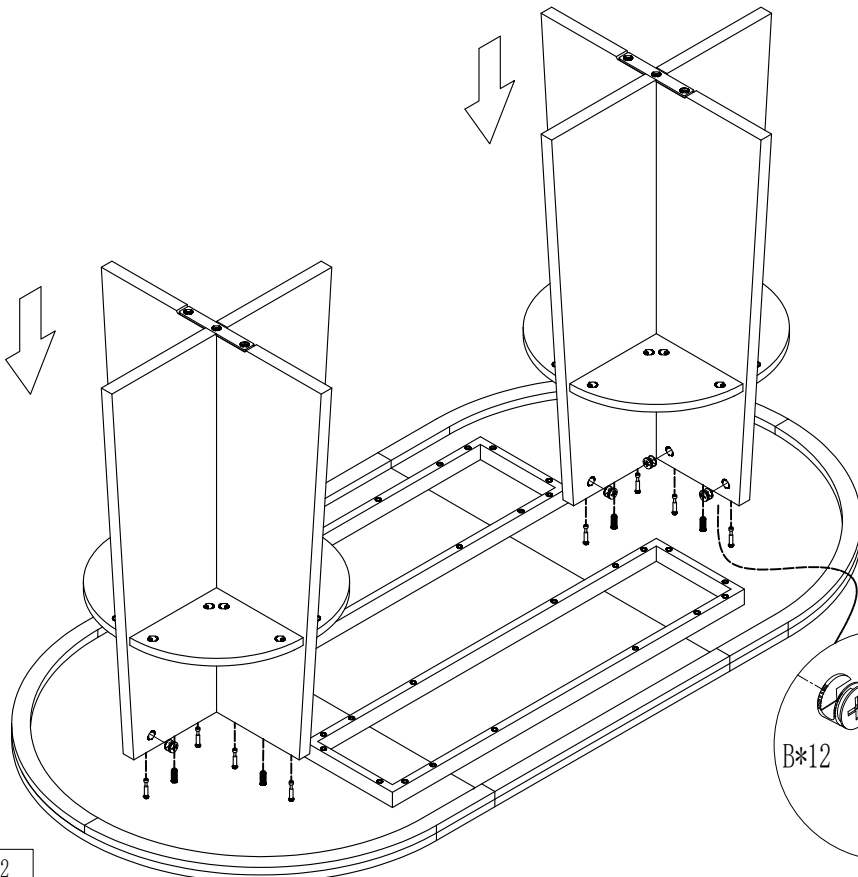
4MM

9



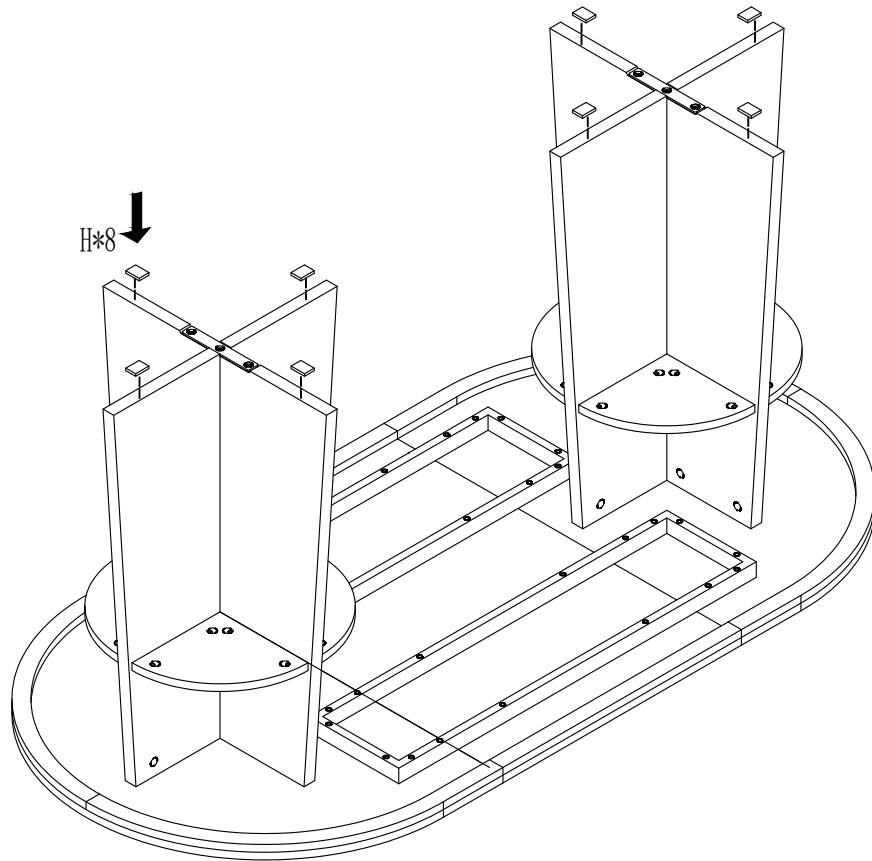
A	x12	C	x8
M6*35mm		Ø8*30mm	

10



B	x12	D	x12
Ø15*11mm		Ø20mm	

11



H x8



30\*20\*5mm

12

