

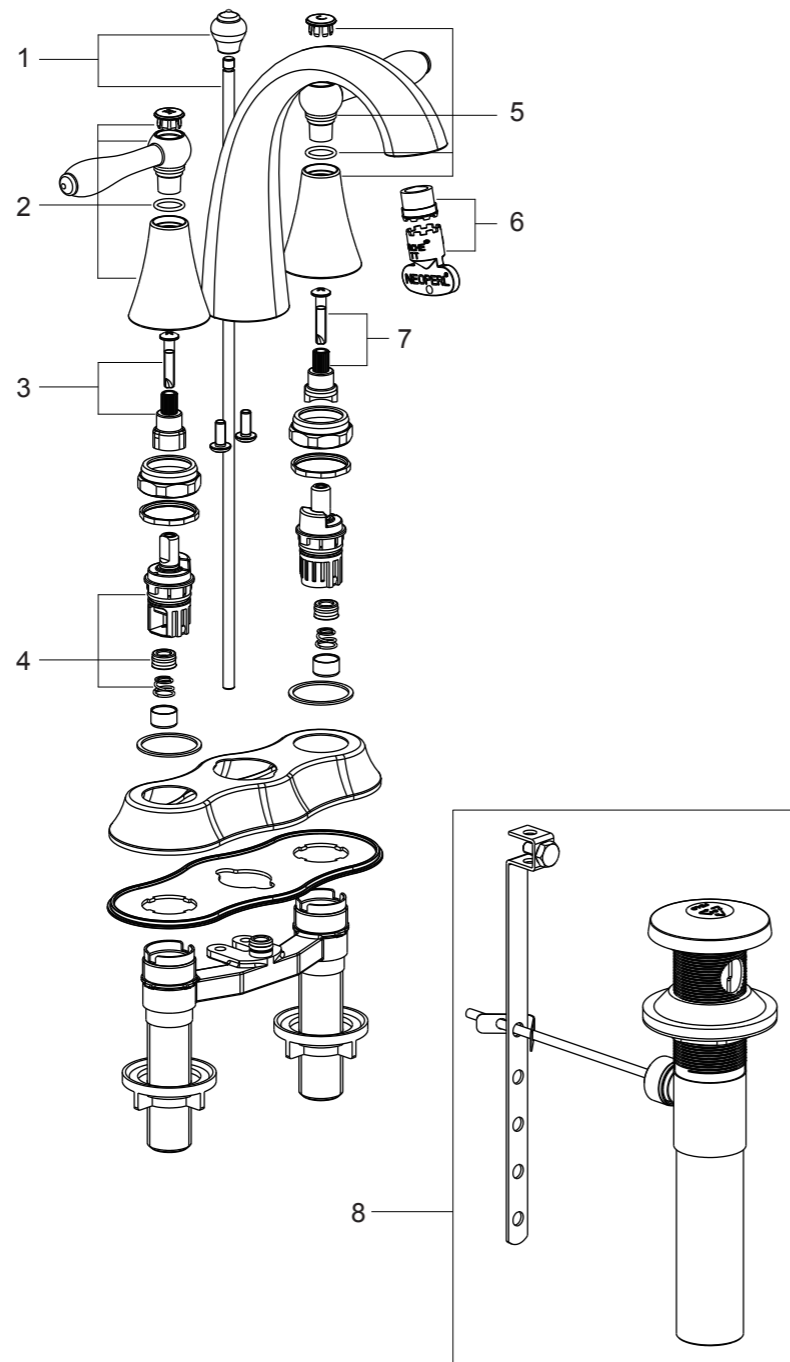
UF45310
UF45313
UF45315

Contour Collection

Two-Handle Lavatory Faucet



No.	Description	Part No.
1	Lift Rod	5Y0037300CP/AP/HA0
2	Handle Assembly-Hot	5Y0210400CP/AP/HA0
3	Handle Adaptor-Hot	5Y0210500NT0
4	Cartridge Assembly	9V0001NT
5	Handle Assembly-Cold	5Y0210700CP/AP/HA0
6	Aerator & Aerator Wrench	9Q252500PL
7	Handle Adaptor-Cold	5Y0210800NT0
8	Pop-Up Assembly	5Y0M0088CP/AP/HA



Installation/Installation/Instalación

CUSTOMER SERVICE
TOLL-FREE 1-888-OK-ULTRA (658-5872)

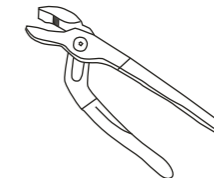


UF45310 - Polished Chrome
UF45313 - PVD Brushed Nickel
UF45315 - Oil Rubbed Bronze

Tools You Will Need / Outils dont vous aurez besoin / Herramientas necesarias



Adjustable Wrench
Clé à molette
Llave ajustable



Groove joint pliers
Pince multiprise
Pinzas ajustables

Limited Lifetime Warranty

Ultra Faucets warrants to the original purchaser that its products will be free from defects in workmanship and materials. All Ultra Faucets are provided with a life time limited warranty. This warranty does not cover any other labor or service charges associated with the removal, repair, or reinstallation of Ultra Faucets products. This express warranty does not apply to products that have been damaged as a result of misuse, abuse, negligence, accident, faulty installation or maintenance practices and/or used in any manner contrary to those recommended by the manufacturer.

Need help? Please call our toll-free customer service line at 1-888-658-5872 for additional assistance or service.

Besoin d'aide? Veuillez communiquer avec notre service à la clientèle au numéro gratuit 1-888-658-5872 pour tous renseignements ou services complémentaires.

¿Requiere asistencia? Llame a nuestro Servicio al Cliente, sin costo, al 1-888-658-5872 para asistencia adicional o servicio.

SAFETY TIPS

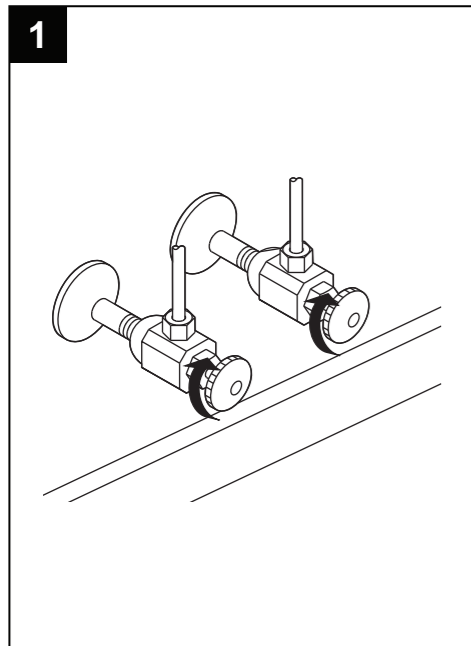
- If you use soldering for the installation of the faucet, the seats, cartridges and washers will have to be removed before using flame. Otherwise, warranty will be void on those parts.
- Cover your drain to avoid losing parts.
- 0°C~55°C.

CONSIGNES DE SÉCURITÉ

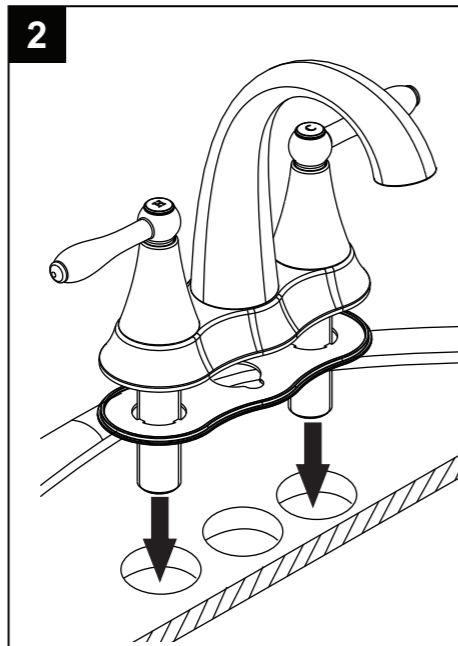
- Si vous posez le robinet par brasage, il est essentiel de retirer les sièges, les cartouches et les rondelles avant d'appliquer la flamme, faute de quoi la garantie sur ces pièces sera annulée.
- Couvrez le drain pour ne pas perdre des pièces.
- 0°C~55°C.

CONSEJOS DE SEGURIDAD

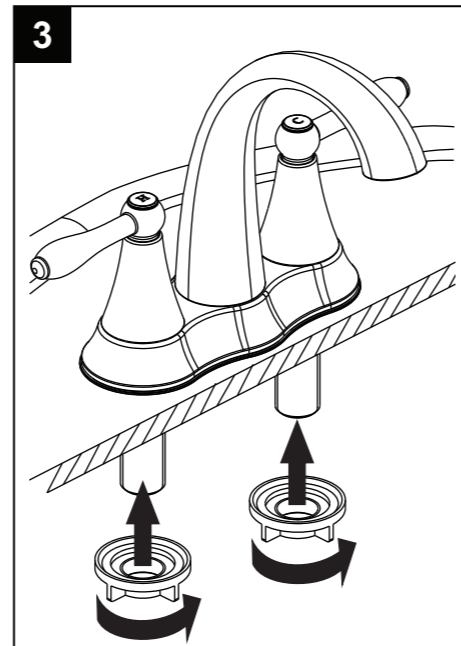
- En el caso de utilizar soldadura para instalar el grifo, remueva los asientos, cartuchos y arandelas antes de usar la llama. De lo contrario, se anulará la garantía para esos componentes.
- Tape la boca del desagüe para prevenir la pérdida de piezas pequeñas.
- 0°C~55°C.



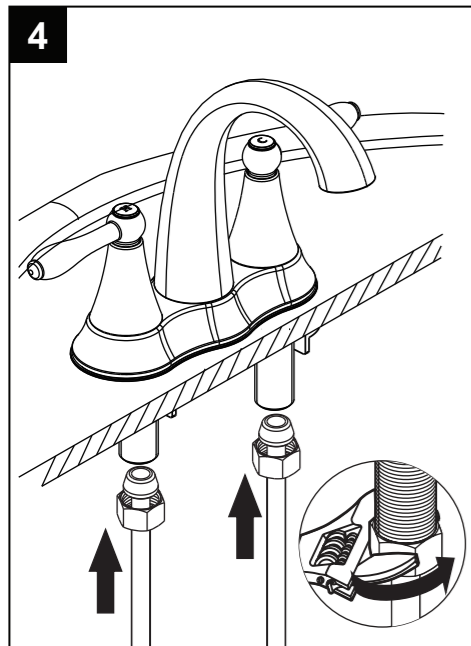
Shut off valves and turn water off.



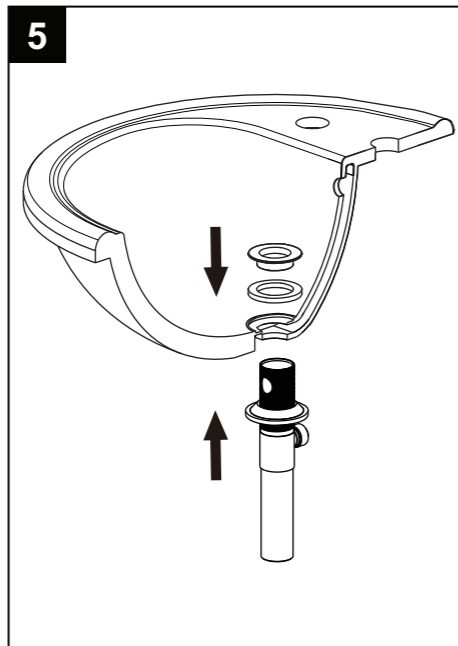
Lower spout into mounting hole.



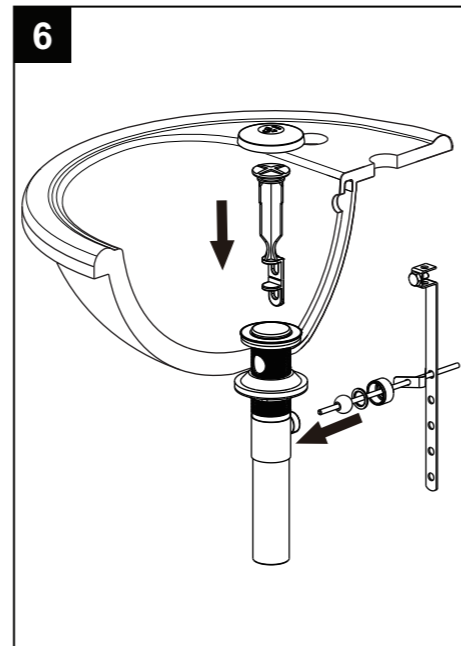
Carefully tighten spout nut to secure spout.



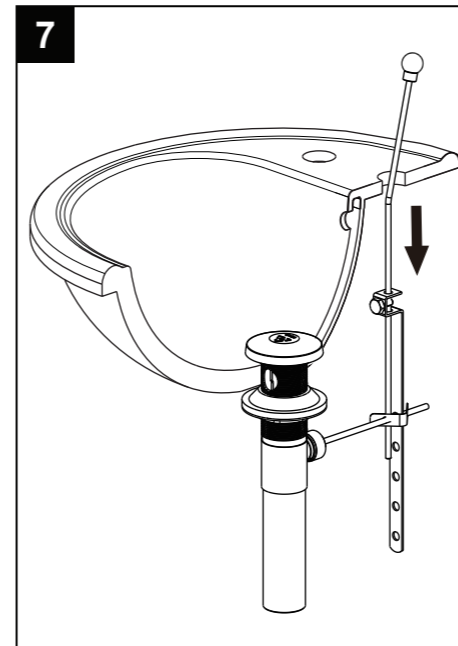
Install water inlet hoses with a wrench.



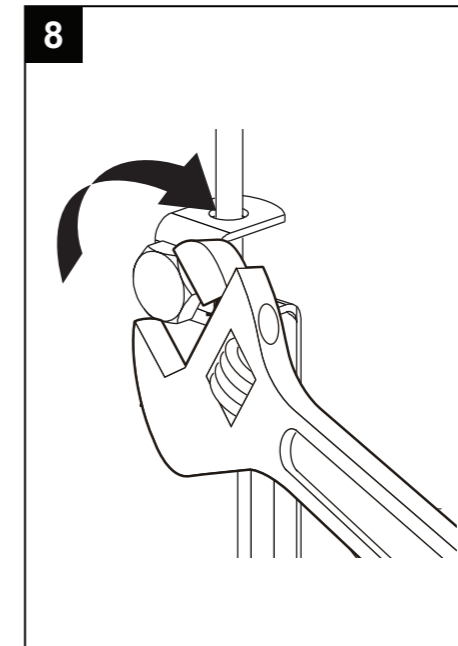
Slide drain trim and plug into drain hole and secure from below with washer and nut. Attach the drain tail piece to drain body.



Install the drain stopper assembly and attach the movable rod assembly into the drain body.



Attach the lift rod to the strap.



Tighten the screw in the strap onto the lift rod.



Remove aerator assembly and flush out debris. Reinstall aerator assembly.