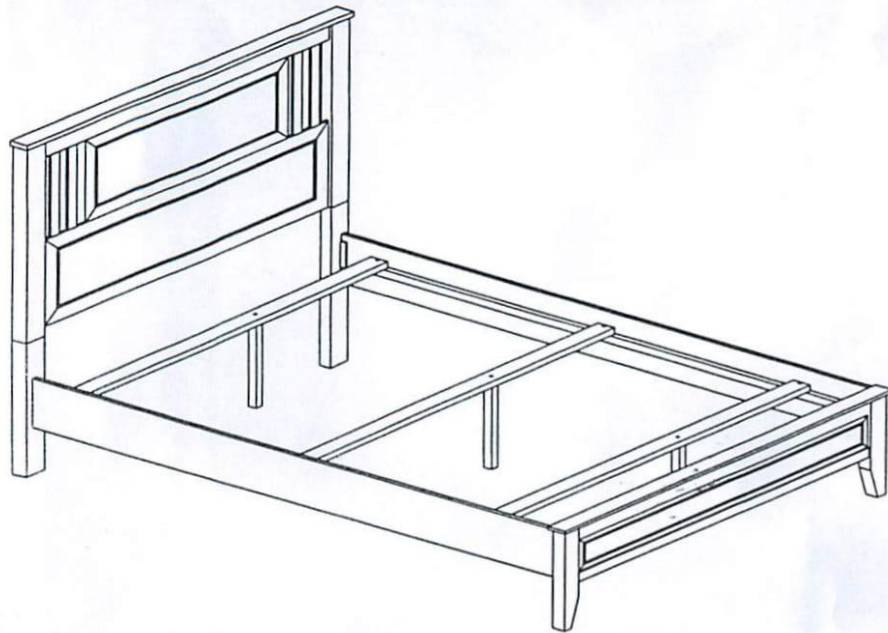
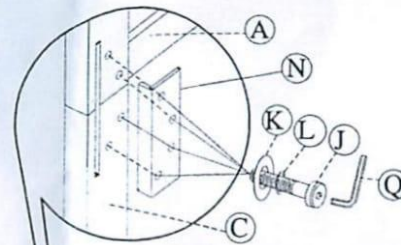


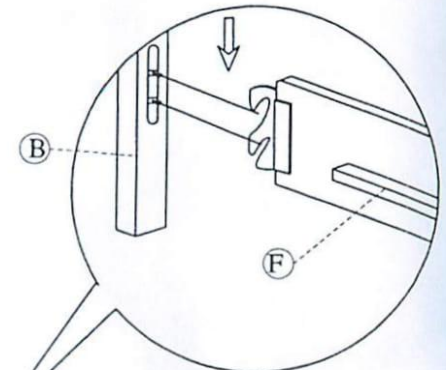
ASSEMBLY INSTRUCTION



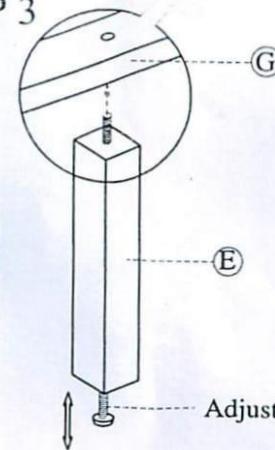
STEP 1



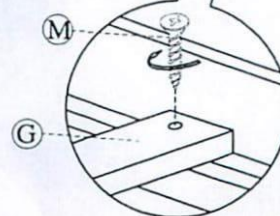
STEP 2



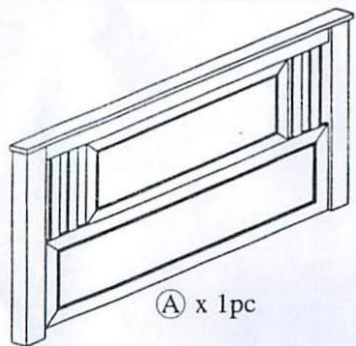
STEP 3



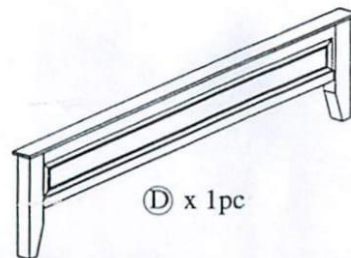
STEP 4



Parts list

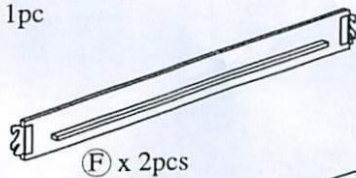


A x 1pc



D x 1pc

C x 1pc(Left)



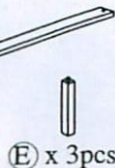
F x 2pcs



B x 1pc(Right)



G x 3pcs



E x 3pcs

Hardware list

J		Ø1/4"x25	8pcs
K		Ø1/4"	8pcs
L		Ø1/4"	8pcs
M		Ø8 x 25	6pcs
N			2pcs
Q		4 mm	1pc