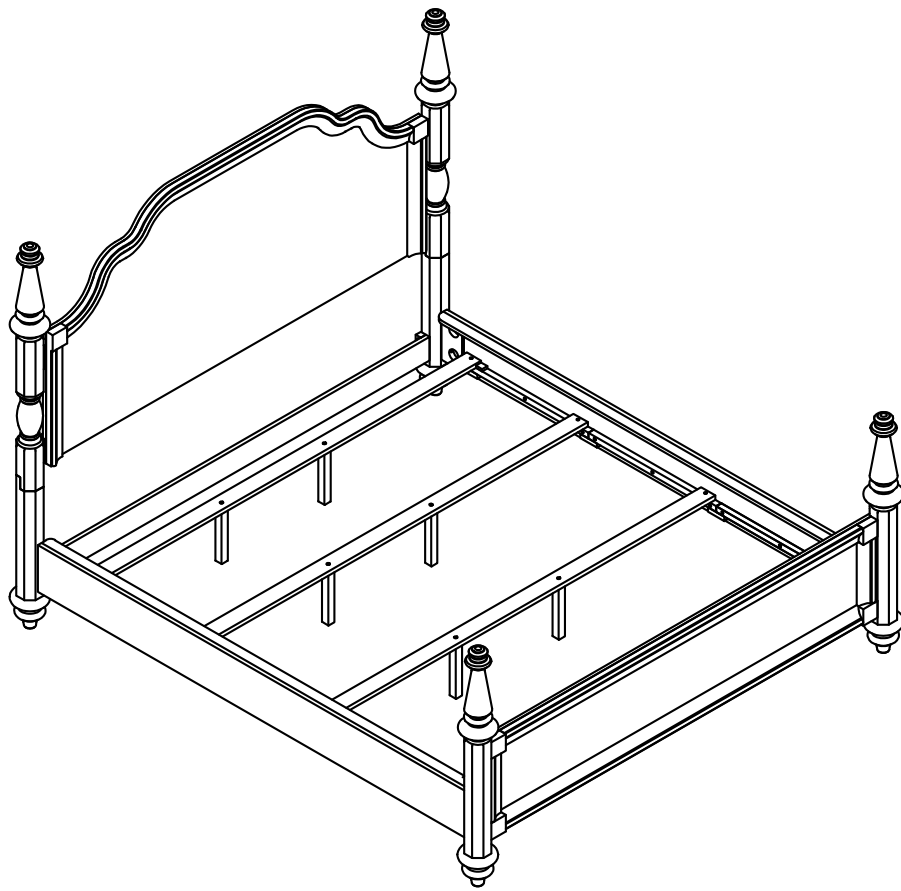


ASSEMBLY INSTRUCTIONS
COASTER FINE FURNITURE



Fine Furniture for every stage of life

223631KW (B1-B3)
California King Bed

ITEM: 223631KW(B1-B3)



ASSEMBLY INSTRUCTIONS

ASSEMBLY TIPS:

1. Remove hardware from box and sort by size.
2. Please check to see that all hardware and parts are present prior to start of assembly.
3. Please follow attached instructions in the same sequence as numbered to assure fast & easy assembly.



WARNING!

1. Don't attempt to repair or modify parts that are broken or defective. Please contact the store immediately.
2. This product is for home use only and not intended for commercial establishments.



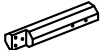
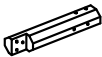




ASSEMBLY TIME




30 MINUTES

PARTS IDENTIFICATION




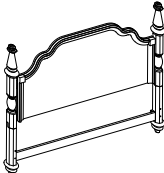
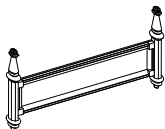
B1 (BOX 1)

| | |
|--|--|
| <p>A HEADBOARD PANEL</p>  <p>1PC</p> | <p>B HEADBOARD BOTTOM RAIL</p>  <p>1PC</p> |
| <p>C RIGHT HEADBOARD LEG</p>  <p>1PC</p> | <p>D LEFT HEADBOARD LEG</p>  <p>1PC</p> |
| <p>E FINIAL</p>  <p>2PCS</p> | <p>F BUN FOOT</p>  <p>2PCS</p> |

B2 (BOX 2)

| | |
|--|--|
| <p>E FINIAL</p>  <p>2PCS</p> | <p>F BUN FOOT</p>  <p>2PCS</p> |
| <p>G FOOTBOARD PANEL</p>  <p>1PC</p> | |

B3 (BOX 3)

| | |
|--|--|
| <p>H BED RAIL</p>  <p>2PCS</p> | <p>I BED SLAT</p>  <p>4PCS</p> |
| <p>J BED SLAT SUPPORT WITH LEVELER</p>  <p>8PCS</p> | |
| <p>HB 223631KW(B1) FROM BOX 1 HEADBOARD COMPLETE</p>  <p>1PC</p> | <p>FB 223631KW(B2) FROM BOX 2 FOOTBOARD COMPLETE</p>  <p>1PC</p> |

NOTE:

Phillips head screw driver is required in the assembly process; however, manufacturer does not provide this item.

ITEM: 223631KW(B1-B3)



ASSEMBLY INSTRUCTIONS

ASSEMBLY TIPS:

1. Remove hardware from box and sort by size.
2. Please check to see that all hardware and parts are present prior to start of assembly.
3. Please follow attached instructions in the same sequence as numbered to assure fast & easy assembly.







WARNING!






1. Don't attempt to repair or modify parts that are broken or defective. Please contact the store immediately.
2. This product is for home use only and not intended for commercial establishments.

HARDWARE IDENTIFICATION

Z-B1 (BOX 1) - HARDWARE PACK IS LOCATED IN 223631KW(B1)

| | | | | | | | |
|---|---|---|-------|---|---|---|-------|
| 1 | BOLT ($\phi 5/16"$ x 50MM - RBW) |  | 10PCS | 2 | LOCK WASHER ($\phi 5/16"$ - RBW) |  | 10PCS |
| 3 | FLAT WASHER ($\phi 5/16"$ - RBW) |  | 10PCS | 4 | ALLEN WRENCH (M4 x 60MM - RBW) |  | 1PC |

Z-B2 (BOX 2) - HARDWARE PACK IS LOCATED IN 223631KW(B3)

| | | | | | | | |
|---|--|---|------|---|--|---|------|
| 5 | THREADED BOLT ($\phi 5/16"$ x 90MM - RBW) |  | 8PCS | 6 | HALF ROUND NUT ($\phi 5/16"$ - RBW) |  | 8PCS |
| 7 | HEX NUT ($\phi 5/16"$ x 14MM - RBW) |  | 8PCS | 8 | WRENCH (14MM - RBW) |  | 1PC |
| 9 | FLAT HEAD SCREW ($\phi 4$ x 30MM - RBW) |  | 8PCS | | | | |

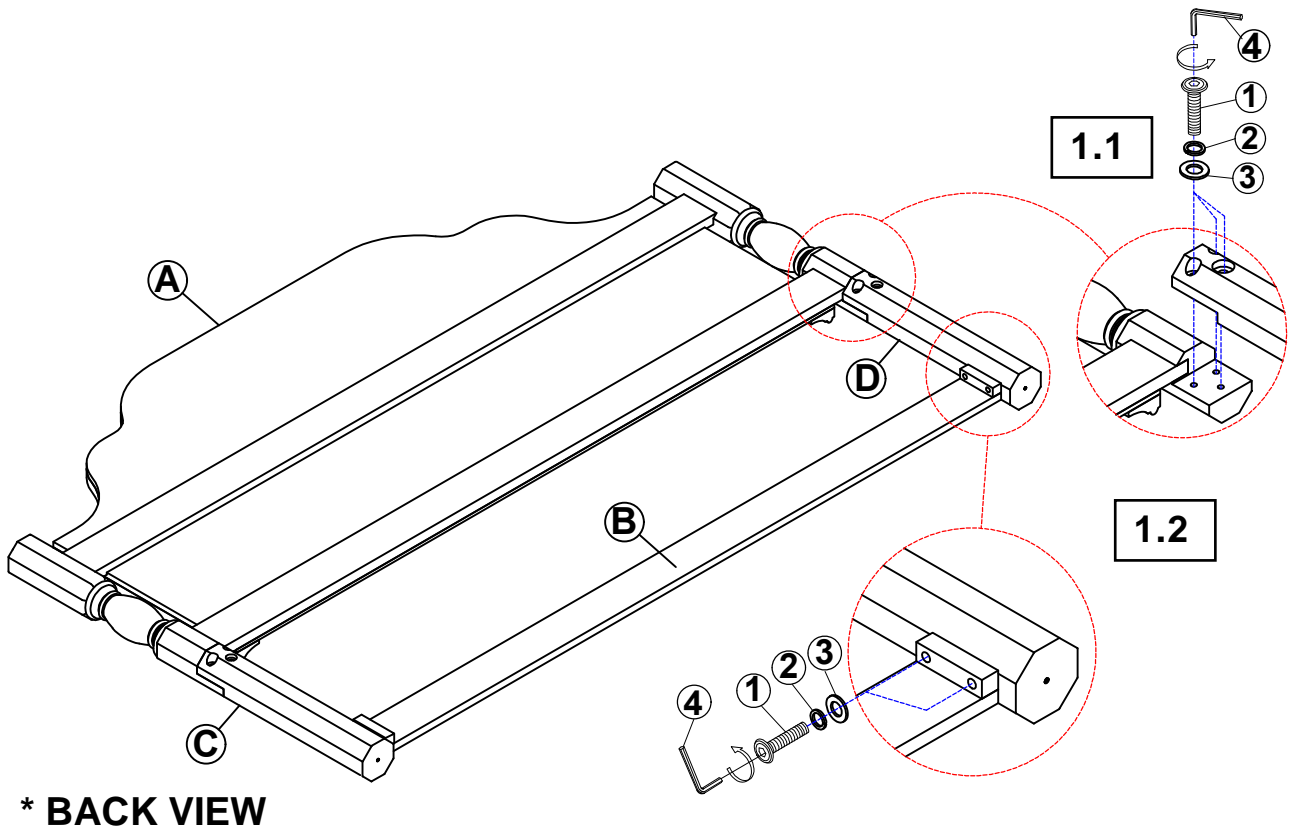
NOTE:

Phillips head screw driver is required in the assembly process; however, manufacturer does not provide this item.

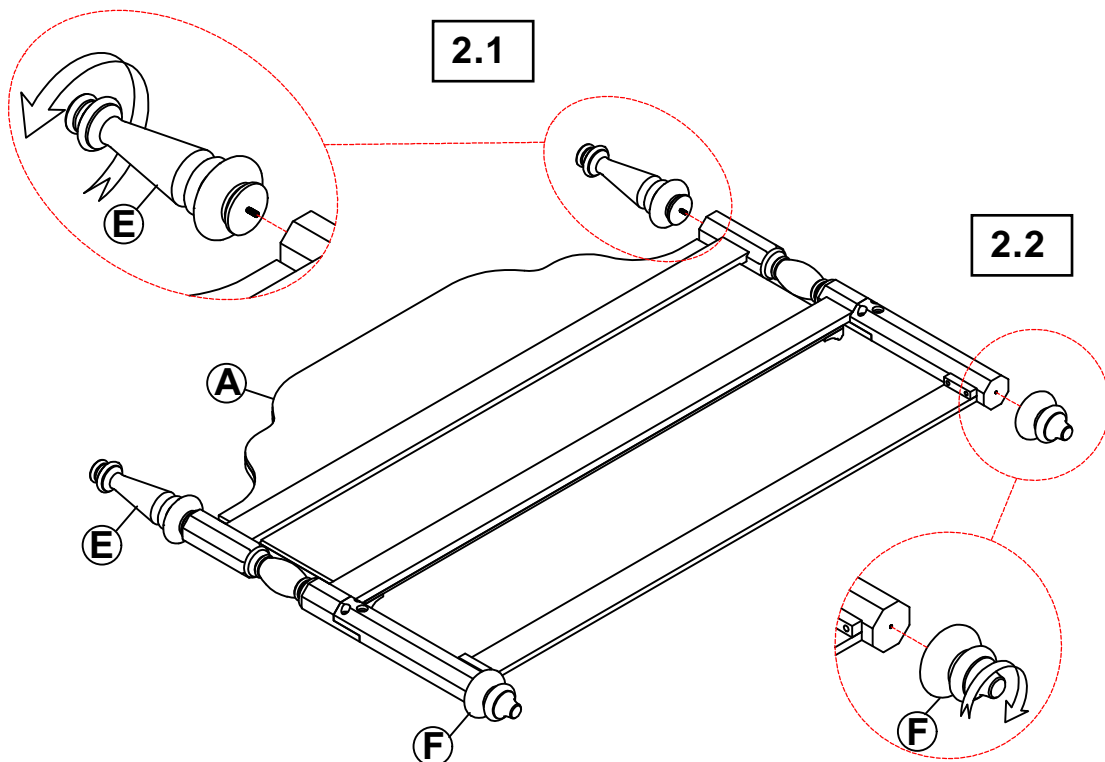
ITEM: 223631KW(B1-B3)

ASSEMBLY INSTRUCTIONS

STEP 1



STEP 2

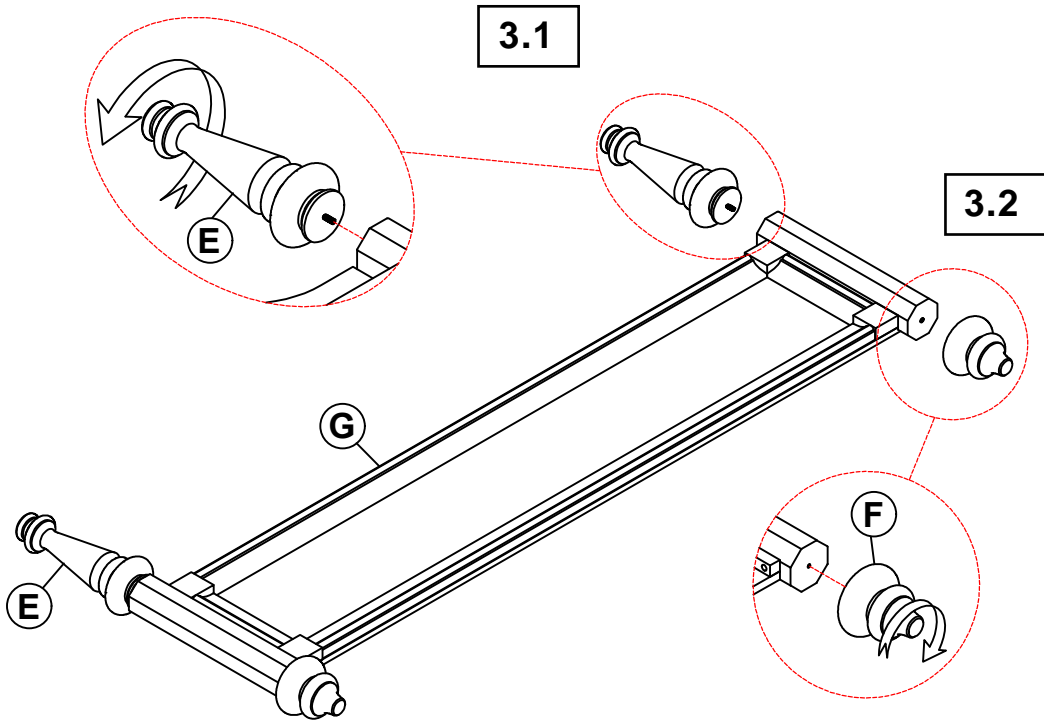


ITEM: 223631KW(B1-B3)

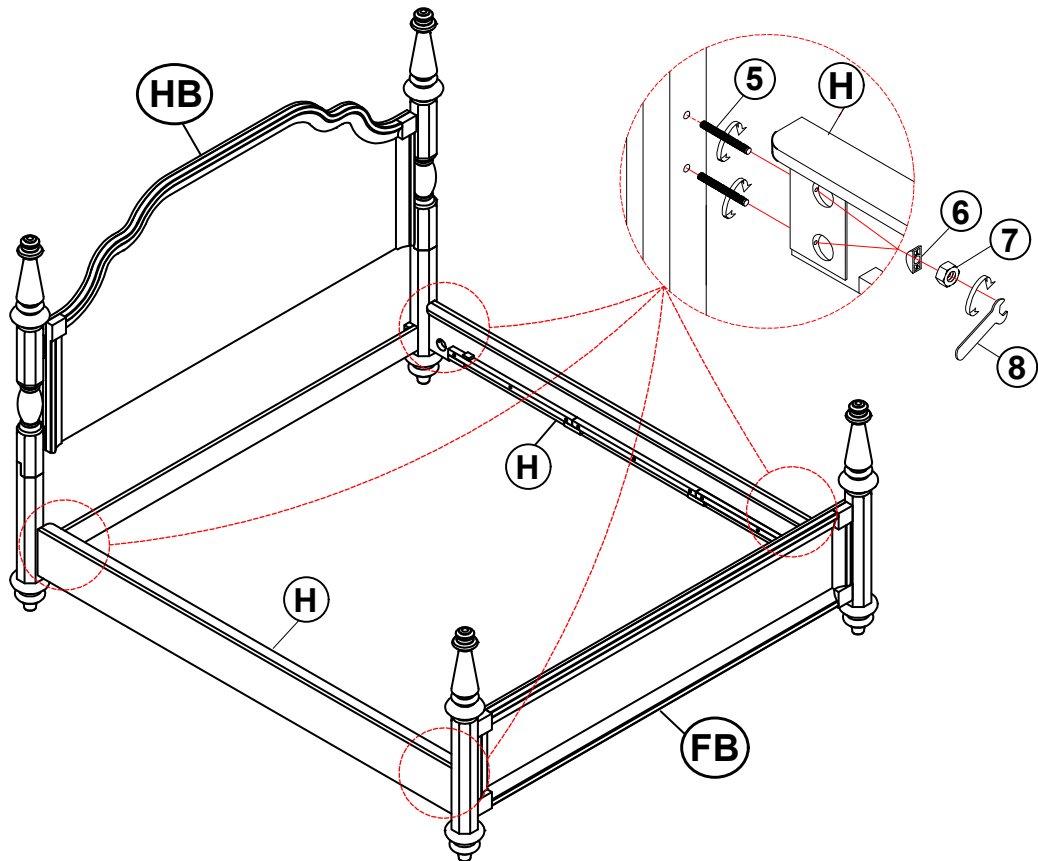


ASSEMBLY INSTRUCTIONS

STEP 3



STEP 4

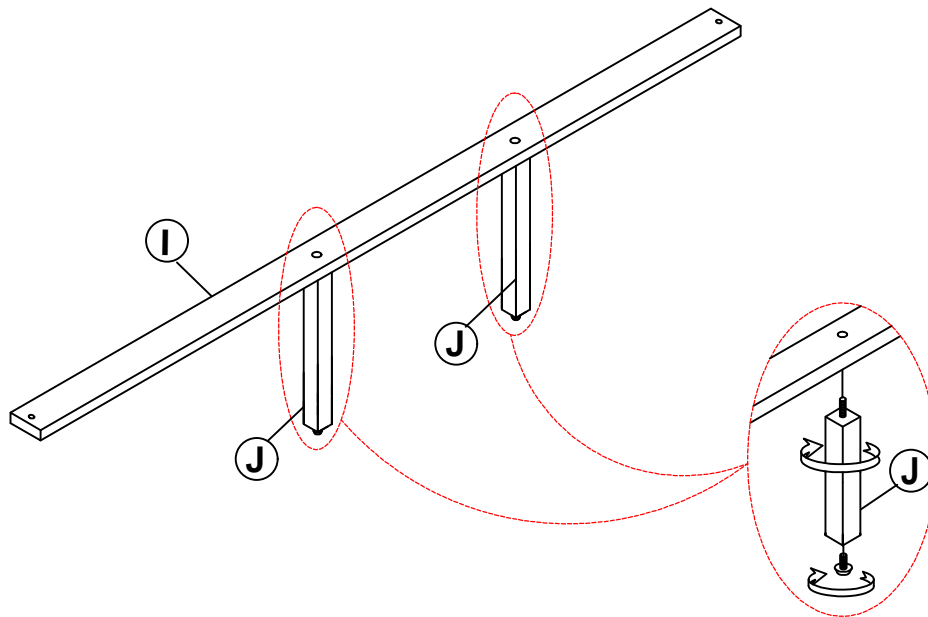


ITEM: **223631KW(B1-B3)**

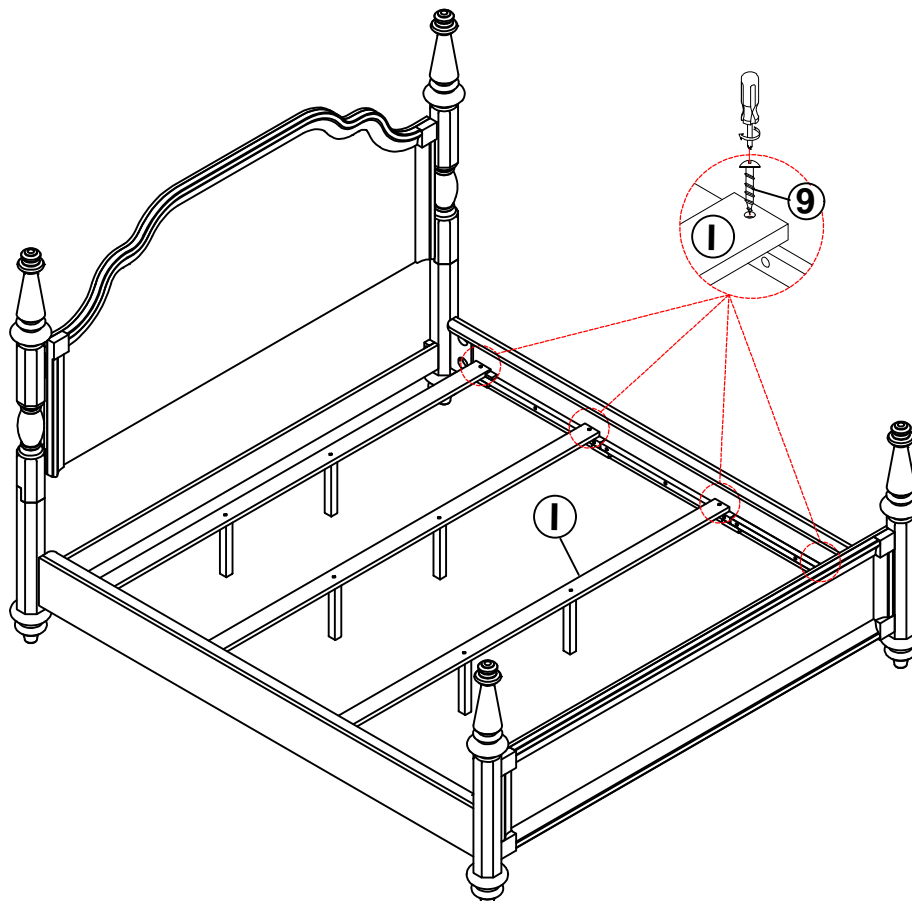


ASSEMBLY INSTRUCTIONS

STEP 5



STEP 6

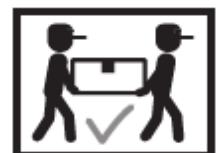
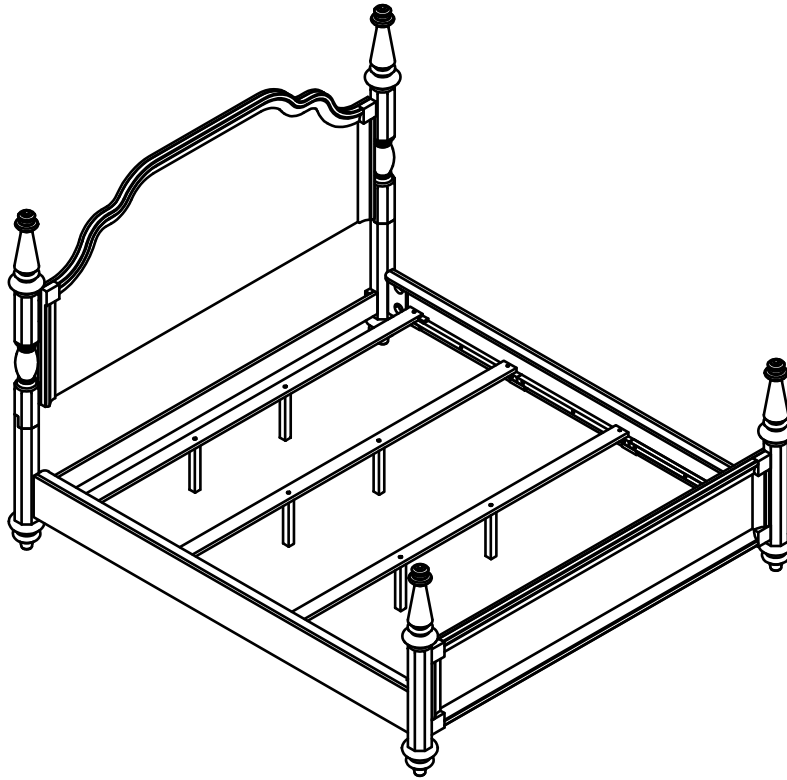


ITEM: **223631KW(B1-B3)**



ASSEMBLY INSTRUCTIONS

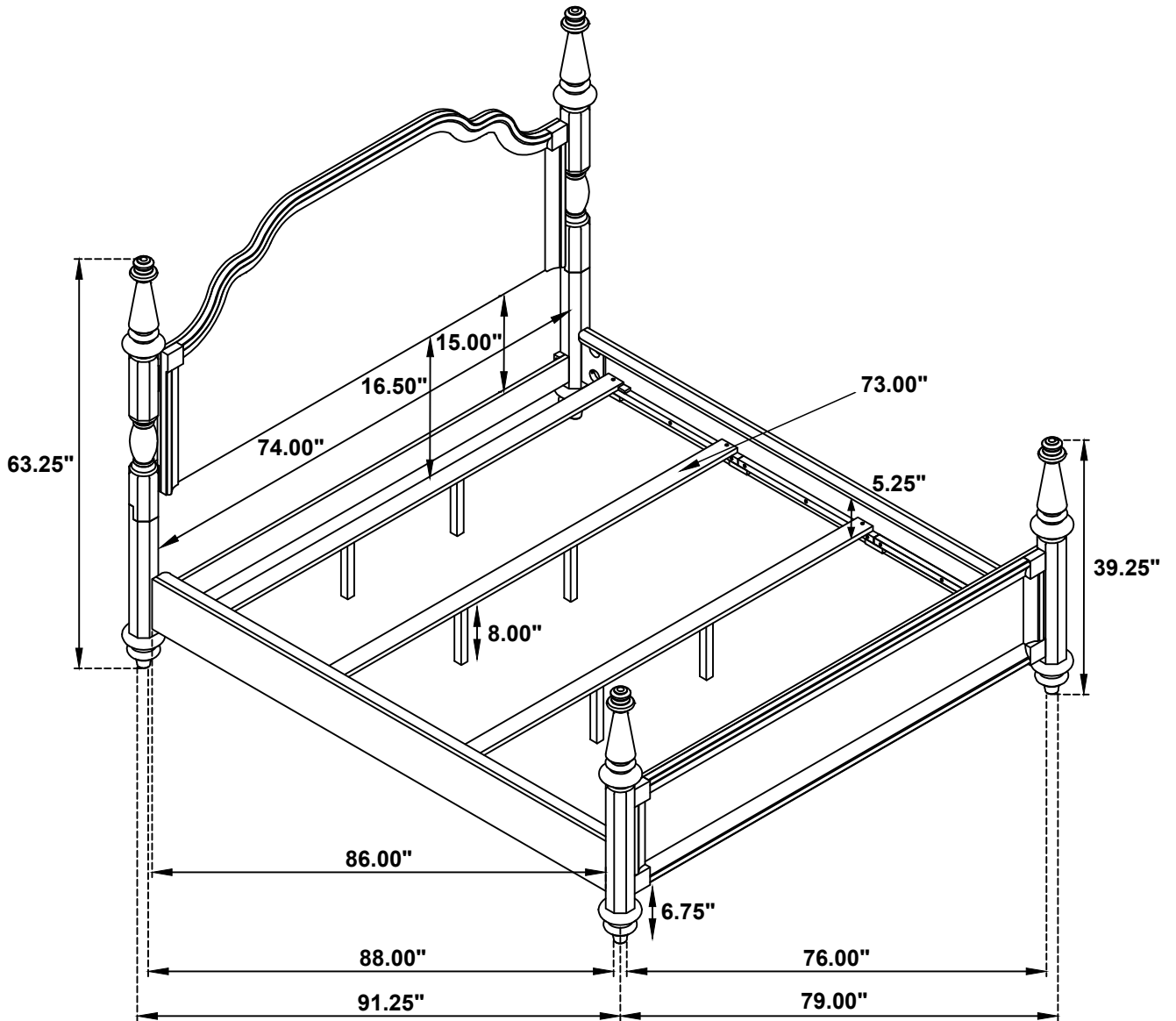
STEP 7
COMPLETE



ITEM: **223631KW(B1-B3)**



Inner Size : 82.00"W X 73.00"D



Note: Dimension tolerance $\pm 5\%$

ASSEMBLY INSTRUCTIONS
COASTER FINE FURNITURE



Fine Furniture for every stage of life

223632
Nightstand

ITEM: **223632**

ASSEMBLY INSTRUCTIONS



ASSEMBLY TIPS:

1. Remove hardware from box and sort by size.
2. Please check to see that all hardware and parts are present prior to start of assembly.
3. Please follow attached instructions in the same sequence as numbered to assure fast & easy assembly.



WARNING!

1. Don't attempt to repair or modify parts that are broken or defective. Please contact the store immediately.
2. This product is for home use only and not intended for commercial establishments.

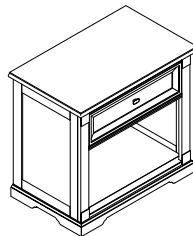


ASSEMBLY TIME

5 MINUTES

PARTS IDENTIFICATION

A NIGHTSTAND



1PC

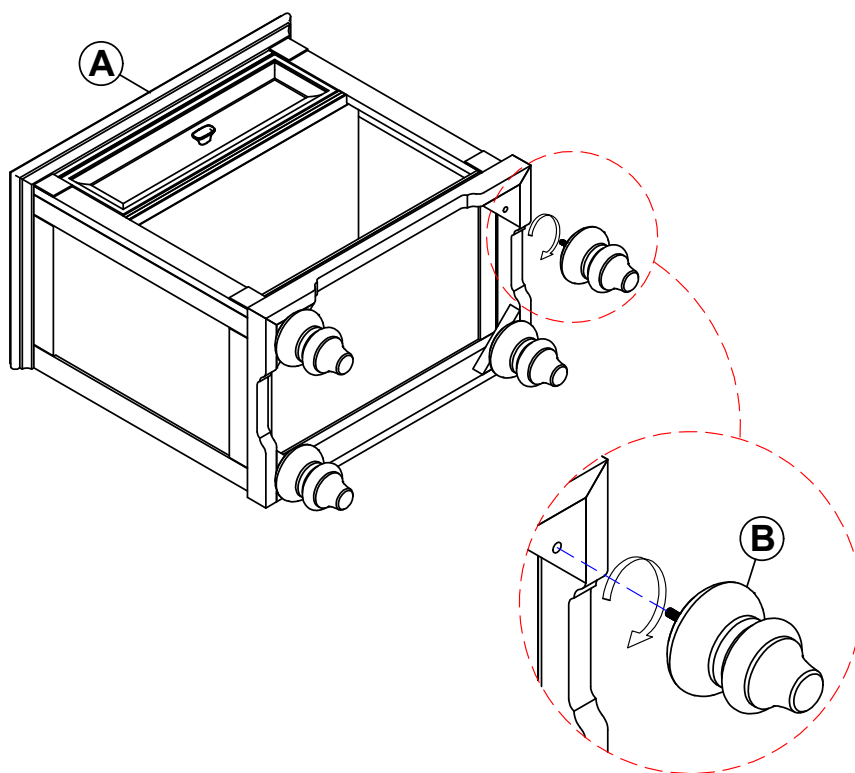
B BUN FOOT



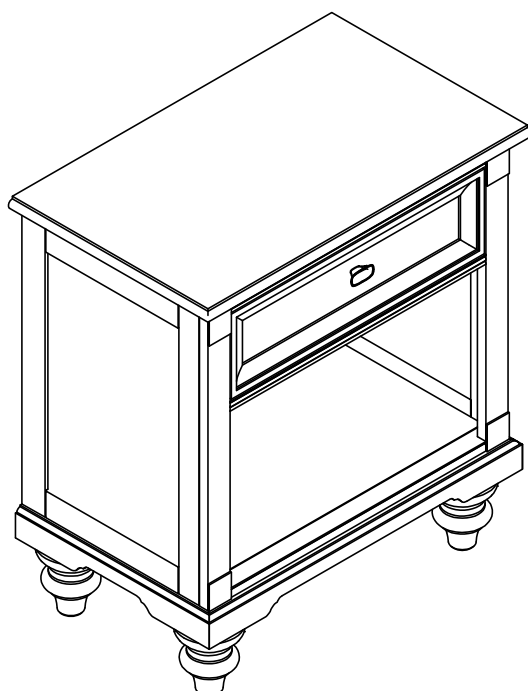
4PCS

ITEM: **223632**
ASSEMBLY INSTRUCTIONS

STEP 1



STEP 2
COMPLETE

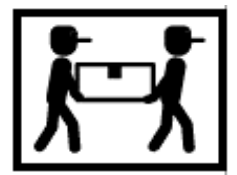
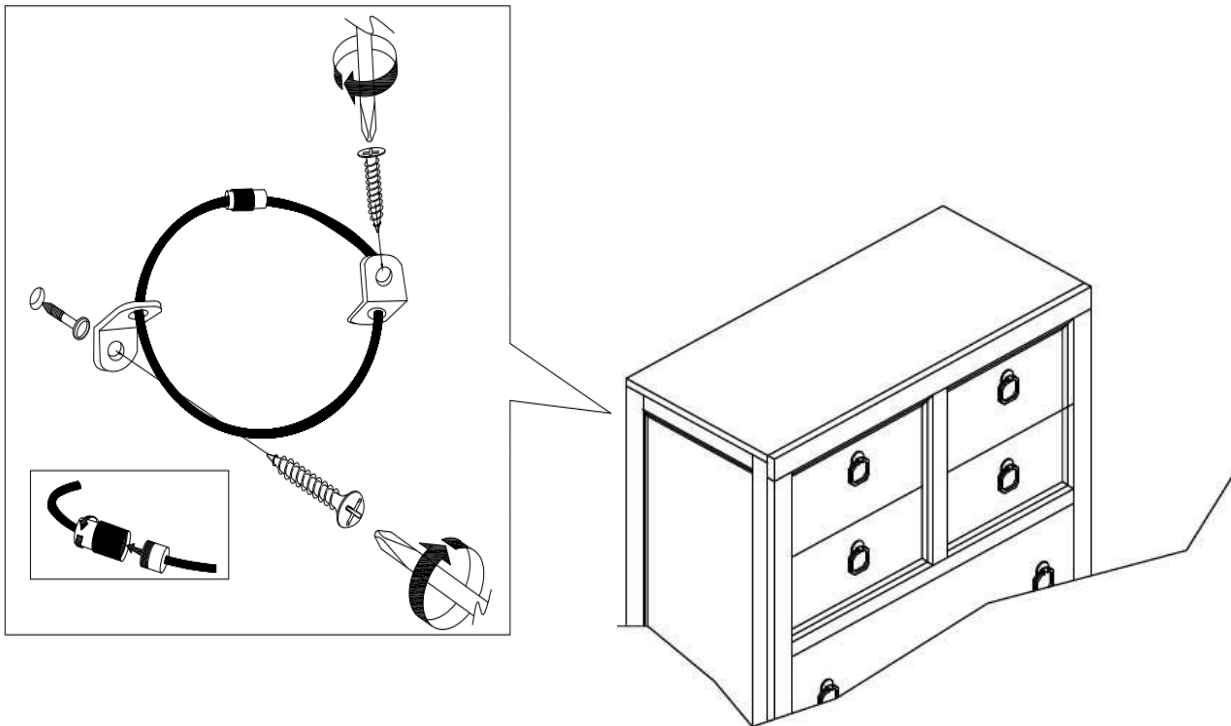


ANTI-TIPPING INSTALLATION INSTRUCTIONS
FURNITURE TIPPING RESTRAINT

WARNING

Injury may result from tipping furniture.
This restraint may protect against tipping furniture.
Do not allow children to climb on furniture.
This restraint is not a substitute for proper adult supervision.
Failure to detach this restraint before moving the furniture may result in injury and damage.

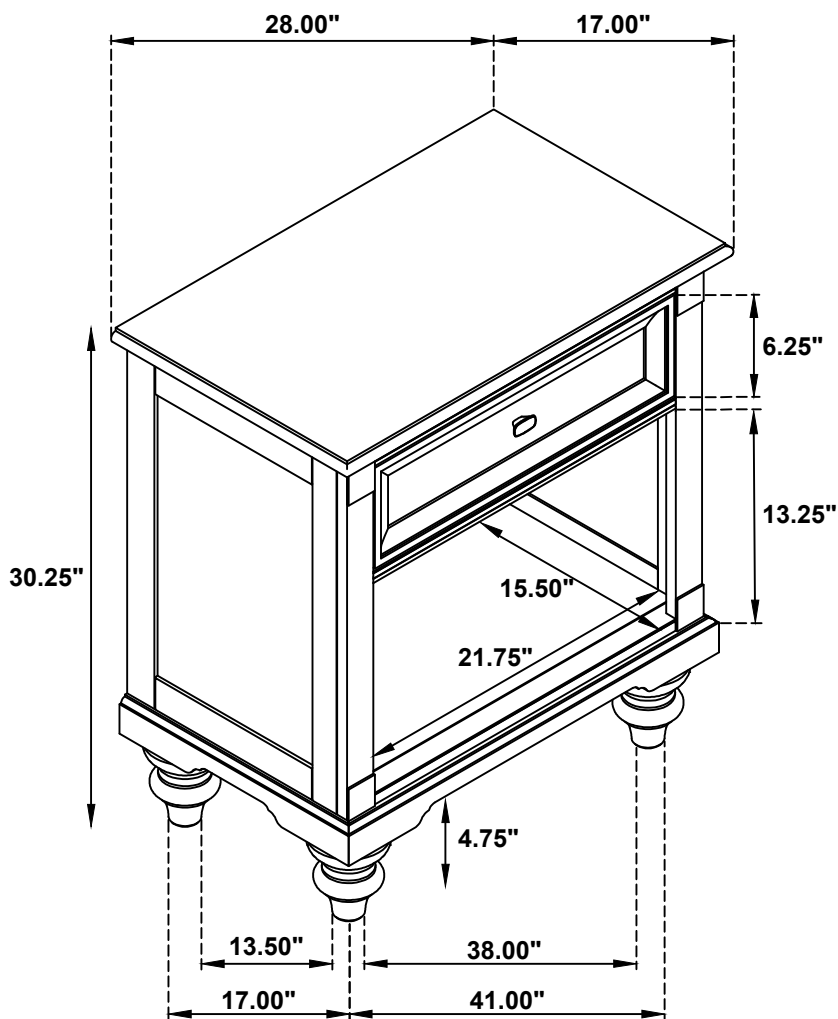
1. Attach one of the mounting brackets securely to the back edge of the unit, using the short screw.
2. Determine where the unit is to be placed, and mark the location on the wall for the other mounting bracket. The bracket on the wall needs to be approximately 2" below the bracket mounted to the edge of the unit.
3. Drill a hole in the wall. Insert the plastic wall anchor into the hole and if necessary, use a small block of wood and hammer to tap it in so that it's flush with the wall.
4. Attach the bracket over the plastic wall anchor using the long screw.
5. Place the unit against the wall, both brackets need to be facing each other.
6. Lace an end of the restraint strap through the hole in each bracket. Bring both ends together and rotate the thumb nut onto the threaded end until tight.
7. Ensure that the restraint strap is securely laced and locked.



ITEM: **223632**



Inner Size of Drawer: 19.75"W X 12.25"D X 5.00"H X 0.50"T



Note: Dimension tolerance $\pm 5\%$

ASSEMBLY INSTRUCTIONS
COASTER FINE FURNITURE



Fine Furniture for every stage of life

223633
Dresser

ITEM: 223633



ASSEMBLY INSTRUCTIONS

ASSEMBLY TIPS:

1. Remove hardware from box and sort by size.
2. Please check to see that all hardware and parts are present prior to start of assembly.
3. Please follow attached instructions in the same sequence as numbered to assure fast & easy assembly.



WARNING!

1. Don't attempt to repair or modify parts that are broken or defective. Please contact the store immediately.
2. This product is for home use only and not intended for commercial establishments.

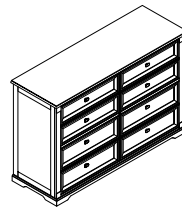


ASSEMBLY TIME

5 MINUTES

PARTS IDENTIFICATION

A DRESSER



1PC

B BUN FOOT



4PCS

C CENTER SUPPORT LEG
WITH LEVELER



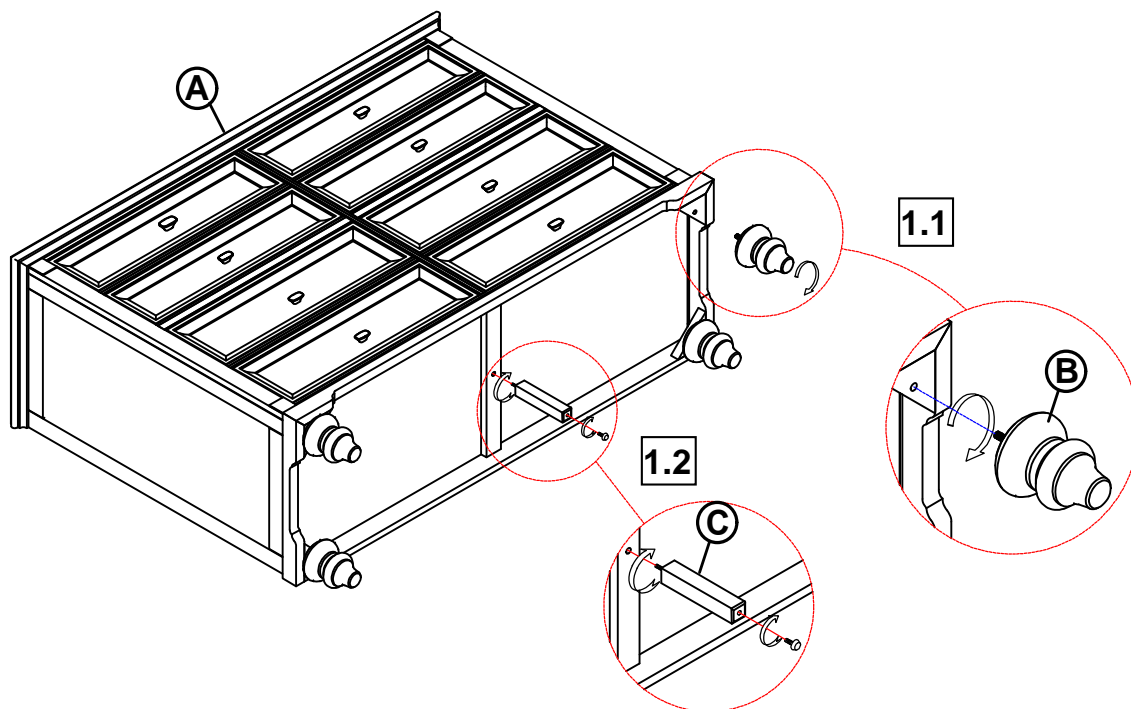
1PC

ITEM: **223633**

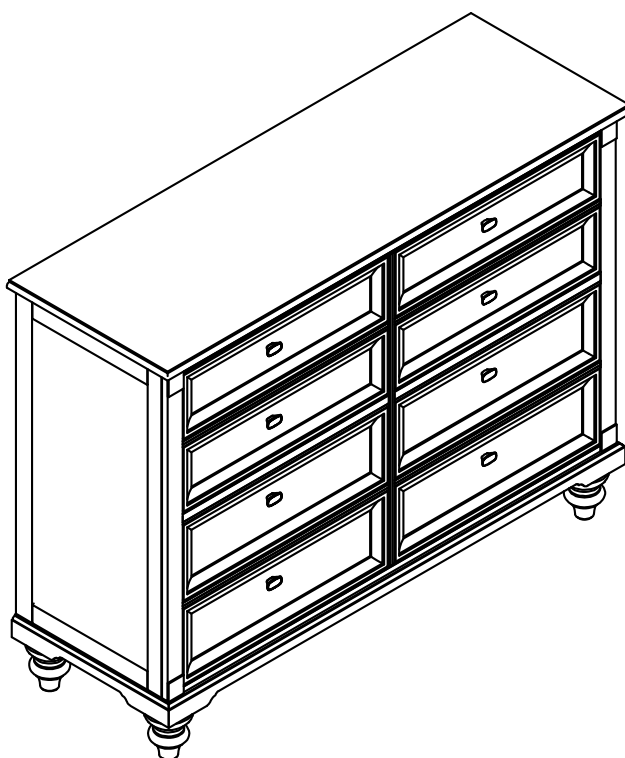
ASSEMBLY INSTRUCTIONS



STEP 1



STEP 2
COMPLETE



ANTI-TIPPING INSTALLATION INSTRUCTIONS

FURNITURE TIPPING RESTRAINT

WARNING

Injury may result from tipping furniture.

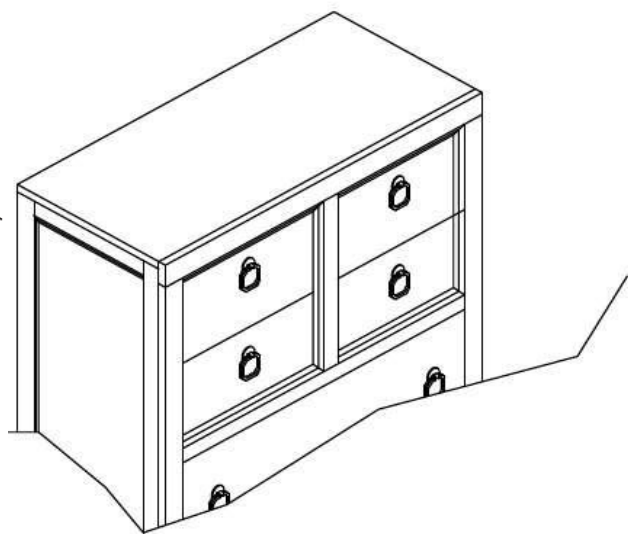
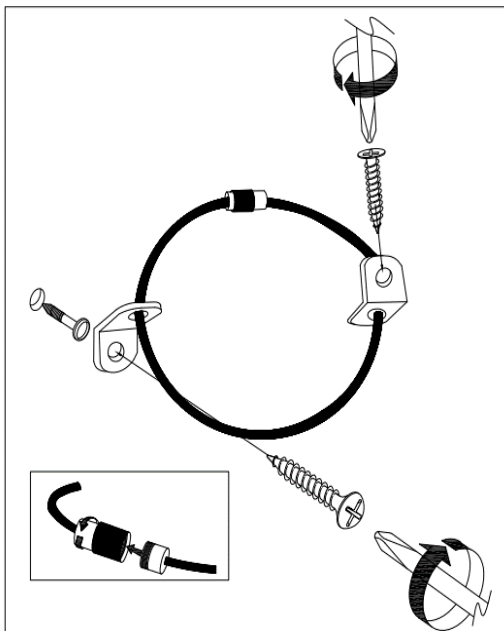
This restraint may protect against tipping furniture.

Do not allow children to climb on furniture.

This restraint is not a substitute for proper adult supervision.

Failure to detach this restraint before moving the furniture may result in injury and damage.

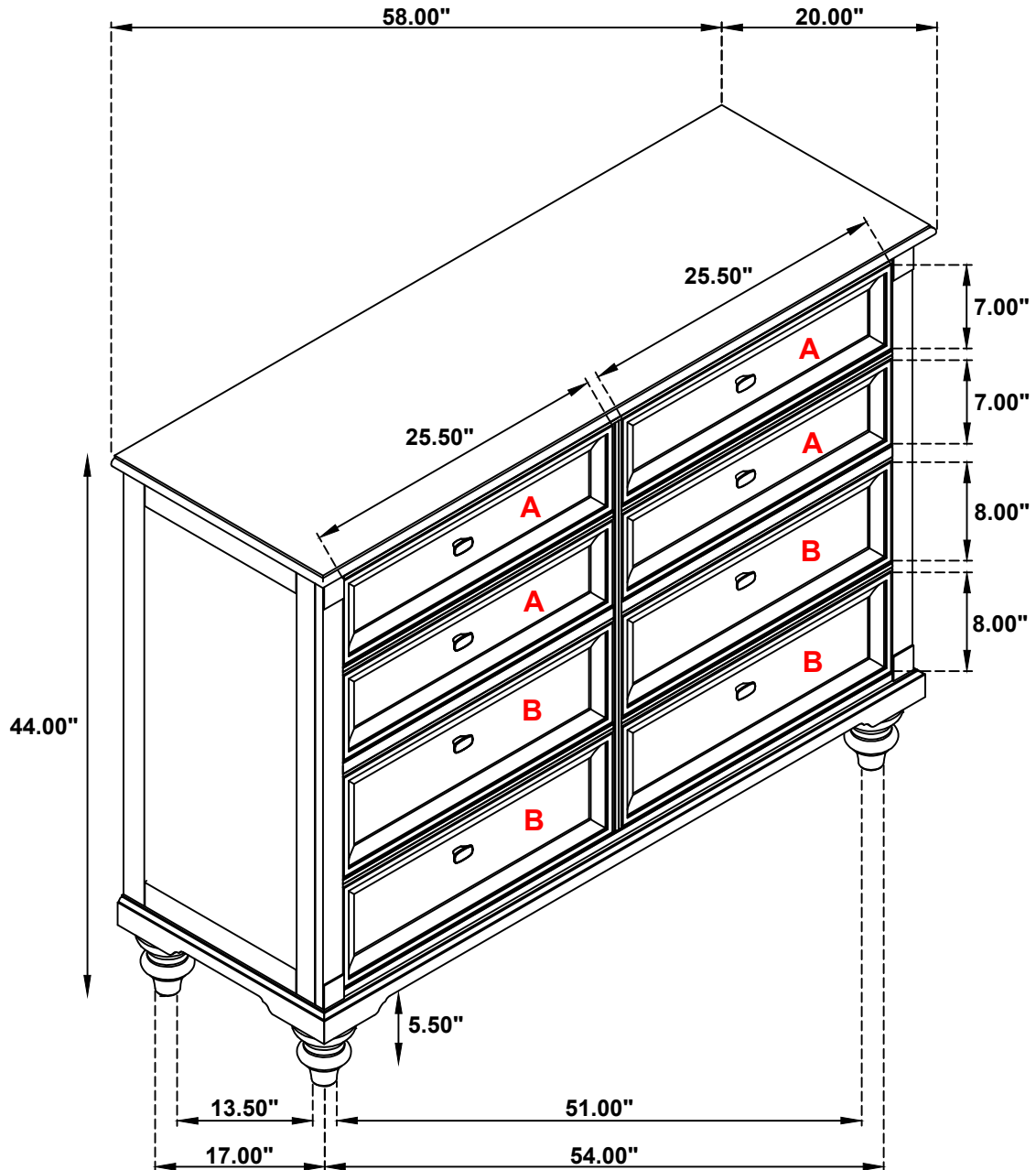
1. Attach one of the mounting brackets securely to the back edge of the unit, using the short screw.
2. Determine where the unit is to be placed, and mark the location on the wall for the other mounting bracket. The bracket on the wall needs to be approximately 2" below the bracket mounted to the edge of the unit.
3. Drill a hole in the wall. Insert the plastic wall anchor into the hole and if necessary, use a small block of wood and hammer to tap it in so that it's flush with the wall.
4. Attach the bracket over the plastic wall anchor using the long screw.
5. Place the unit against the wall, both brackets need to be facing each other.
6. Lace an end of the restraint strap through the hole in each bracket. Bring both ends together and rotate the thumb nut onto the threaded end until tight.
7. Ensure that the restraint strap is securely laced and locked.



ITEM: **223633**



Inner Size of Drawer A: 23.50"W X 13.75"D X 5.00"H X 0.50"T
Inner Size of Drawer B: 23.50"W X 13.75"D X 6.25"H X 0.50"T



Note: Dimension tolerance $\pm 5\%$

ASSEMBLY INSTRUCTIONS
COASTER FINE FURNITURE



Fine Furniture for every stage of life

223634
Mirror

ITEM: **223634**



ASSEMBLY INSTRUCTIONS

ASSEMBLY TIPS:

1. Remove hardware from box and sort by size.
2. Please check to see that all hardware and parts are present prior to start of assembly.
3. Please follow attached instructions in the same sequence as numbered to assure fast & easy assembly.



WARNING!

1. Don't attempt to repair or modify parts that are broken or defective. Please contact the store immediately.
2. This product is for home use only and not intended for commercial establishments.



ASSEMBLY TIME

5 MINUTES

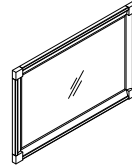
PARTS IDENTIFICATION

A DRESSER
FROM BOX ITEM #223633



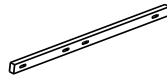
1PC

B MIRROR



1PC

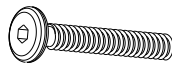
C MIRROR SUPPORT
(PACKED WITH DRESSER)



2PCS

HARDWARE IDENTIFICATION

1 BOLT
($\Phi 1/4"$ x 38mm - RBW)



6PCS

2 LOCK WASHER
($\Phi 1/4"$ - RBW)



6PCS

3 FLAT WASHER
($\Phi 1/4"$ - RBW)



6PCS

4 ALLEN WRENCH
(4MM - RBW)



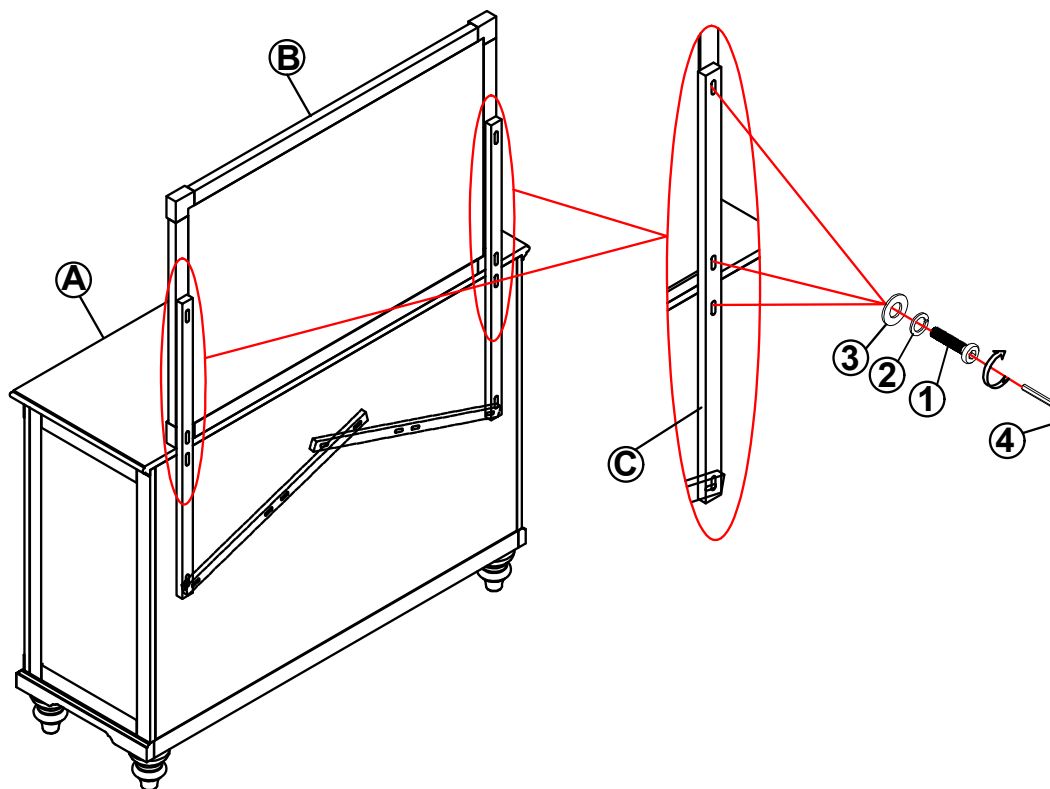
1PC

ITEM: **223634**

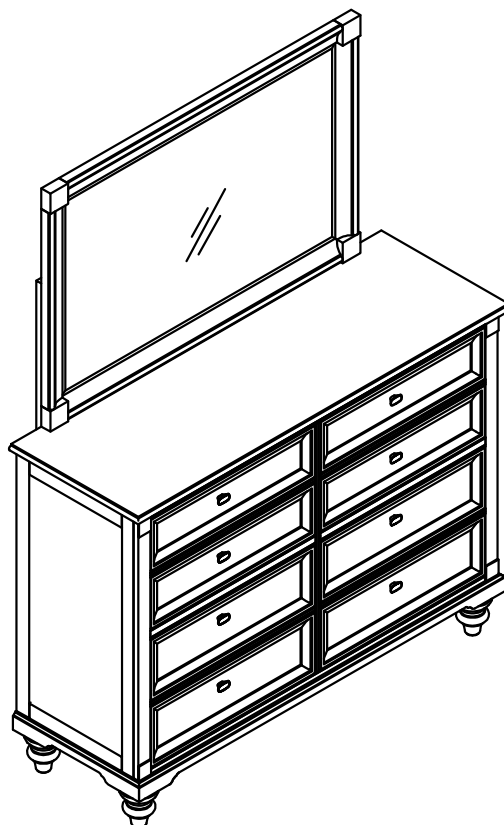
ASSEMBLY INSTRUCTIONS



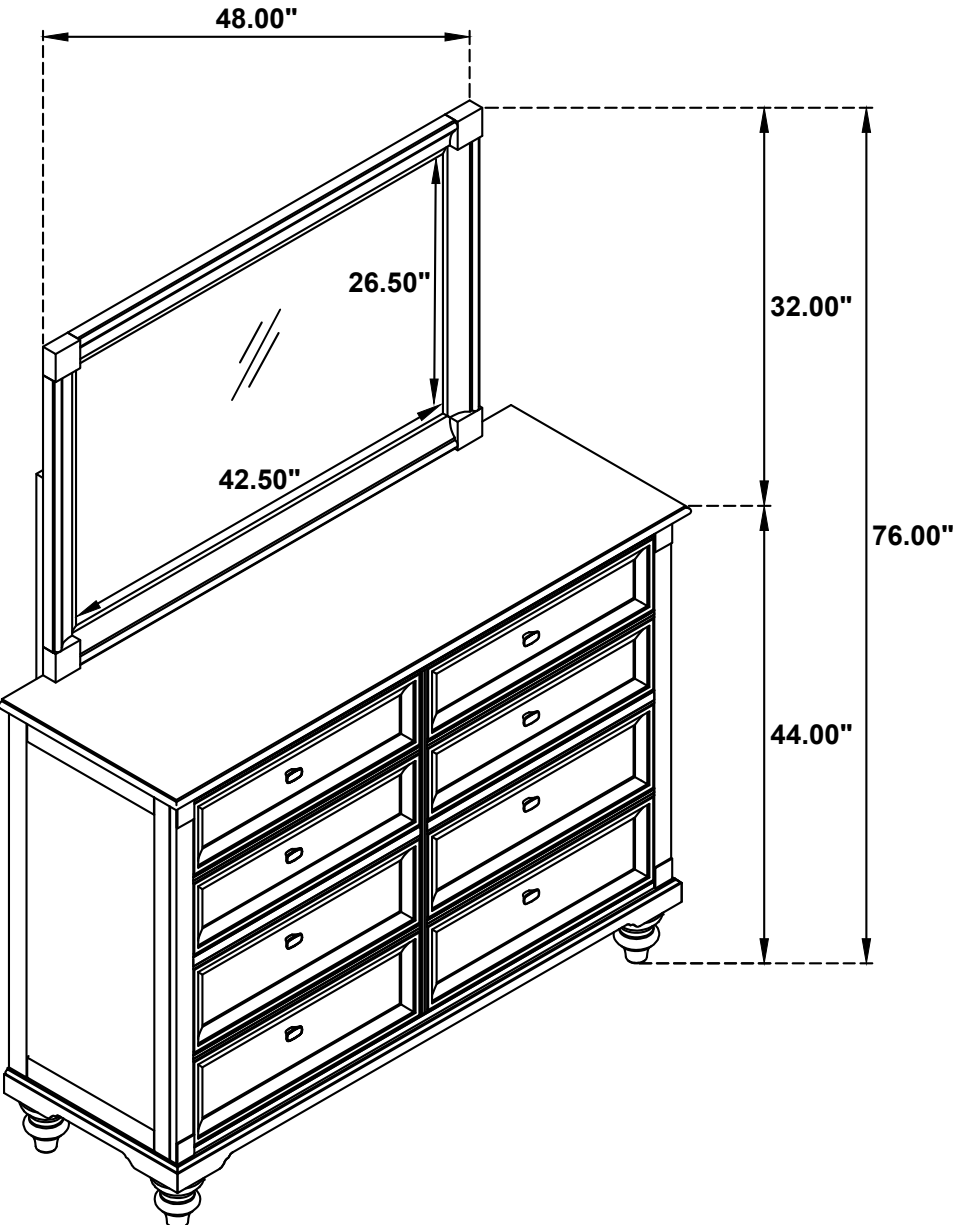
STEP 1



STEP 2
COMPLETE



ITEM: **223634**



Note: Dimension tolerance $\pm 5\%$