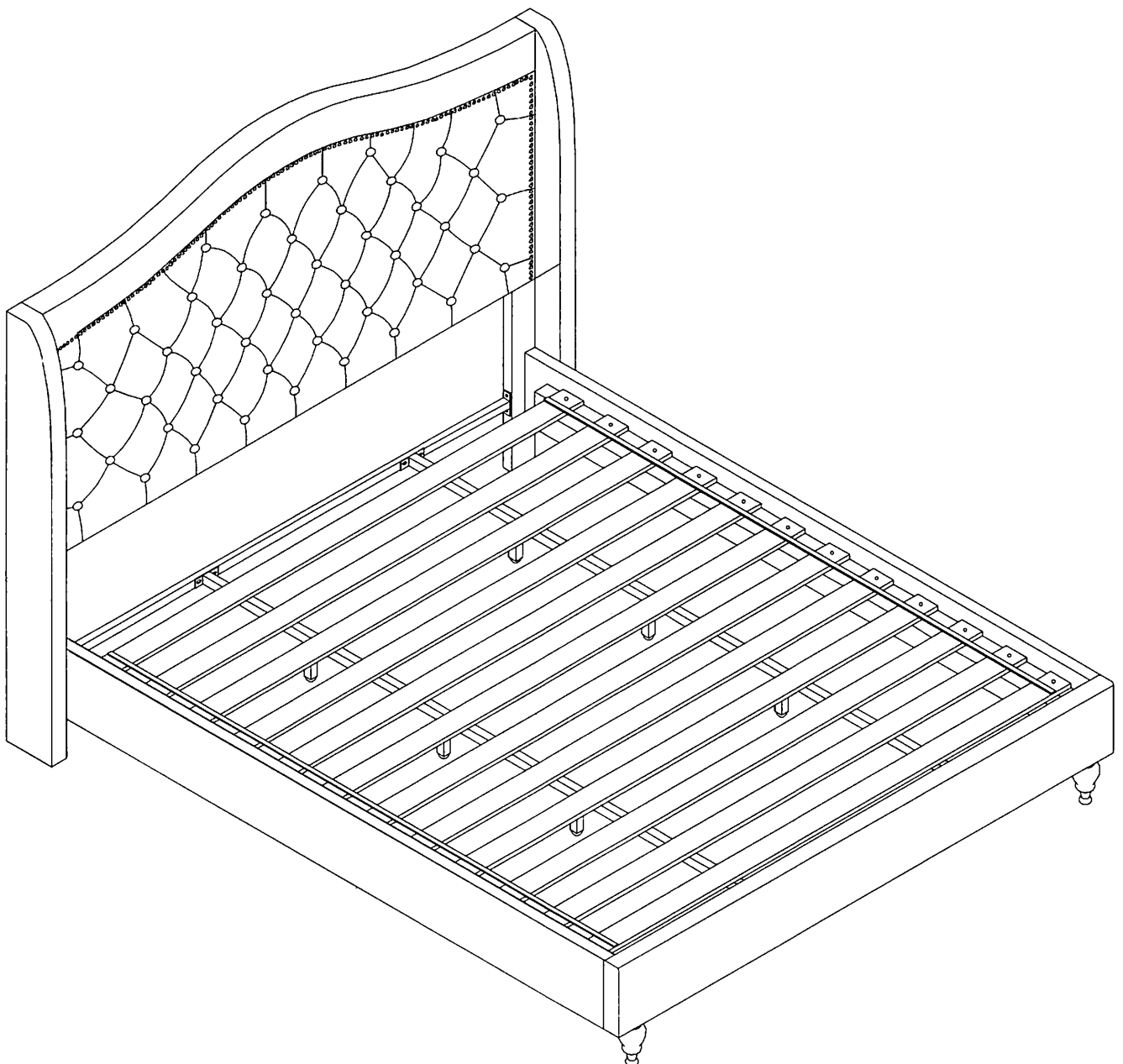


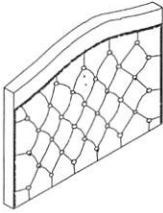
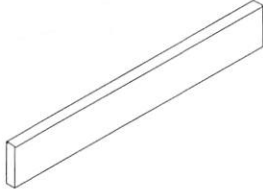
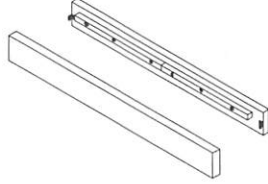



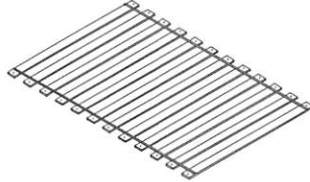
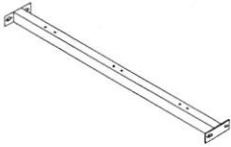



ASSEMBLY INSTRUCTION

BED0013-KING








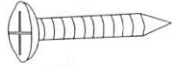
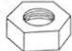

IMPORTANT: PLACE ALL PARTS ON A CLEAN AND SMOOTH SURFACE SUCH AS A RUG OR CARPET TO AVOID THE PARTS FROM BEING SCRATCHED. KINDLY FOLLOW THE ASSEMBLY INSTRUCTIONS STEP DO NOT TIGHTEN ALL SCREWS UNTIL THE BED IS FULLY SET-UP



PARTS LIST:

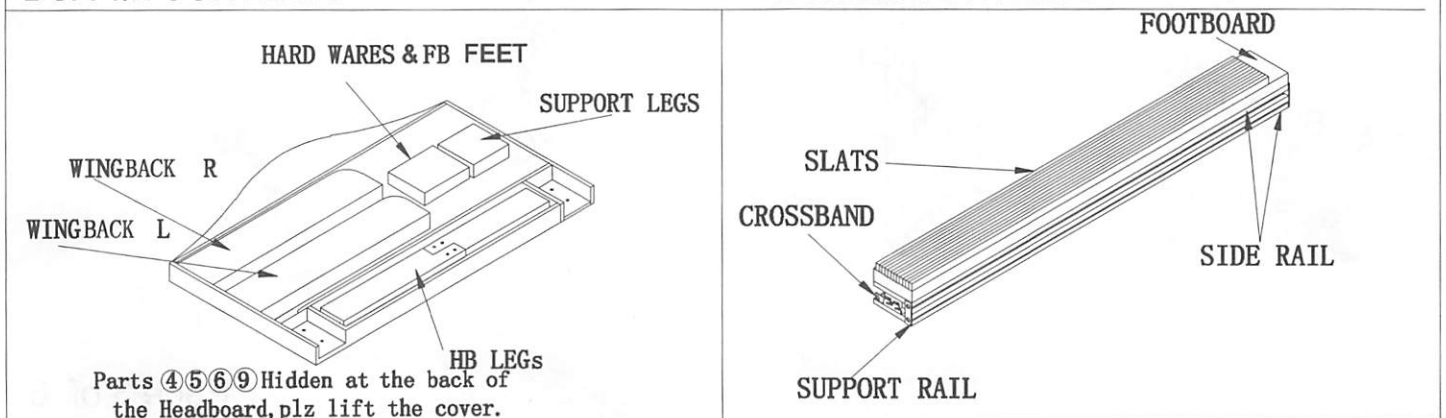
<p>① Headboard=1pc</p> 	<p>② Footboard=1pcs</p> 	<p>③ Side Rail=2pcs</p> 	<p>④ Wingback=2pcs</p> 
<p>⑤ HB Leg=2pcs</p> 	<p>⑥ FB Feet=2pcs</p> 	<p>⑦ Slats=12pcs</p> 	<p>⑧ Support rails=2pcs</p> 
<p>⑨ Support leg=6pcs</p> 	<p>⑩ Crossband=1pc</p> 	<p>⑪ Bolt 5/16" x 2" = 24pcs</p> 	

HARDWARE LIST:

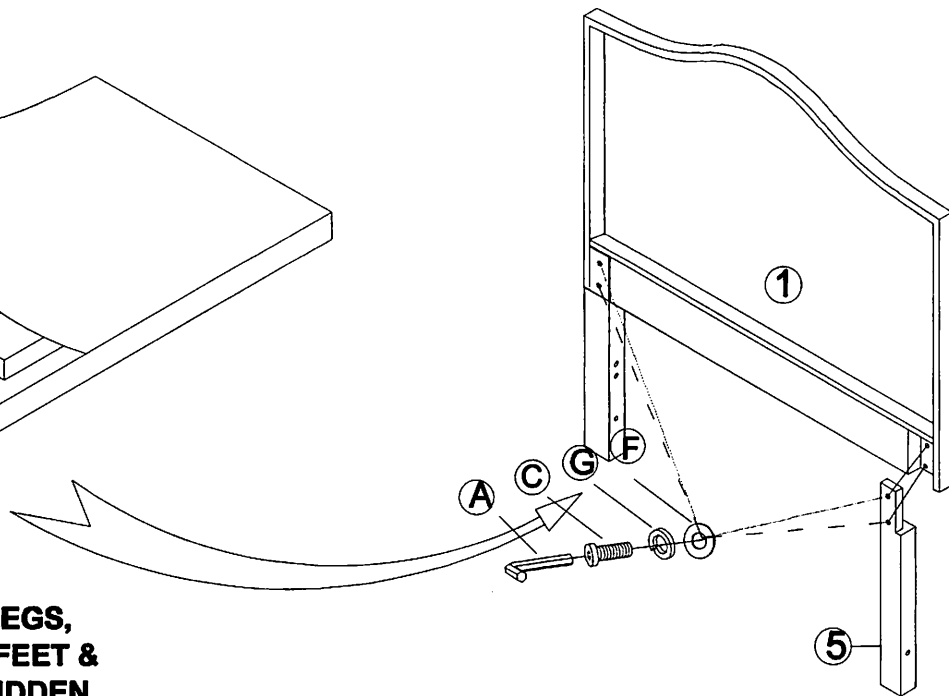
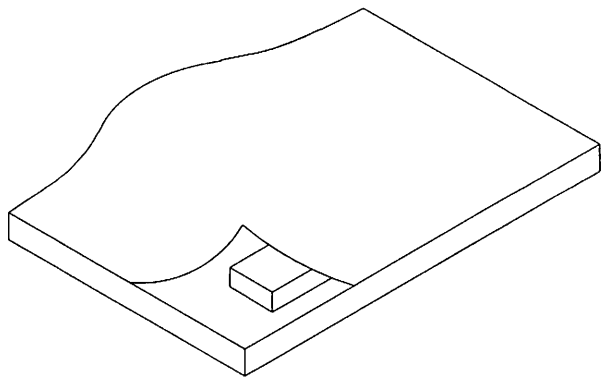
<p>Ⓐ Allen Key=1pcs</p> 	<p>Ⓑ Bolt 5/16" x 1-1/2" = 16pcs</p> 	<p>Ⓒ Bolt 5/16" x 2" = 24pcs</p> 	<p>Ⓓ Bolt 5/16" x 4" = 2pcs</p> 
<p>Ⓔ Flat Washer 5/16" x 19 = 72pcs</p> 	<p>Ⓕ Flat Washer 5/16" x 22 = 10pcs</p> 	<p>Ⓖ Spring Washer = 30pcs</p> 	<p>Ⓗ screw 10mm x 1-1/4" = 24pcs</p> 
<p>Ⓘ Nut = 16pcs</p> 	<p>Ⓙ Wrench = 1pc</p> 		

BOX 1/2 CONTENTS

BOX 2/2 CONTENTS

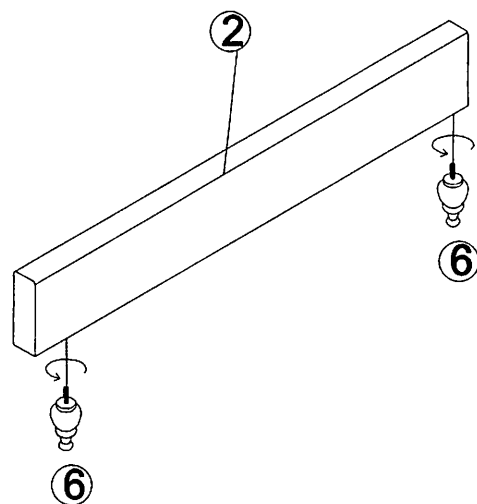
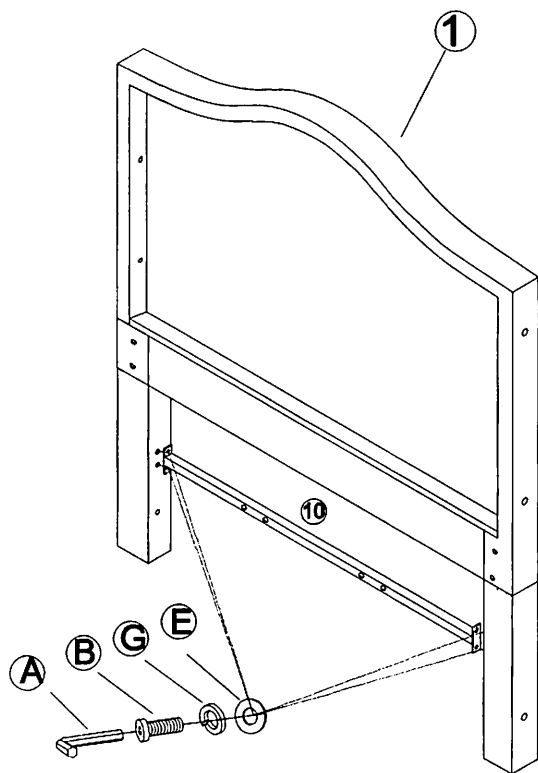


STEP 1

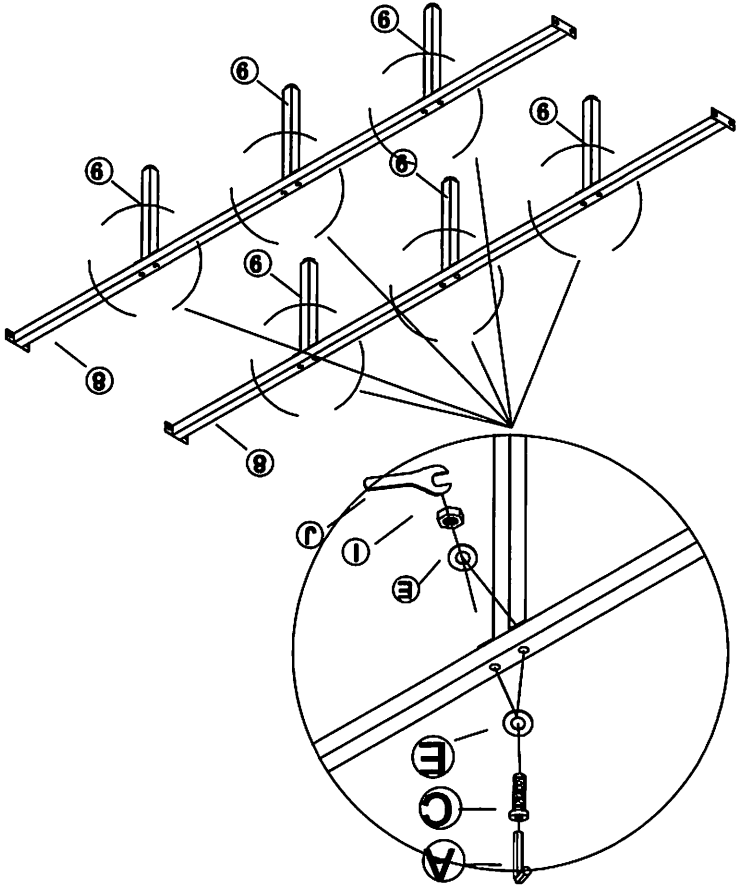


**WINGBACKS, HB LEGS,
HARDWARES, FB FEET &
SUPPORT LEGS, HIDDEN
INSIDE OF THE HEADBOARD, PLZ
LIFT THE COVER .**

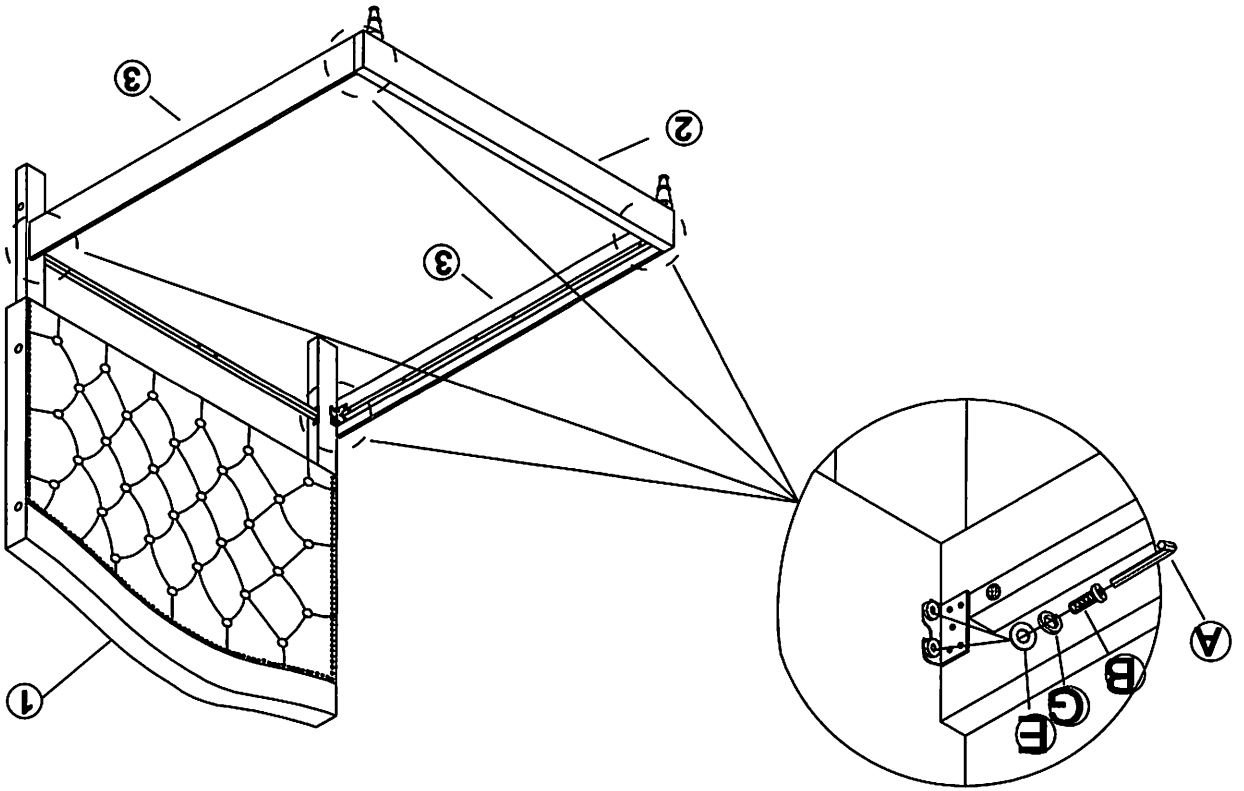
STEP 2



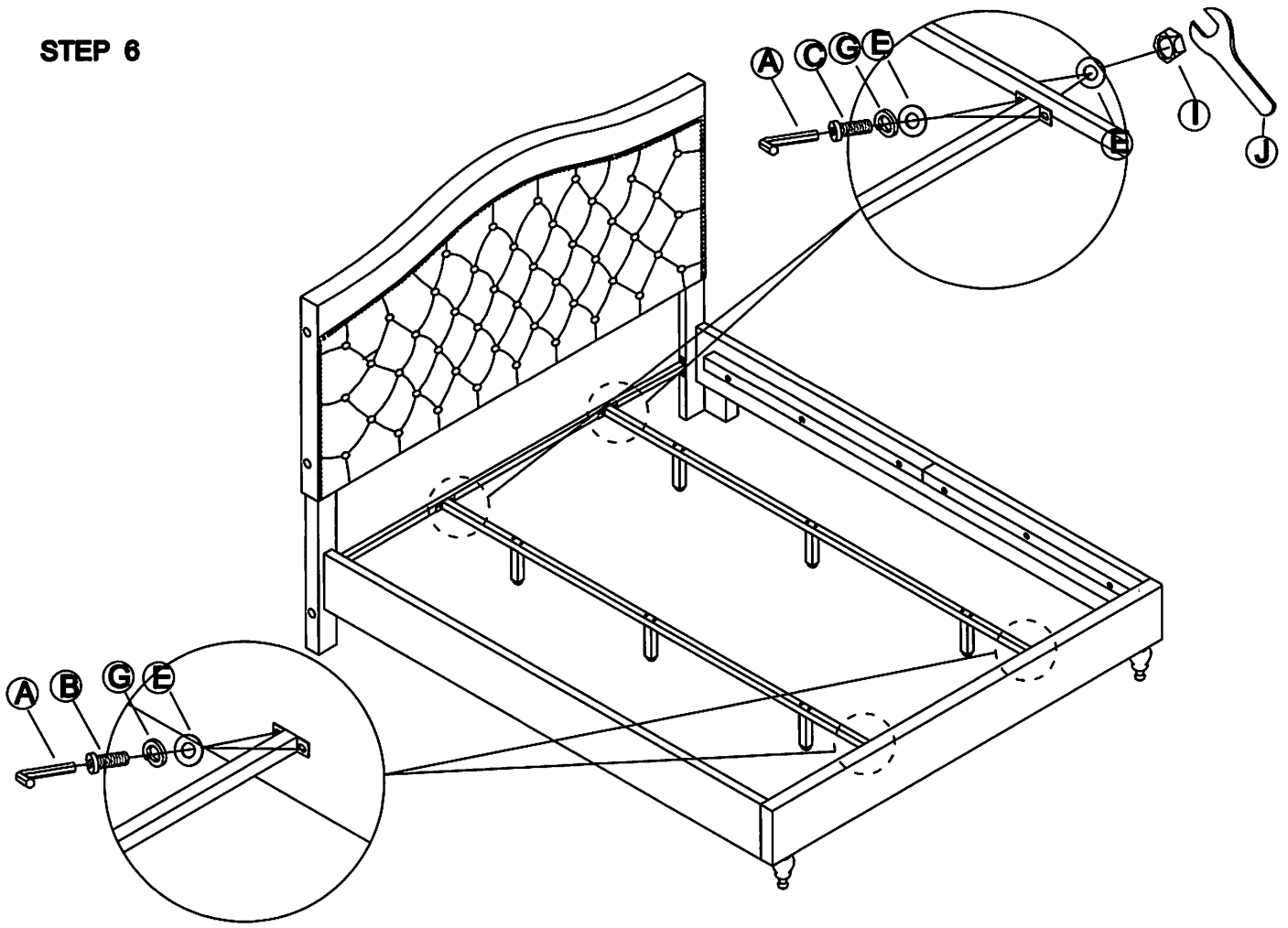
STEP 5



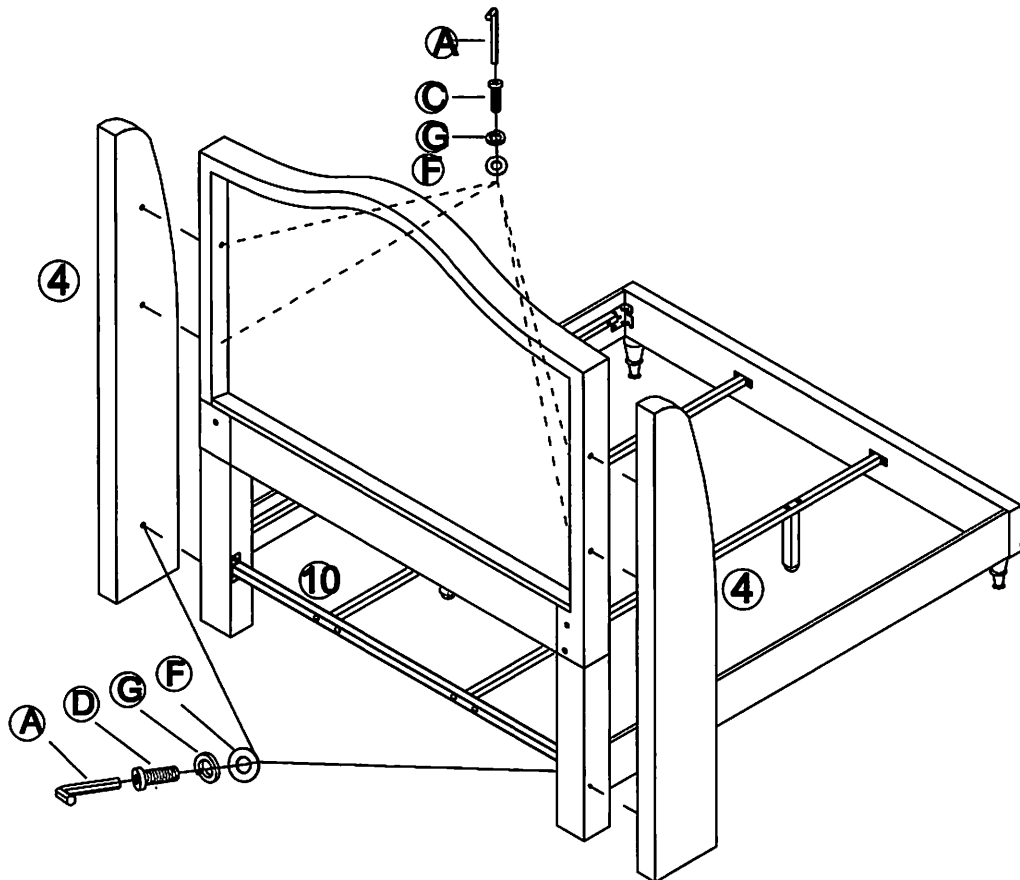
STEP 4



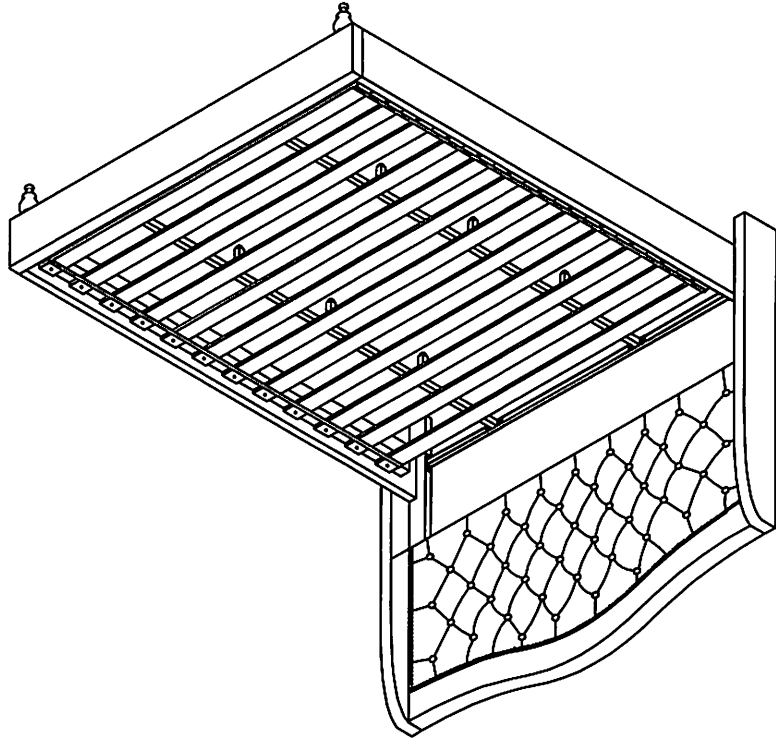
STEP 6



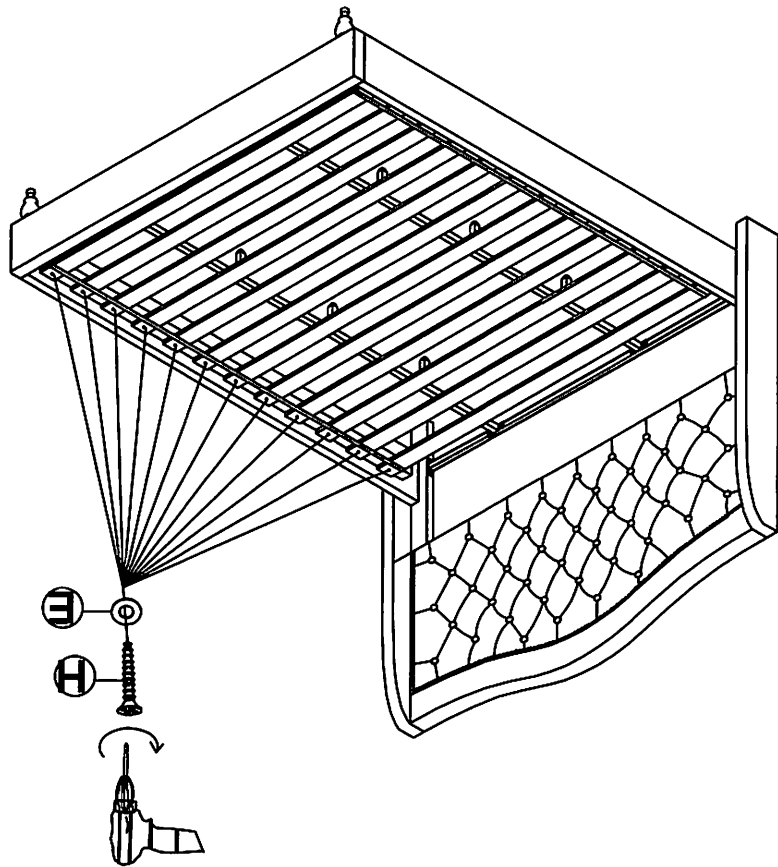
STEP 7



FINAL



STEP 9



STEP 8