

CHAIR

ASSEMBLY GUIDE



Important - Please read these instructions fully before starting assembly



**SAFETY AND
CARE ADVICE**



NO POWER TOOLS

SAFETY AND CARE ADVICE

- Check you have all the components and tools listed.
- Remove all fittings from the plastic bags and separate them into their groups.
- We do not recommend the use of power drills/drivers for inserting screws, as this could damage the unit. Only use hand screwdrivers and Allen keys.
- Keep children and animals away from the work area, small parts could cause choking if swallowed.
- Make sure you have enough space to layout the parts before starting.
- Assemble the item as close to its final position (in the same room) as possible.
- Do not overtighten the nuts to avoid causing damage to the threads.
- Only clean using a damp cloth and mild detergent, do not use bleach or abrasive cleaners.
- From time to time check that there are no loose screws on this unit
- This product should not be discarded with household waste. Take to your local authority waste disposal centre

IMPORTANT INFORMATION



45 MINUTE
BUILD

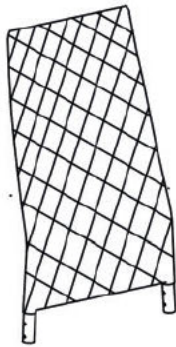


ONE
PERSON



MAXIMUM
CAPACITY
150Kg

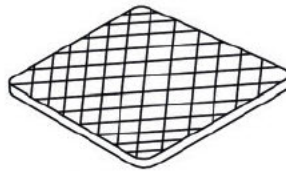
PLEASE CHECK CAREFULLY AND MAKE SURE YOU HAVE ALL FITTINGS AND TOOLS LISTED BELOW BEFORE YOU START.



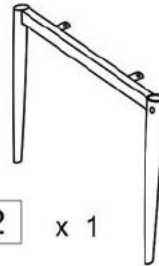
1 x 1



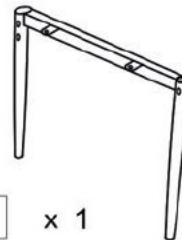
4 x 1








5 x 1



2 x 1



3 x 1

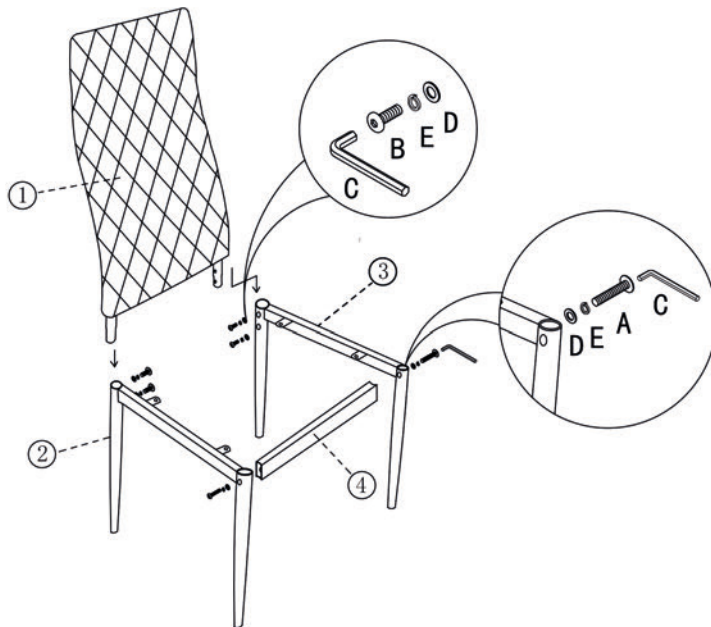
A  M6 x 2	B  M6 x 8	C  M4 x 1
D  M6 x 10	E  M6 x 10	

NOTE: The quantities above are the correct amount to complete the assembly. In some cases more fittings may be supplied than are required.

STEP 1

Insert the chair back (1) into the right (3) and left leg (2).
Screw bar (4) into place with A, E and D. Use allen key C to tighten.

ATTENTION: Be careful not to fully tighten fixings until the final step of assembly

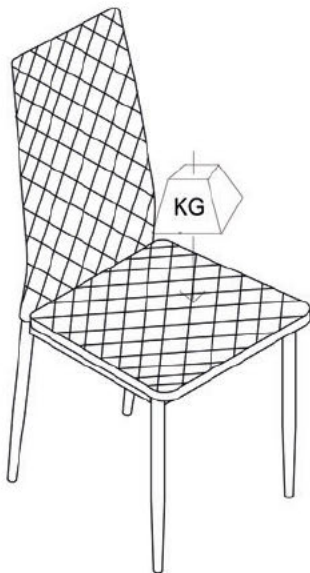
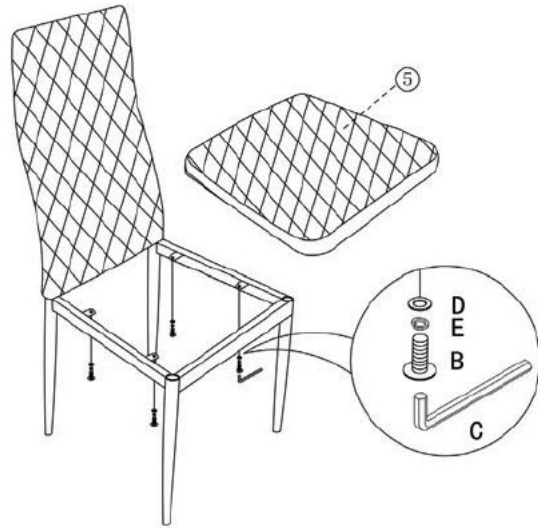


FULL ASSEMBLY INSTRUCTIONS

STEP 2

Place the seat pad upside down on a flat surface ie. Kitchen top.

Place the chair over the seat pad (5) and screw down into the seat pad to secure.



STEP 3

ATTENTION: While sitting on the chair, fully tighten all the fixings to complete assembly. Your chair is now ready to use.

LOOKING GOOD!

Now you've assembled your product find out how to care for your item and keep it looking brand new.





OUR 1 YEAR GUARANTEE

our products come with a 1 year guarantee to give you peace of mind shopping at Furniturebox



WHAT THE GUARANTEE COVERS



PRE-INSERTED FIXINGS
e.g. lose metal threads



FAULTY JOINTS
e.g. legs bending



EXTERNAL FIXING FAULTS
e.g. metal discs removing from table top



STRUCTURAL INTEGRITY
e.g. the frame of the product