








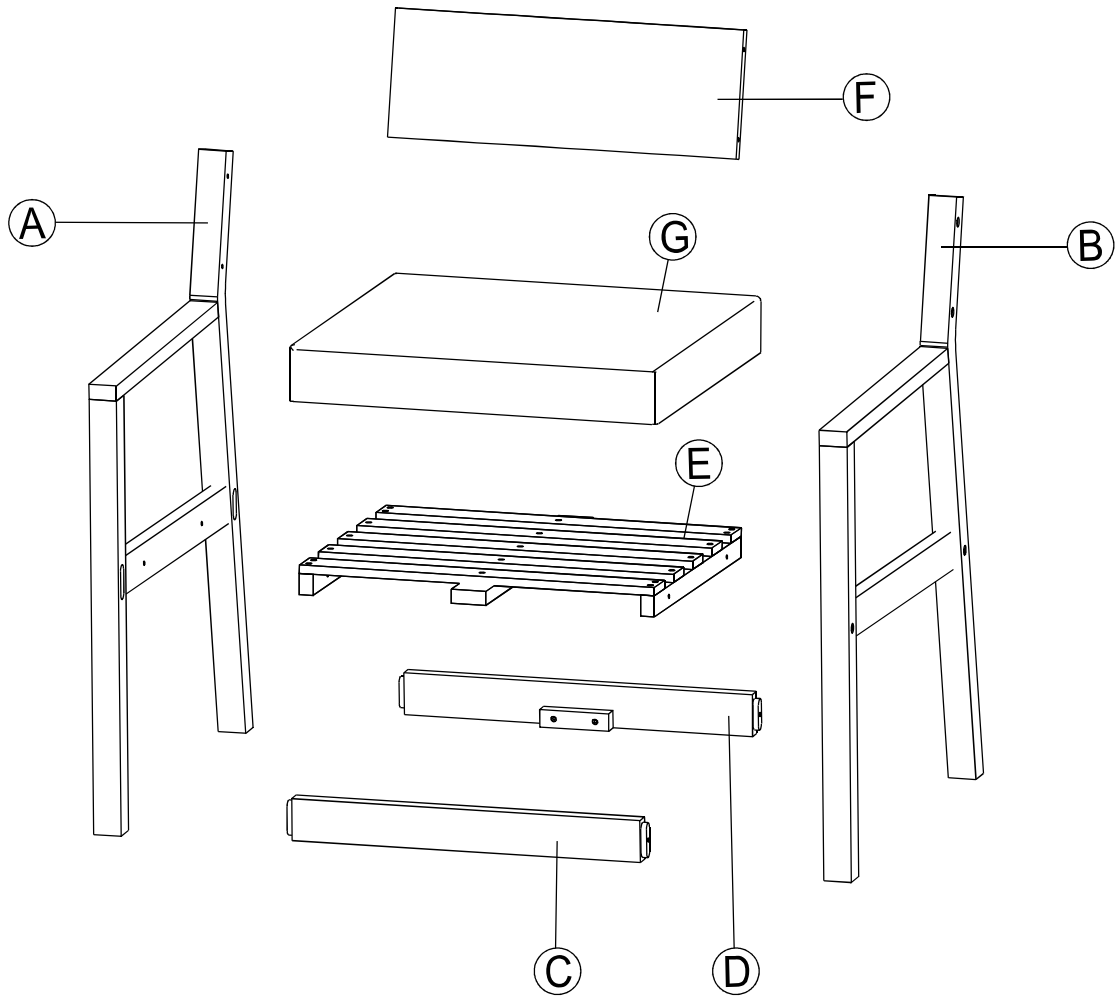
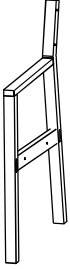
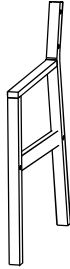

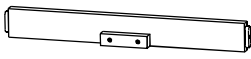
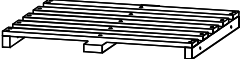




# Care & Maintenance




- ⊘  • Not for commercial use. For residential use only.
- ⊘  • Do not put hot items directly on furniture surface.
- ⊘  • Do not clean furniture with harsh cleansers or polishes.
- ✓  • To obtain the longest lifespan of your outdoor products, minimizing exposure to direct sunlight is recommended.
- ⊘  • Children should not climb or jump on the furniture.
- ⊘  • Do not write on furniture without a padded barrier to protect the surface.
- ✓  • To obtain the longest lifespan of your outdoor products, avoid extended and lengthy exposure to rain, snow, and direct sunshine. Whenever possible cover the product and /or place under patio or awnings.
- ⊘  • Stains may be removed with mild soap solution and damp cloth.
- ✓  • Dust and pick-up spills using a clean, non-colored, lint-free cloth.



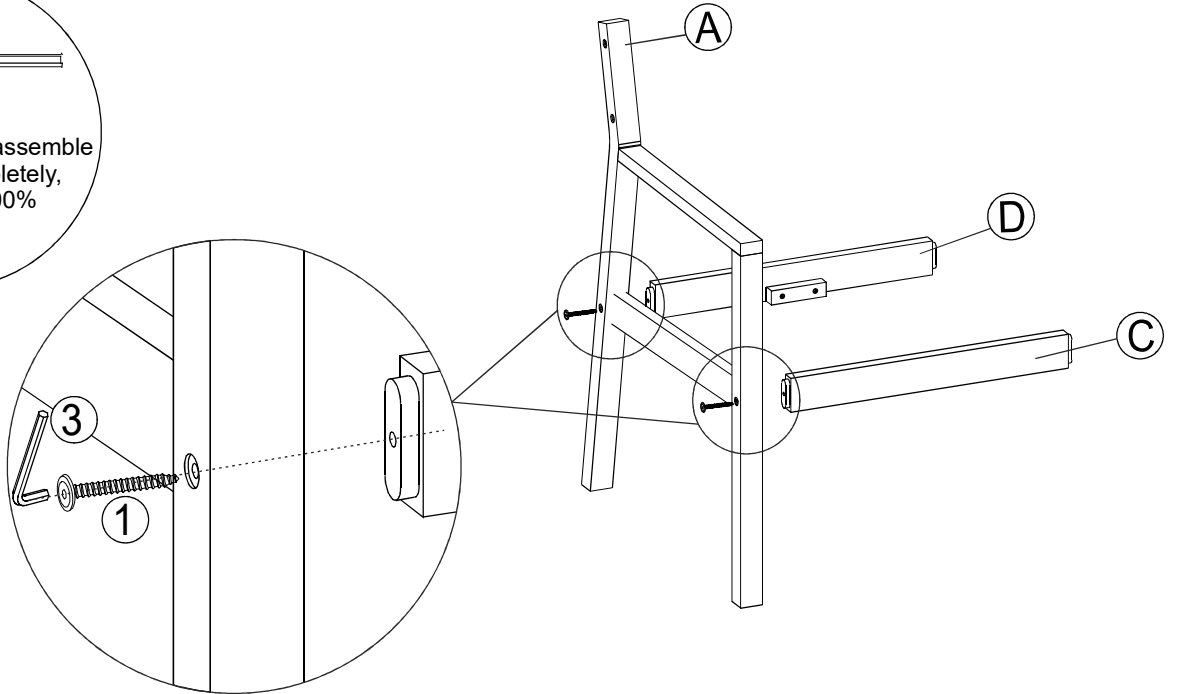
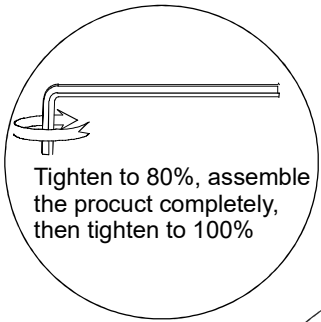
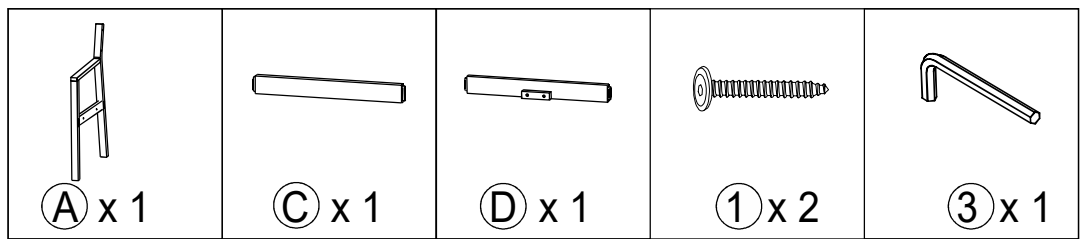
**Parts list: N715P406150**

<p><b>A</b></p>  <p>Left Leg Panel (1 pc)</p>	<p><b>B</b></p>  <p>Right Leg Panel (1 pc)</p>	<p><b>C</b></p>  <p>Front Support Bar (1 pc)</p>	<p><b>D</b></p>  <p>Back Support Bar (1 pc)</p>	<p><b>E</b></p>  <p>Seat Panel (1 pc)</p>
<p><b>F</b></p>  <p>Backrest Panel (1 pc)</p>	<p><b>G</b></p>  <p>Seat Cushion (1 pc)</p>			

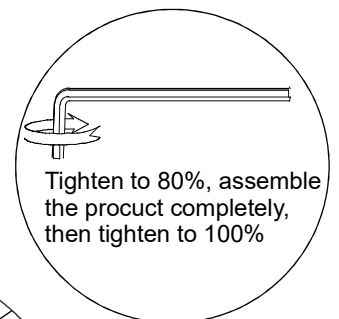
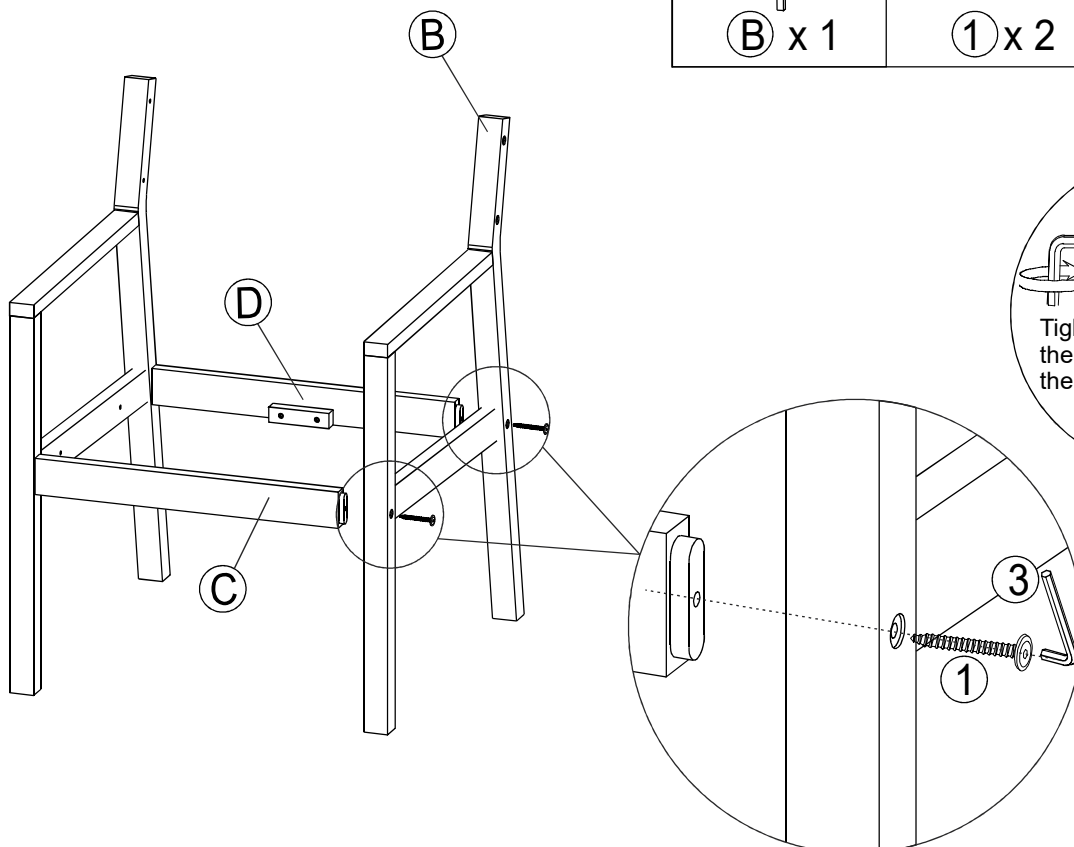
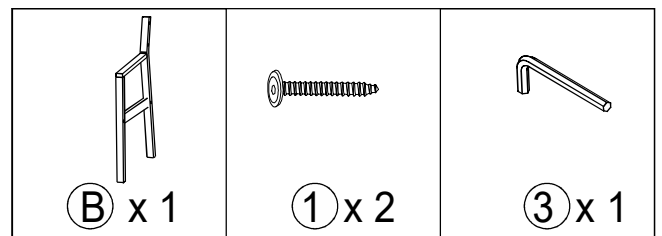
**Hardware list: N715P406150**

<p><b>1</b></p>  <p>Screw M6x70mm (9pcs)</p>	<p><b>2</b></p>  <p>Screw M6x35mm (5pcs)</p>	<p><b>3</b></p>  <p>Allen Wrench (1pc)</p>
---	---	---

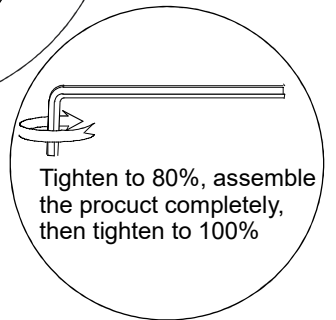
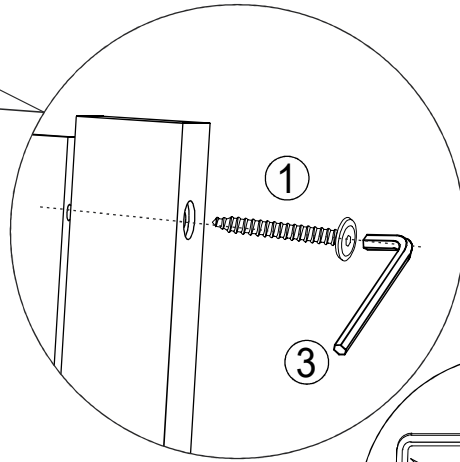
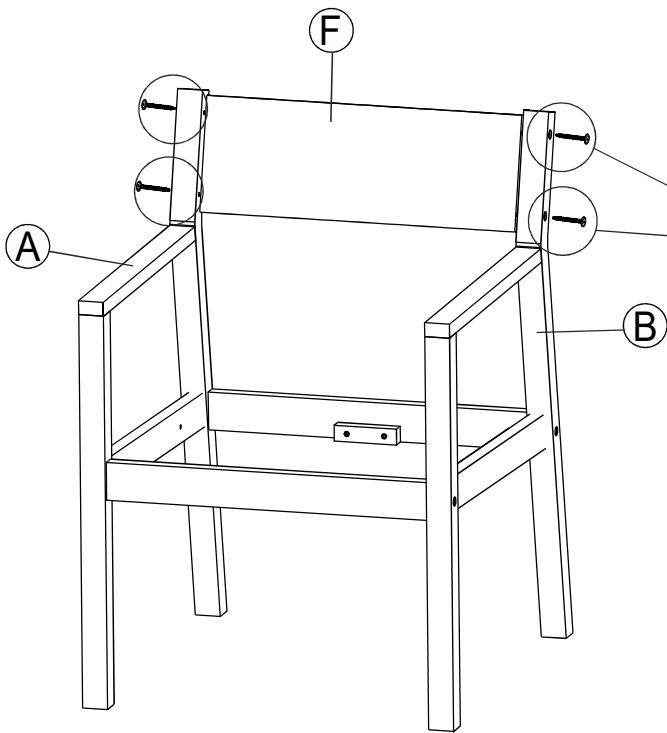
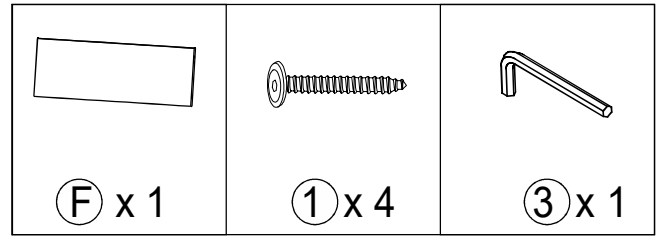
## Step 1



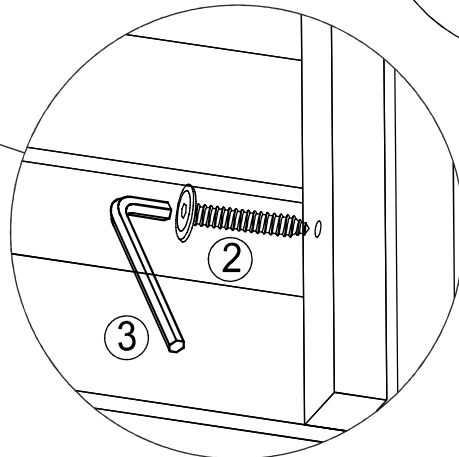
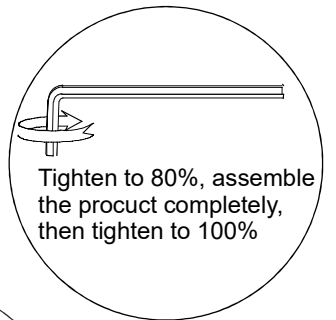
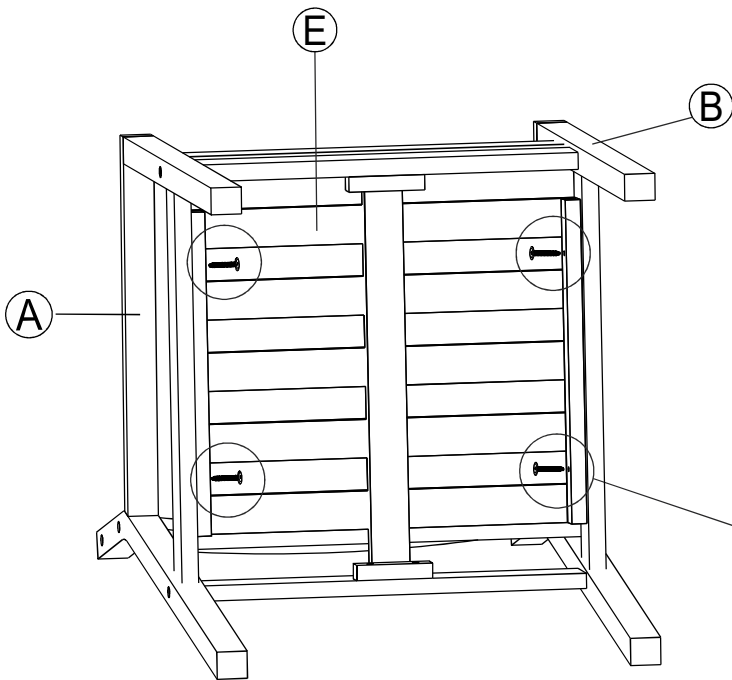
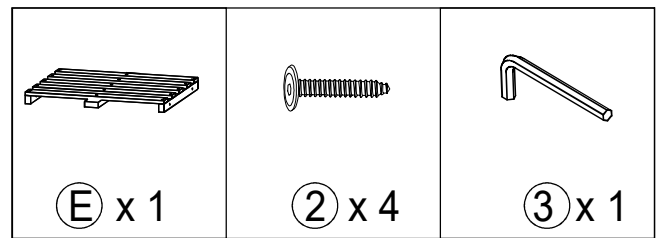
## Step 2



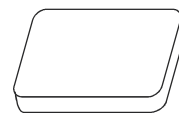
### Step 3



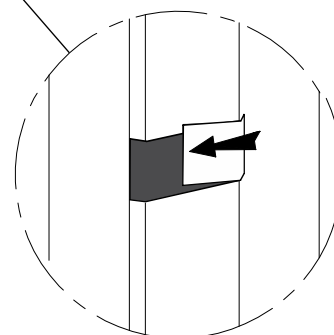
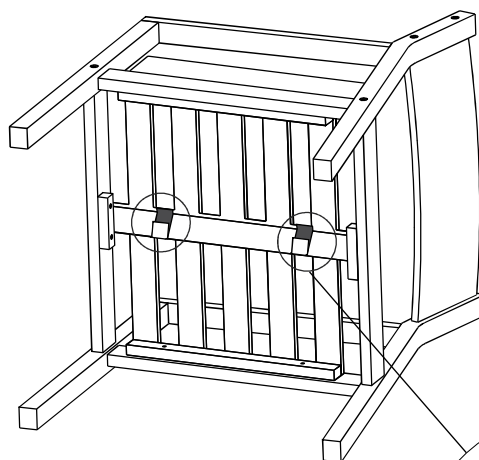
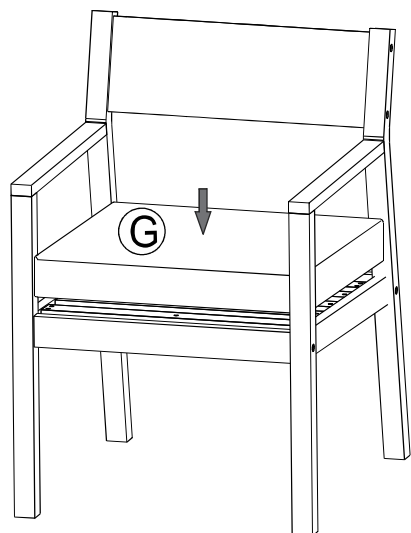
### Step 4



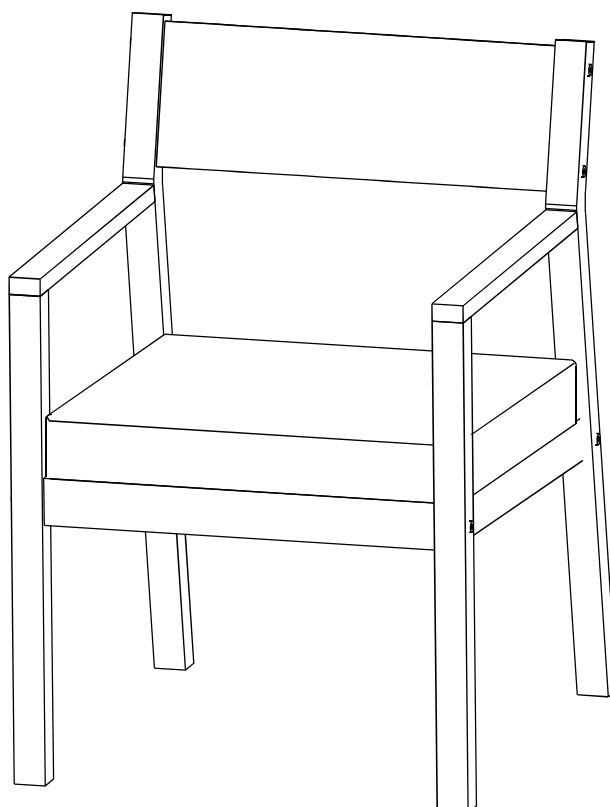
## Step 5



ⓐ x 1



## Step 6



**FINISH**