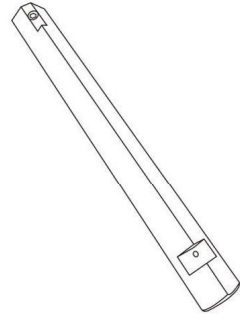


Assembly Instructions

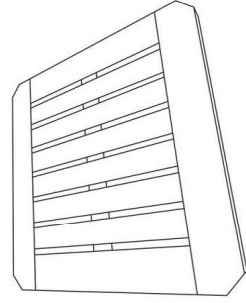


Parts List

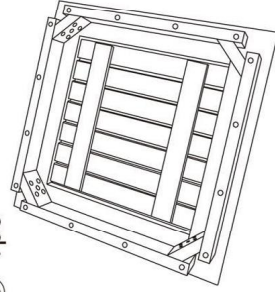
① 4pcs



② 1pc



③ 1pc



Hardware List

A



8*45mm 4pcs

B



4*40mm 4pcs

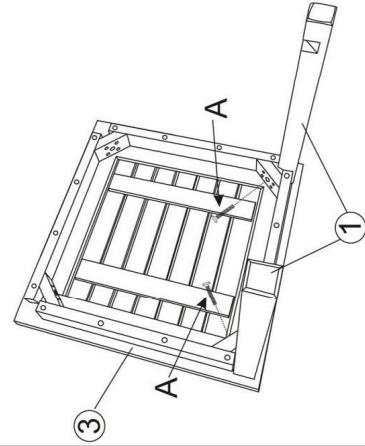
Tool



1pc

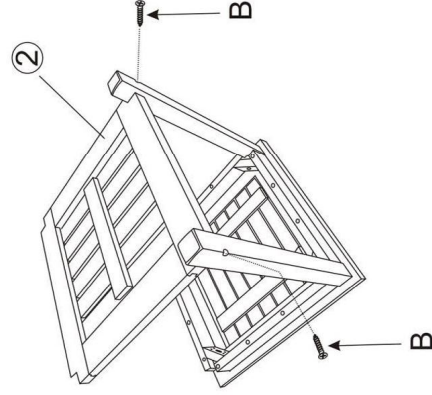
Assembly Instruction

step 1



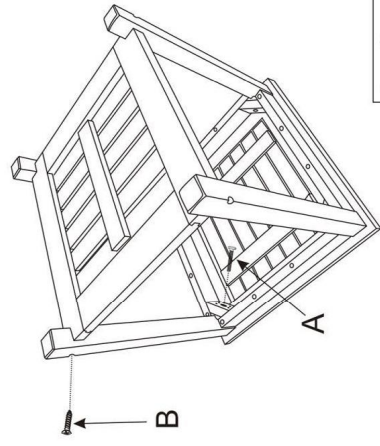
A = 2pcs

step 2



B = 2pcs

step 3



A = 2pcs

B = 2pcs