

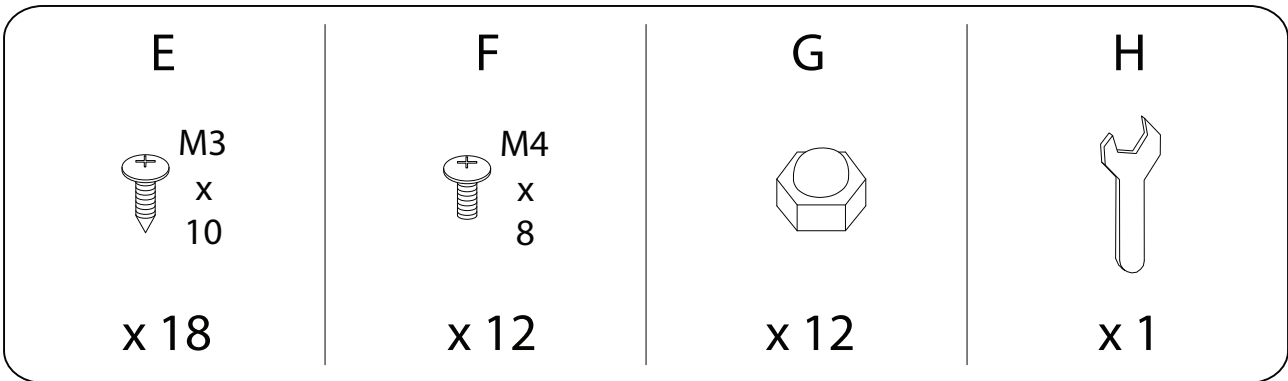
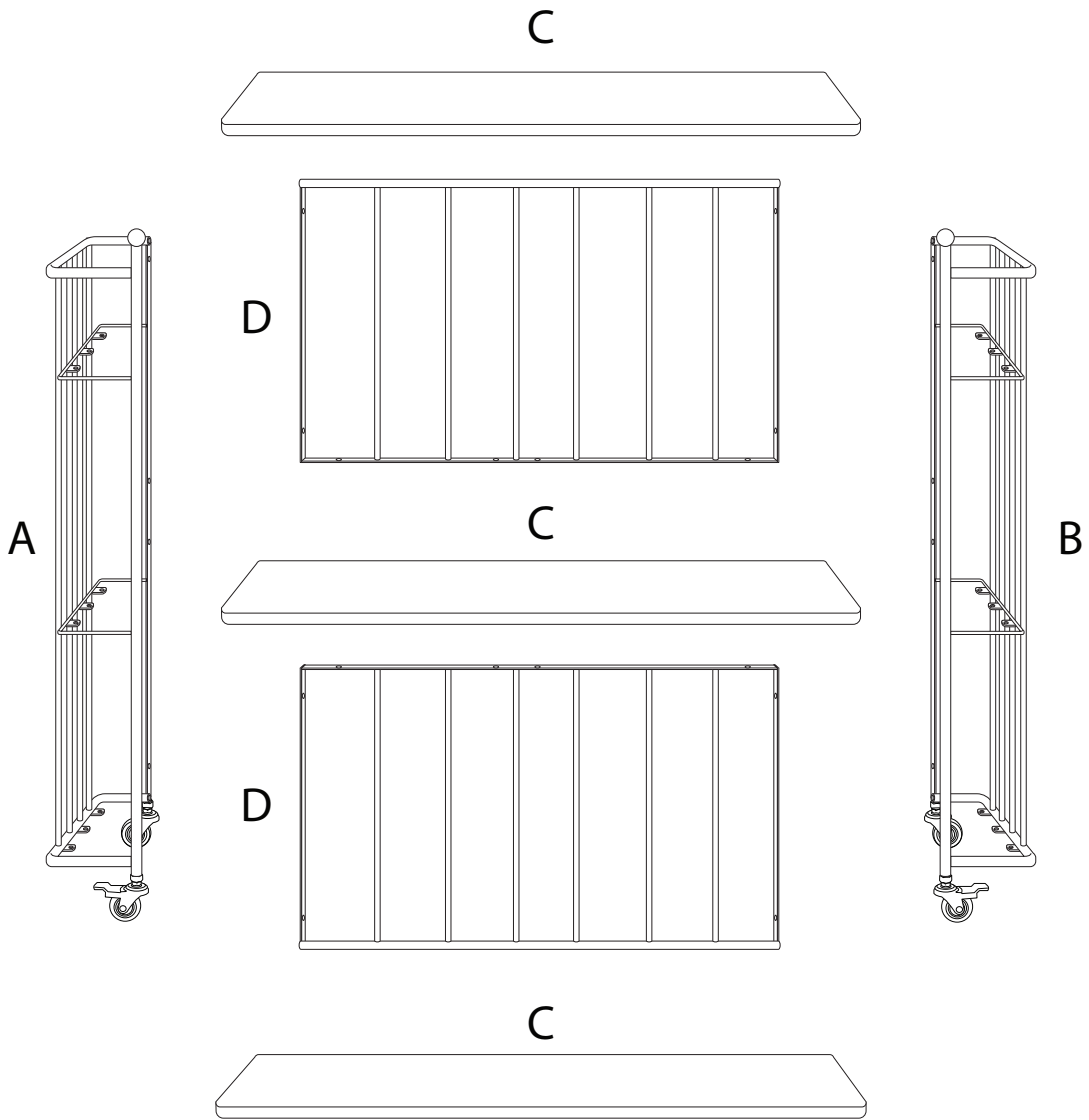
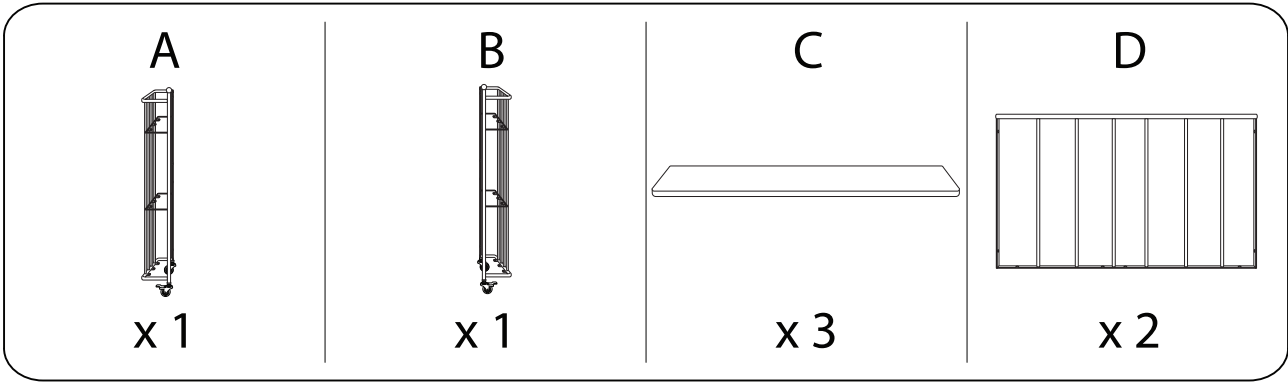
Assembly instructions for the cart, including tool requirements, time estimate, and personnel needed.

**Tools:** A circle containing a screwdriver and a wrench, and a separate icon of a power drill.

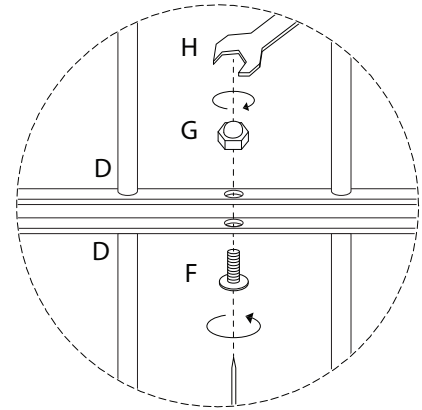
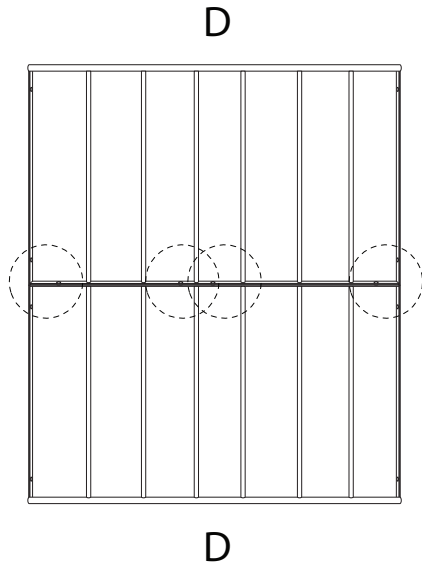
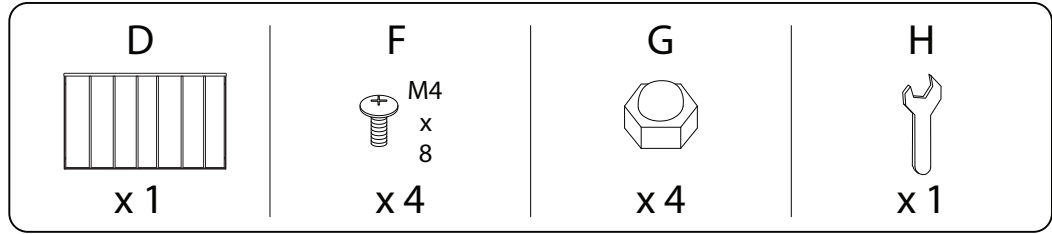
**Time:** A clock icon with the text "20'" below it.

**Personnel:** A stick figure icon with the number "2" below it.

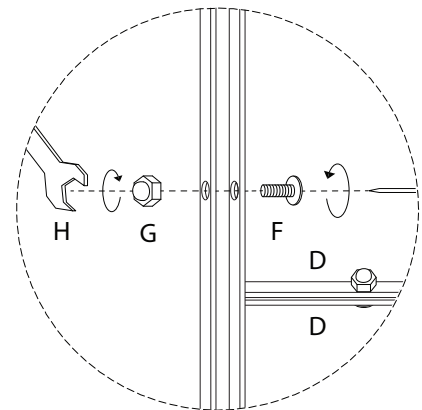
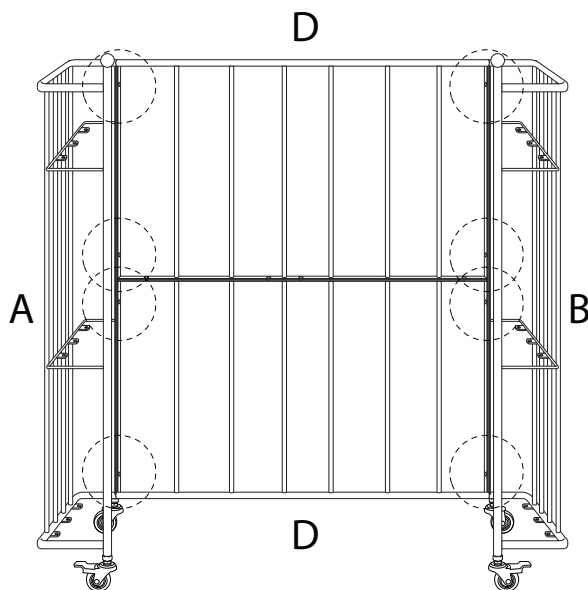
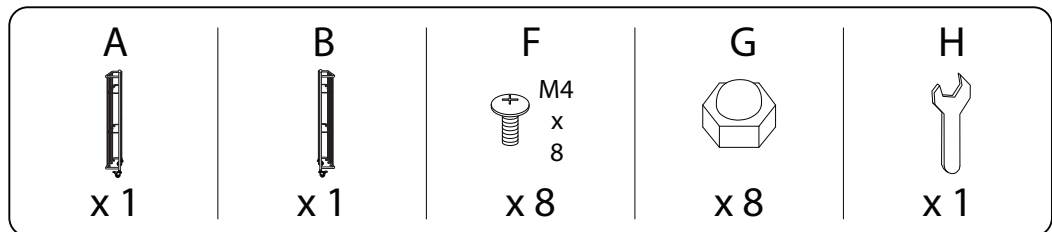
**Warnings:** Two warning triangles (exclamation marks in triangles) are positioned to the right of the tool and personnel icons, indicating safety precautions.



1



2



3

