

WARNING

** WE RECOMMEND INSTALLATION OF THIS LIGHTING FIXTURE BE DONE BY A LICENSED ELECTRICIAN **

- * Switch off the main electrical supply from the main fuse box / circuit breaker before installation.
- * Inspect item carefully before attempting to install.
- * If there is any damages or obvious defects, do not install.
- * Item may not be returned once it has been installed.

CARE AND MAINTENANCE







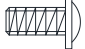


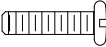
- * To clean the outside of the fixture, use a dry or slightly dampened clean cloth (use clean water, never a solvent) to wipe the surface of the fixture.
- * To clean the inside of the fixture, first disconnect power to the fixture by turning off the circuit breaker or by removing the fuse at the fuse box. Next, use a dry or slightly dampened clean cloth (use clean water, never a solvent) to wipe the interior surface of the fixture.
- * Do not use any cleaners with chemical, solvents or harsh abrasives. Use only a dry soft cloth to dust or wipe carefully.

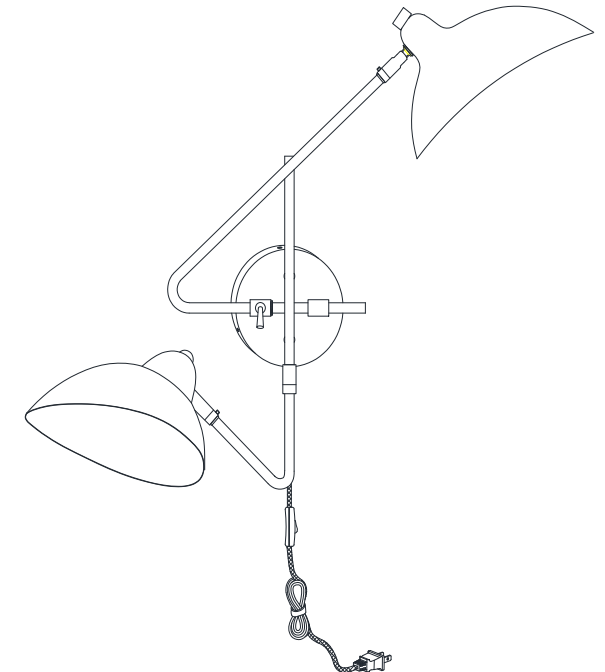
NOTICE & IMPORTANT SAFETY INSTRUCTIONS

- * Please make sure that you have all parts indicated before you begin assembly of this item
 - * This item should be assembled on a soft surface to prevent scratching the finish during assembly
 - * To reduce the risk of fire, electrical shock or injury to persons or property, please follow the guideline below for safe use and installation
 - * The external flexible cable or cord of this lamp cannot be replaced
- If the cord is damaged, the lamp shall be destroyed

Product Dimensions: 28"L X14.5"W X19"H

Part List and Hardware List

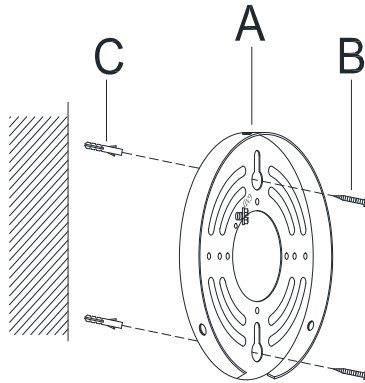
PIECE	DESCRIPTION	PICTURE	QUANTITY	PIECE	DESCRIPTION	PICTURE	QUANTITY
A	mounting plate		1X	J	wire connector		3X
B	Screw		2X	K	ground screw		1X
C	Anchor		2X	L	Tube plug		1X
D	Mounting screw		3X	M	lamp body		1X
I	Bulb		2X	N	Outlet box screw		2X



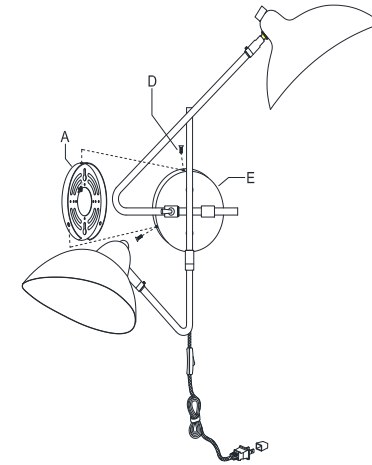
PREPARATION

- * Before beginning assembly of product, make sure all parts are present. Compare parts with package contents list and hardware contents list.
- * If any part is missing or damaged, do not attempt to assemble the product.
- * Estimated Assembly Time: 20 minutes.
- * If you are having difficulty, our friendly Customer Care team is always here to help.

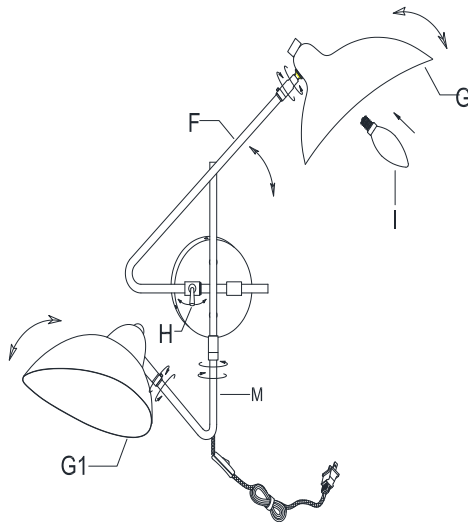
NOTE: PLEASE USE TYPE "B" BULB MAX 40-WATT OR LED BULB MAX 13-WATT, THERE IS LED 4-WATT BULB IN THE BOX



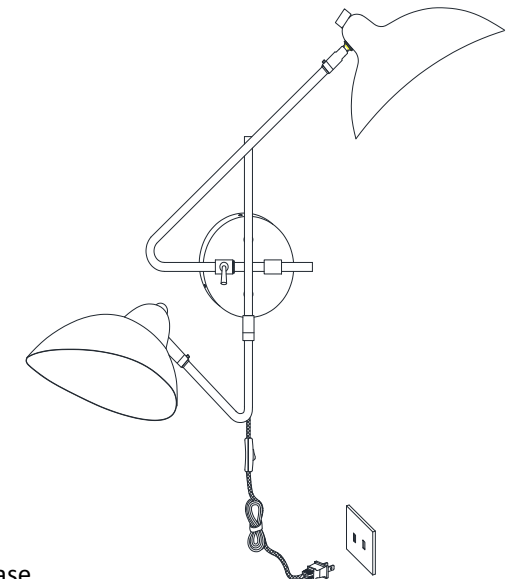
Step 1: First mark the position of the rubber plug hole with the mounting plate (A), punch holes on the wall and install the anchor (C), and then fix the mounting plate (A) on the wall with screw (B) .



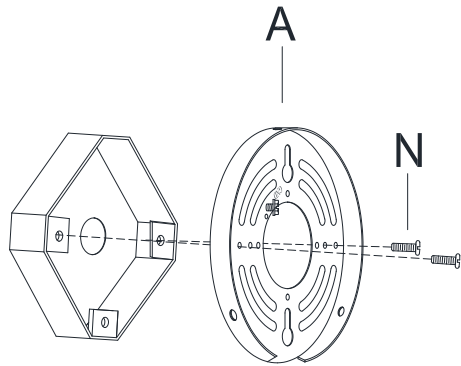
Step 2: Lock the backplate (E) on the mounting plate (A) with mounting screws (D).



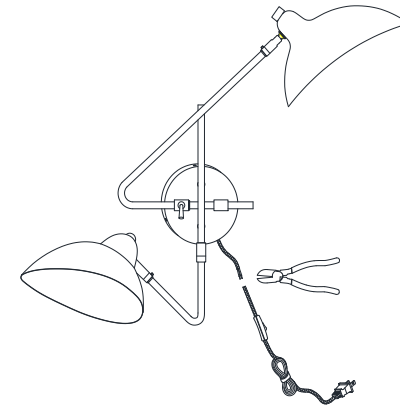
Step 3: Turn the lamp arm (F) to the appropriate position, tighten the handle (H) for positioning, turn the lamp body (M) to the appropriate position, and then adjust the angle of the iron cover (G)(G1), and install the bulb (I) into the socket of the lamp body (M).



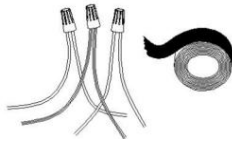
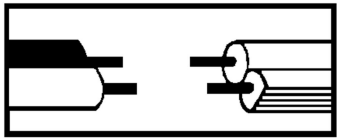
Step 4: Put the plug into the plugbase.



Step 1: Lock the mounting plate (A) on the junction box with the outlet box screw (N)



Step 2: Keep the length of the fixture wire at least 6 in. from the center of the backplate (E) and cut the fixture wire. Then use the wire strippers (not included) to separate approximately 1/2 in. of the insulated wire.



Step 2: Wire connection

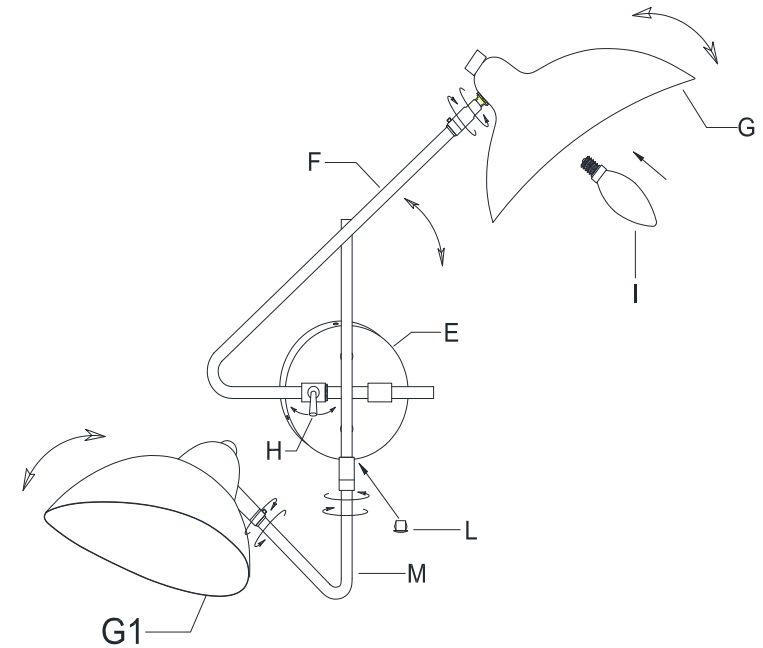
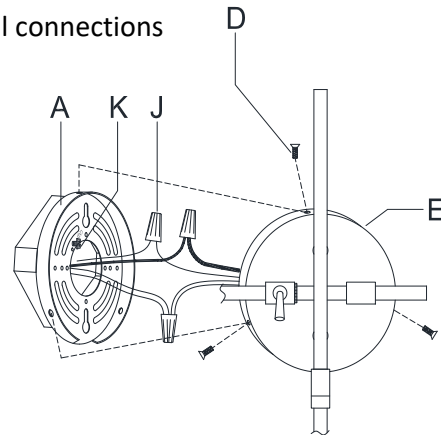
Connect fixture neutral wire (ribbed) to the outlet box neutral wire (usually white) using a wire connector.

Connect fixture hot wire (smooth with markings) to the outlet box hot wire (usually black) using a wire connector.

CAUTION: Do not reverse the hot and neutral connections

Grounding Instructions:

Wrap ground wire from outlet box around green ground screw (K) on mounting bracket, no less than 2" from wire end. Tighten ground screw. If fixture is supplied with a ground wire, connect to outlet ground wire with a wire connector.



Step 4: Turn the lamp arm (F) to the appropriate position, tighten the handle (H) for positioning, turn the lamp body (M) to the appropriate position, then adjust the angle of the iron cover (G)(G1), install the tube plug (L) on the backplate, and install the bulb (I) into the socket of the lamp body (M).