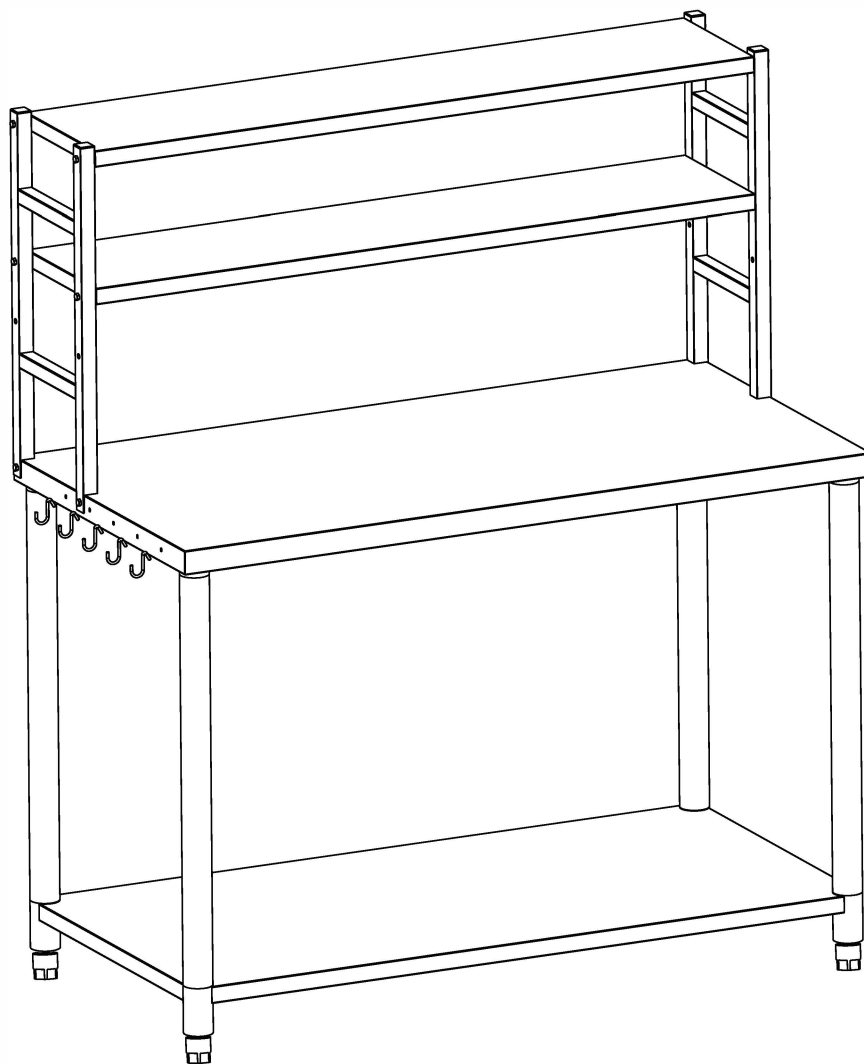
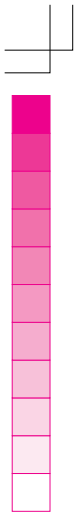


ASSEMBLY INSTRUCTIONS

Stainless Steel Workbench



Thank for choosing our product. Please kindly check parts listed below and read this manual carefully, then assemble them step by step. Please feel free to contact us for any questions. Retain instructions for future reference.



ATTENTION

1. 2 persons are recommended to assemble it. Power tools are highly recommended for screwing.
2. Please wear protective gloves when assemble for safety.
3. We value your experience, so whenever you encounter any issues (whether it's related to delivery, assembly, usage, or post-purchase care, etc.), please contact us promptly.
4. Please keep your children away until the installation is complete. This product contains small parts that could pose a choking hazard if swallowed.

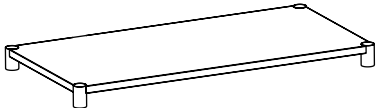
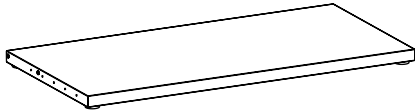
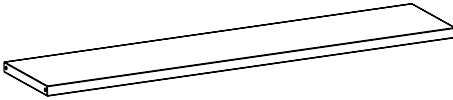
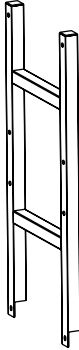
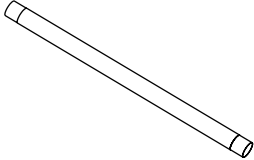
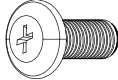
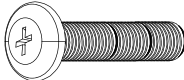
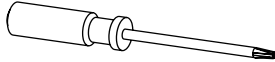
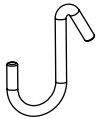
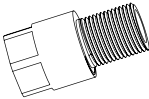


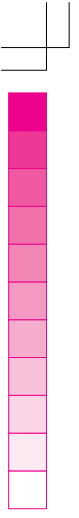
ABOUT ASSEMBLY

1. Prior to assembly, separate and count all parts and hardware and identify all the parts as listed are received.
2. Please read the instructions manual before installation and follow the steps carefully as shown in the diagrams.



PARTS LIST

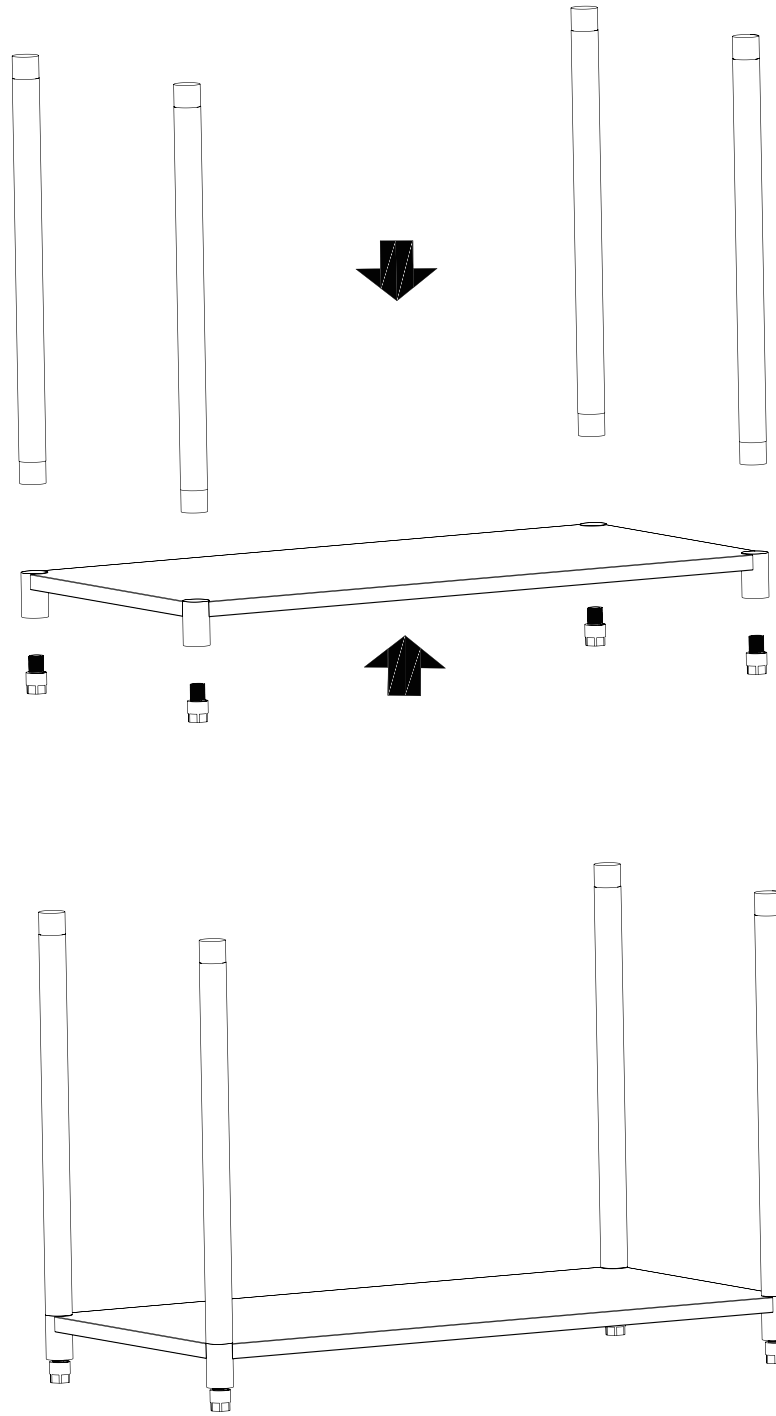
1	1PC	2	1PC	3	2PCS
					
4	2PCS	5	4PCS		
					
A M6x15mm	4PCS	B M6x45mm	8PCS	C Phillips screwdriver	1PC
					
D Pothook	5PCS	E Adjusting foot	4PCS		
					



Assembly Guide

Step 1

①		1pc
⑤		4pcs
Ⓔ		4pcs

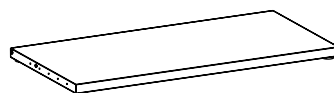


出465X395CTP,咬口5公分。转单黑出。

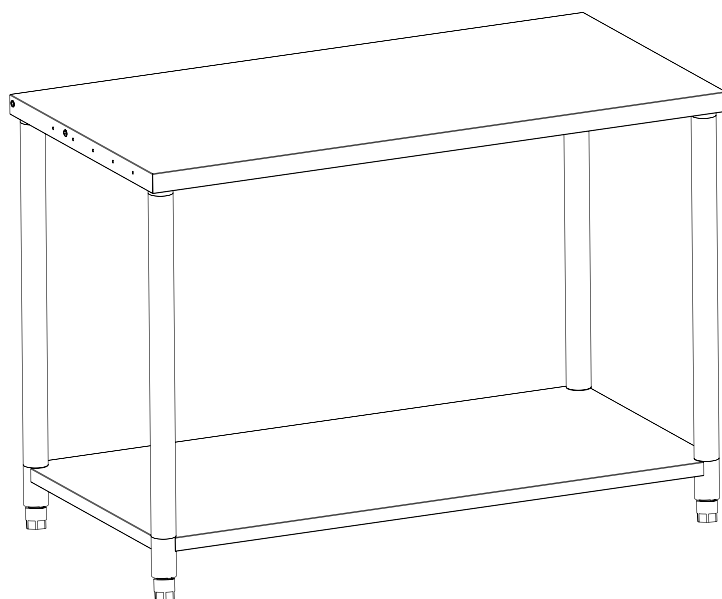
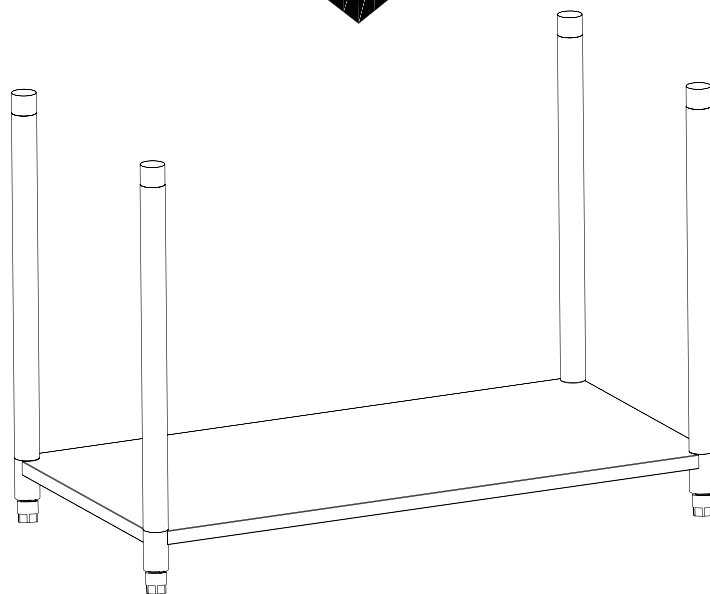
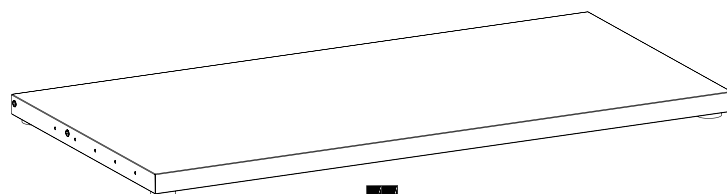
Assembly Guide

Step 2

2



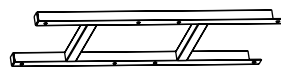
1pc



Assembly Guide

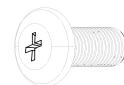
Step 3

4



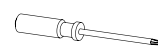
2pcs

A

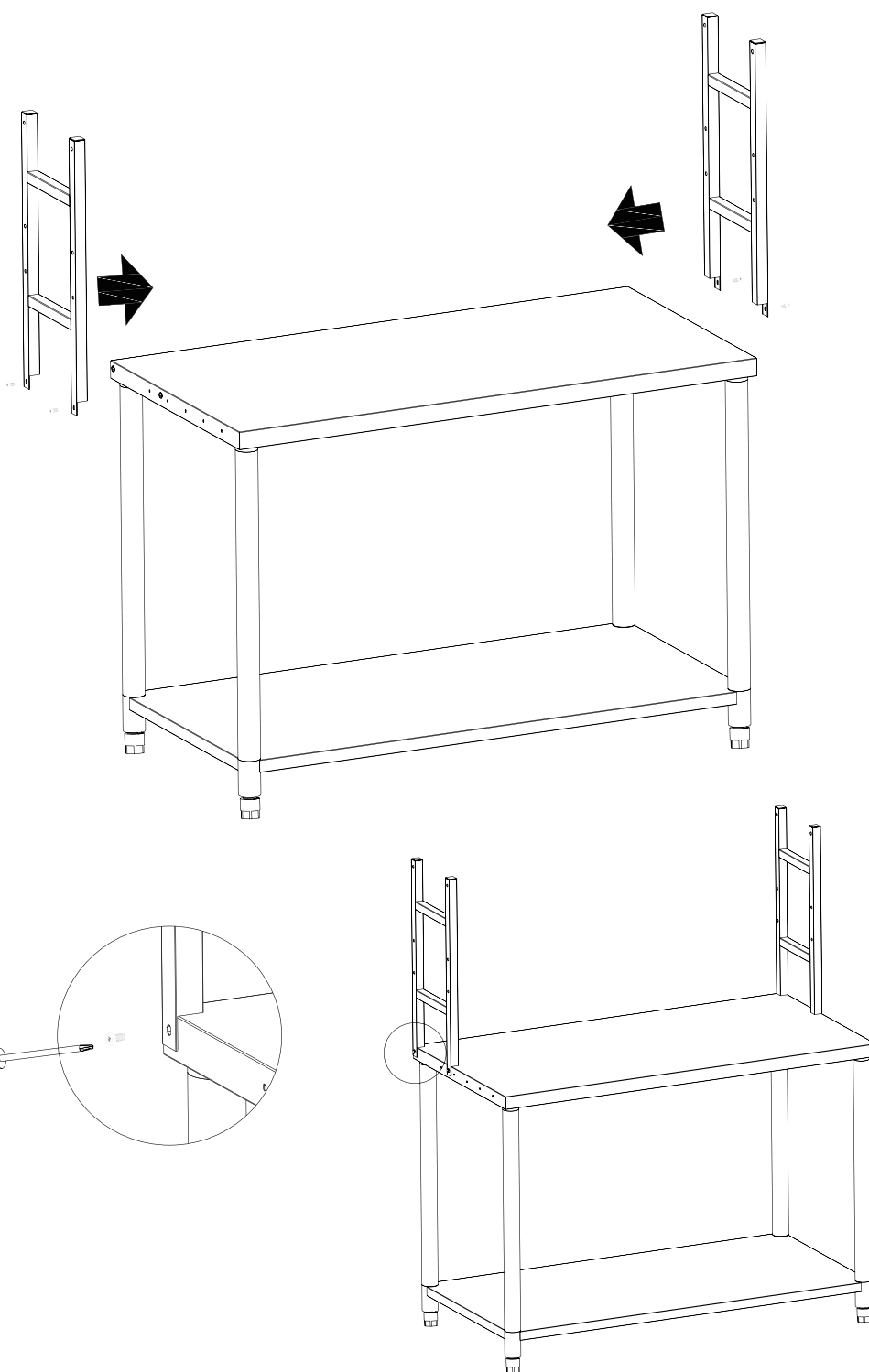


4pcs

C



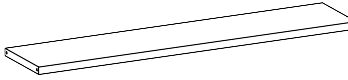
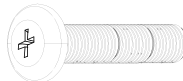
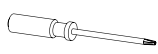
1pc

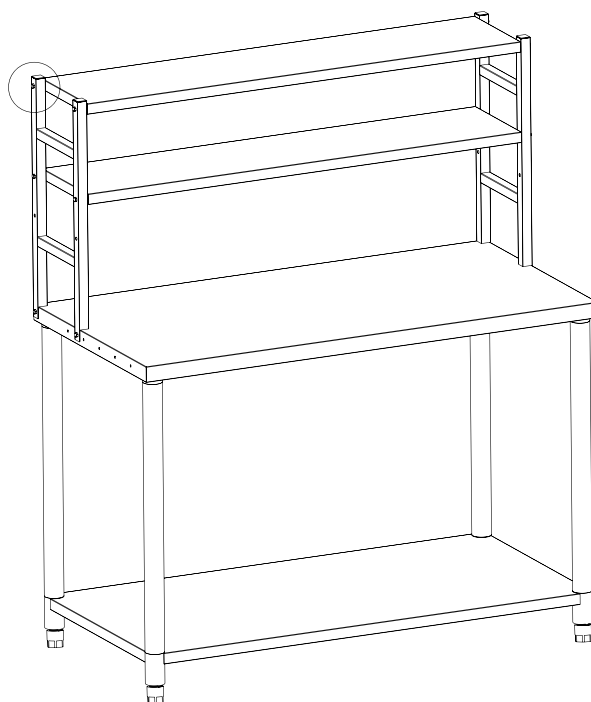
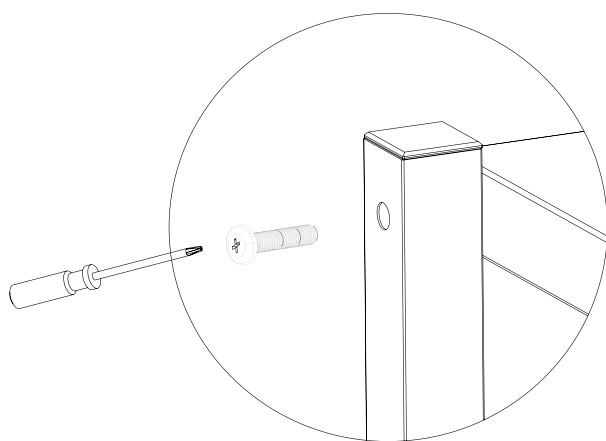
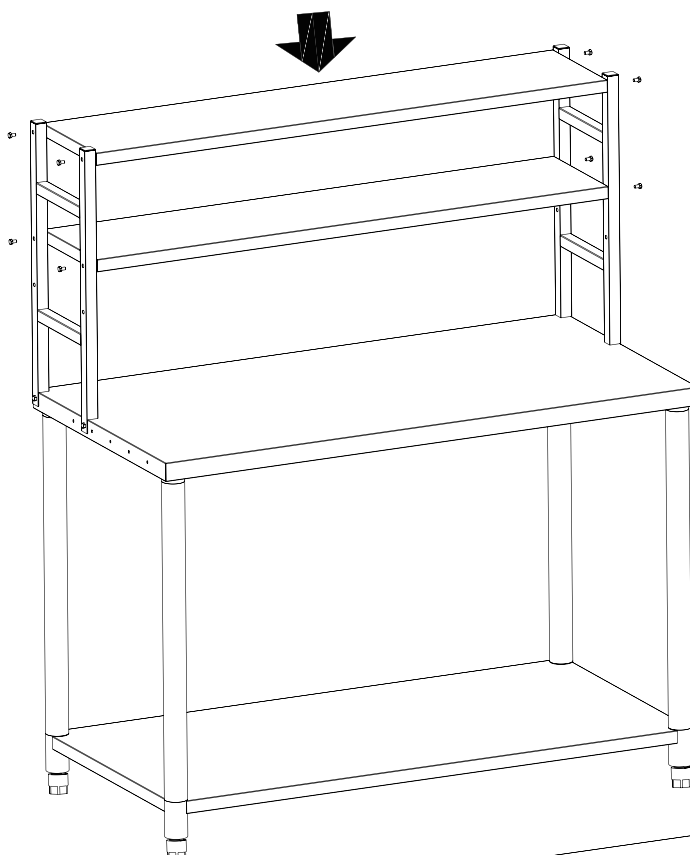


出465X395CTP,咬口5公分。转单黑出。

Assembly Guide

Step 4

③		2pcs
B		8pcs
C		1pc



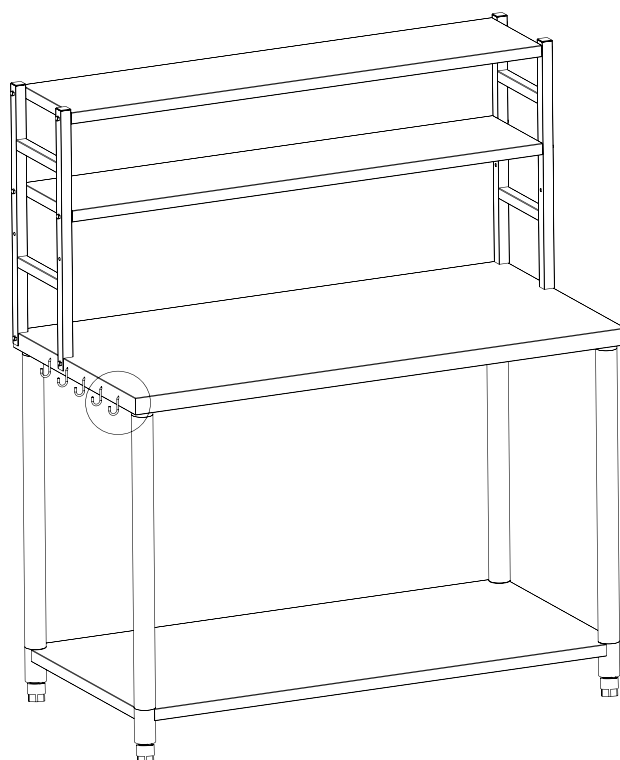
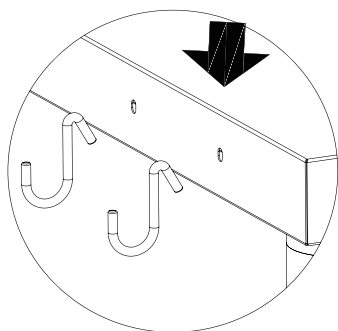
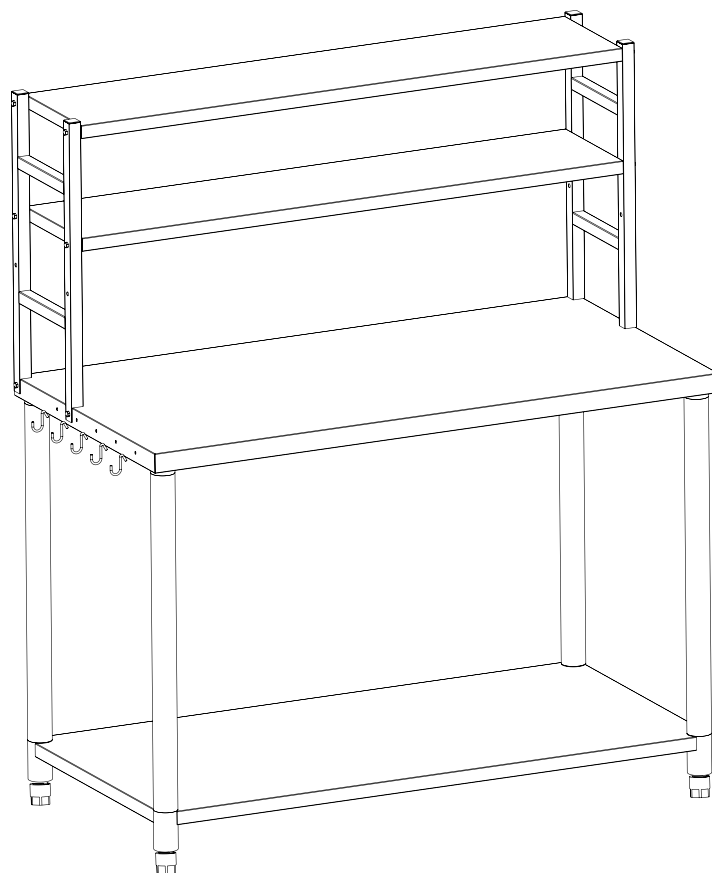
Assembly Guide

Step 5

(D)



5pcs



出465X395CTP,咬口5公分。转单黑出。