



LIST OF FITTINGS:

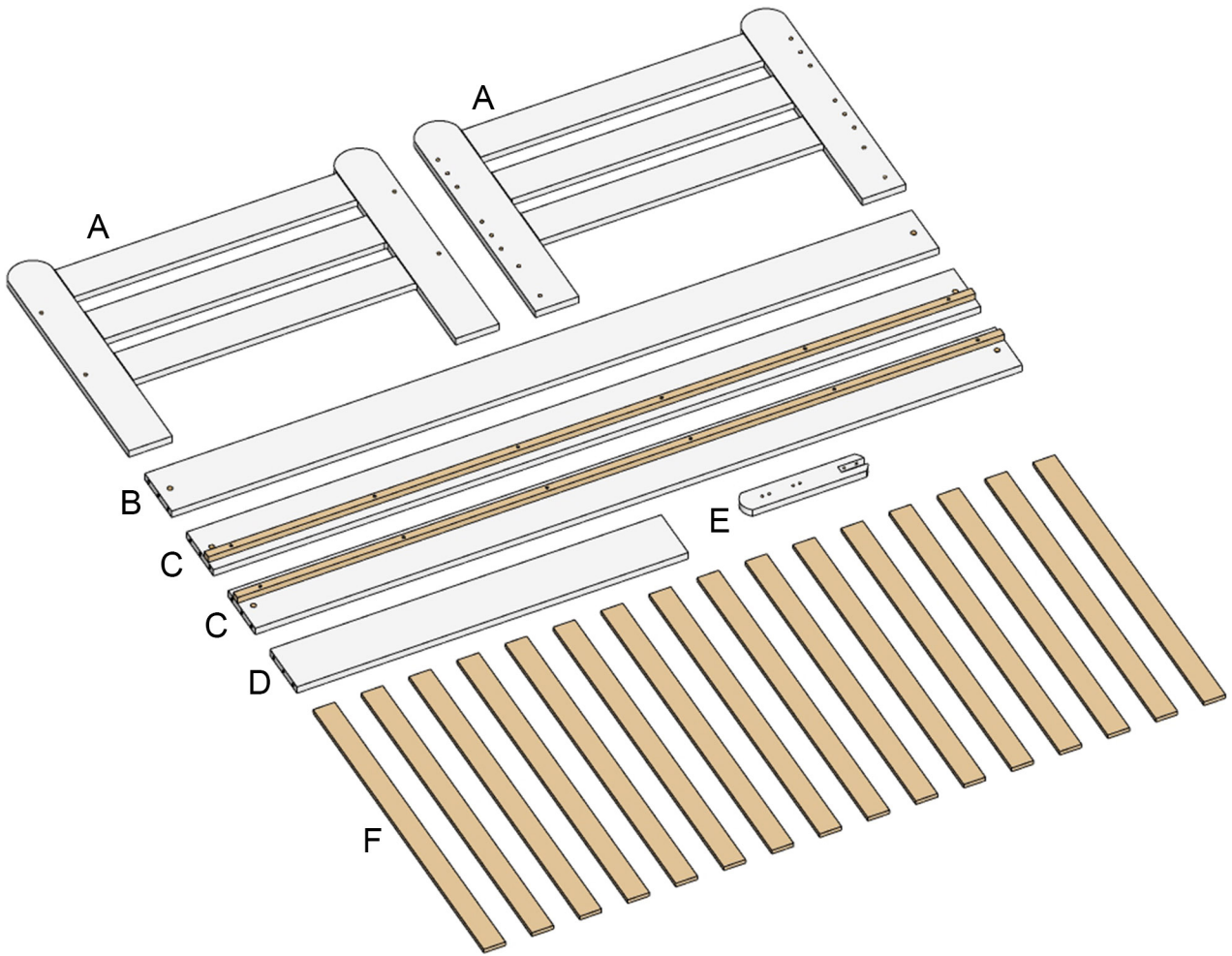
									
Wrench 1 pcs.	Bolt M6x60 9 pcs.	Barrel nut 9 pcs.	Wooden dowels 22 pcs.	Screw (3,5cm) Confirmat 25/40 pcs.** 4 pcs.	Screw Confirmat 4 pcs.	Cam lock bolt 6 pcs.	Cam lock 6 pcs.	Wheels 4 pcs.	Screw (assembly of wheels in the drawer) 8 pcs.

* manual shows the assembly of the bed model "RYSIO", depending on the purchased bed the front sides will be in a different shape

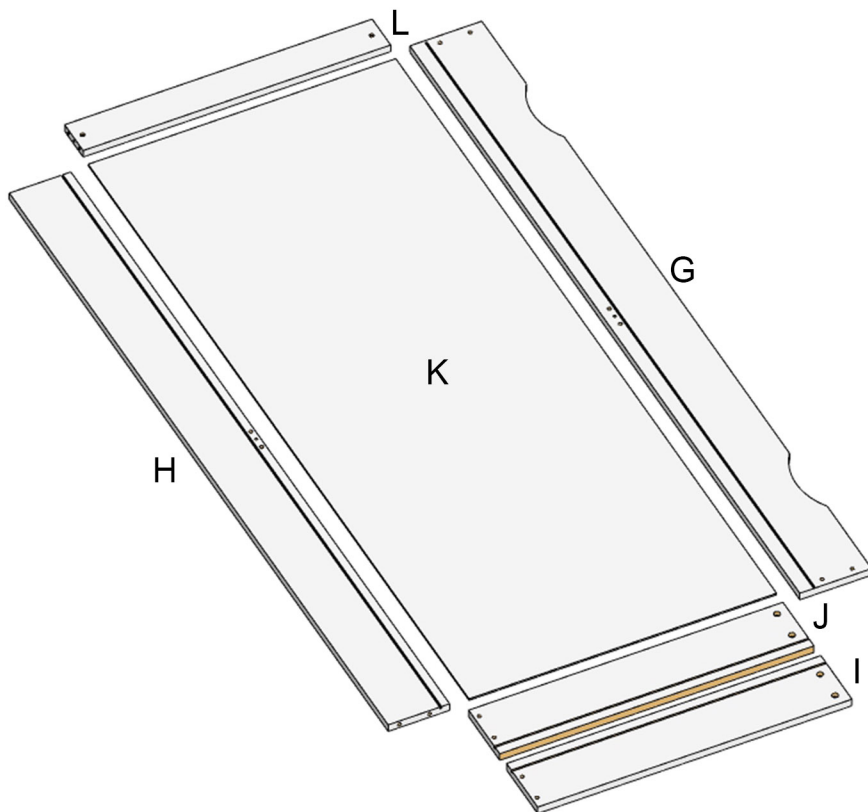
** number of screws and slats under mattress depending on the size of the bed

LIST OF ELEMENTS:

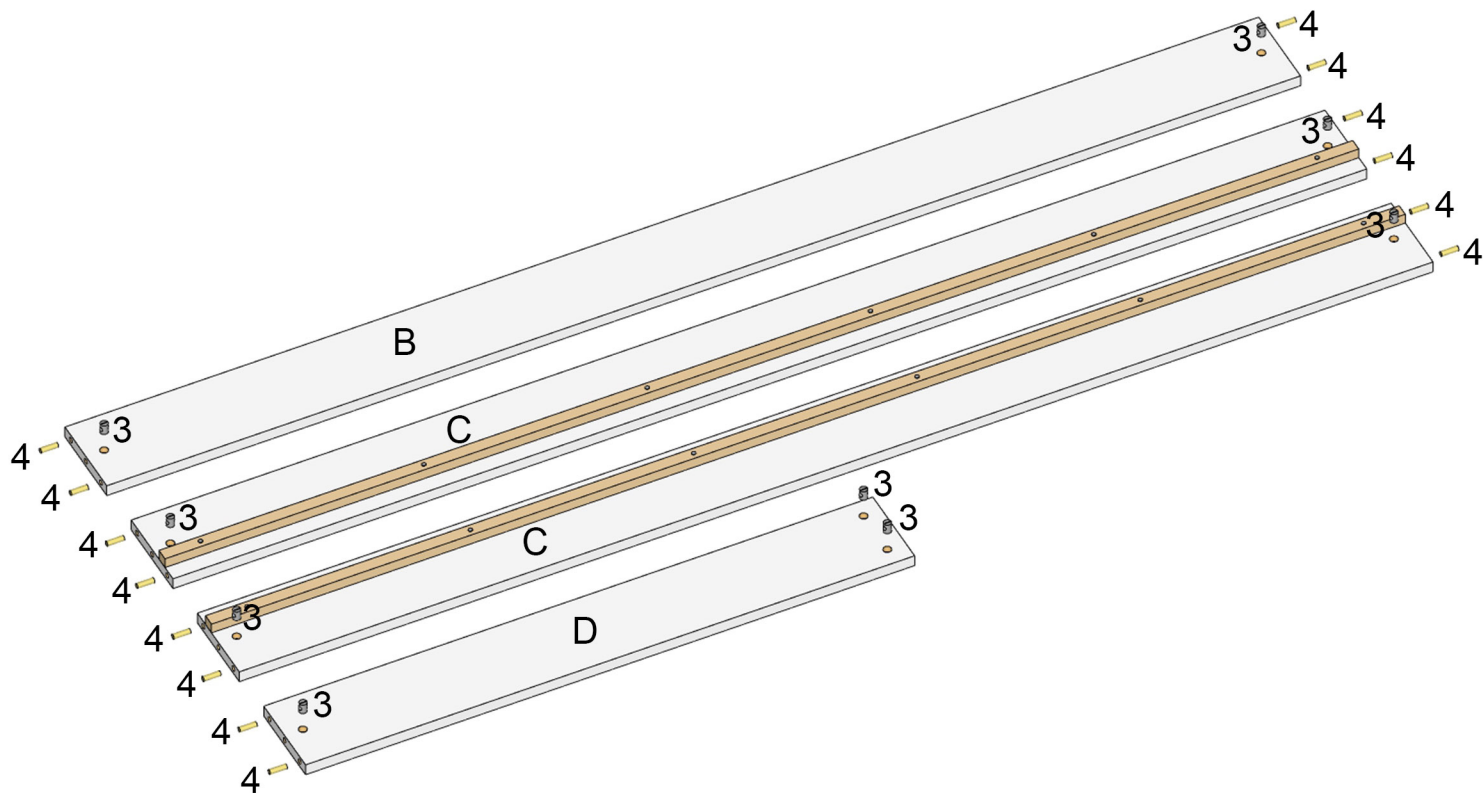
BED



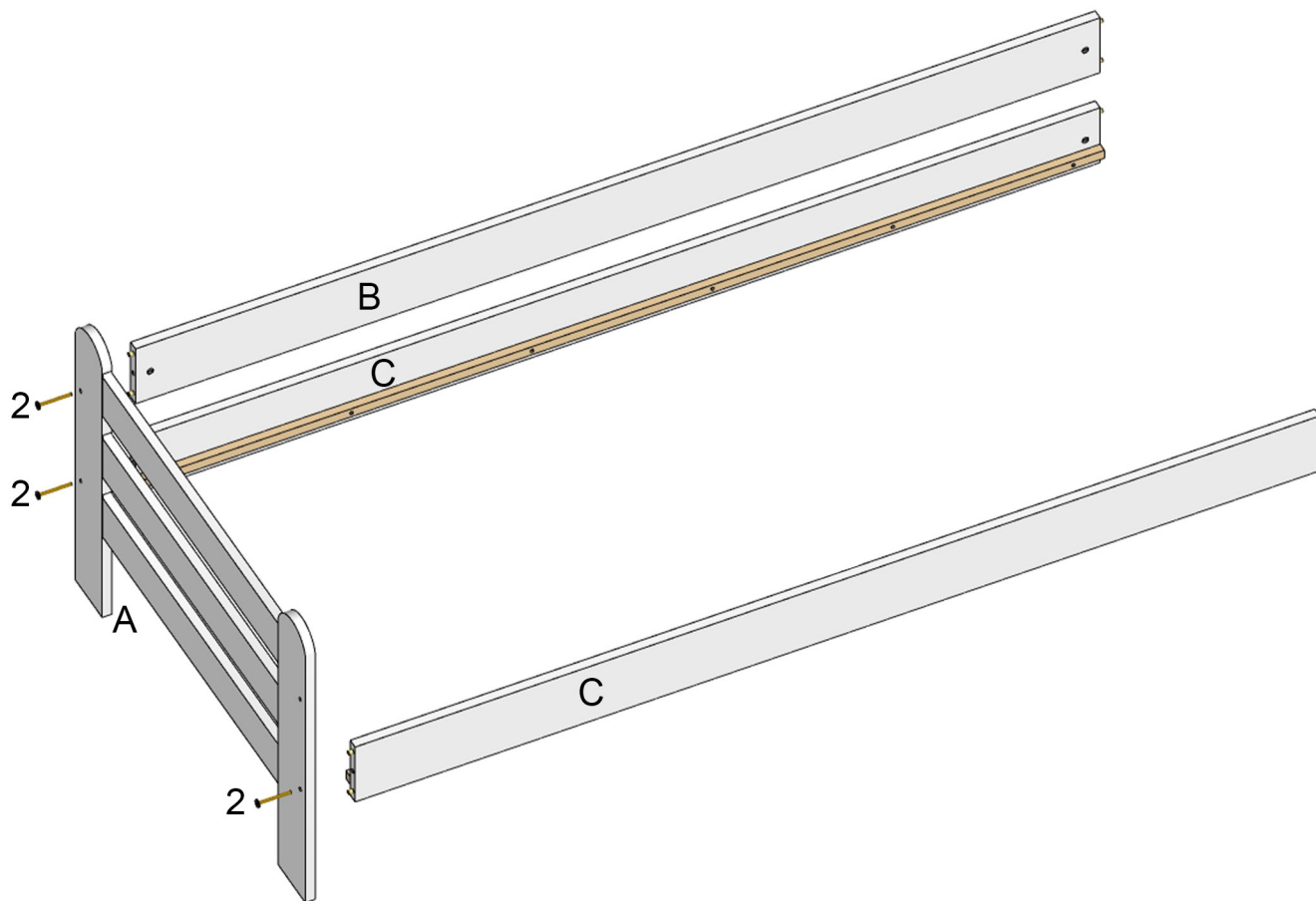
DRAWER



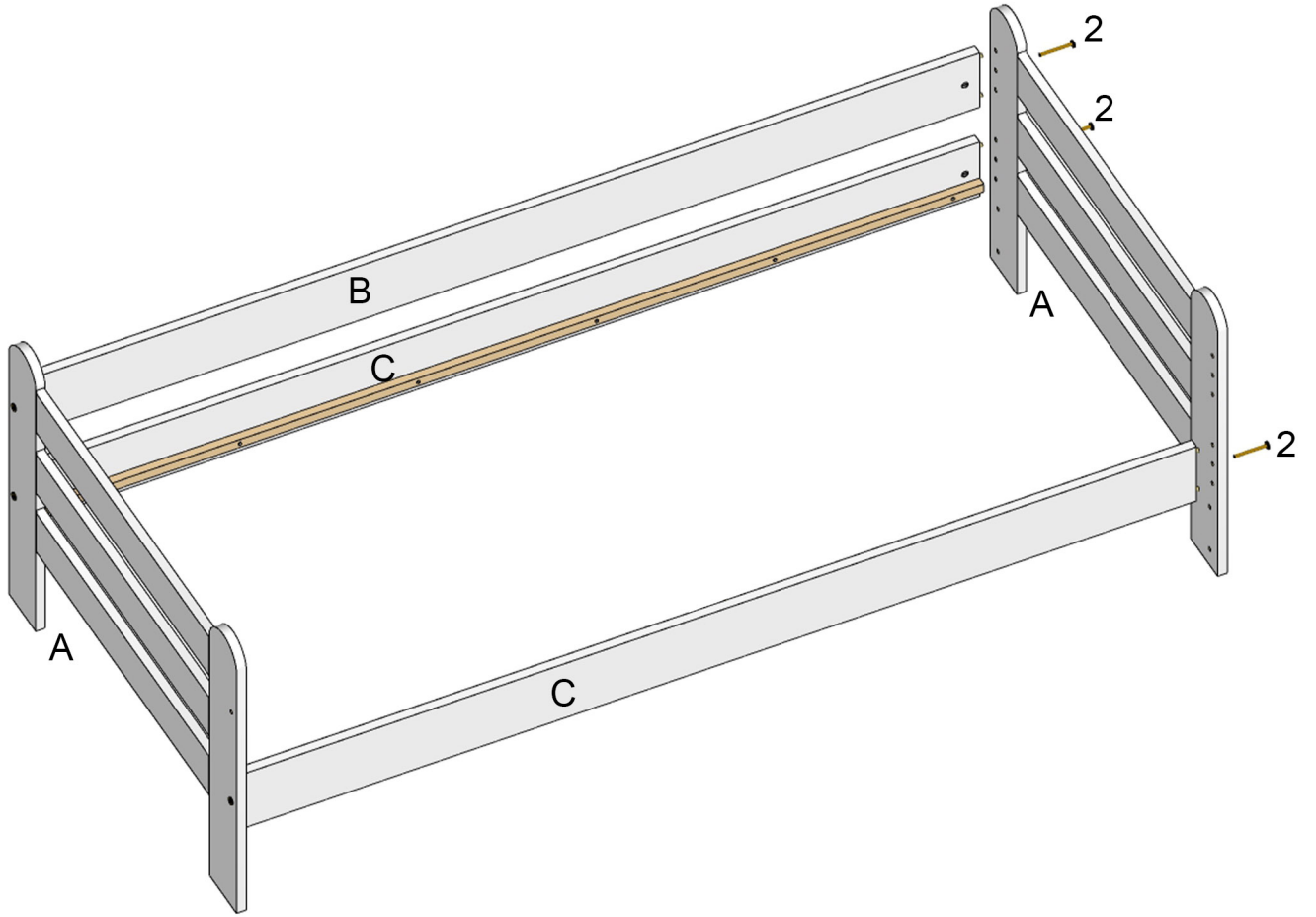
1



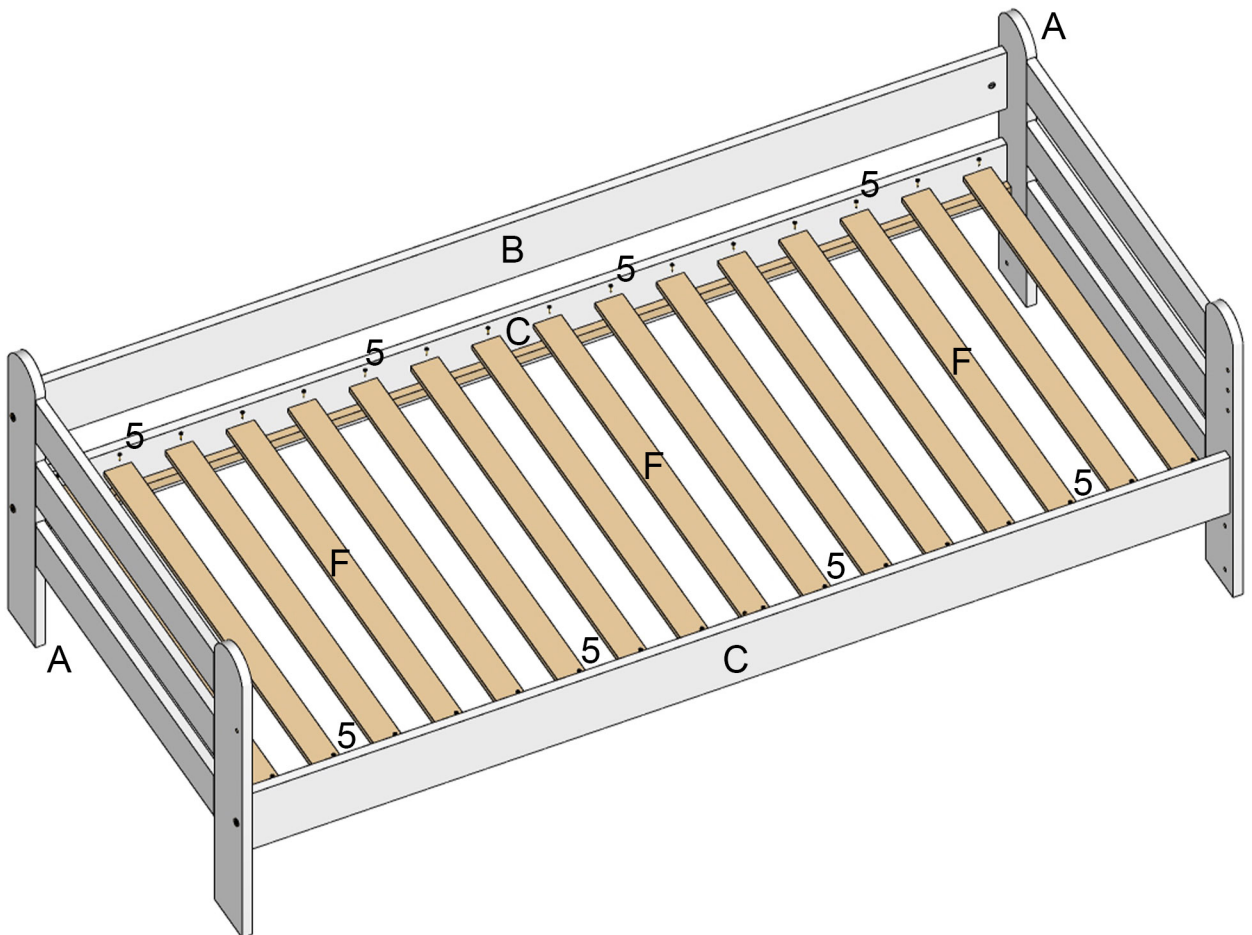
2



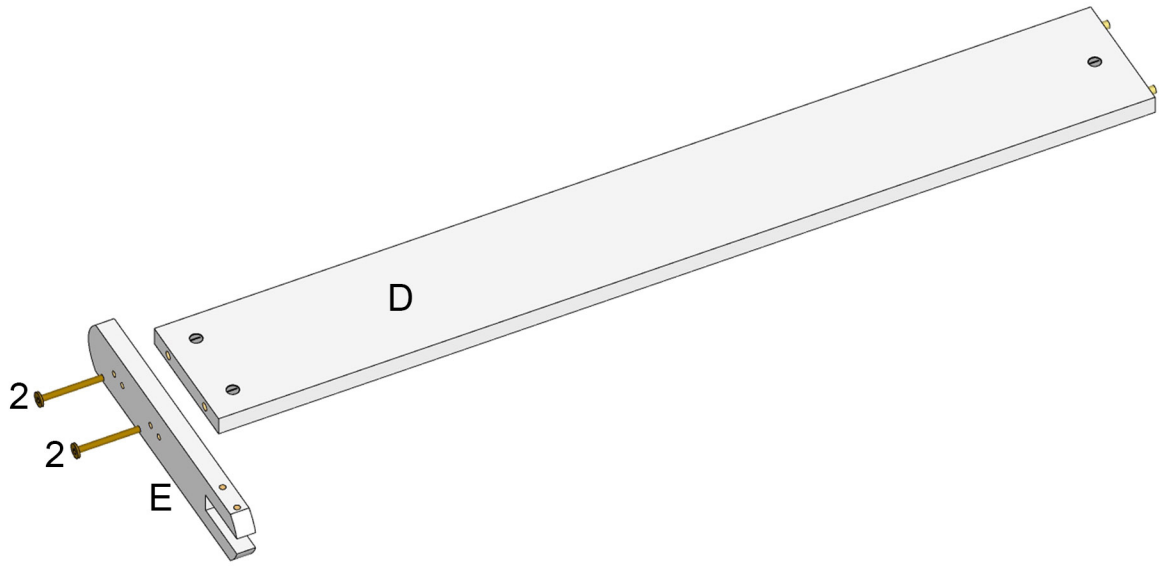
3



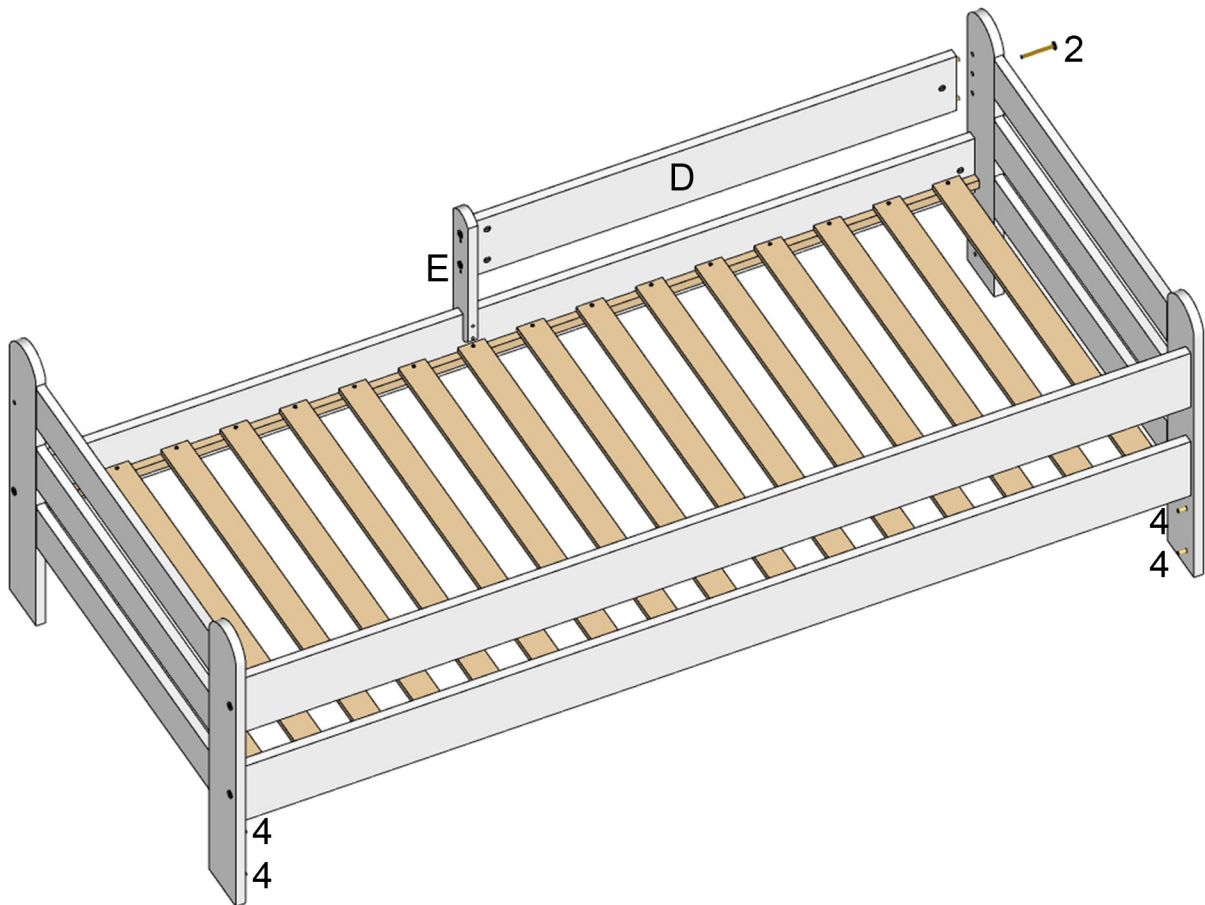
4



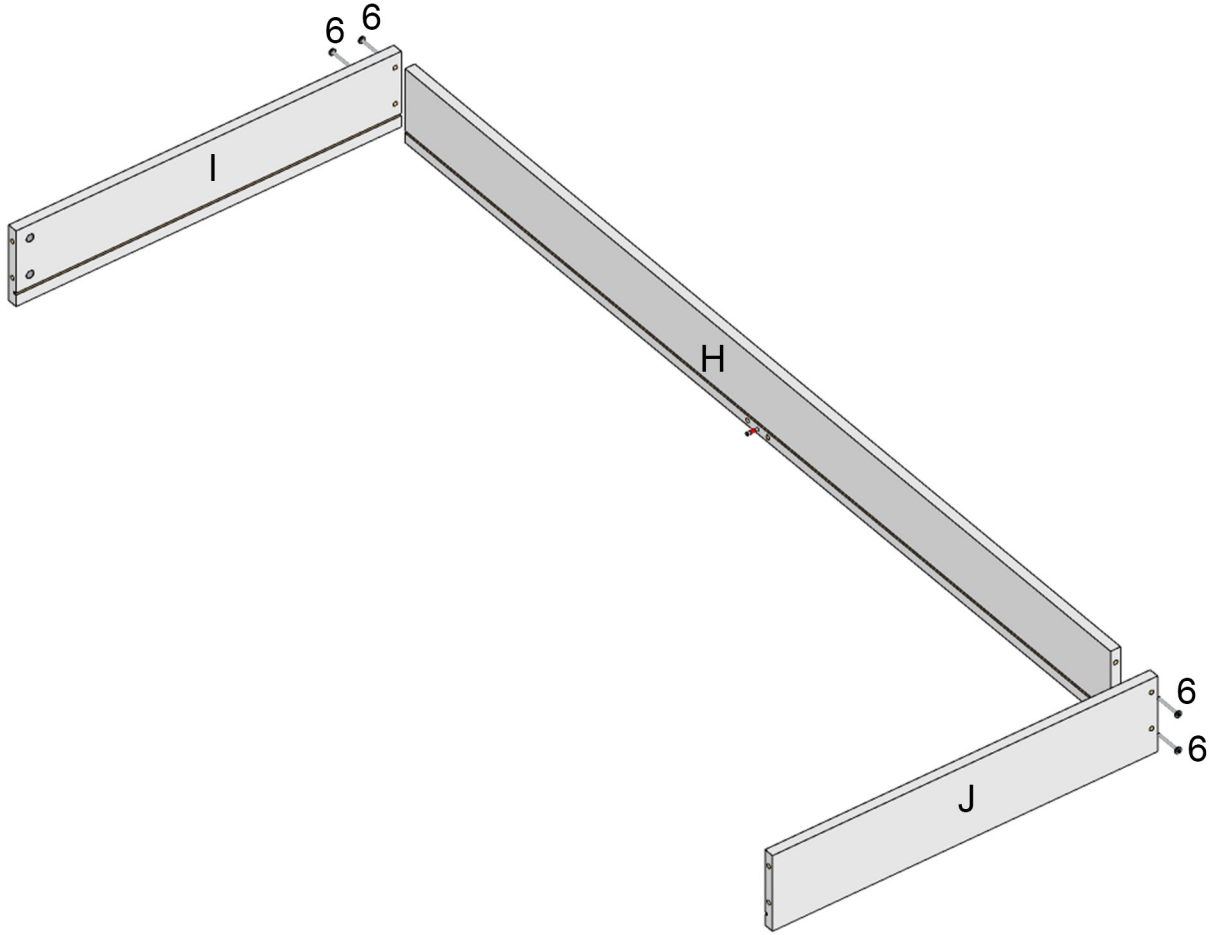
5



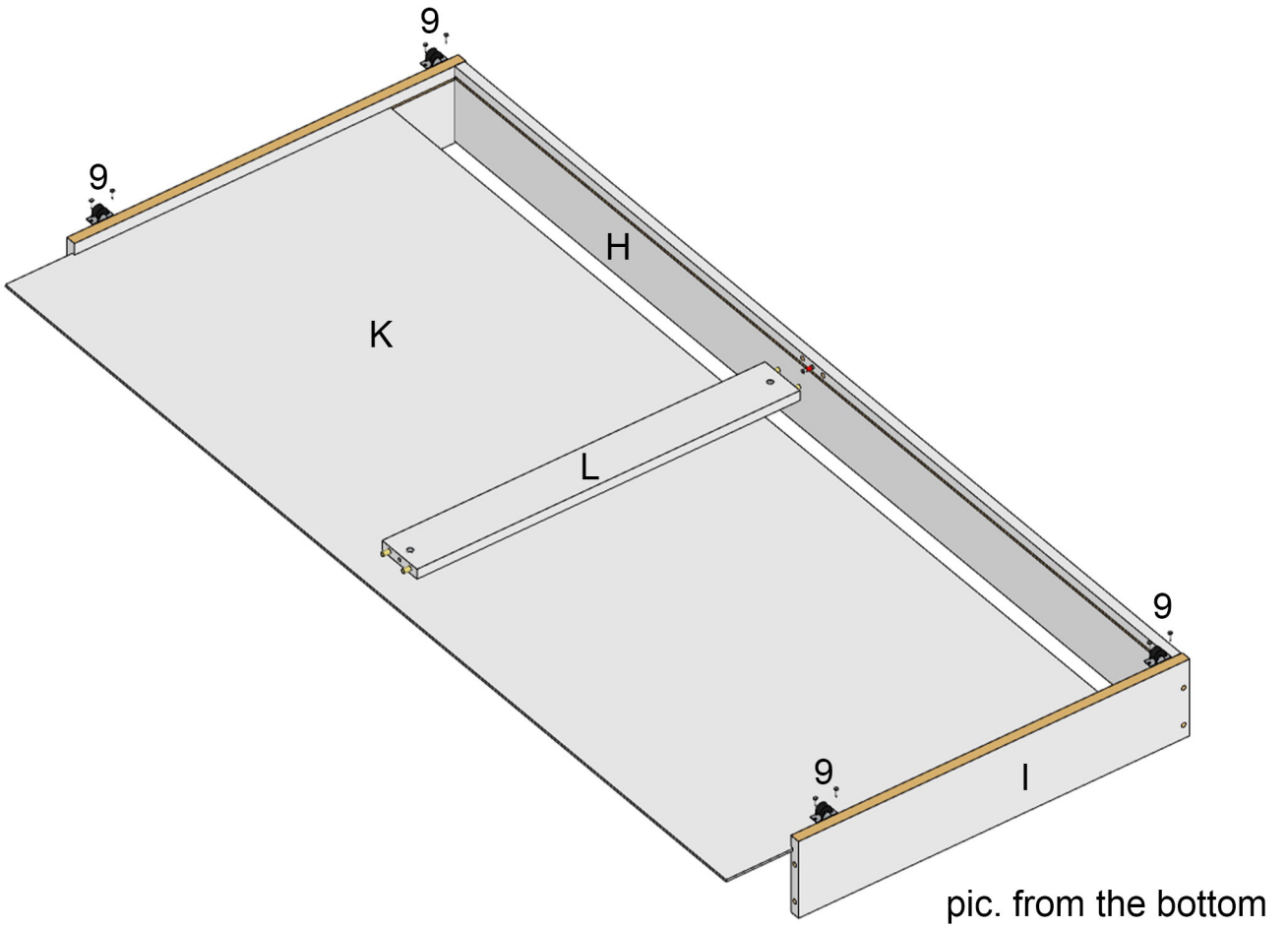
6



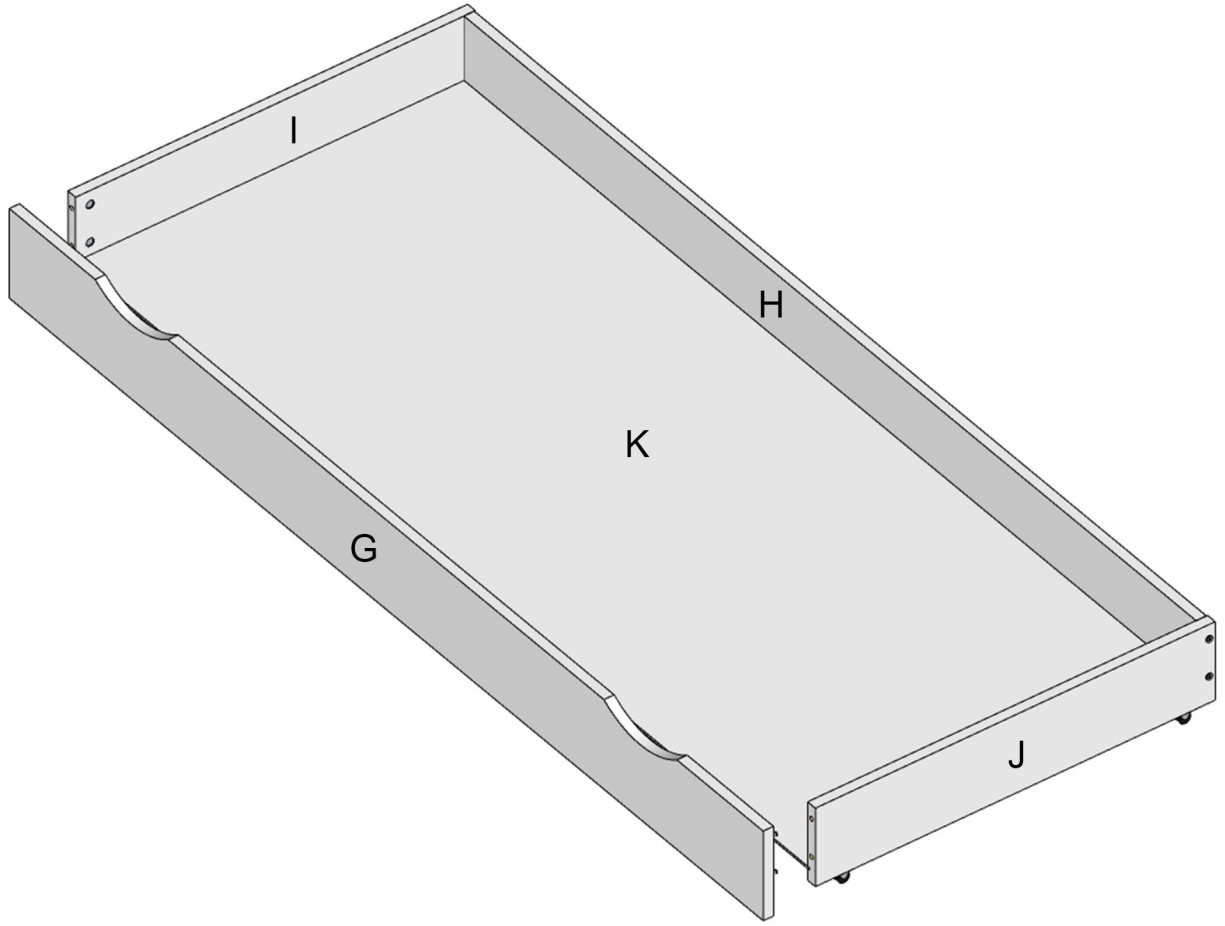
9



10



11



12

