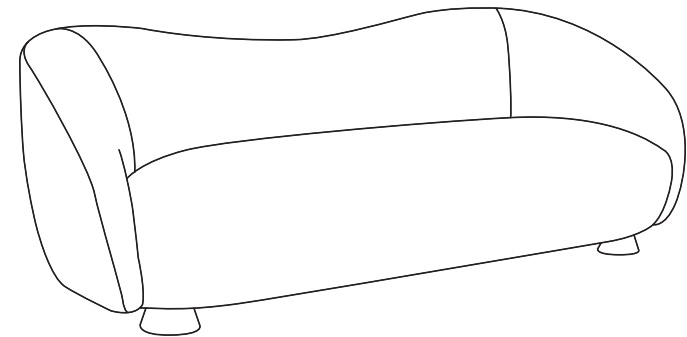


JOCELYNE VELVET SOFA

DESIGN #SFV7519

Assembly Instructions



Need help?

Feel free to contact us via email or call
if you have any specific questions!

contact us:

cs@safavieh.com

866-422-9070

SAFAVIEH
C O U T U R E

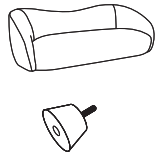
Thanks for bringing Safavieh Couture into your home

Every thing we make is incredibly simple to set up, including your new Sofa. You won't need any additional tools.

Parts List

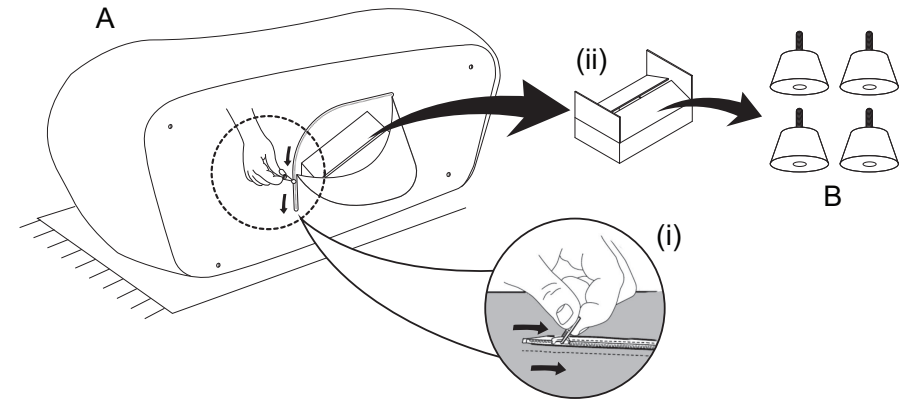
A x 1
SEAT

B x 4
LEGS



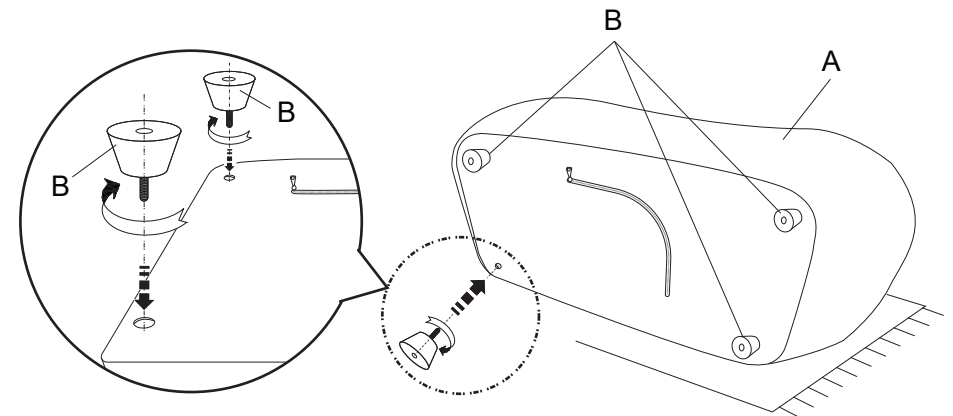
1

Place the Seat (A) on its side on a soft surface. Open the zipper on the bottom of the Seat (A) and remove the box with the Legs (B).



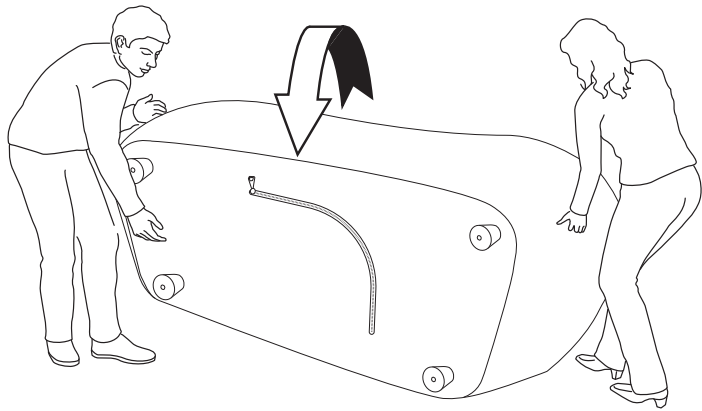
2

Attach the Legs (B) to the Seat (A) by screwing them in a clockwise direction until they are tight.



3

Turn the assembled sofa upright. This product may require periodic tightening.



4

Place the sofa in the place where you will use it. We'd love to see it – just tag us (we're @safavieh) and use the hashtag #safavieh on Instagram!

