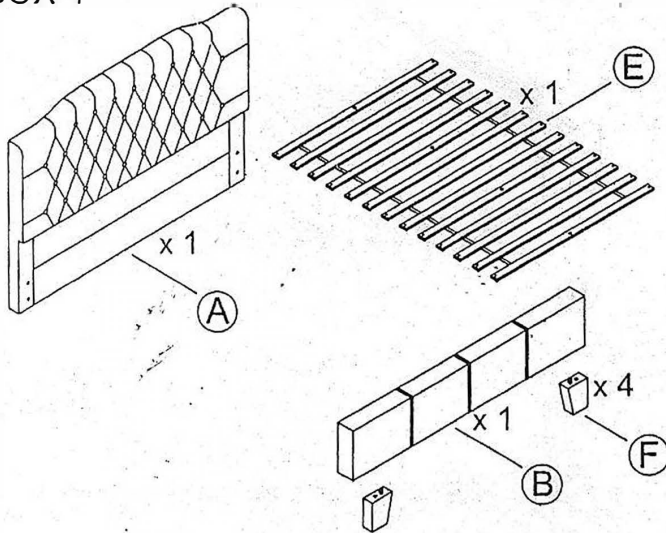
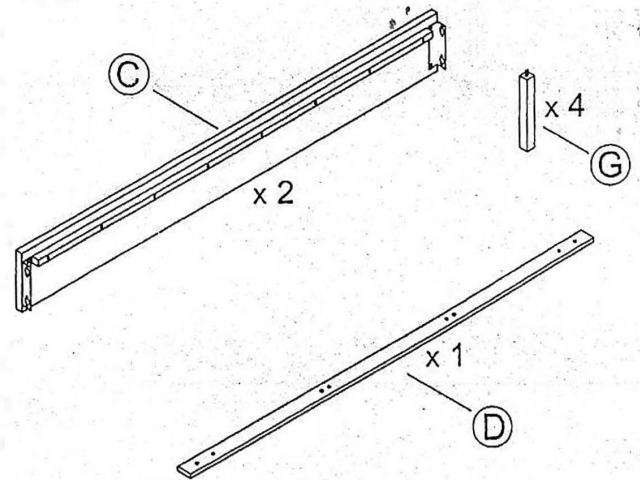


PARTS LIST








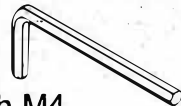
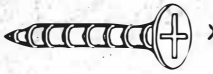
BOX-1

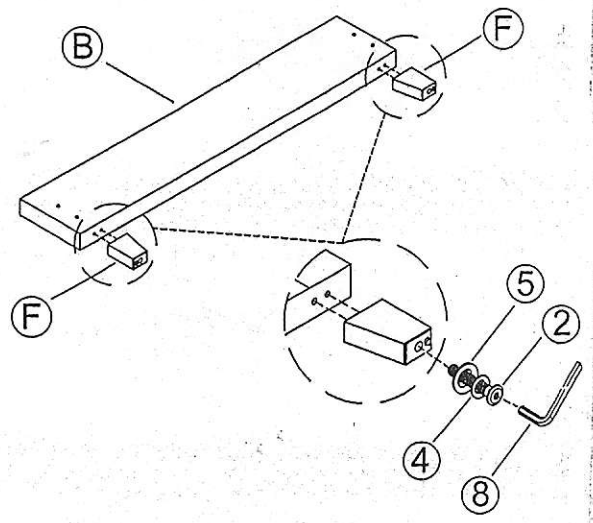
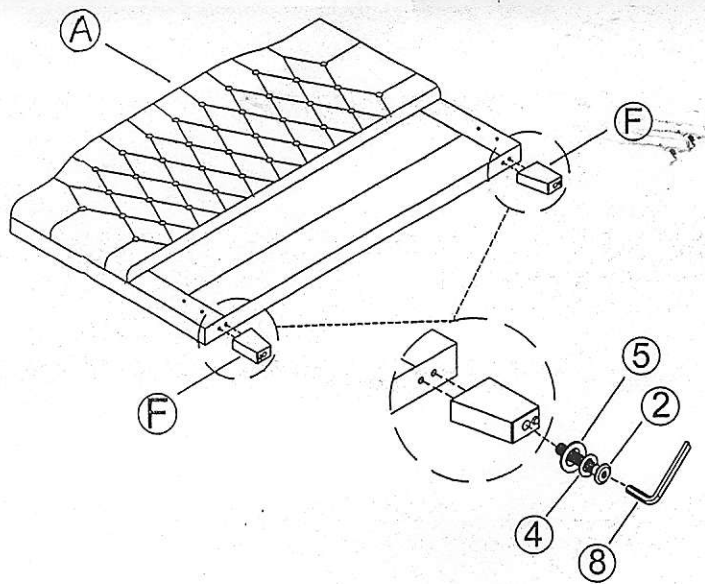


BOX-2

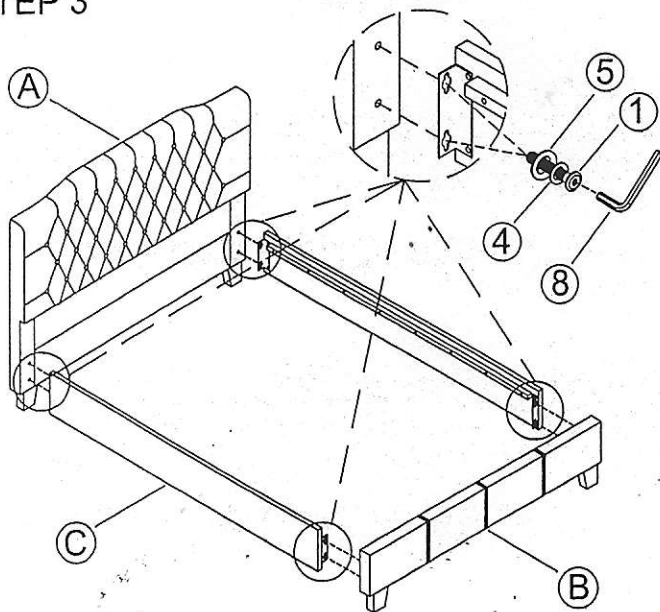


HARDWARE LIST

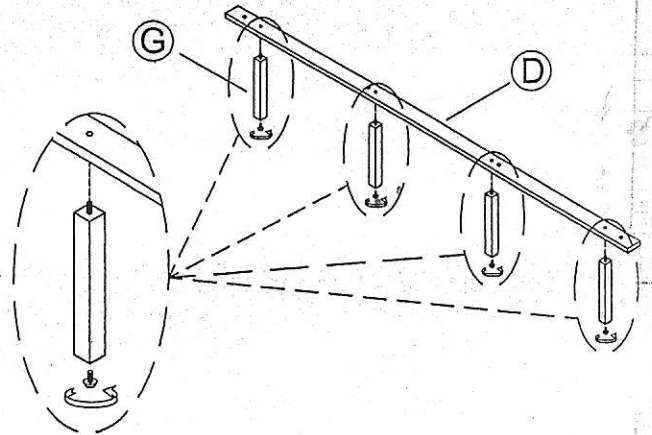
①	 x 8	②	 x 4	③	 x 4
	Bolt 5/16" x 1-1/4"		Bolt 5/16" x 2-3/4"		Bolt 1/4" x 1-1/8"
④	 x 12	⑤	 x 12	⑥	 x 4
	Lock Washer ϕ 5/16"		Flat Washer ϕ 5/16"		Lock Washer ϕ 1/4"
⑦	 x 4	⑧	 x 1	⑨	 x 26
	Flat Washer ϕ 1/4"		Allen Wrench M4		Screw #4 x 1-1/4"



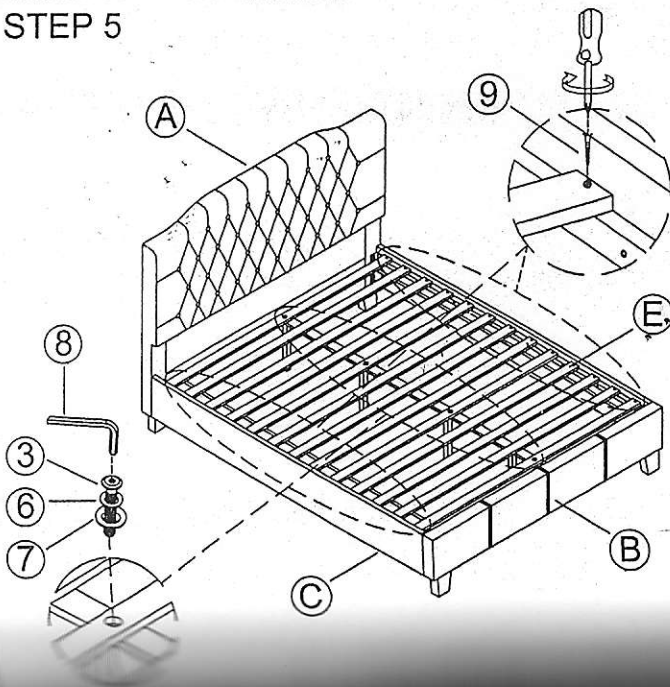
STEP 3



STEP 4



STEP 5



STEP 6

