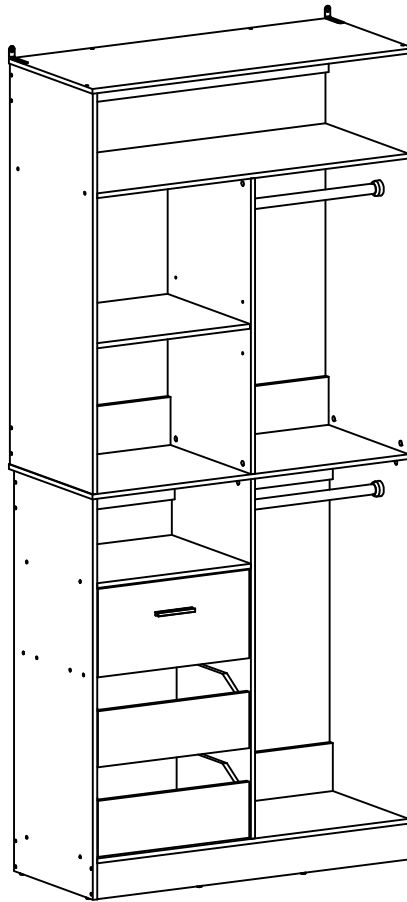


Short Closet Rods Closet with Open Drawers

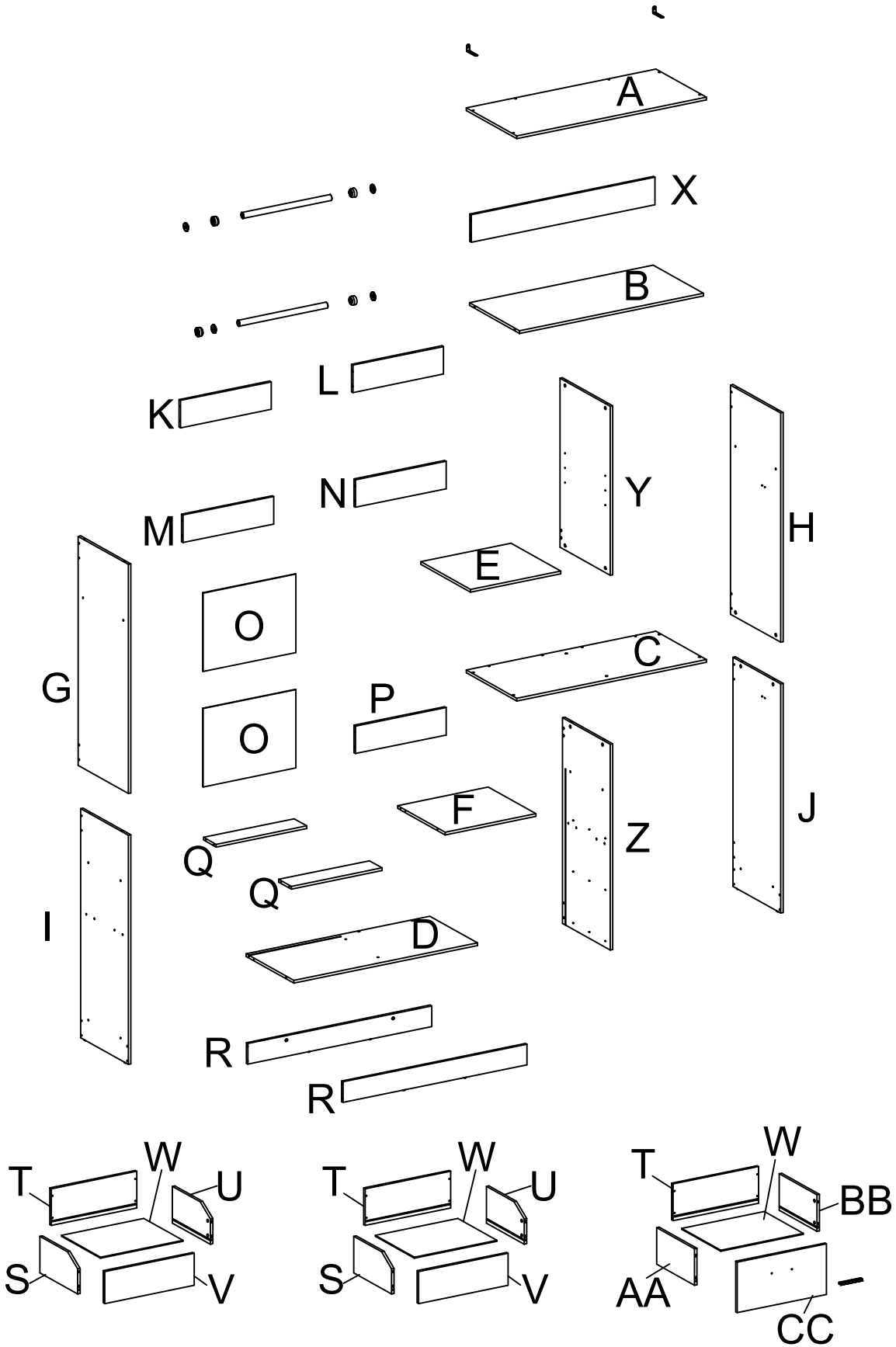
Assembly Instructions





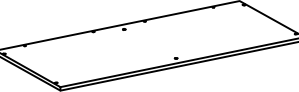
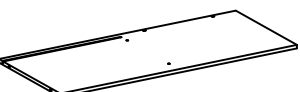
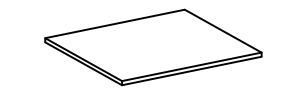
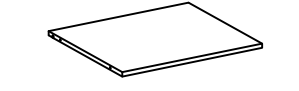
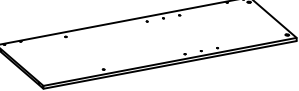
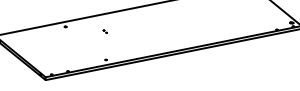
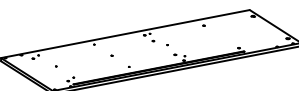



















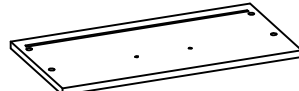
Attention: Please ensure you have all parts before commencing assembly.
Please read all the instructions before commencing.

Have problems when installing or missing parts?

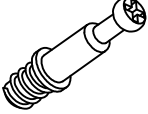

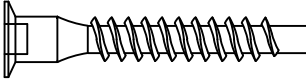



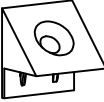

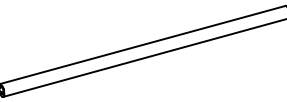



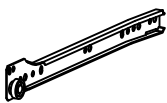
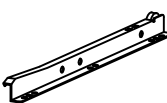
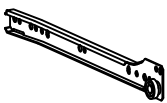
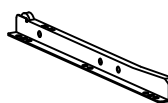

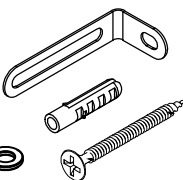

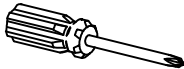

PART LIST



PART LIST

<p>A x 1pc</p> 	<p>B x 1pc</p> 	<p>C x 1pc</p> 	<p>D x 1pc</p> 
<p>E x 1pc</p> 	<p>F x 1pc</p> 	<p>G x 1pc</p> 	<p>H x 1pc</p> 
<p>I x 1pc</p> 	<p>J x 1pc</p> 	<p>K x 1pc</p> 	<p>L x 1pc</p> 
<p>M x 1pc</p> 	<p>N x 1pc</p> 	<p>O x 2pcs</p> 	<p>P x 1pc</p> 
<p>Q x 2pcs</p> 	<p>R x 2pcs</p> 	<p>S x 2pcs</p> 	<p>T x 3pcs</p> 
<p>U x 2pcs</p> 	<p>V x 2pcs</p> 	<p>W x 3pcs</p> 	<p>X x 1pc</p> 
<p>Y x 1pc</p> 	<p>Z x 1pc</p> 	<p>AA x 1pc</p> 	<p>BB x 1pc</p> 
<p>CC x 1pc</p> 			

HARDWARE LIST

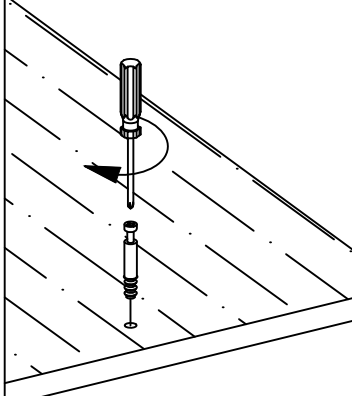
<p>①</p>  <p>M6x28 44 pcs</p>	<p>②</p>  <p>Ø12 44 pcs</p>	<p>③</p>  <p>M6x40 56 pcs</p>	<p>④</p>  <p>M4x15 2 pcs</p>
<p>⑤</p>  <p>Ø7x19 4 pcs</p>	<p>⑥</p>  <p>M3x12 48 pcs</p>	<p>⑦</p>  <p>12 pcs</p>	<p>⑧</p>  <p>M4x12 8 pcs</p>
<p>⑨</p>  <p>Ø25x422 2 pcs</p>	<p>⑩</p>  <p>4 pcs</p>	<p>⑪</p>  <p>4 pcs</p>	<p>⑫</p>  <p>1 pc</p>
<p>⑬</p>  <p>300L 3 pcs</p>	<p>⑭</p>  <p>300L 3 pcs</p>	<p>⑮</p>  <p>300L 3 pcs</p>	<p>⑯</p>  <p>300L 3 pcs</p>
<p>⑰</p>  <p>M4x30 12 pcs</p>	<p>⑱</p>  <p>M4x40 2 pcs</p>	<p>⑲</p>  <p>434L 1 pc</p>	<p>⑳</p>  <p>1 pc</p>
<p>㉑</p>  <p>M4 1 pc</p>			

Please count and verify all parts before assembly.

How to install Camlocks

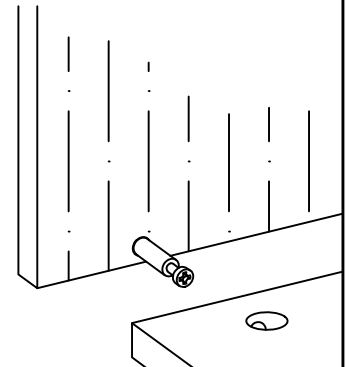
Connect the male camlock as directed in the assembly instructions with a screwdriver.

1 DO NOT OVER TIGHTEN



Put the male camlock into the entry hole.

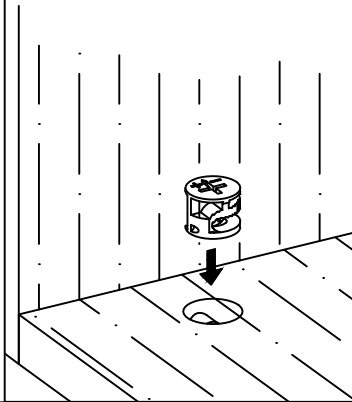
2



Insert the female camlock as shown in the instruction.

Note: ensure that the arrow on the top of the camlock points toward the entry hole for the male camlock.

3

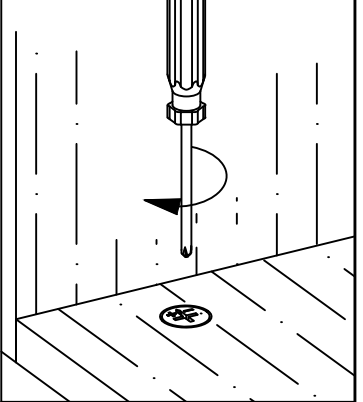


Screw the female camlock clockwise with a screwdriver.

You will feel a click when the camlock is locked in place.

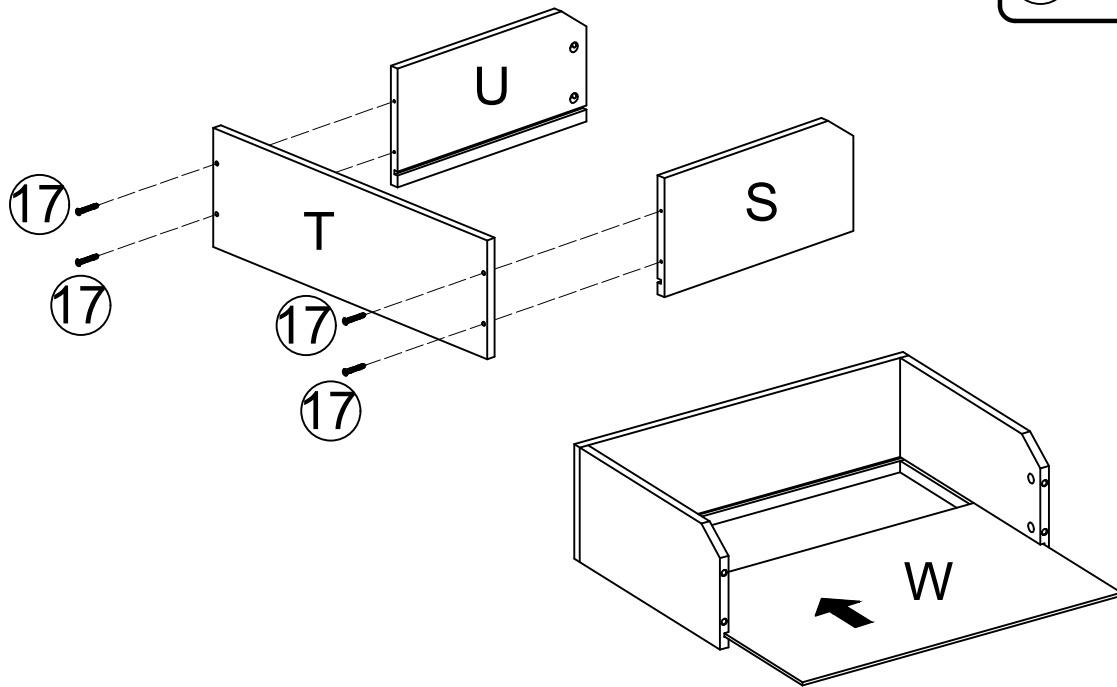
The camlock is now completed.

4



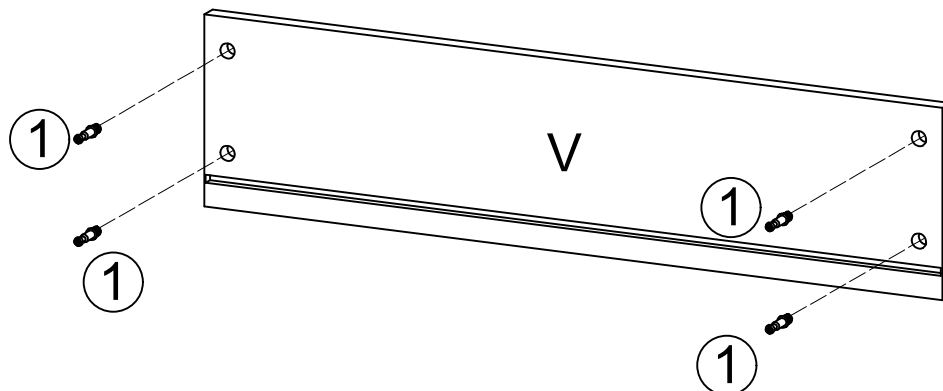
STEP 1

17  x4




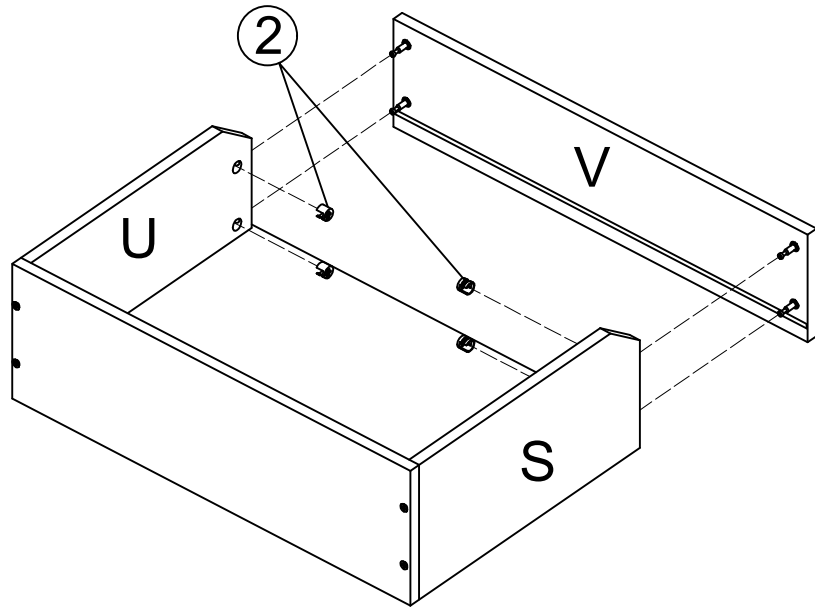
STEP 2

1  x4






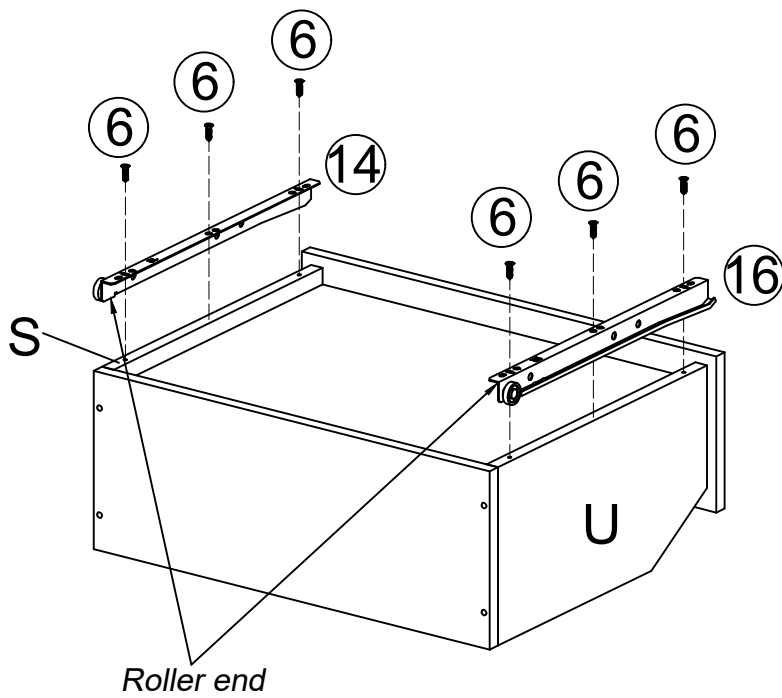
STEP 3

2  x4

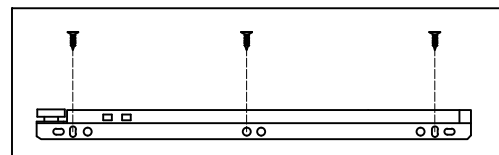


STEP 4

6  x6
14  x1
16  x1

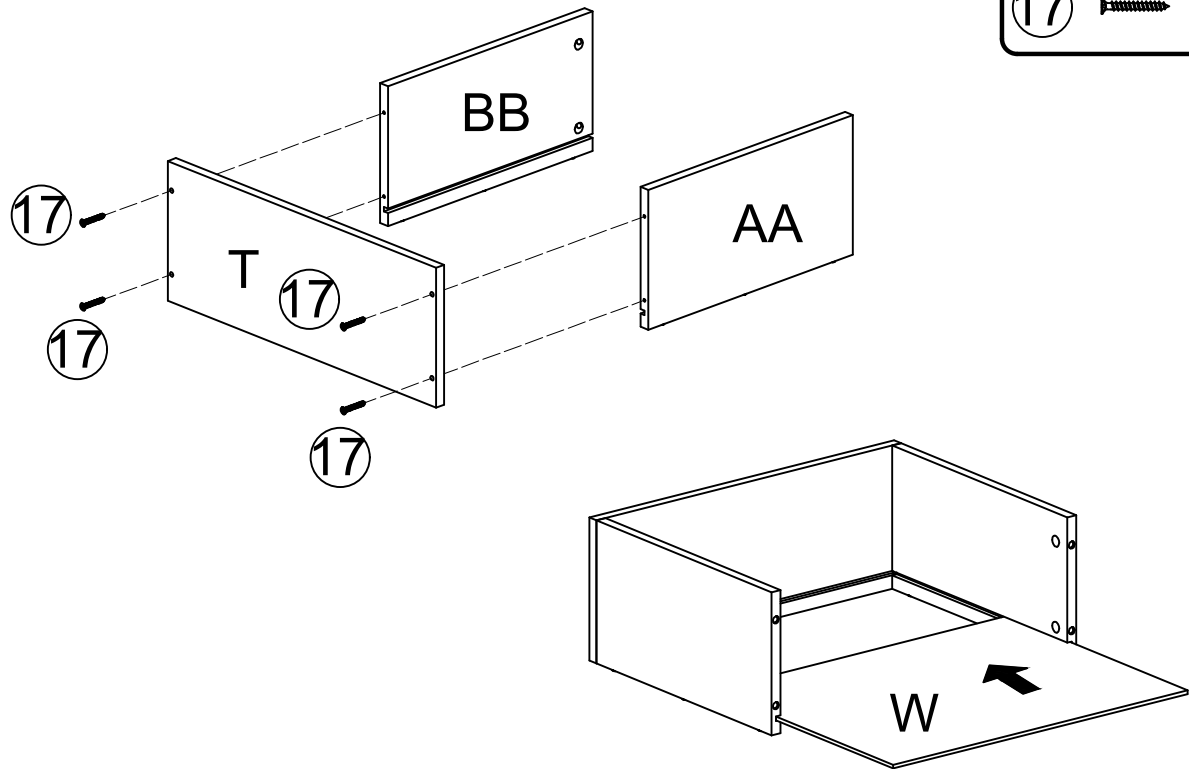


NOTICE: The installation of all two no-handle drawers is based on the above four steps.



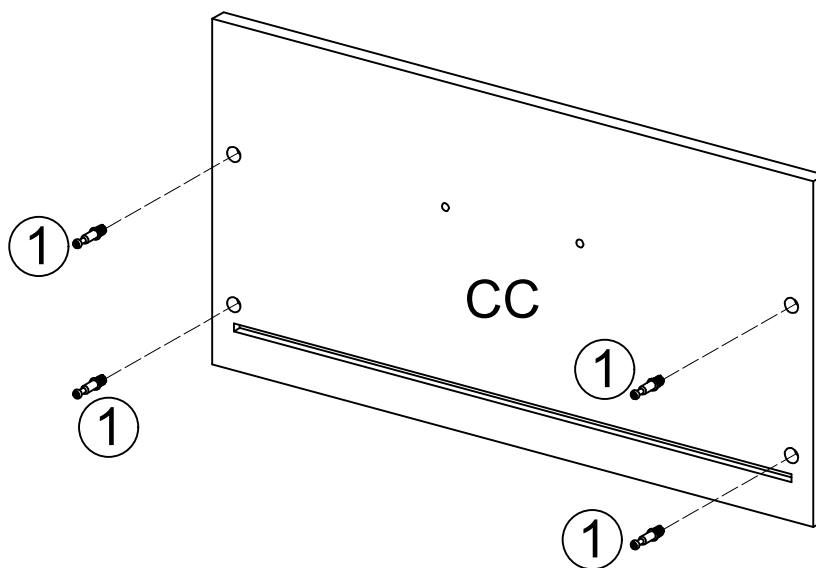
STEP 5

17  x4

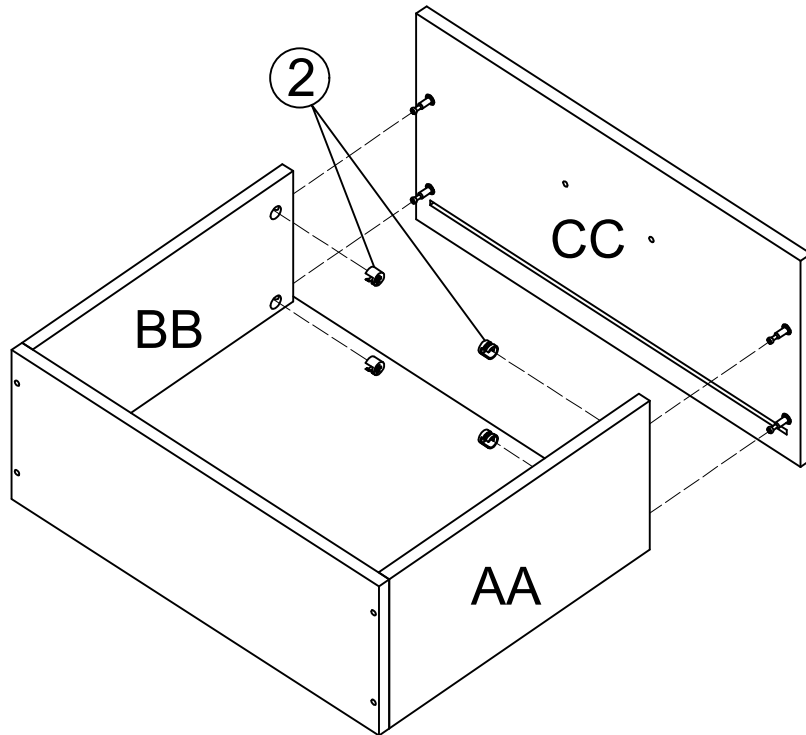
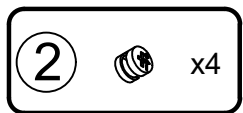


STEP 6

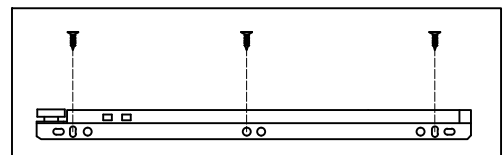
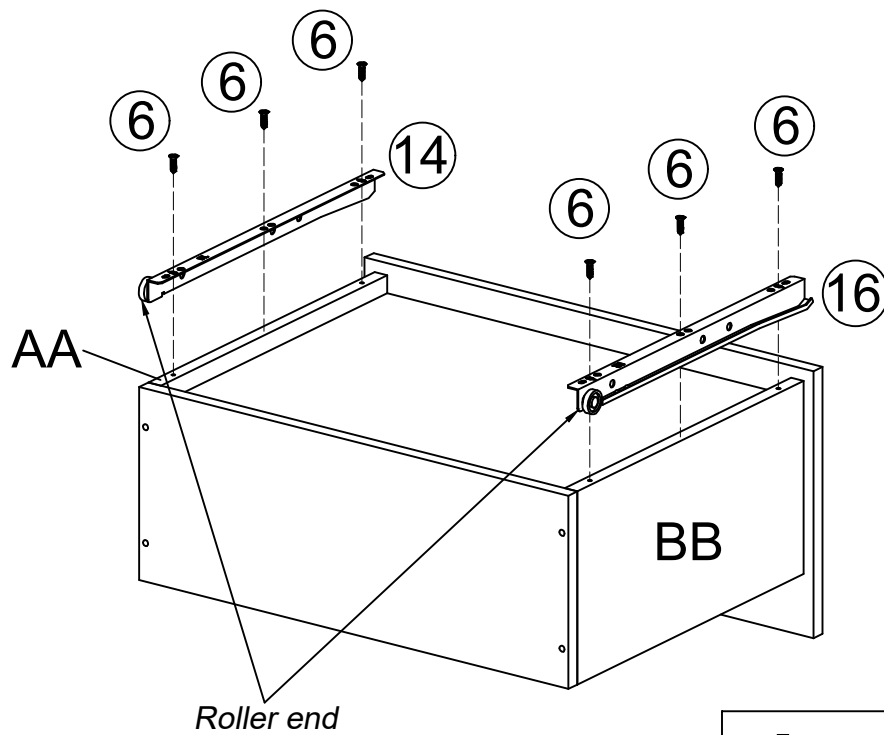
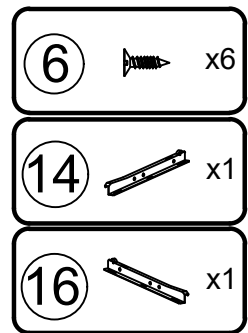
1  x4



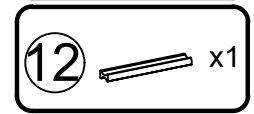
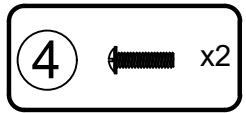
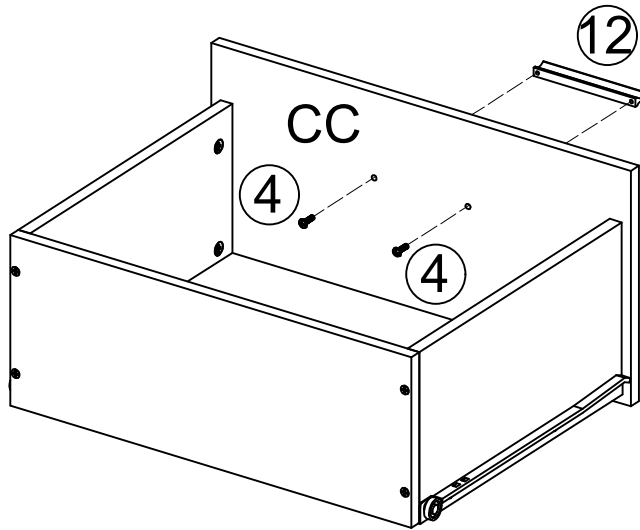
STEP 7



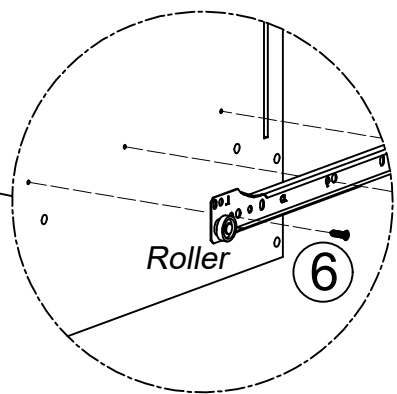
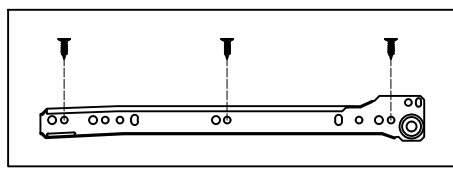
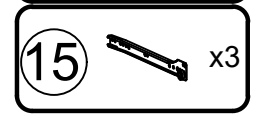
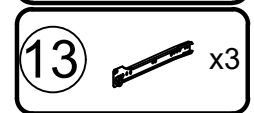
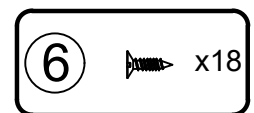
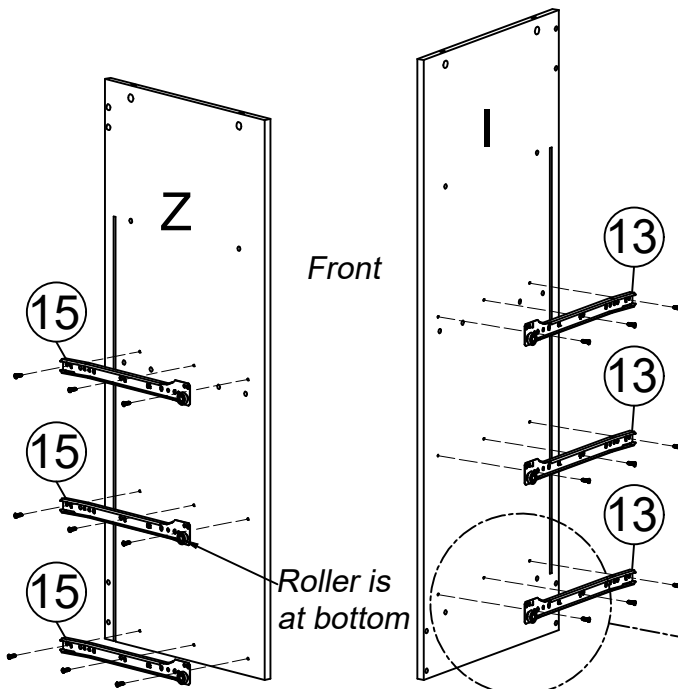
STEP 8



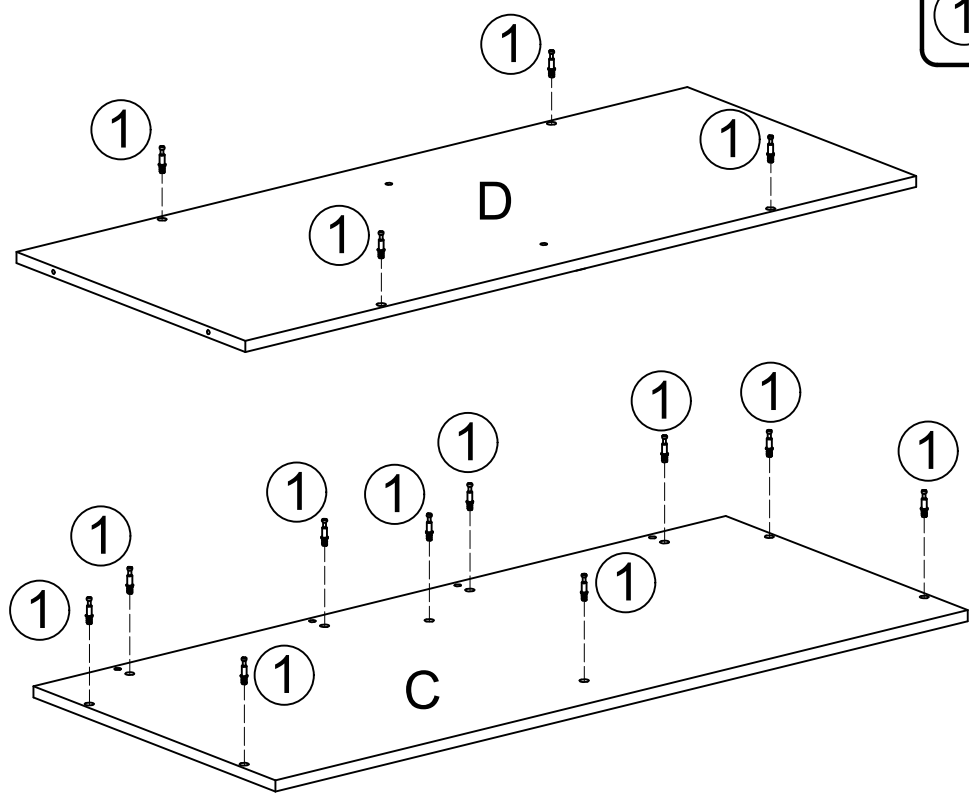
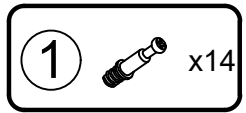
STEP 9



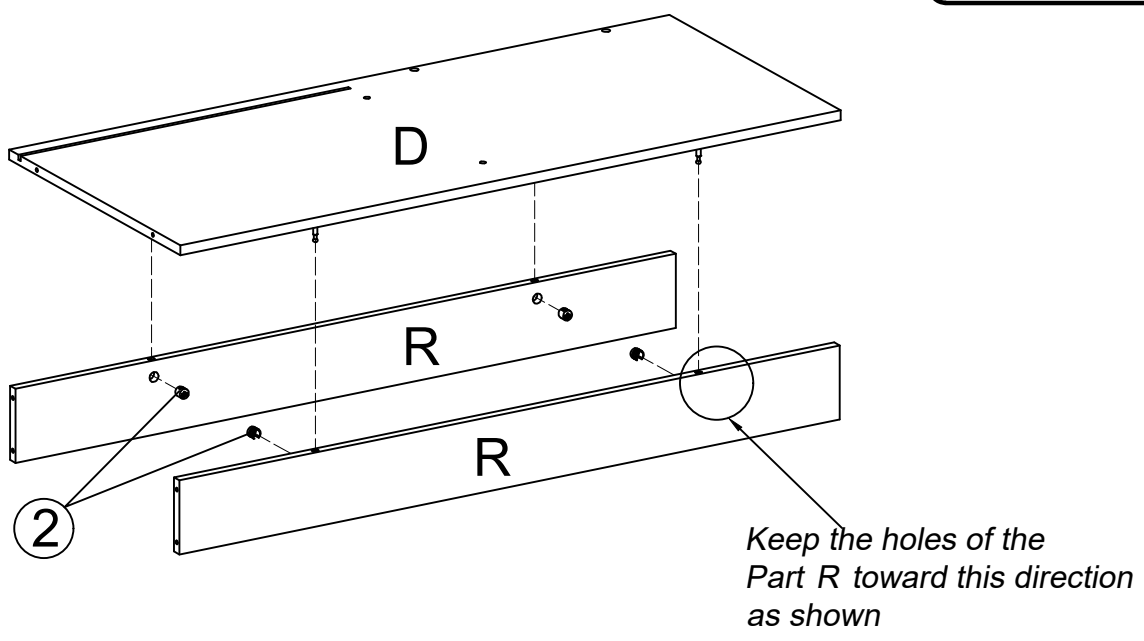
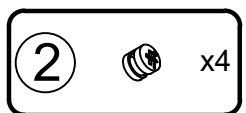
STEP 10



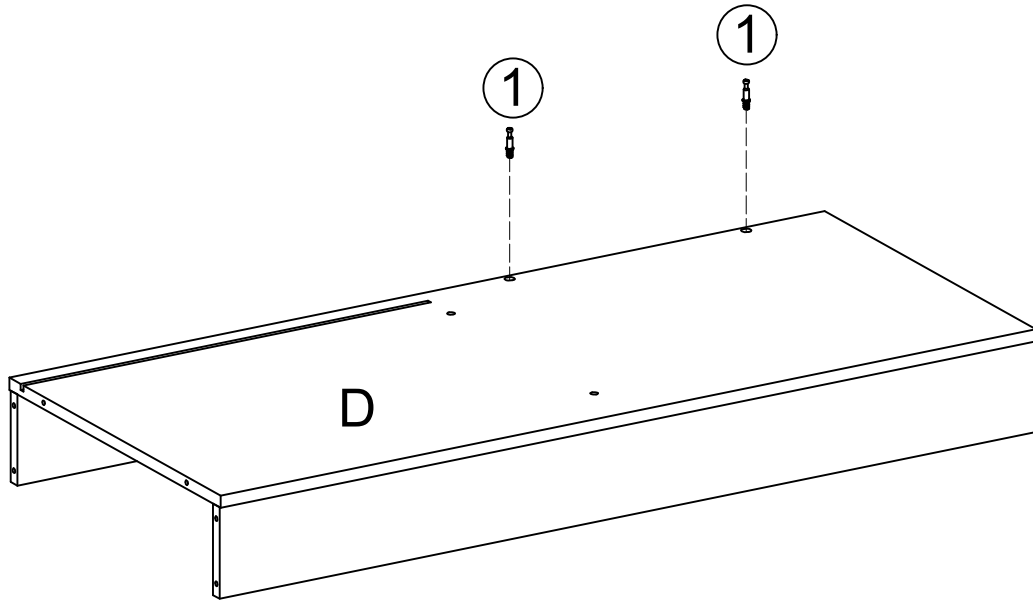
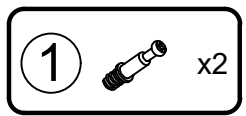
STEP 11



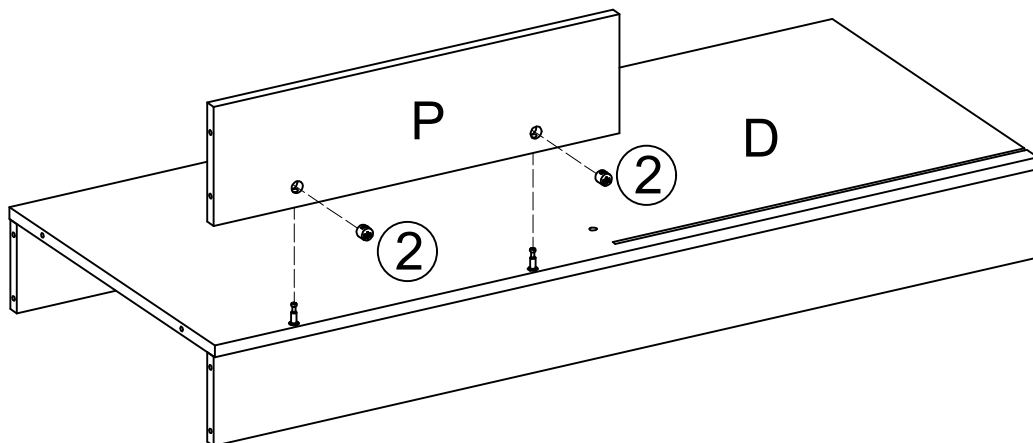
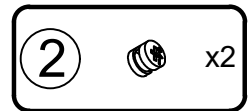
STEP 12



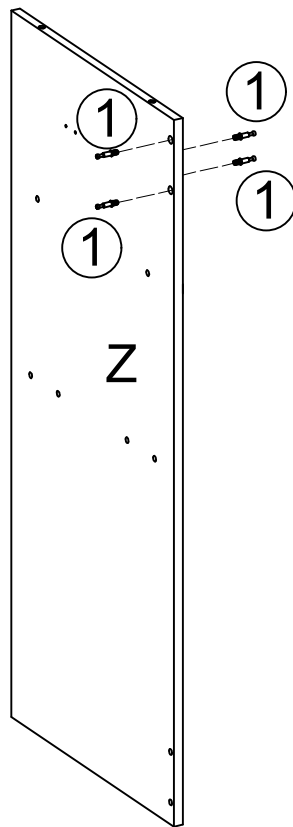
STEP 13



STEP 14

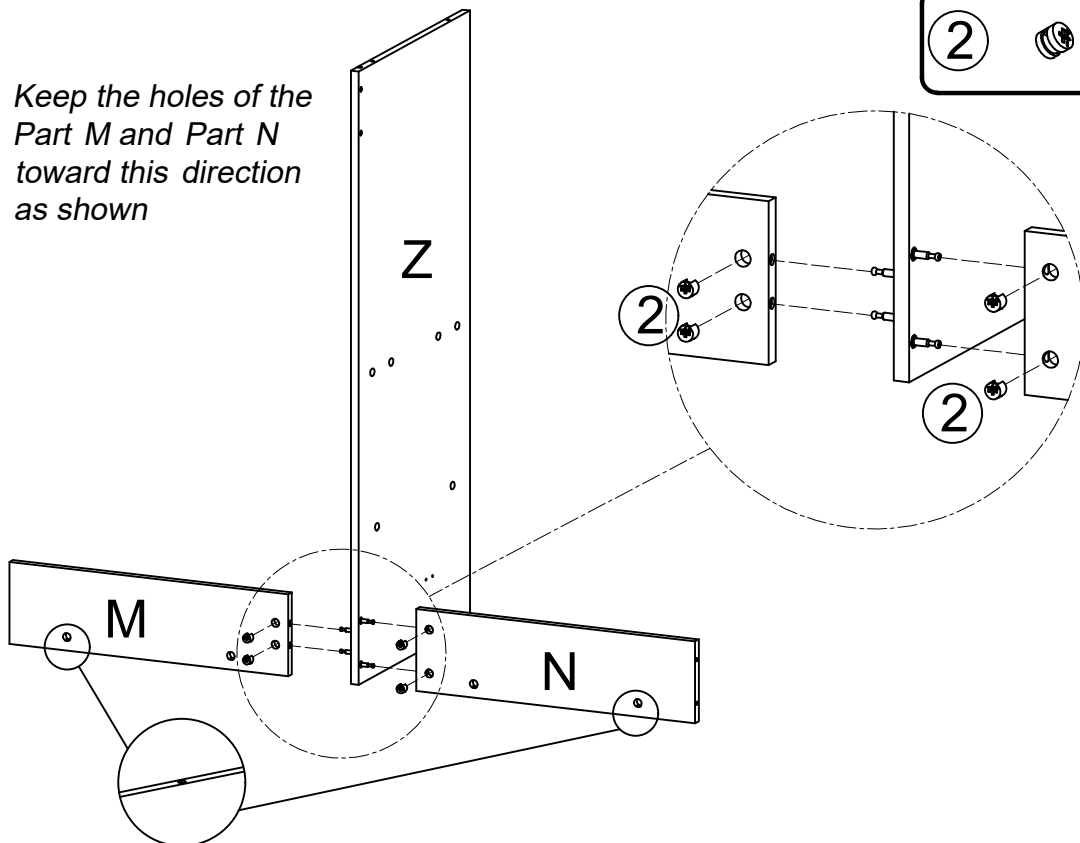


STEP 15

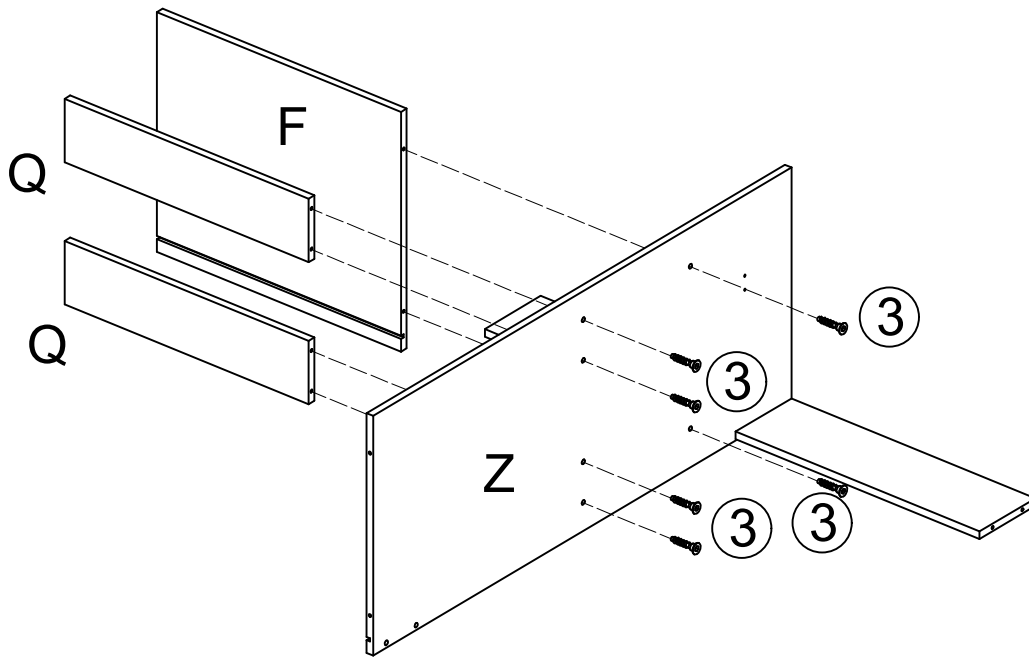
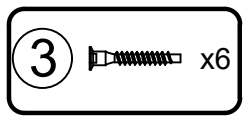


STEP 16

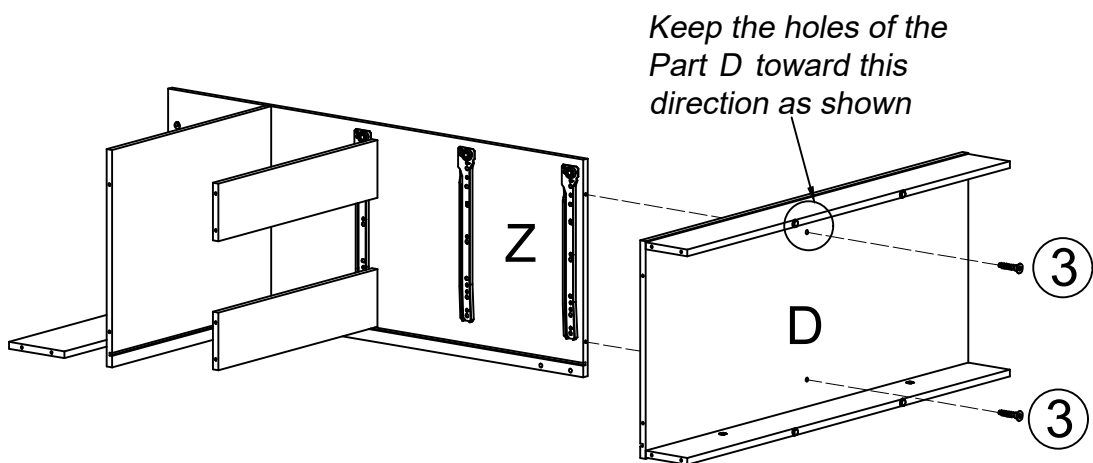
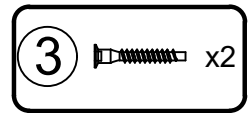
Keep the holes of the
Part M and Part N
toward this direction
as shown



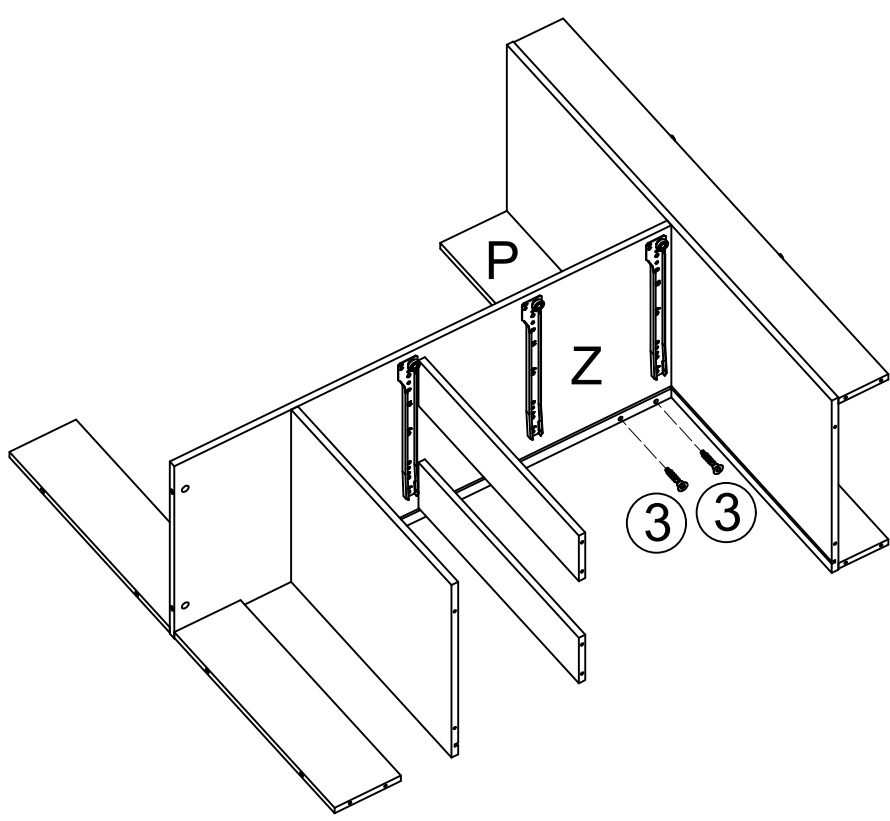
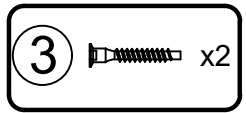
STEP 17



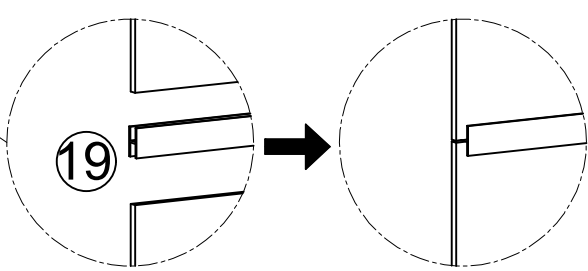
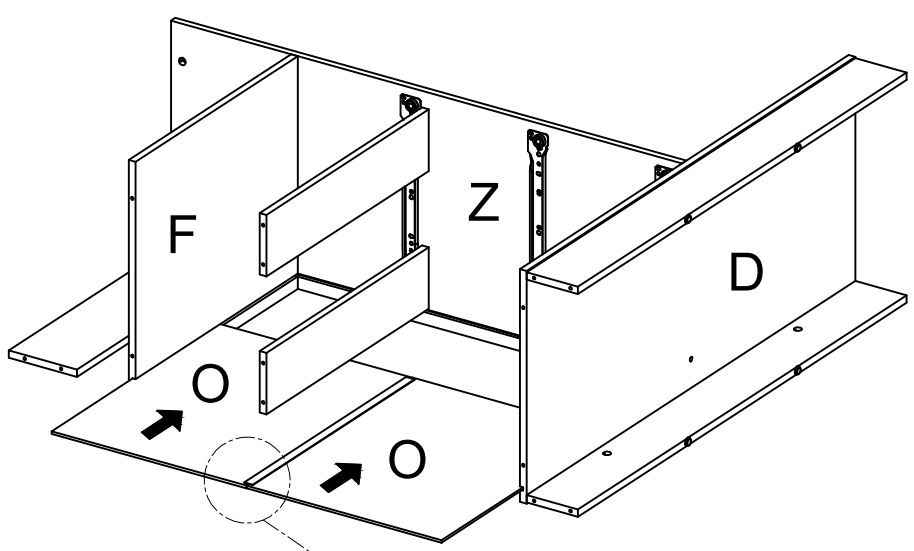
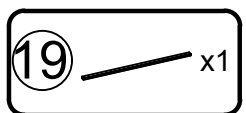
STEP 18



STEP 19

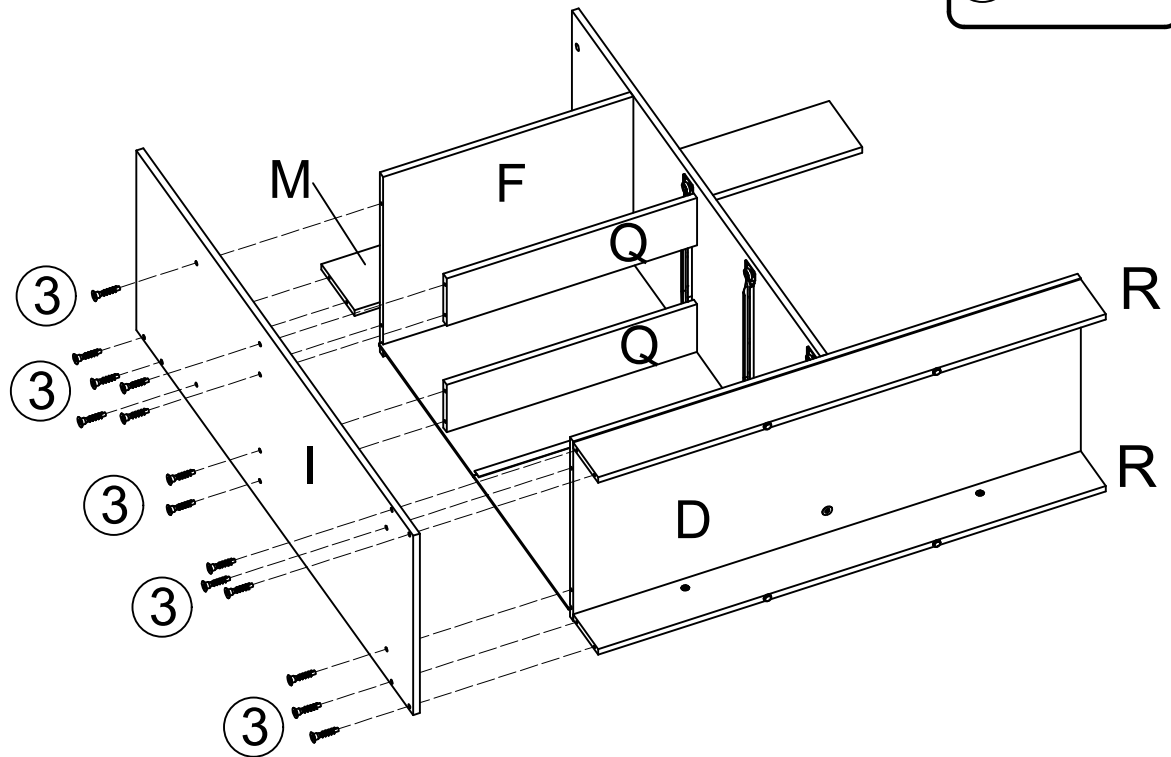


STEP 20



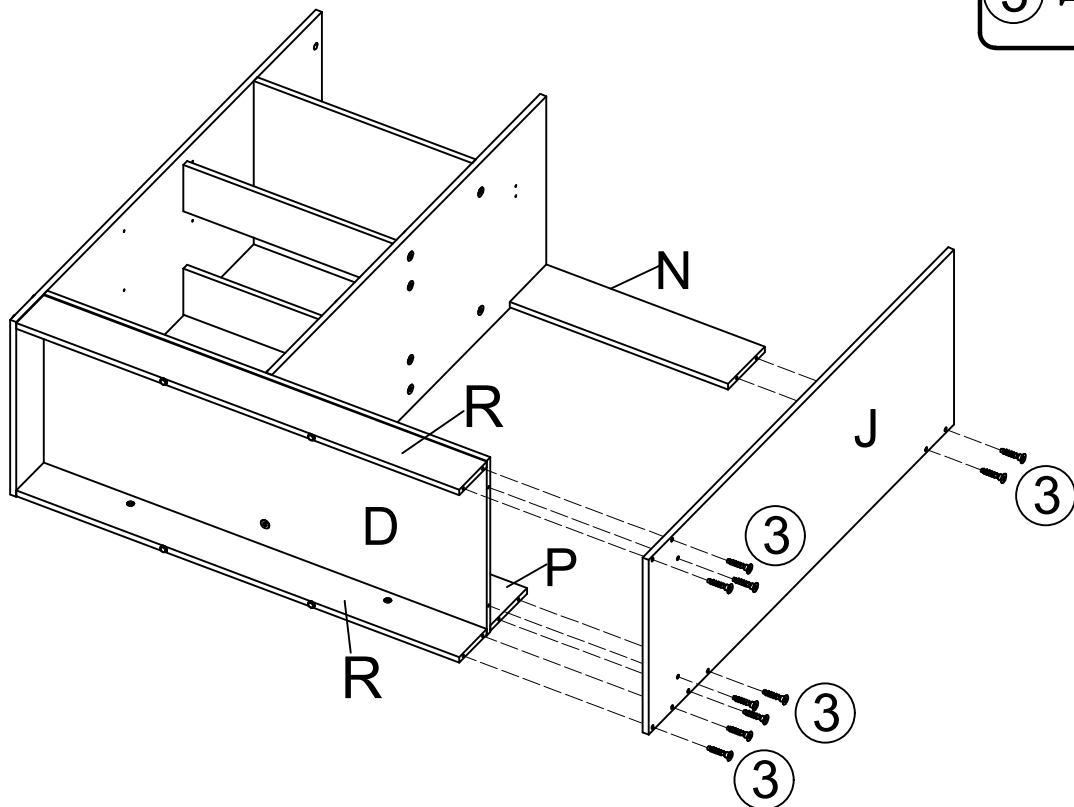
STEP 21

③  x14




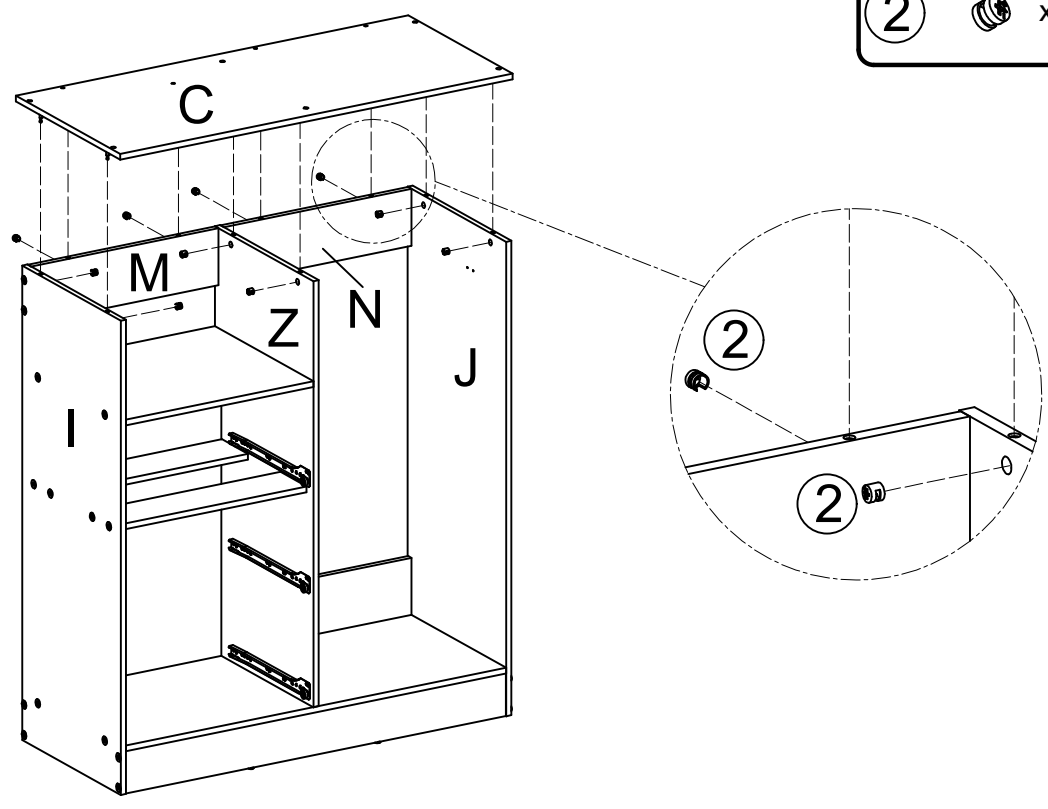
STEP 22

③  x10




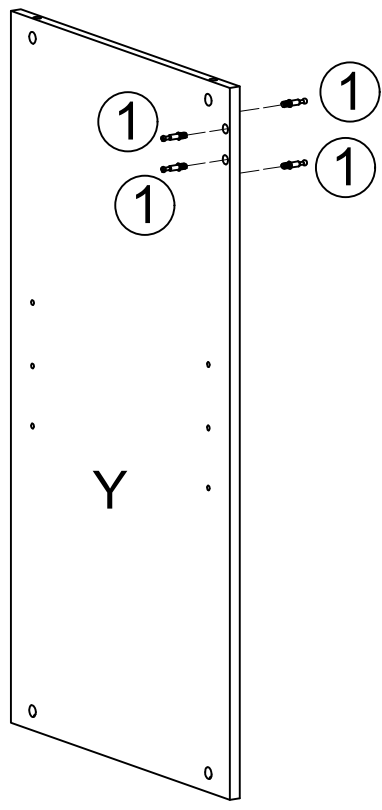
STEP 23

2  x10

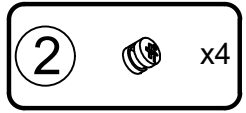


STEP 24

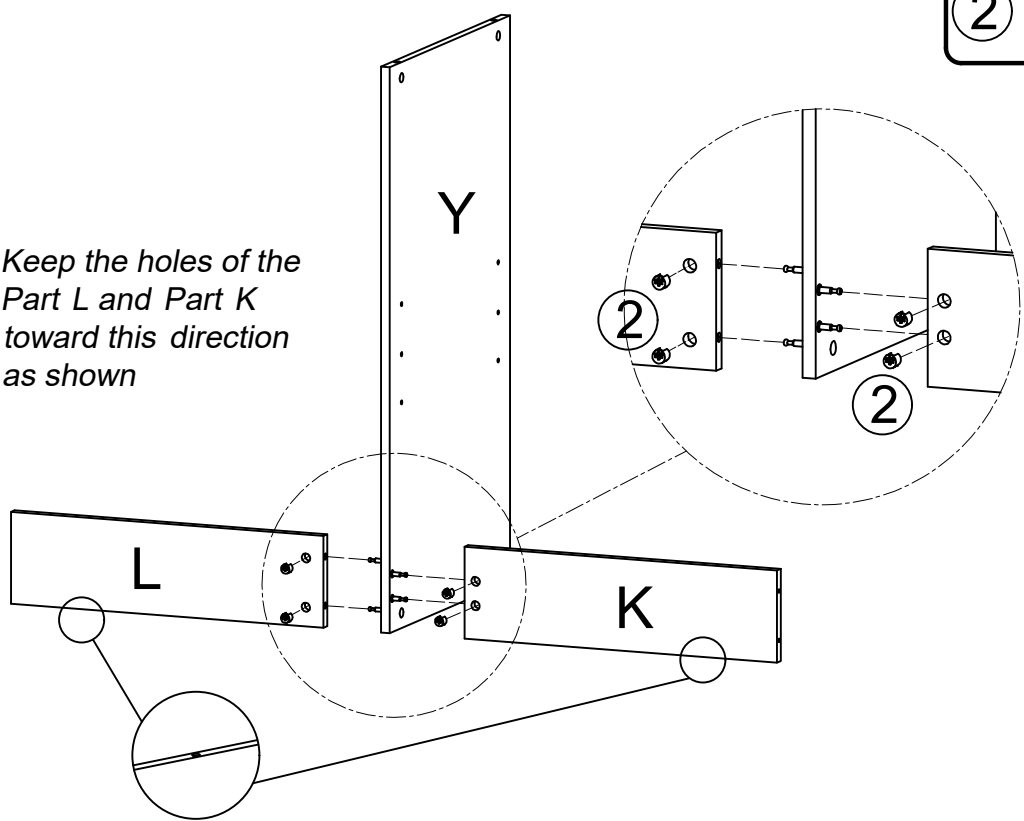
1  x4



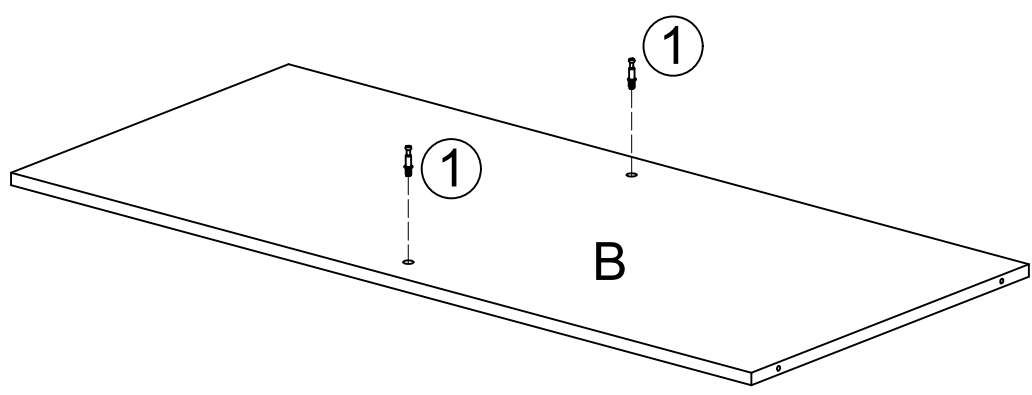
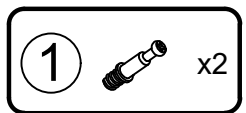
STEP 25



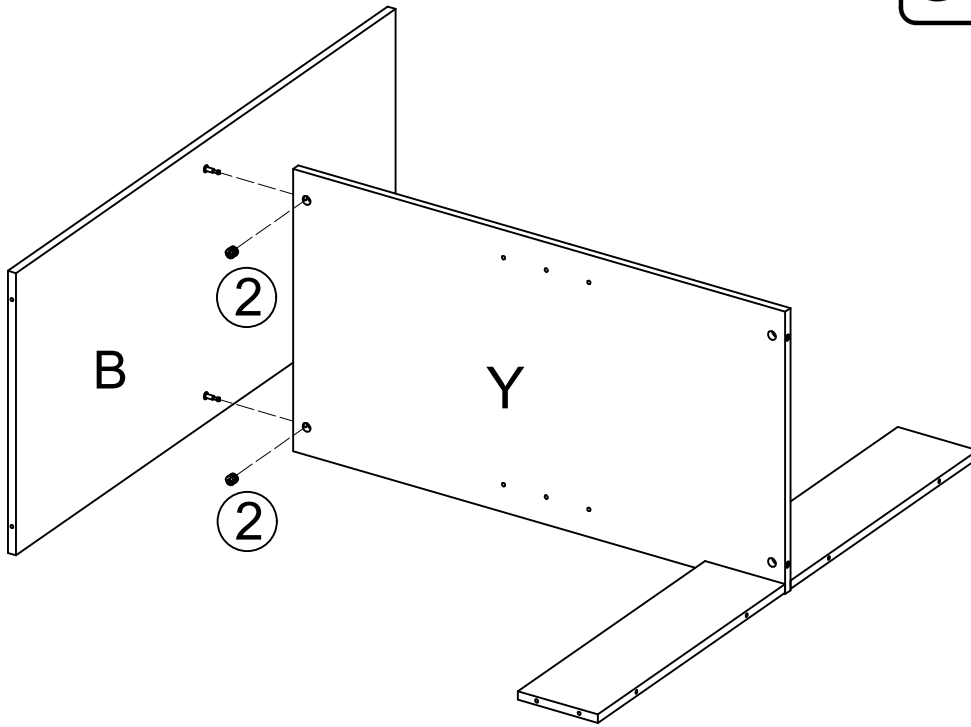
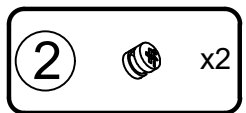
Keep the holes of the Part L and Part K toward this direction as shown



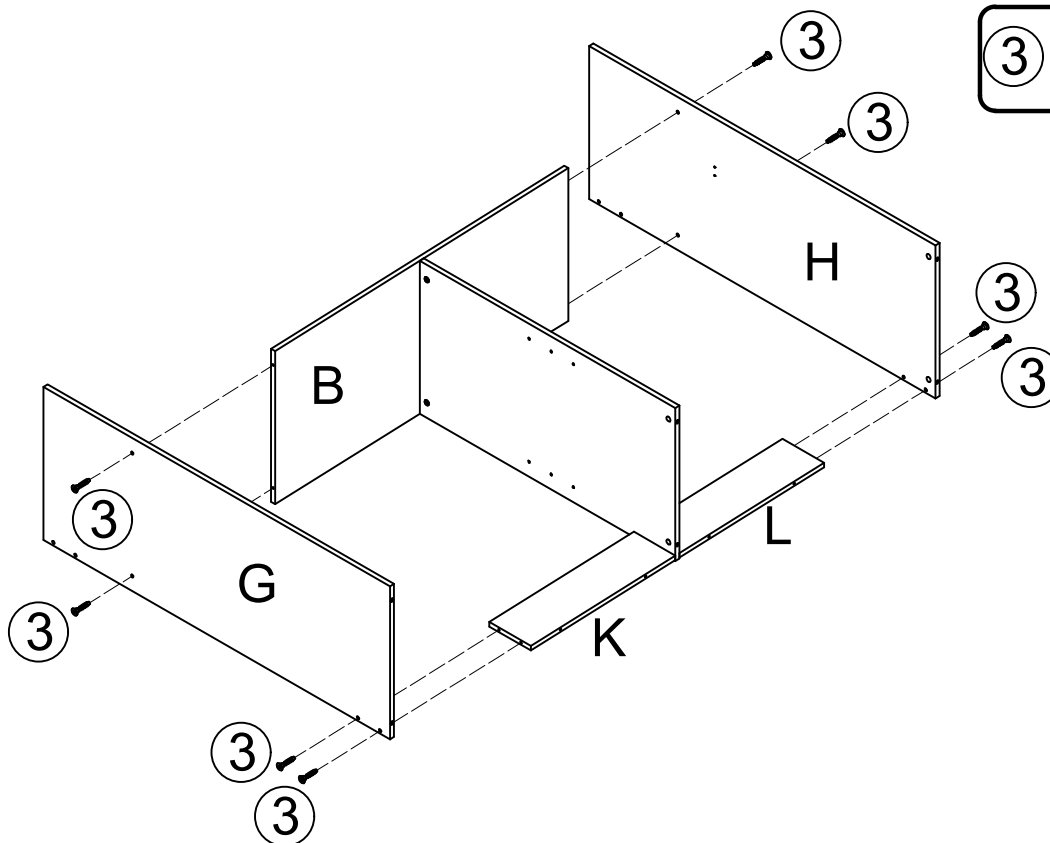
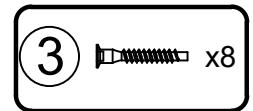
STEP 26



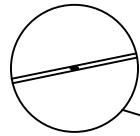
STEP 27



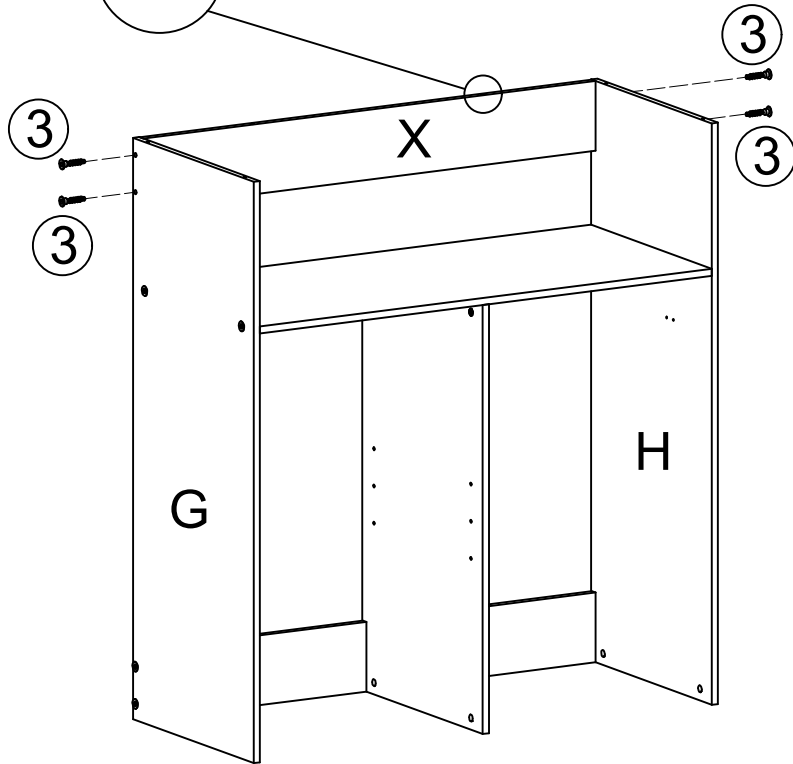
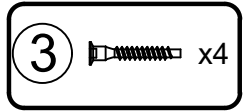
STEP 28



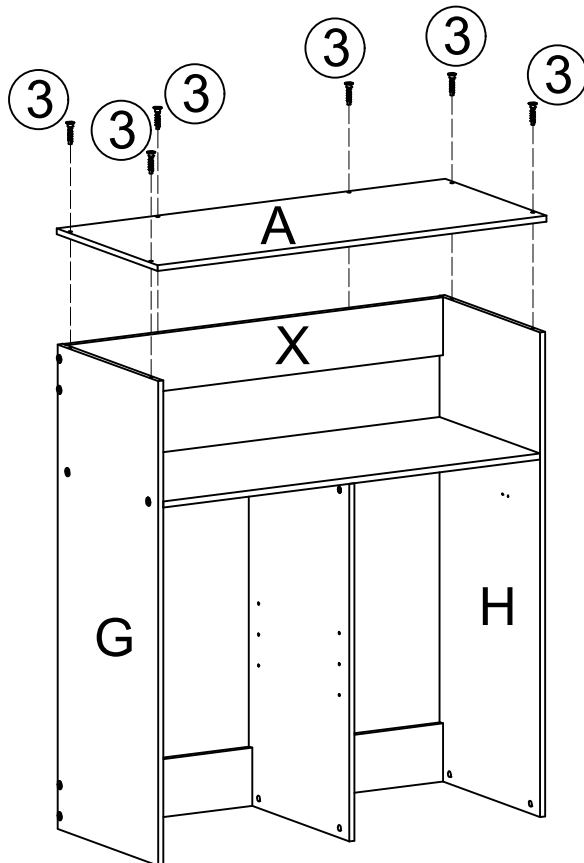
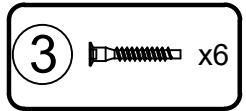
STEP 29



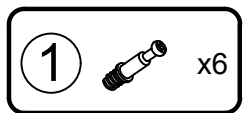
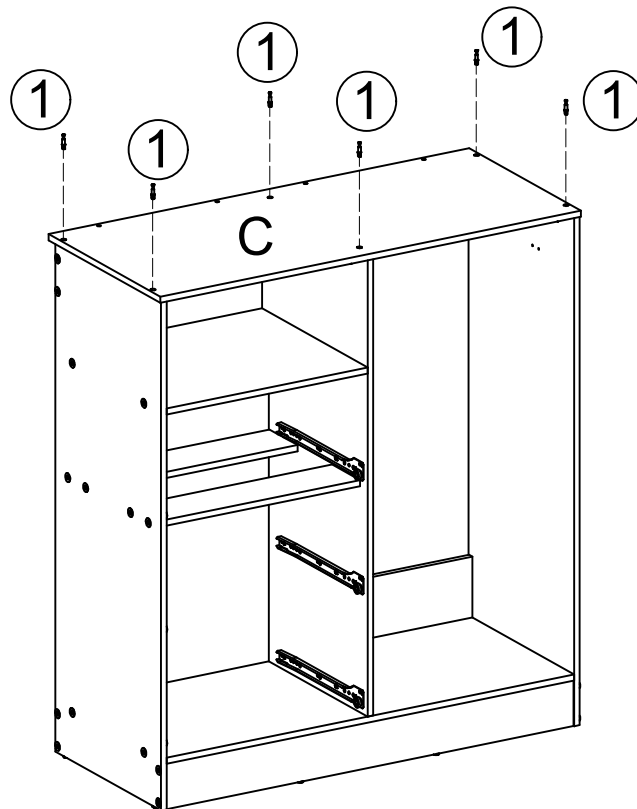
Keep the holes of the Part X toward this direction as shown



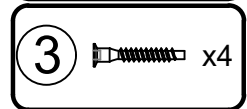
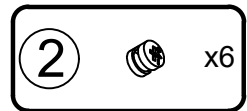
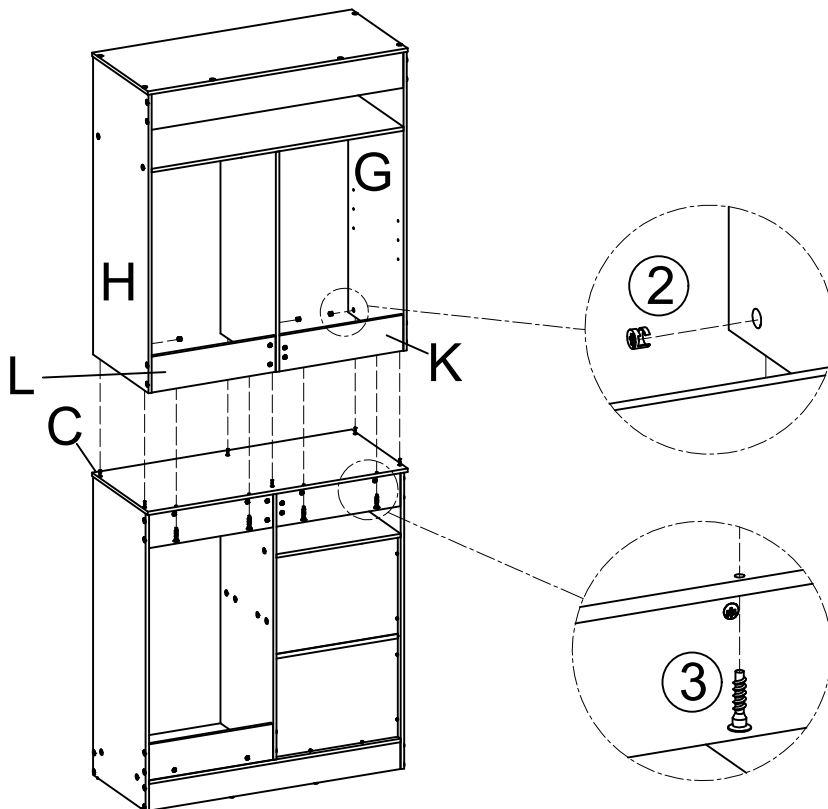
STEP 30



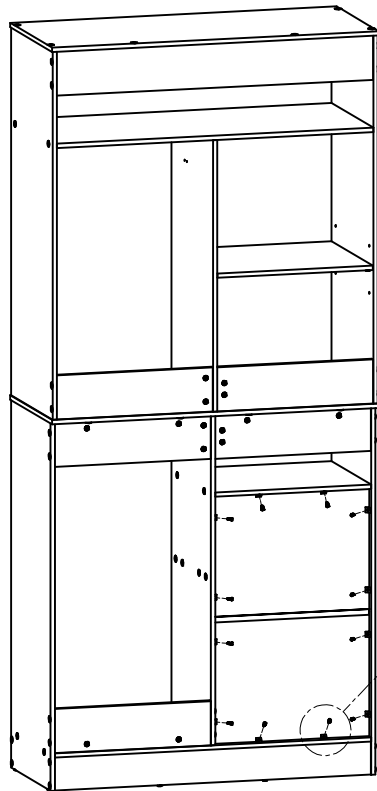
STEP 31

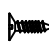



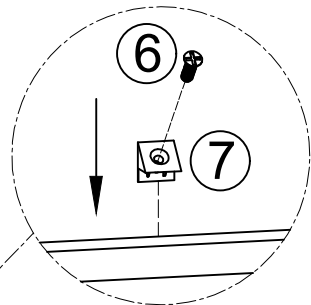
STEP 32



STEP 33

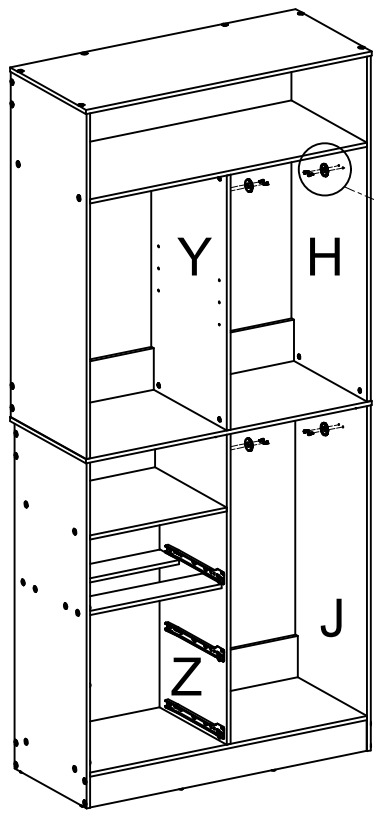




- ⑥  x12
- ⑦  x12

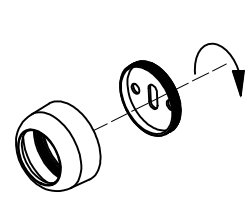
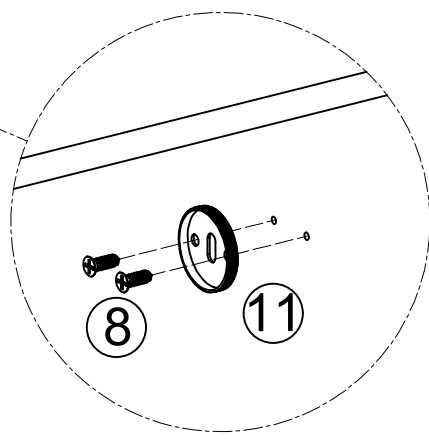


Use the buckles to reinforce the back panel.

STEP 34

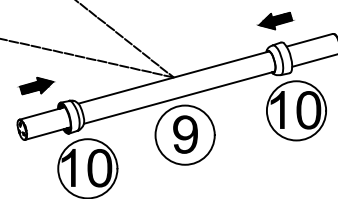
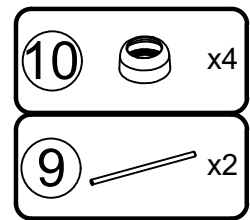
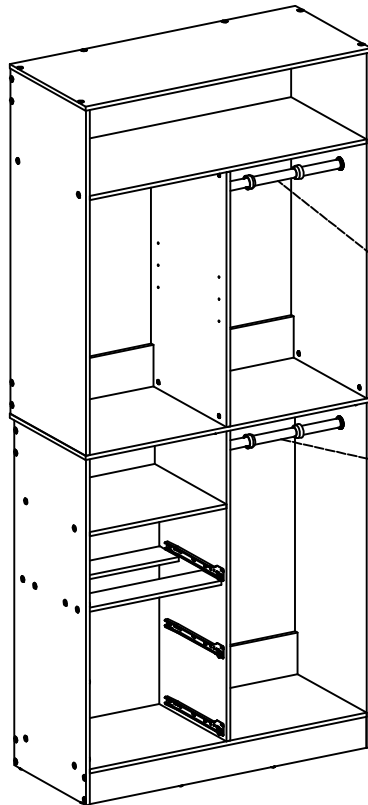


- ⑧  x8
- ⑪  x4



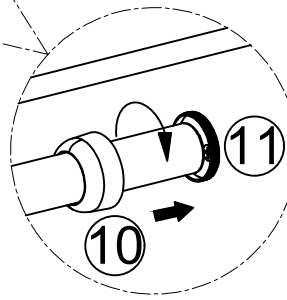
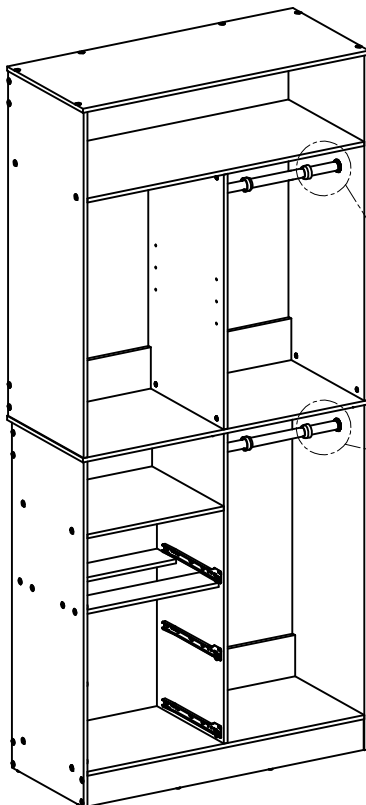
Please rotate and remove parts ⑩ and ⑪ as instructed.
Note: If necessary, please wear protective gloves during this step to avoid hand injuries.

STEP 35

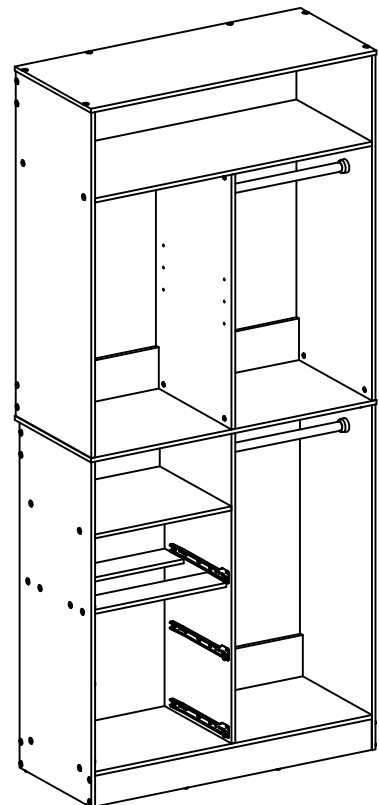


Please slide part ⑩ onto the rod part ⑨ with the threads facing outwards.

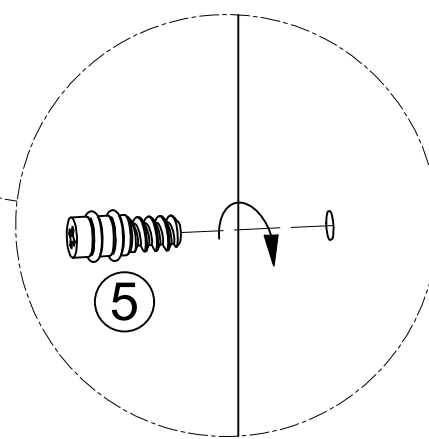
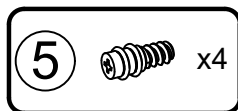
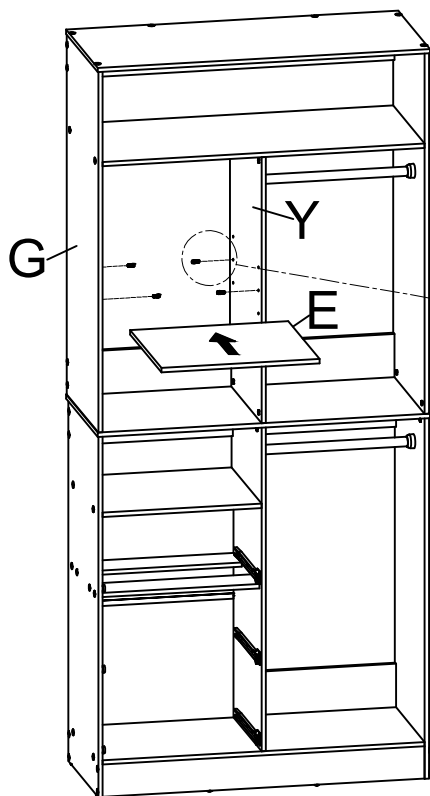
STEP 36



reinstall part ⑩ to part ⑪

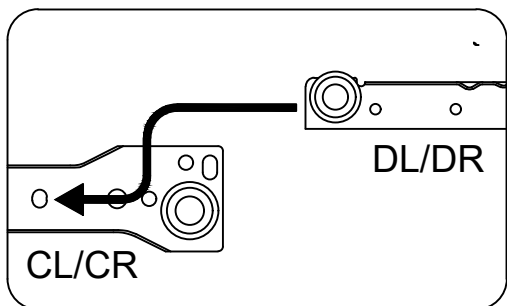


STEP 37

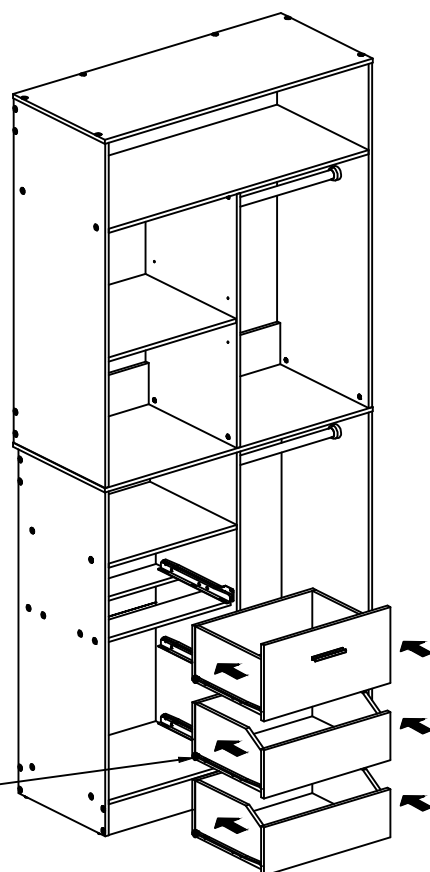


There are 3 heights for the shelf to be adjusted as you need.

STEP 38

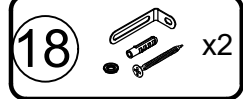


Please put the wheels align with the slots as the instruction shows, then slide into them



STEP 39

TIPPING RESTRAINT HARDWARE



Note: We have included two Tipping Restraint Hardware set for this Unit. When properly installed, this restraint can provide protection against the unexpected tipping of the Unit due to small tremors, bumps or climbing. We strongly recommend mounting this hardware to a wall stud and your Unit.

Note: You must install the Tipping Restraint Hardware with the unit in use to prevent any accidents or damage to the unit.

