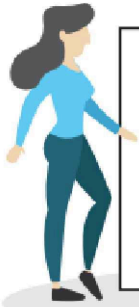
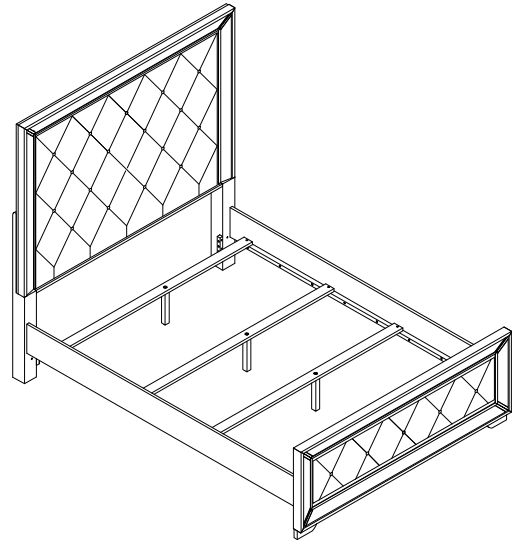


BED

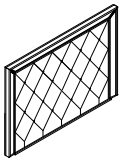


- Please keep instructions for future reference.
- Check the quantity and irregularity of parts and hardware before you start.



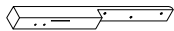
PARTS

#1 1pc



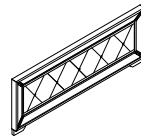
Headboard

#2 2pcs



Headboard leg
(L-R)

#3 1pcs



Footboard

#4 2pcs



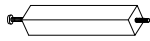
Bed Side Rails

#5 4pcs



Slats

#6 4pcs



Slats Support leg
220x30x30mm

HARDWARE

#A 6pcs



Bolt
Ø5/16"x1-3/8"

#B 6pcs



Lock Washer
Ø5/16"

#C 6pcs



Flat Washer
Ø5/16"

#D 1pc



Allen Key

#E 2pcs



Metal Bracket
30mmx18mm

#F 4pcs



Bolt
Ø1/4"x5/8"

#G 4pcs



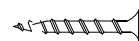
Lock Washer
Ø1/4"

#H 4pcs



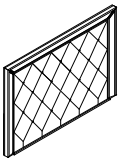
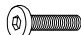



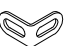
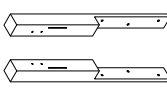
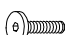


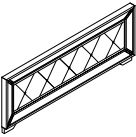
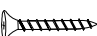

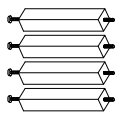

Flat Washer
Ø1/4"

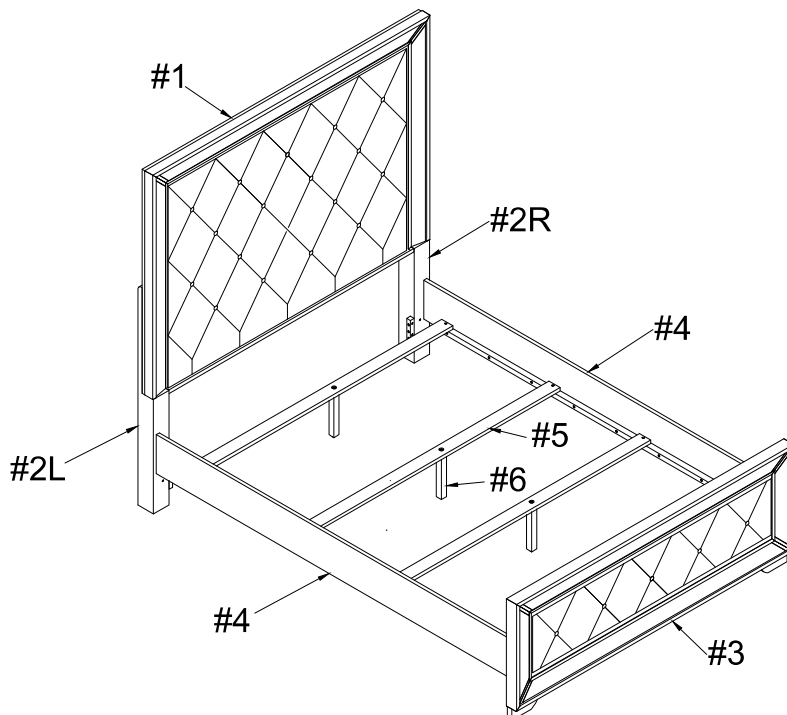
#K 8pcs



Screw
#4x32mm

packed in 3 cases

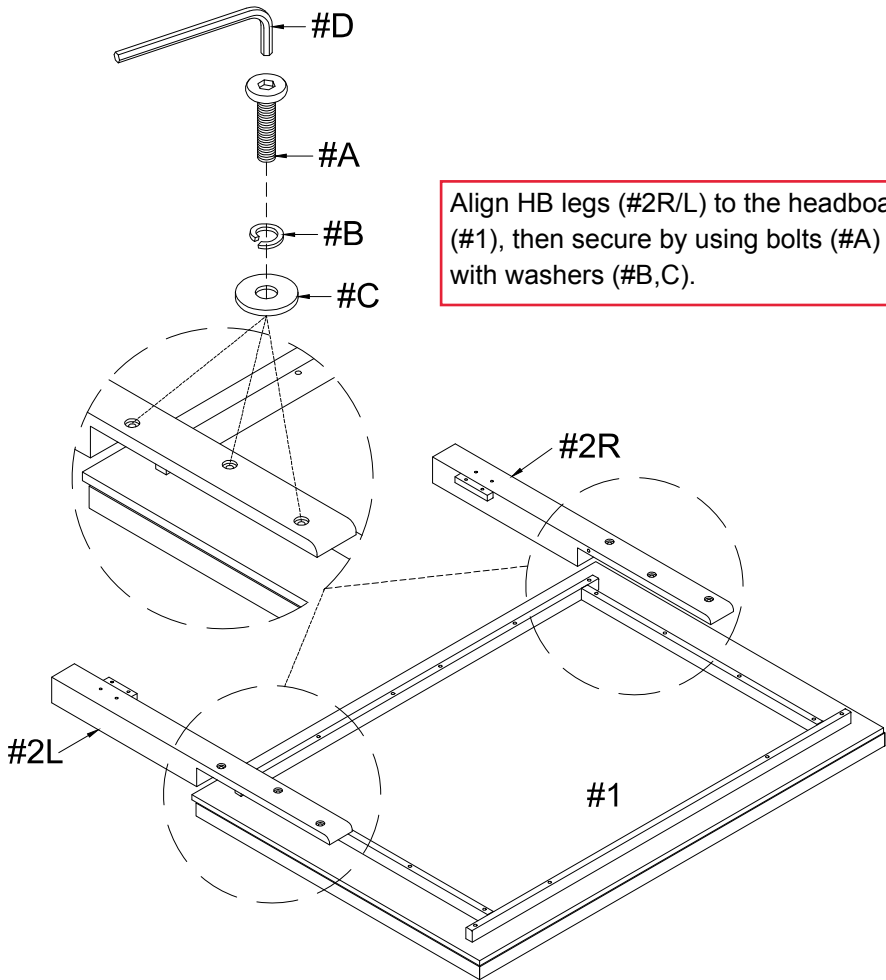
Disignation	Part	Hardware
Headboard Panel	#1 	 #A x 6pcs  #B x 6pcs  #C x 6pcs  #D x 1pc  #E x 2pcs
Headboard leg (L-R)	#2 	 #F x 4pcs  #G x 4pcs  #H x 4pcs
Footboard Panel	#3 	 #K x 8pcs
Slats	#5 	
Slats Surpport legs	#6 	
Side Rails	#4 	



ASSEMBLY INSTRUCTIONS

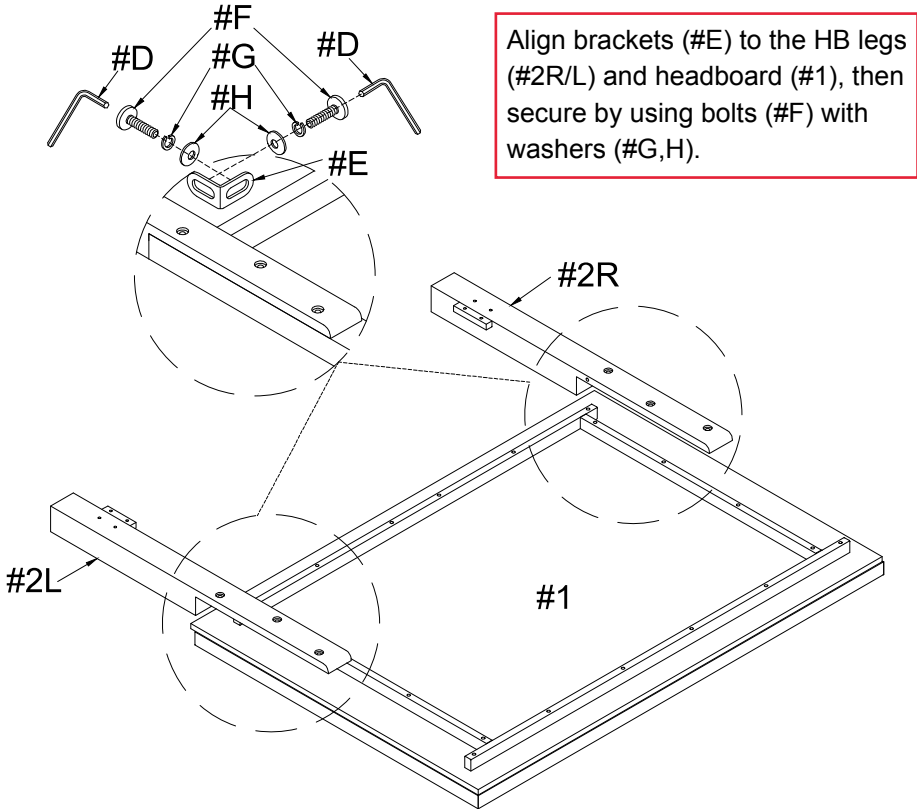
1

- Part #1 x1pc
- Part #2 x2pcs
- Hardware #A x6pcs
- Hardware #B x6pcs
- Hardware #C x6pcs



2

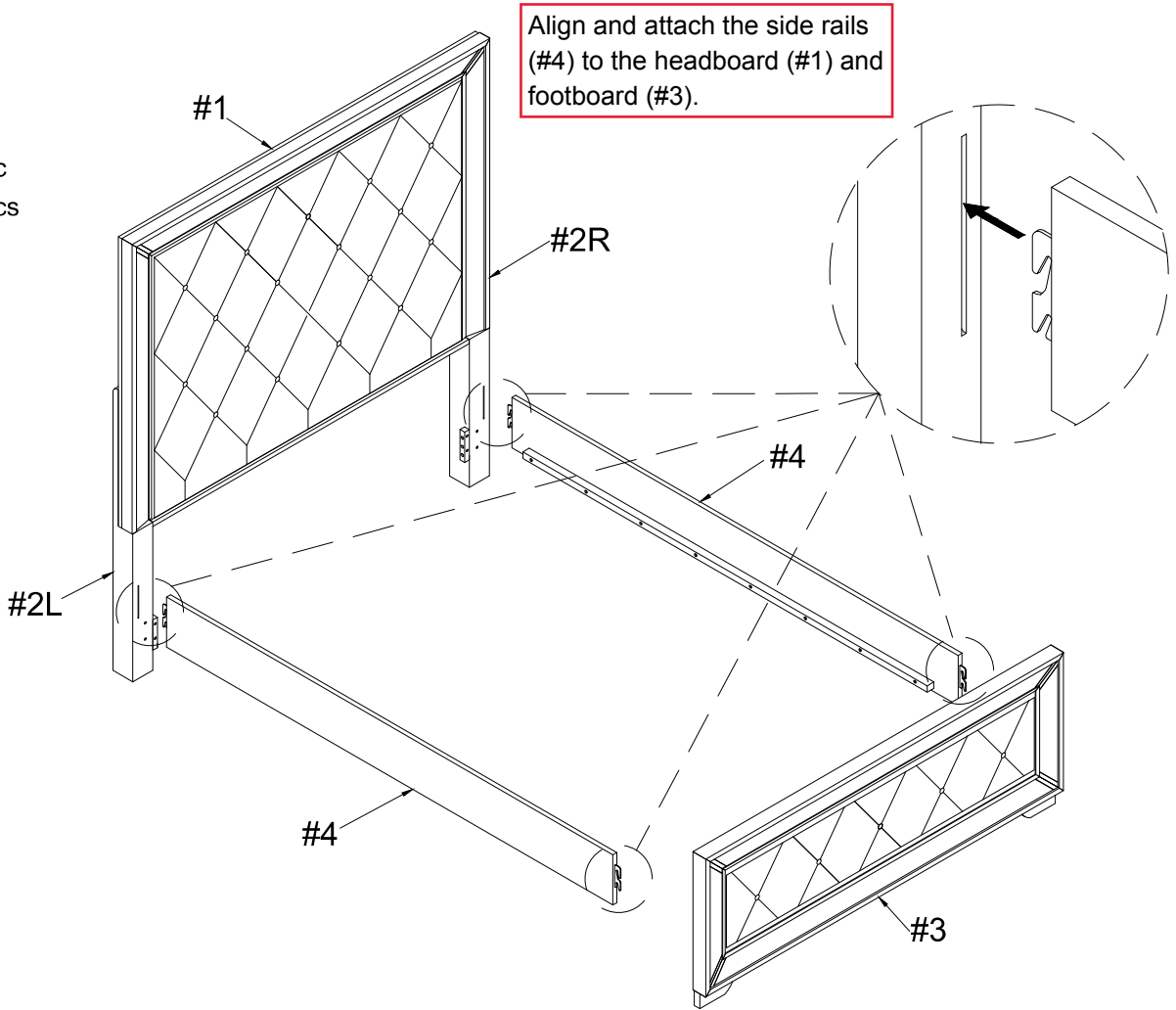
- Hardware #E x2pcs
- Hardware #F x4pcs
- Hardware #G x4pcs
- Hardware #H x4pcs



ASSEMBLY INSTRUCTIONS

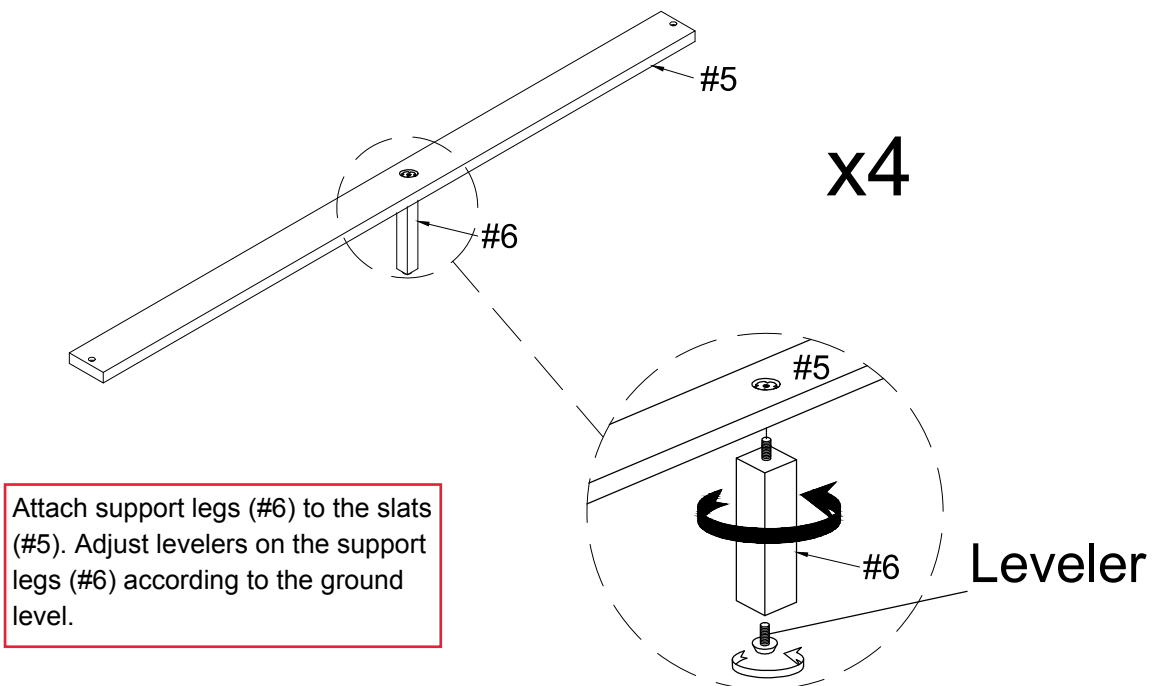
3

Part #3 x1pc
Part #4 x2pcs



4

Part #5 x1pc
Part #6 x1pc

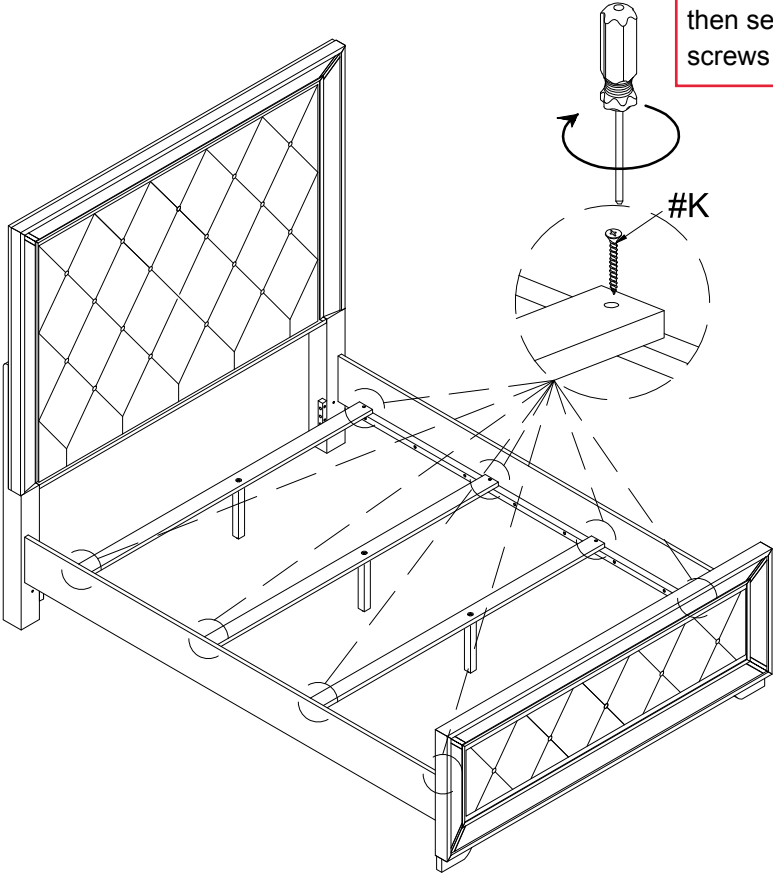


ASSEMBLY INSTRUCTIONS

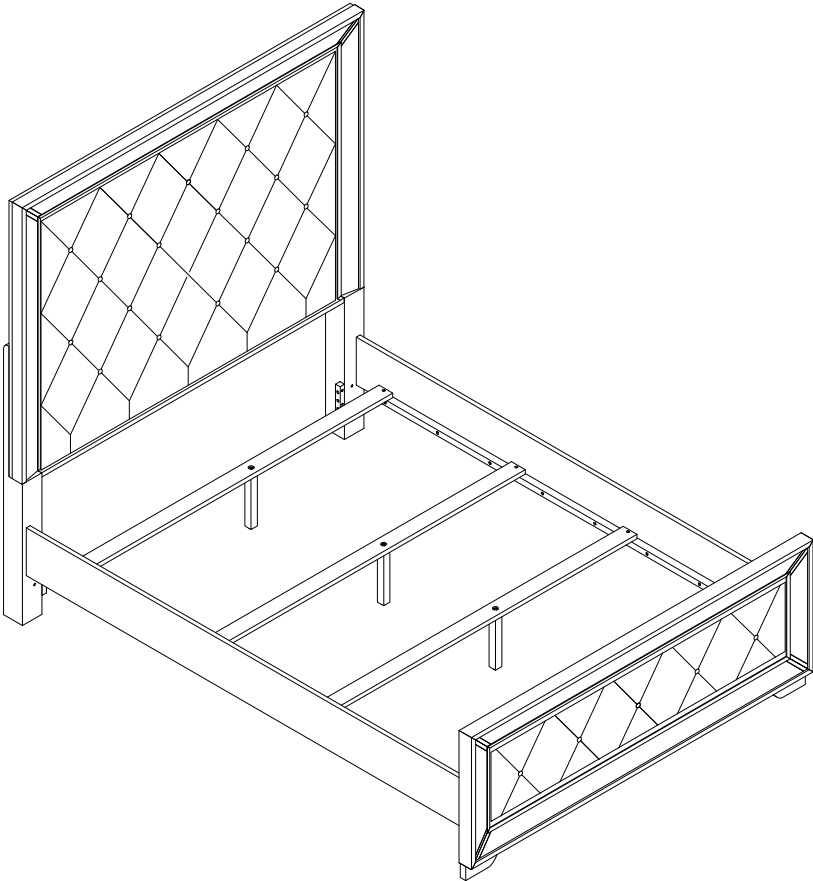
5

Hardware  x8pcs

Align slats to the side rails, then secure by using screws (#K).



6



ASSEMBLY COMPLETED



Please ensure the furniture rests on an even and flat surface. If the product wobbles or feels loose, double-check all bolts and/or screws are properly tightened and secured.



Keep this handy!

Please retain this instruction manual and any order-related information for future reference.



Lift, don't drag!

To avoid damage to product please always LIFT the product when transporting or adjusting the placement.