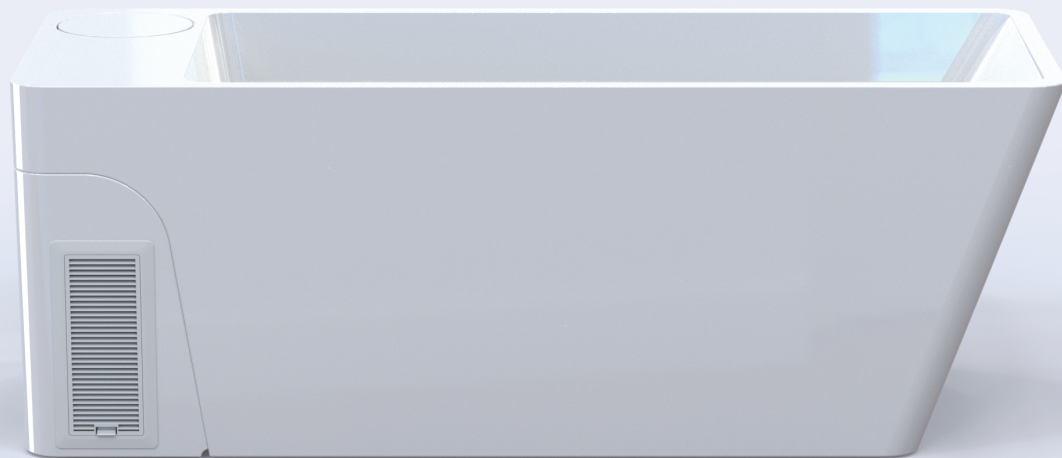


ALL IN ONE ICE BATH

PRODUCT MANUAL



Contents

Important Safety	02
Quick Start Guide	06
Control Panel Operation	16
Touch Panel introduction	17
WIFI Description	18
APP Operation	19
Warranty	20



Temperature from
2-42°C



All-In-One Design



Outdoor /Indoor



No ice needed



Easy to install - no
tools required



Superior Design



Long lasting
sturdy material



Ozone Purification



20 Micron
Filtration System



Smartphone
Remote Control

Important Safety

Thank you for choosing the allinone series Products. This installation manual provides general information on the installation of our products.

All the information in this guide is based upon the most recent product information available at the time of this publication. Gurgle were reserves the right to make changes to product characteristics, packaging, or availability at any time without notice.

Thank you for your purchase!



Please unpack and inspect all parts carefully to make sure they are complete and not damaged. If any parts are damaged or missing, please contact the authorized dealer you purchased the product through.

BEFORE YOU BEGIN

- Please read these instructions carefully before beginning your installation.
- Consult your local building codes to ensure that your installation complies with local standards.
- Remove the unit from its packaging. Before disposing, packaging and taking unit from your sales person, inspect the unit to make sure it is in good shape.
- Should inspection reveal any damage or defect in the finish, please contact the authorized dealer you purchased the product through. The warranty does not cover damages or defects in the finish once the unit has been installed. We were responsibility for shipping damages ceases upon delivery of the product in good order to the carrier. All complaints regarding damage due to transport must be made directly to the carrier.
- Please refer to your product's specification sheet and ensure that both your unit and build plan measure match the stated sizes.

Important Safety

To ensure proper setup and operation, it is crucial to read this manual carefully. Please reach out to us with any questions.



**ELECTRICITY CAN BE EXTREMELY DANGEROUS.
TO PREVENT ACCIDENTS, IT IS ESSENTIAL TO PRIORITIZE SAFETY.
PLEASE BE CAUTIOUS WHEN HANDLING ANY ELECTRICAL SYSTEMS.**

Allinone Plunge Safety Guidelines

IMPORTANT SAFETY INSTRUCTIONS

Please carefully read and adhere to all warnings and guidelines outlined below to mitigate the risk of serious injury or fatality. Retain these instructions for future reference.

USAGE PRECAUTIONS:

DANGER: Prevent Drowning - To prevent drowning, individuals under 18 years of age must not utilize the Allinone Plunge unless approved by a medical professional and under constant supervision.

DANGER: Hypothermia Hazard - Cold water immersion poses a severe risk of hypothermia, potentially fatal. Cease usage immediately and dial 911 if symptoms such as violent shivering, sluggishness, speech impediments, reduced motor skills, blue skin, or irregular heartbeat occur.

Important Safety



DANGER: Alcohol and Drug Warning - Never consume alcohol or drugs before or during use, as it significantly heightens the risk of fatal hypothermia, unconsciousness, or drowning.

DANGER: Entrapment Risk - The suction fittings are designed to match the pump's water flow. Only operate with intact fittings.

WARNING: Consultation Advised - Prior to use, consult a physician if pregnant, suffering from obesity, or with medical conditions such as heart disease, high/low blood pressure, circulatory issues, or diabetes.

WARNING: Medication Consultation - Seek medical advice before use if taking medication affecting drowsiness, heart rate, blood pressure, or circulation.

WARNING: Infectious Disease Alert - Refrain from using if afflicted with an infectious disease.

WARNING: Supervised Usage - Individuals with reduced physical, sensory, or mental abilities, or lacking experience, should only use under supervision.

WARNING: Temperature Check - Always verify water temperature with an accurate thermometer before entry. Tolerance of regulating devices may vary by +/-2°C (5°F).

WARNING: Entry and Exit Caution - Exercise caution when entering and exiting the Allinone Plunge to minimize injury risk.

WARNING: Electrical Safety - Unless proficient, avoid servicing the product yourself. Opening the rear cover may expose you to hazardous voltage. For servicing needs, contact a qualified technician.

Important Safety



By adhering to these safety precautions, you can enjoy the benefits of the Allinone Plunge with confidence and security.

INSTALLATION AND MAINTENANCE GUIDELINES FOUNDATION SUPPORT: Ensure a sturdy foundation regardless of the installation location. If using patio stones, they should be at least two inches thick and twelve inches square. Despite stones, occasional re-leveling may be necessary due to potential settling.

DECK INSTALLATION: Verify your deck's load capacity before placing the Allinone Plunge. Consult a qualified contractor or structural engineer to avoid exceeding the rated capacity, preventing structural damage. The ELEMENT+ Plunge, when filled, weighs 1,000 lbs.

FLOORING PROTECTION: Prior to placement, confirm waterproof or water-resistant flooring to mitigate damage risk.

POWER ACTIVATION: Refrain from powering the Allinone Plunge until it's filled to the required level to prevent immediate damage and voiding of warranty.

CRUCIAL HYPOTHERMIA INSIGHTS

Extended exposure to cold water may induce hypothermia, necessitating a balance between warmth and cooling. Hypothermia occurs when our body's heat loss exceeds heat production, affecting internal temperatures. Four primary heat exchange mechanisms - conduction, convection, radiation, and evaporation - regulate body temperature.

When warming mechanisms like shivering fail to counteract cooling, hypothermia manifests.

Symptoms progress through stages:

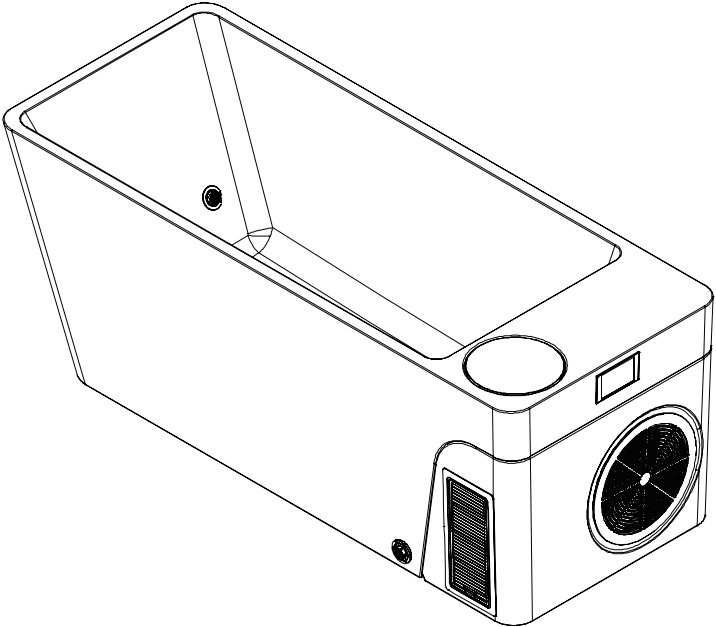
MILD HYPOTHERMIA: Shivering, goosebumps, impaired motor skills.

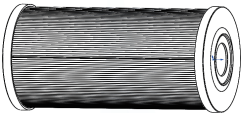
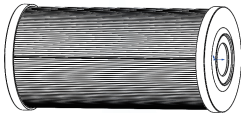
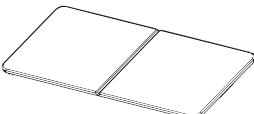
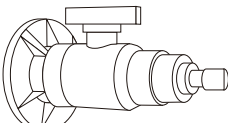
MODERATE HYPOTHERMIA: Intense shivering, sluggishness, speech difficulties, impaired fine motor skills.

SEVERE HYPOTHERMIA: Muscle rigidity, confusion, cessation of shivering, cyanosis, erratic heartbeat, unconsciousness. Recognizing these signs is crucial for prompt intervention and prevention of severe consequences.

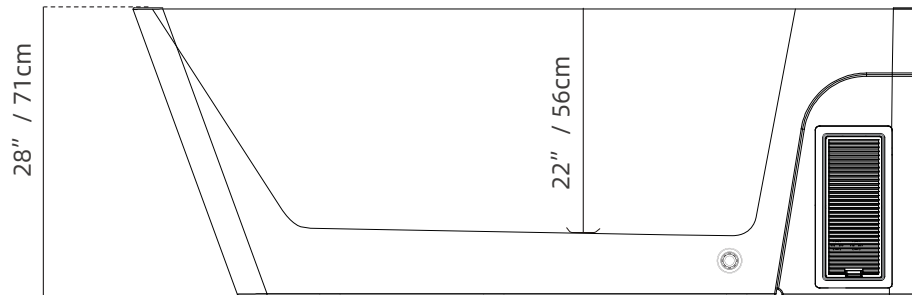
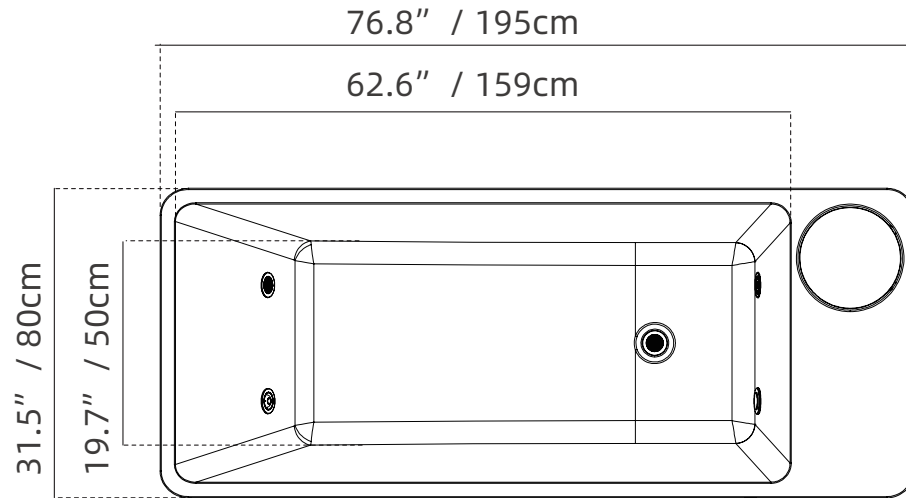
Quick Start Guide

ALL IN ONE ICE BATH



COMPLIMENTARY ITEM	
Freebies and accessories that come with the bath-tub.	
 Filter*1	 Filter*1
 Thermal cover*1	 Drain connector*1

Quick -product size



Voltage / Hz

110-125V60Hz
220-240V50/60Hz

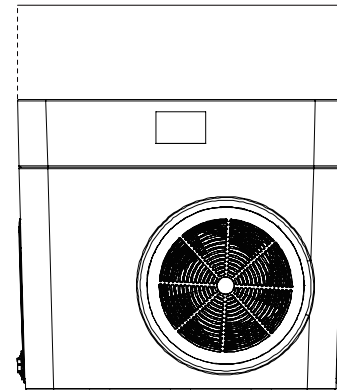
Power

1HP

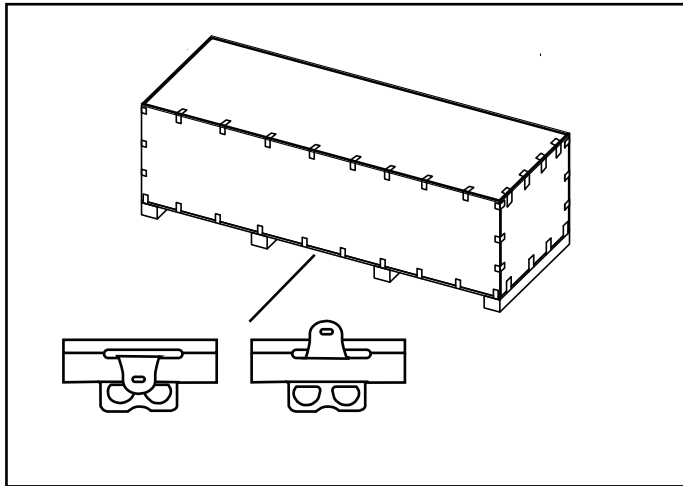
Cooling
Capacity

3210W/3150W

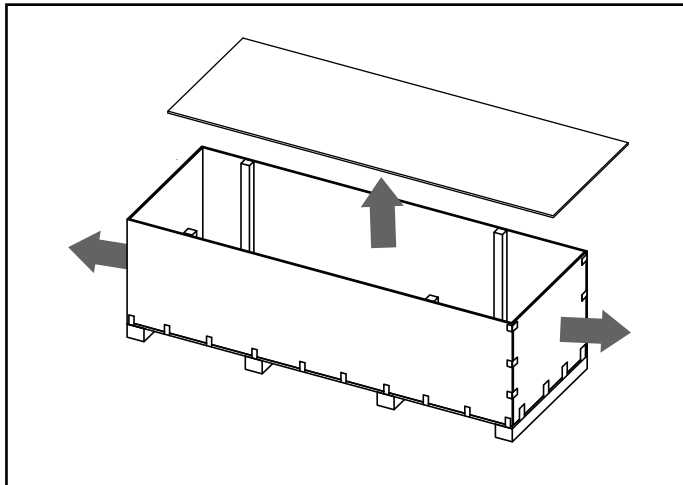
31.5" / 80cm



Quick-unpack

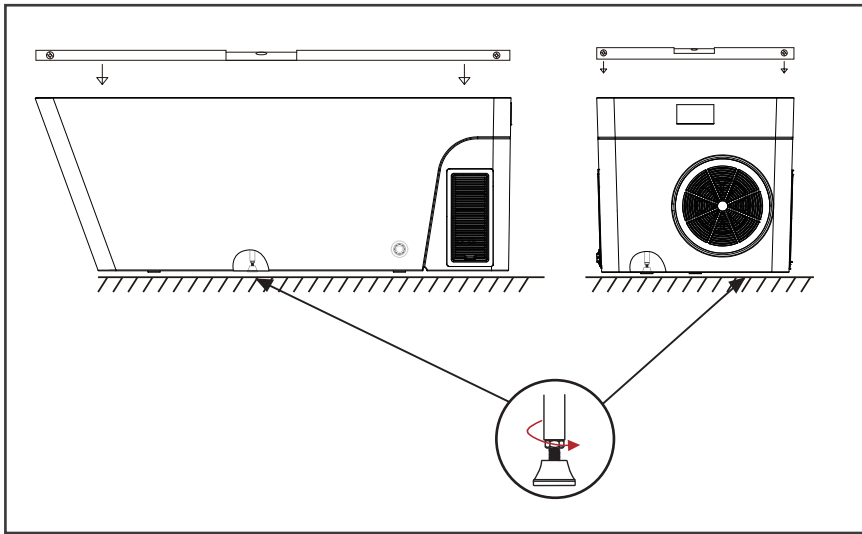


- Lift up the steel tongue on the edge of the board,

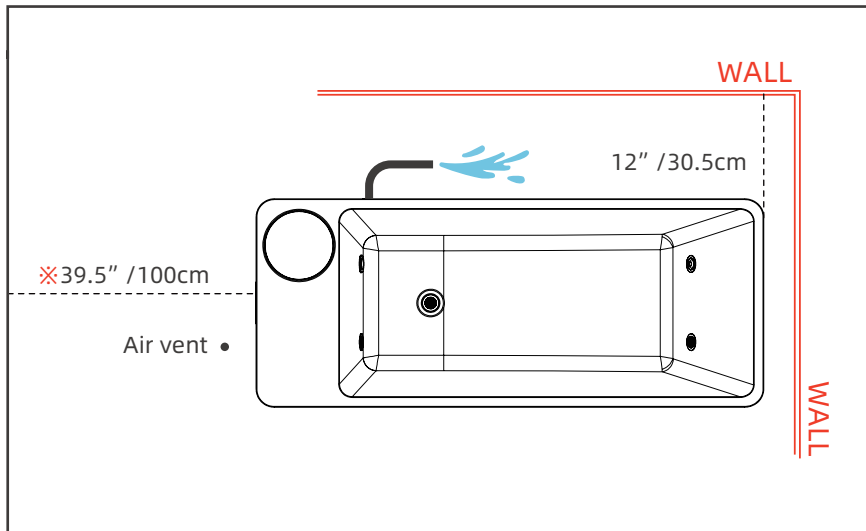


- Then remove the top panel and then the surrounding area, being careful when unpacking to avoid scratching the body.

Quick -how to place

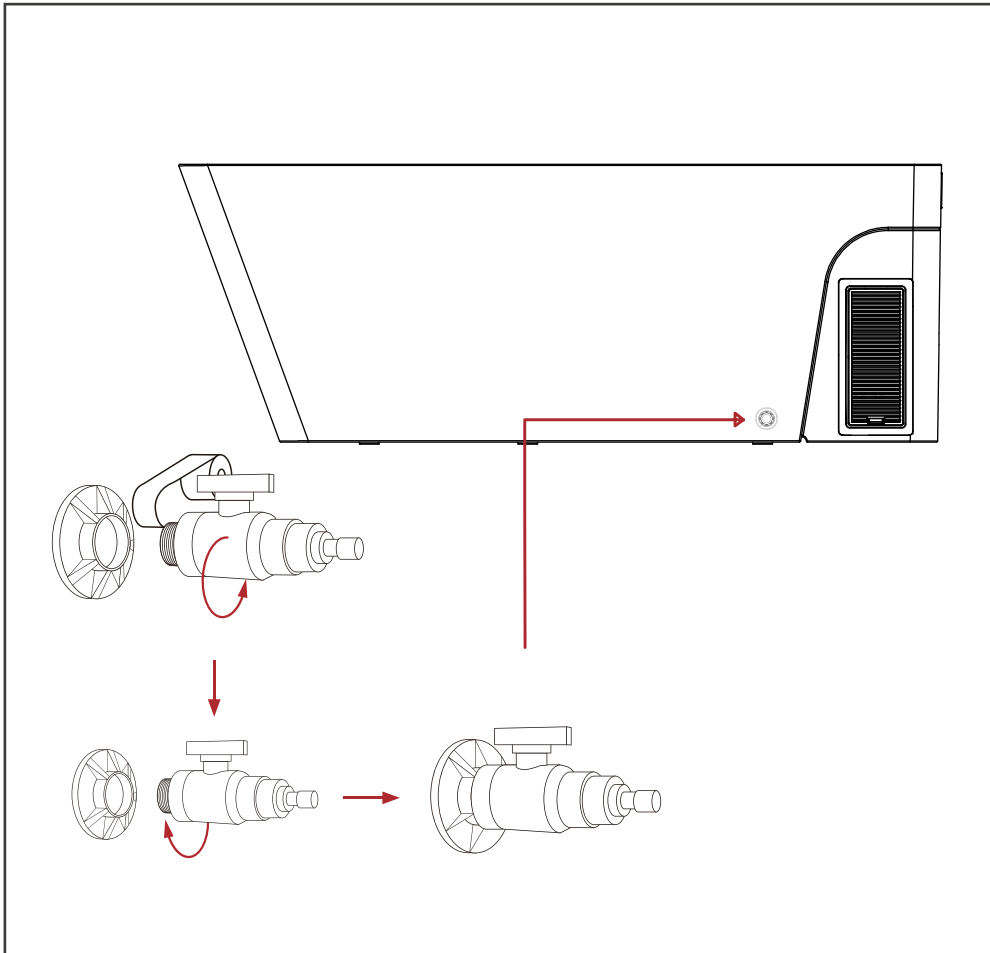


- When positioning the Plunge, ensure there's a minimum clearance of 16" inches on the end housing the component parts.
- Ensure the Plunge is situated on a level surface capable of bearing 544kg / 1,200 lbs.



- Ensure that there is 12 inches of space on the drainage side of the product for drainage, and that at least one side of the square air inlet is kept clear to ensure sufficient air intake.
- On the side with the air vent, a space of at least 39.5 inches must be reserved to ensure efficient operation of the machine and to prevent the overheat protection function from affecting normal use.

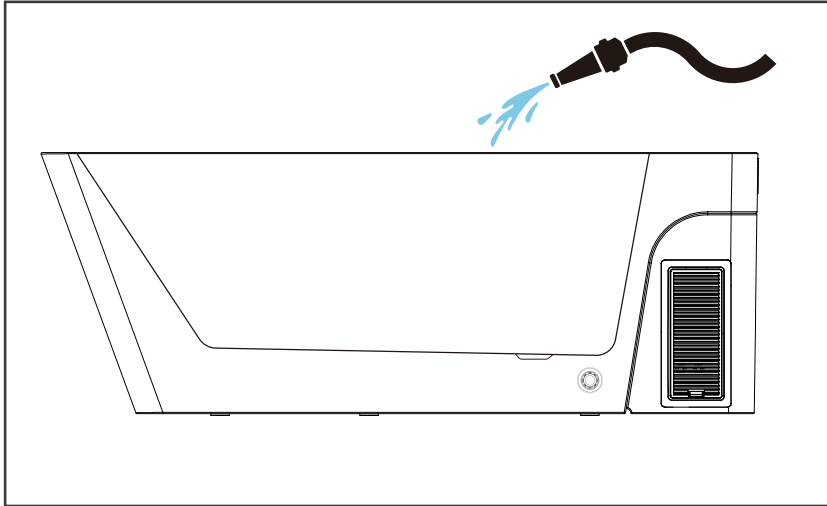
Quick -installation of drain valve



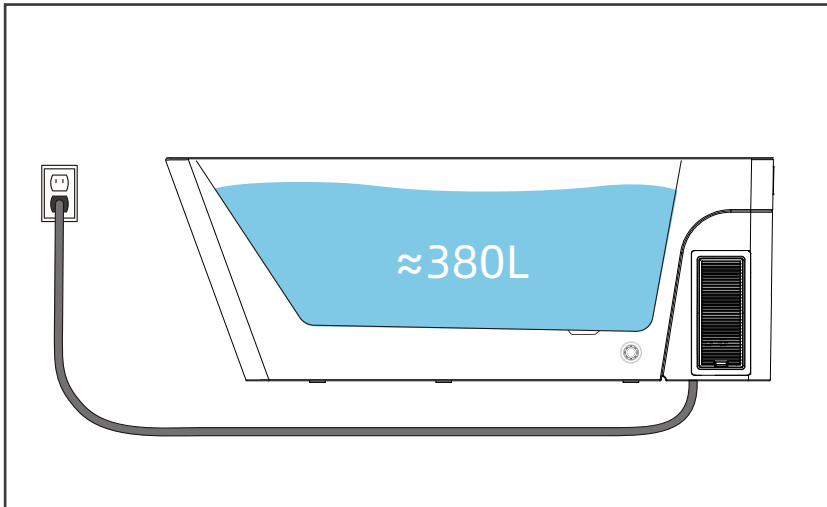
- Connect the “Drain connector”
Securely screw the “Drain connector” onto the “Drain” connector on the Plunge, Wrap the drain connector with the white Teflon tape.

✘ This must be done before the first water release is performed

Quick -drainage precautions

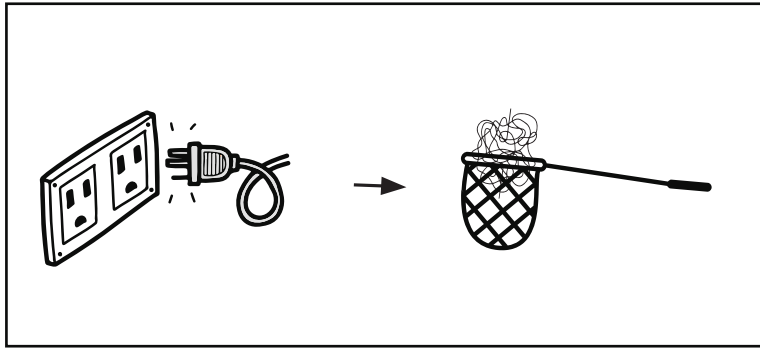


- Proceed to fill the Plunge with water.
Recommended water levels:
 - Indoor: Maintain water level at 4.5" from the top.
 - Outdoor: Keep water level at 3" from the top.

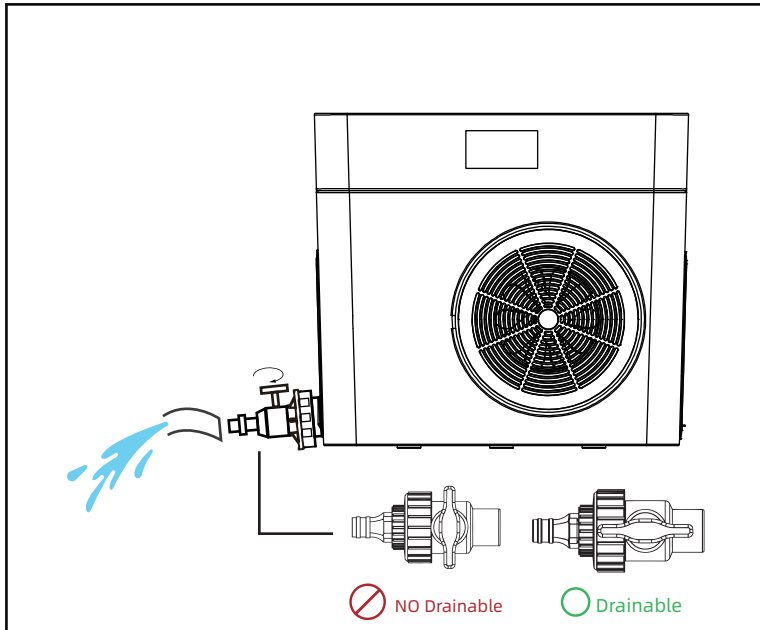


- Once the tub is filled, you can connect your Plunge to a dedicated 120V 15A circuit outlet.
Note: Allow the Plunge to rest for a minimum of 20 minutes to ensure proper settling of the coolant before plugging it in.
Note: If you intend to use an extension cord, ensure it's a 12-gauge cord to provide ample power for distances up to 25 feet.

Quick -how to drain

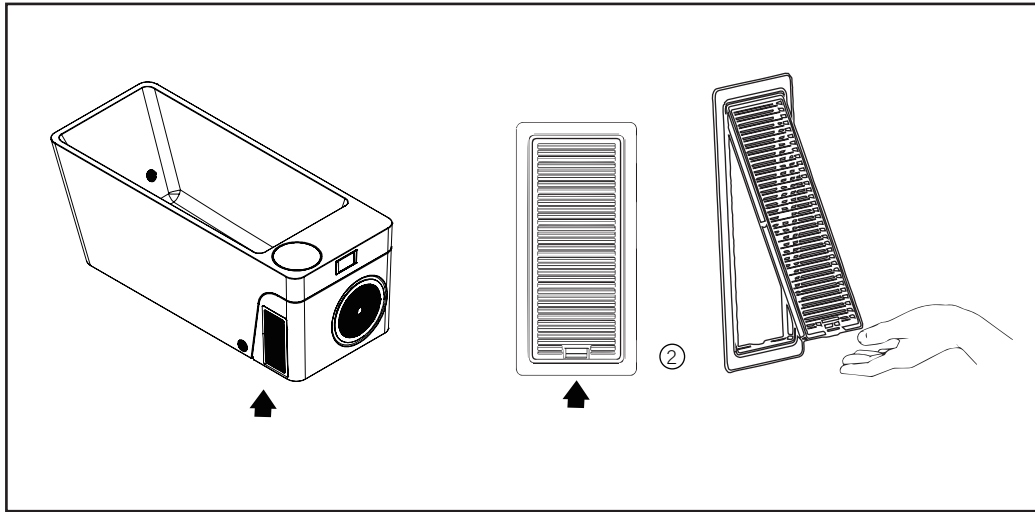


- After turning off the power, use a strainer to salvage clean debris and keep the water body free of other substances. To ensure that the product has a longer service life.

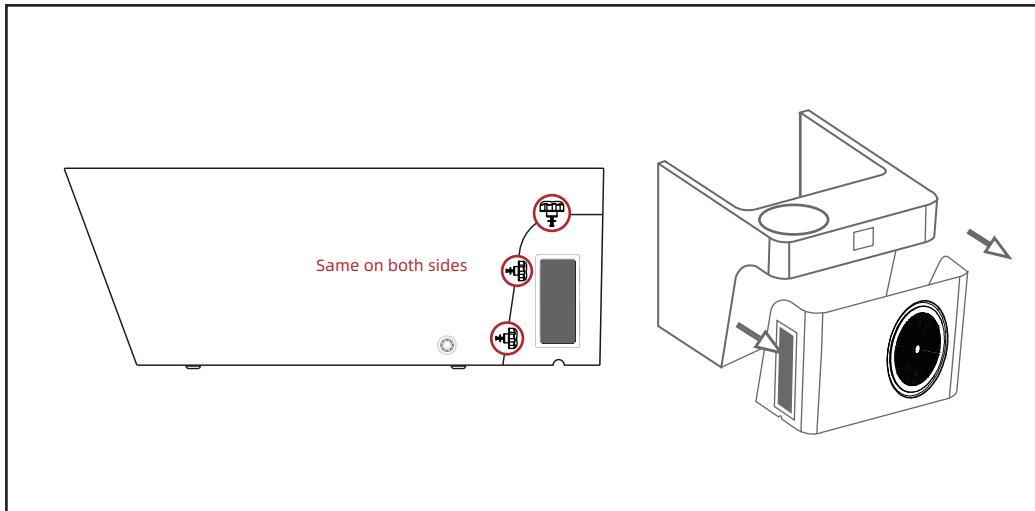


- When it is time to drain the water, turn the pre-assembled drain valve 90° and start draining as shown in the illustration.

Quick -rear cover removal



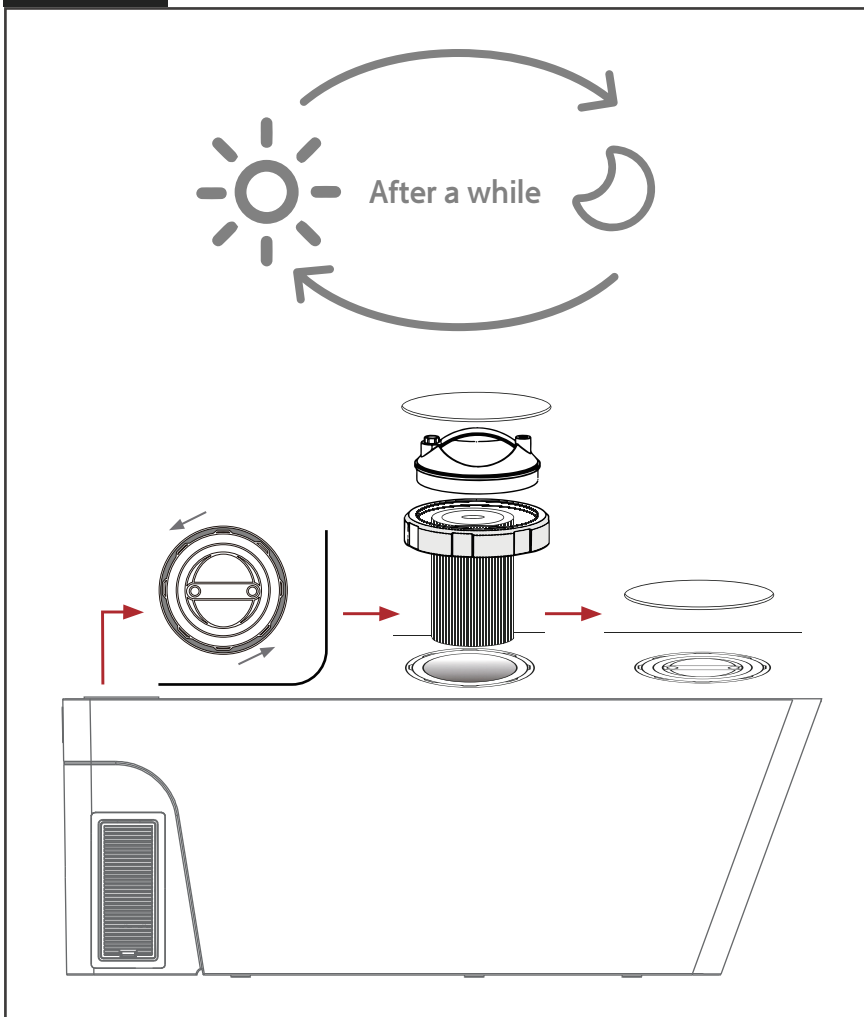
- Side air inlet removal buckle the lower handle and pull outward to open the air inlet cover.



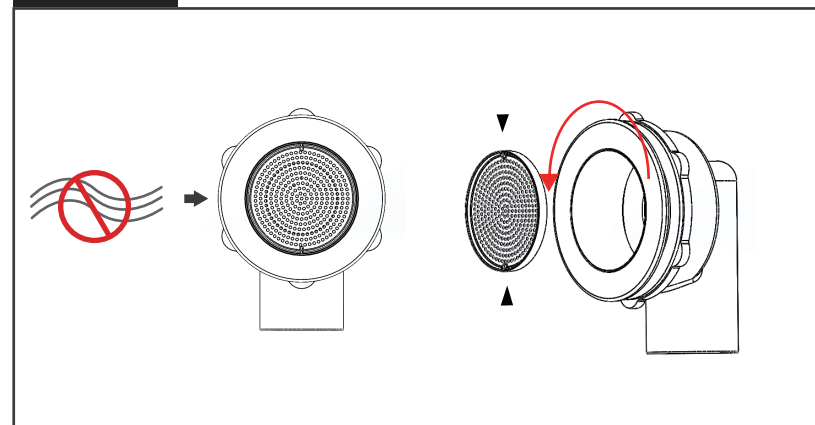
- Hand access to the inside of the air inlet, turn the 6 fixing screws until completely removed, then remove and the back casing, taking care to avoid the machine and the foam.

Quick -replacement of filter cartridge

Main filter



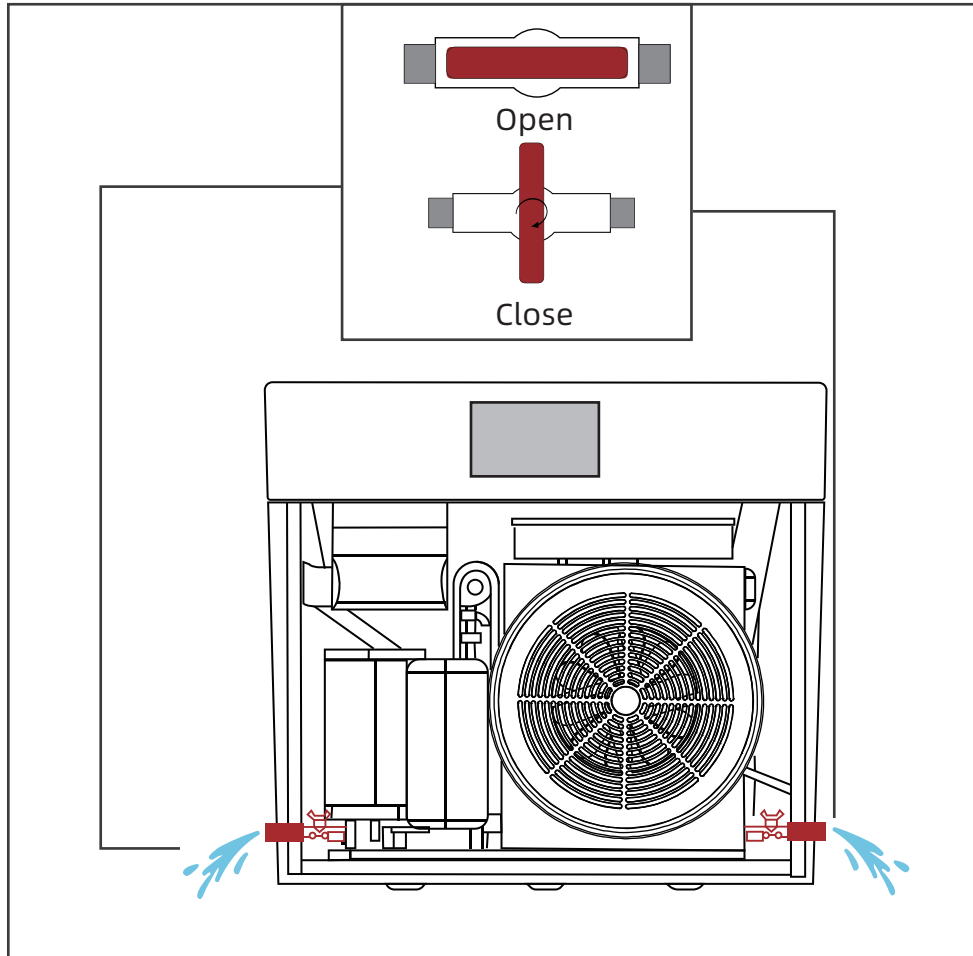
Outlet



The return spout acts as a pre-filter. Each small hole is only 1 mm and effectively filters out hair and some large particles. We recommend that you also dismantle and clean it regularly to ensure the proper functioning of your bathtub.





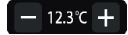
- We recommend that you replace the filter cartridge after using it for a period of time by opening the round acrylic cover when the machine stops working, rotating the filter housing counterclockwise, then removing the paper cotton cartridge, replacing it and reassembling it, and that's it.

Quick -long-term preservation method

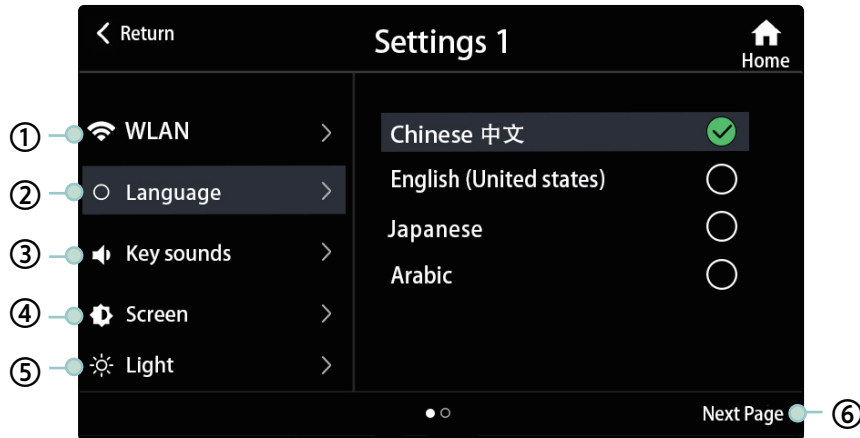
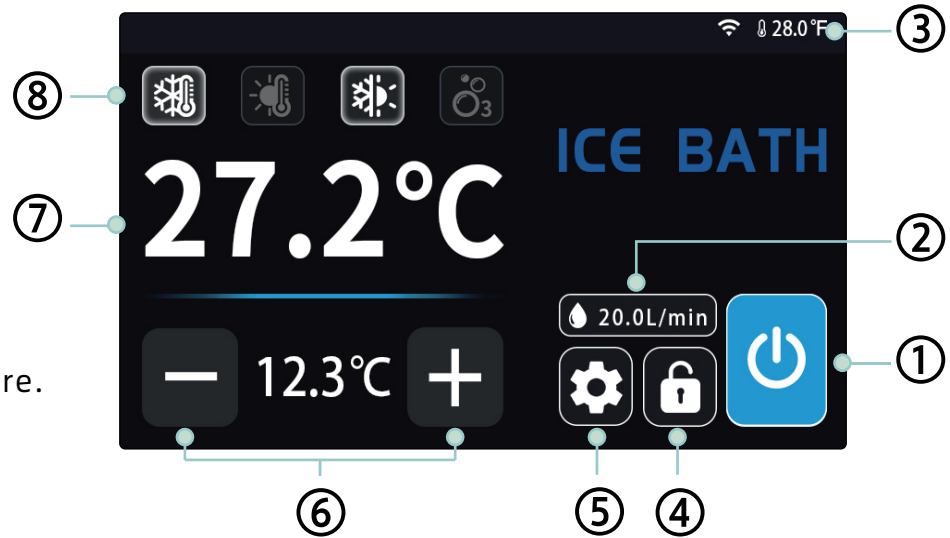


● If you don't use it for a long time, it is recommended that after emptying the water in tub, also empty the remaining water in the chiller and piping, which can be discharged through the red drain valves on the left and right outlets, and draining the excess water can increase the life of the machine.

Control Panel Operation

- ① Press  to turn ON/OFF.
- ② Real-time water flow rate display.
- ③ Real-time display of the current ambient temperature.
- ④ Long press  to lock the screen, long press  3-5s to unlock.
- ⑤ Press  to enter Settings.
- ⑥ Press  +/- to set the temperature.
- ⑦ Real-time display of the current water temperature.
- ⑧ Icon lights up when function runs.

- The corresponding icon will only light up when the current function is turned on.

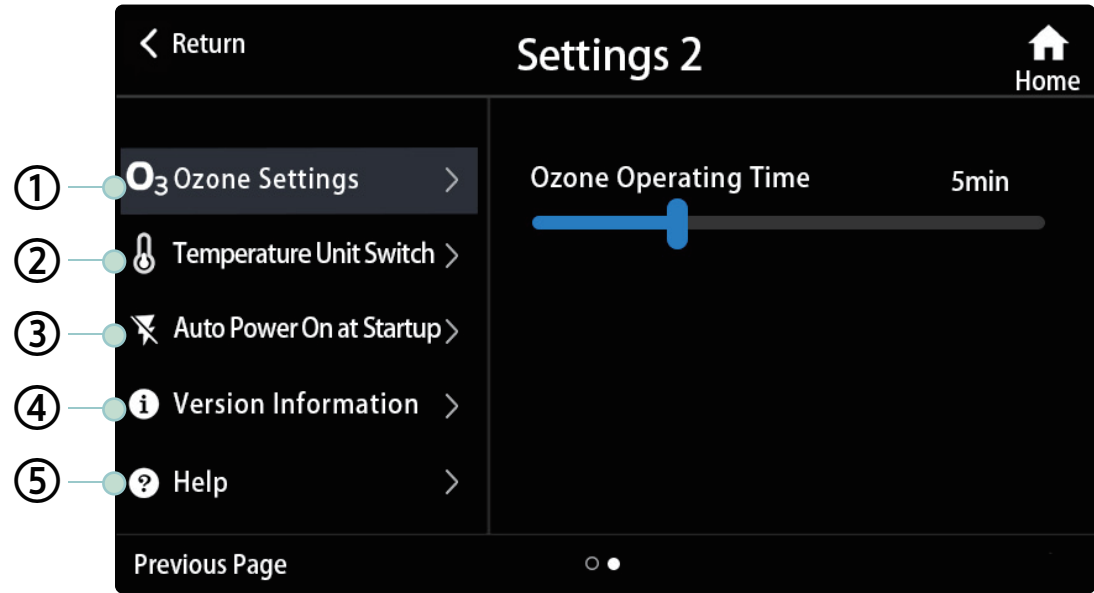


1. Press "WLAN" to connect to Wi - Fi;
2. Press "Language" to set the language selection;
3. Press "Key Sound" to set the button sound ON/OFF;
4. Press "Screen" to set the screen brightness and the screen lock/off time;
5. Press "Light" button to set and switch the color.
6. Press "Next Page" to enter more settings.

Touch Panel Introduction

Detailed display

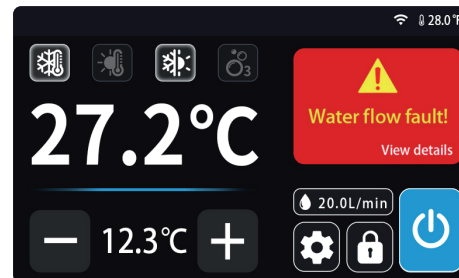
1. Press "Ozone Settings" to set the ozone operating time,
2. Press "Temperature Unit Switching" to switch the temperature units(°C/°F);
3. Press "Auto-power-on" to set the auto power ON/OFF after power-on;
4. Press "Version Information" to view the current version information;
5. Press "Help" to view the machine installation guide and maintenance instructions.



Common Troubleshooting

This machine has the function of automatically detecting faults. When a fault occurs in the device, the Home page will display the fault type. Press to view the details and carry out troubleshooting according to the instructions.

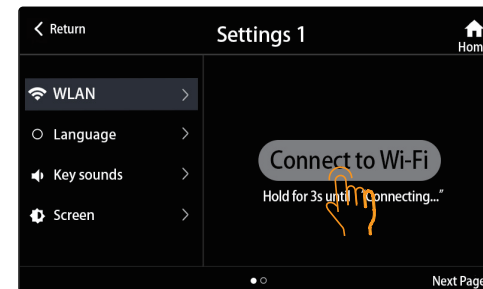
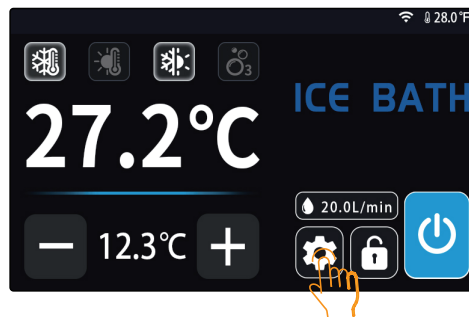
If the operation according to the troubleshooting guide is ineffective, please contact professional after-sales service.



The water flow is lower than the flow protection value.
Please check whether there is air leakage in the waterway, whether the seals of the water pipe and the filter cup cover are in good condition, and whether all connections are fastened properly. Please check whether the waterway is blocked or replace the filter element.
Please install the water pipe and start the machine according to the operation instructions.

WIFI Description

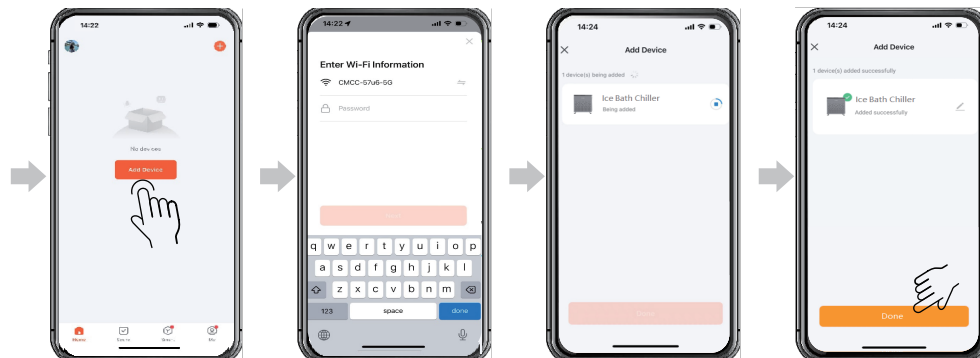
1. Scan the QR code of Tuya Smart or Smart Life to download the APP.
2. Turn on the machine and press "Settings" on the Home page.
3. Press "Connect to Wi-Fi", hold for 3 seconds until "Connecting..."
4. Open the Tuya Smart or Smart Life APP on your phone.
5. Search for and select the device, click Connect and enter the Wi-Fi password.
6. After the connection is completed, enter the control page of the phone APP.



Tuya Smart



Smart Life



APP OPERATION

- ① Real-time current water temperature
- ② Slide to set the ozone operating time,
- ③ Set the auto power ON/OFF after power-on;
- ④ Time for scheduled power-on and power-off,
- ⑤ Real-time water flow rate display,
- ⑥ Temperature setting range 2-42°C/35.6-107.6°F
- ⑦ Power ON/OFF;
- ⑧ View more parameters.



WARRANTY

Please be aware that damages resulting from freezing conditions or improper water chemistry are not covered under our warranty.

Continuous water flow is crucial for three main reasons:

1. Sanitary Conditions: Stagnant water poses sanitation risks for the system. Accumulated bio-matter can solidify inside the pipes, necessitating thorough cleaning with hot water. Adherence to the maintenance protocol outlined in the manual is imperative to prevent such issues.
2. Preventing Damage: In regions where temperatures drop below freezing, stagnant water can lead to plumbing system damage, including cracks and breaks.
3. Maintenance in Cold Weather: During freezing temperatures, it's essential to monitor your Plunge daily to ensure uninterrupted water flow. If your Plunge lacks a heater and the temperature remains below 32°F for 12 hours, it's necessary to drain the Plunge, filter, and chiller to prevent damage.

It's vital to maintain continuous water flow to safeguard the integrity and functionality of your system.

An aerial photograph of a river in winter. The water is dark and turbulent, with numerous large, irregular chunks of white and light blue ice floating in it. The ice pieces vary in size and shape, some appearing as large, flat sheets and others as smaller, jagged fragments. The overall scene is a dense field of ice and dark water.

ALL IN ONE ICE BATH

