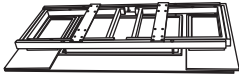
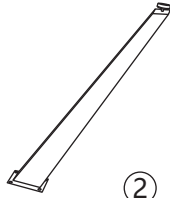


ASSEMBLY INSTRUCTION



① ×1



② ×4



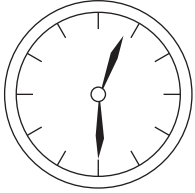
M8x16mm

③ ×16

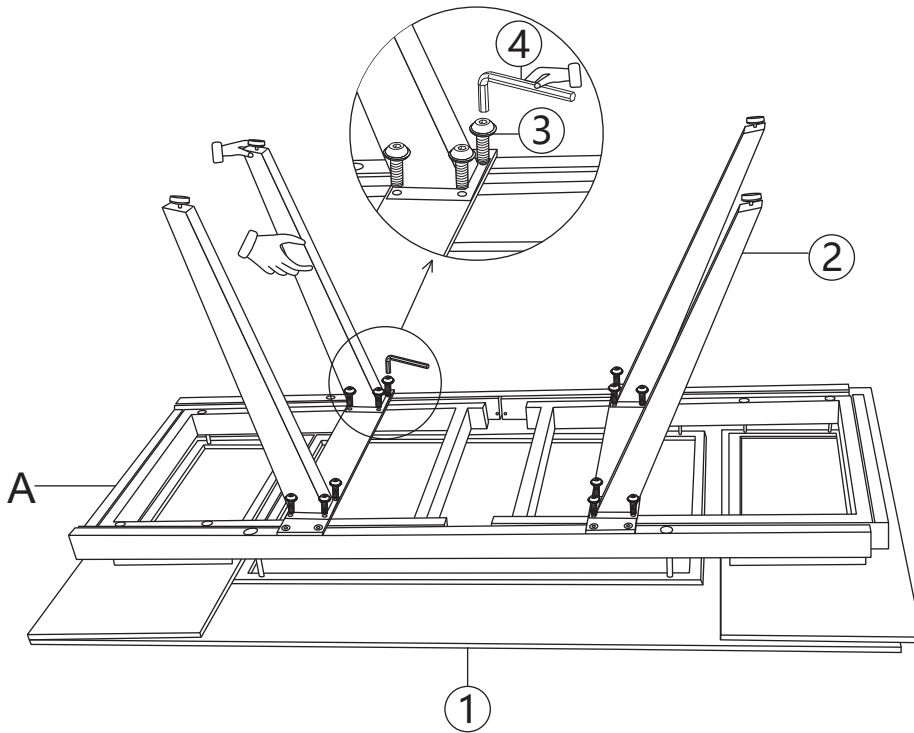


#6

④ ×1



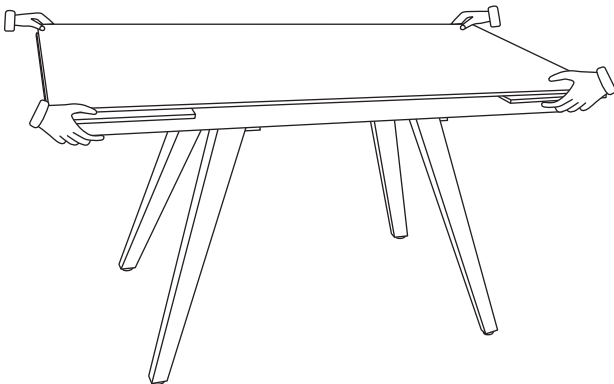
⑤ ×1



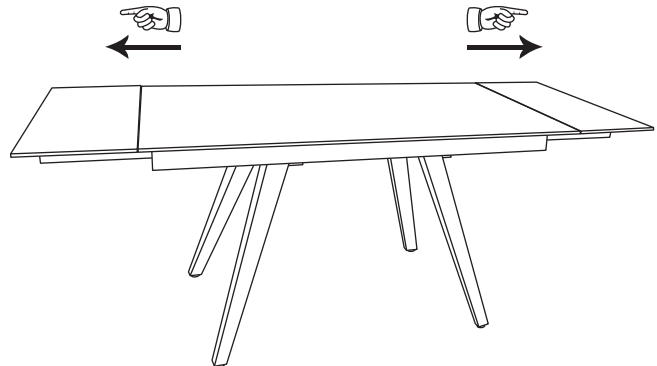
2



The goods are heavy, Prevent from being hit.



3



Product FAQ

Q : What if the table top is uneven?

A : Please scan the QR code (video for adjusting uneven table top).

