

Assembly Instructions

We believe you will absolutely love your new furniture.

Please **inspect your product carefully upon receipt**. If any parts are missing or damaged, please contact us within **30 days** of delivery. Our Customer Service team is here to help with any concerns or questions — including support for missing parts, replacements, or general assembly assistance.

If you're considering a return, please **reach out to us directly before contacting the retailer**. In many cases, we can resolve your issue quickly and efficiently.

When reaching out, please include:

- **Item Number**
- **Purchase Order (PO) Number**
- **Purchaser's Name**
- **Proof of Purchase**
- **Description of the issue or the specific part number needed**

Most replacement parts or hardware ship within 3–5 business days. We appreciate your patience.

Return Policy Reminder

If you decide to return the item, it must be in **good condition**, in the **original packaging**, and include **all parts, accessories, and proof of purchase**, within the timeframe specified by the retailer where it was purchased.

30-Day Limited Warranty

This product is covered by a **30-day limited warranty** for manufacturing defects.

This warranty does **not** cover:

- Commercial, rental, or non-residential use
- Improper maintenance or misuse
- Damages from incorrect assembly
- Normal wear and tear
- Any product purchased from or modified by a **non-authorized dealer**

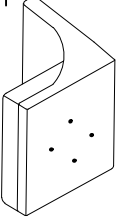
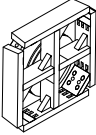
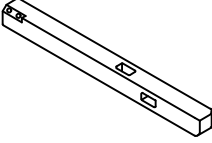
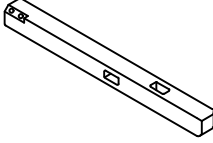
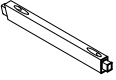



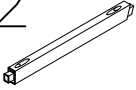
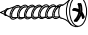

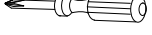
To file a warranty claim, you'll need:

- Clear photos of the issue
- Purchase order number
- Manufacturer's barcode label
- Any additional documentation upon request

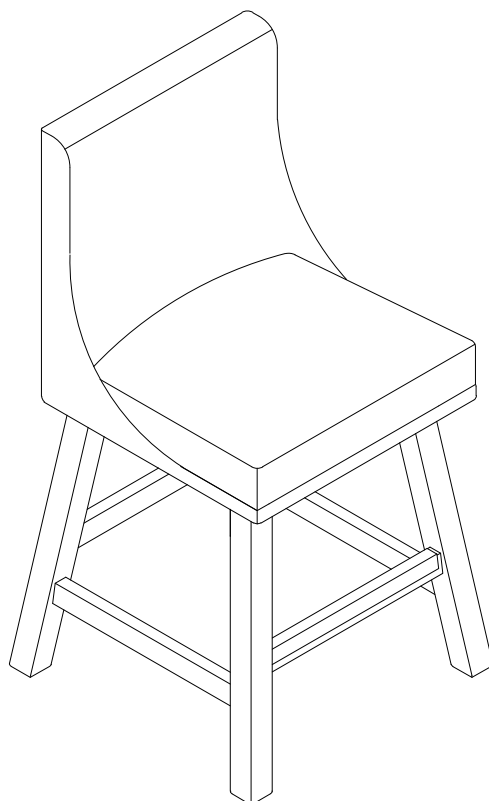
The manufacturer reserves the right to **repair or replace** defective parts based on the documentation provided. Return shipping costs are not covered unless pre-approved.

This warranty does **not** apply to items that have been moved from the original delivery location or exchanged previously under warranty.

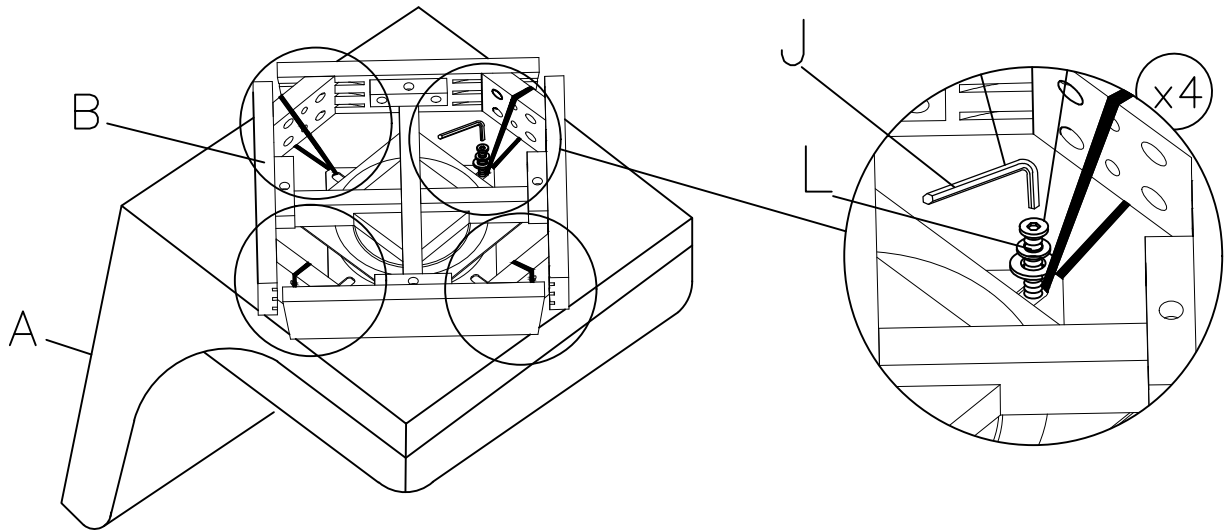
Thank you for choosing us. We appreciate your business!

Ax1 	Bx1 	Cx2 	Dx2 
Ex1 	Fx1 	Hx8 	Lx4 
Gx2 	Kx8  M4*45mm	Bolt: Ø1/4"x70mm Spring washer: Ø1/4"x10mm Flat washer: Ø1/4"x19mm	Bolt: Ø1/4"x20mm Spring washer: Ø1/4"x10mm Flat washer: Ø1/4"x19mm
Jx1  M4	 Not Included No Se Adjunto Non Indus 不提供此工具		

- ⚠ NOTE: UNIT SHOULD BE ASSEMBLED BY TWO OR MORE PEOPLE. DO NOT TIGHTEN ANY BOLTS UNTIL ALL BOLTS HAVE BEEN STARTED!
- ⚠ NOTA: ¡ESTA UNIDAD DEBE SER ARMADA POR 2 O MAS PERSONAS! NO APRIETE NINGUN PERNO HASTA QUE TODOS ESTEN EN SU LUGAR!
- ⚠ REMARQUE: LE MEUBLE DOIT ETRE ASSEMBLÉ PAR DEUX PERSONNES OU PLUS. NE BLOQUER AUCUNE VIS TANT QUE VOUS N'AVEZ PAS COMMENCE A TOUTES LES DEMARRER!
- ⚠ 注意：产品应由两个或者两个以上的人员组装。在产品组装过程中，不要锁紧螺栓！

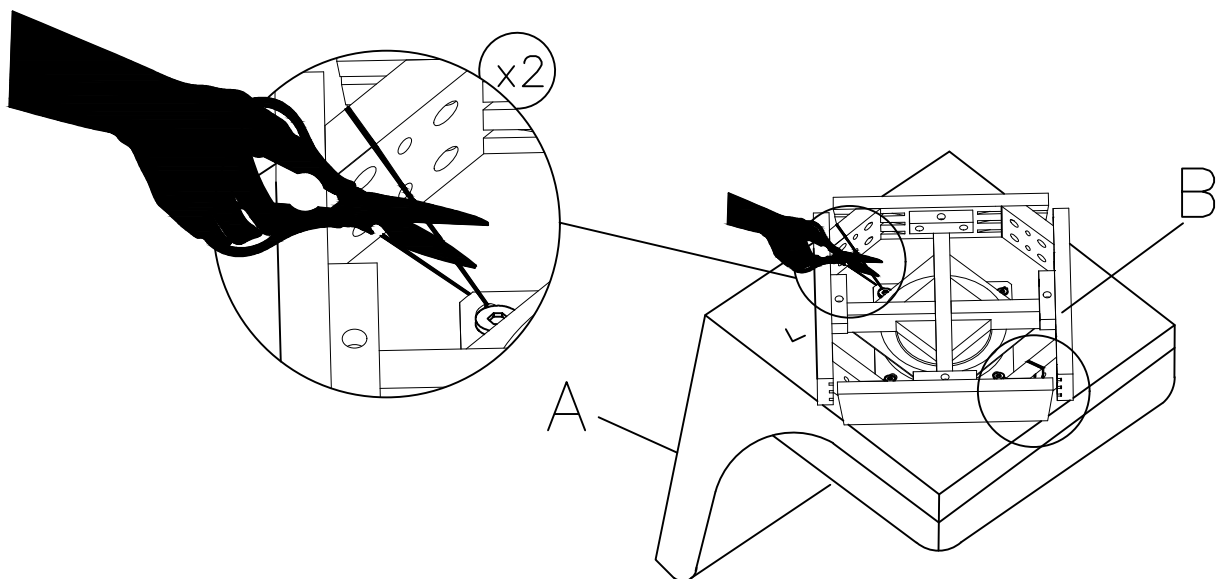


Step 1

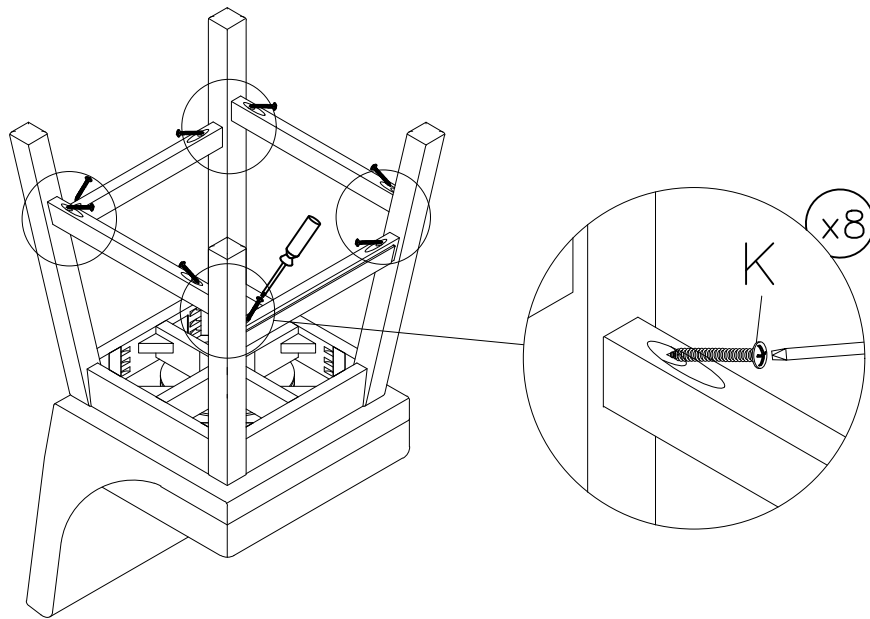


Step 2

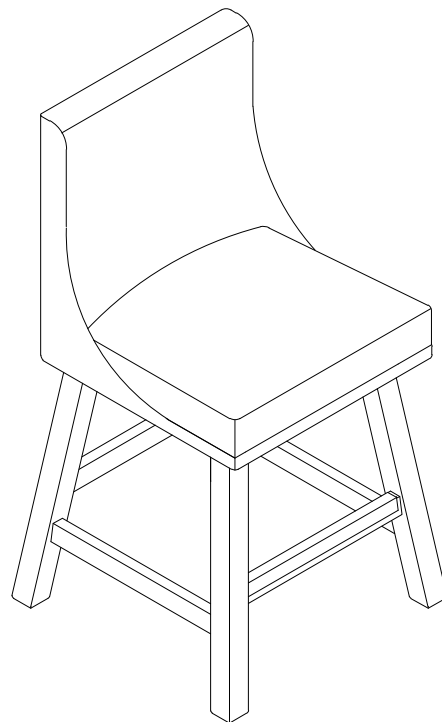
NOTE: Cut cable tie off before assembling with legs



Step 5



Step 6



NOTE: Level the chair and tighten all bolts with the allen wrench.

NOTA: Nivele la silla y aprete todos los pernos con la llave allen.

REMARQUE: Mettez la chaise droite et serrez tous les boulons avec les clés allen.

注意：如果发现椅子不稳，请用内六角扳手拧紧所有螺杆。