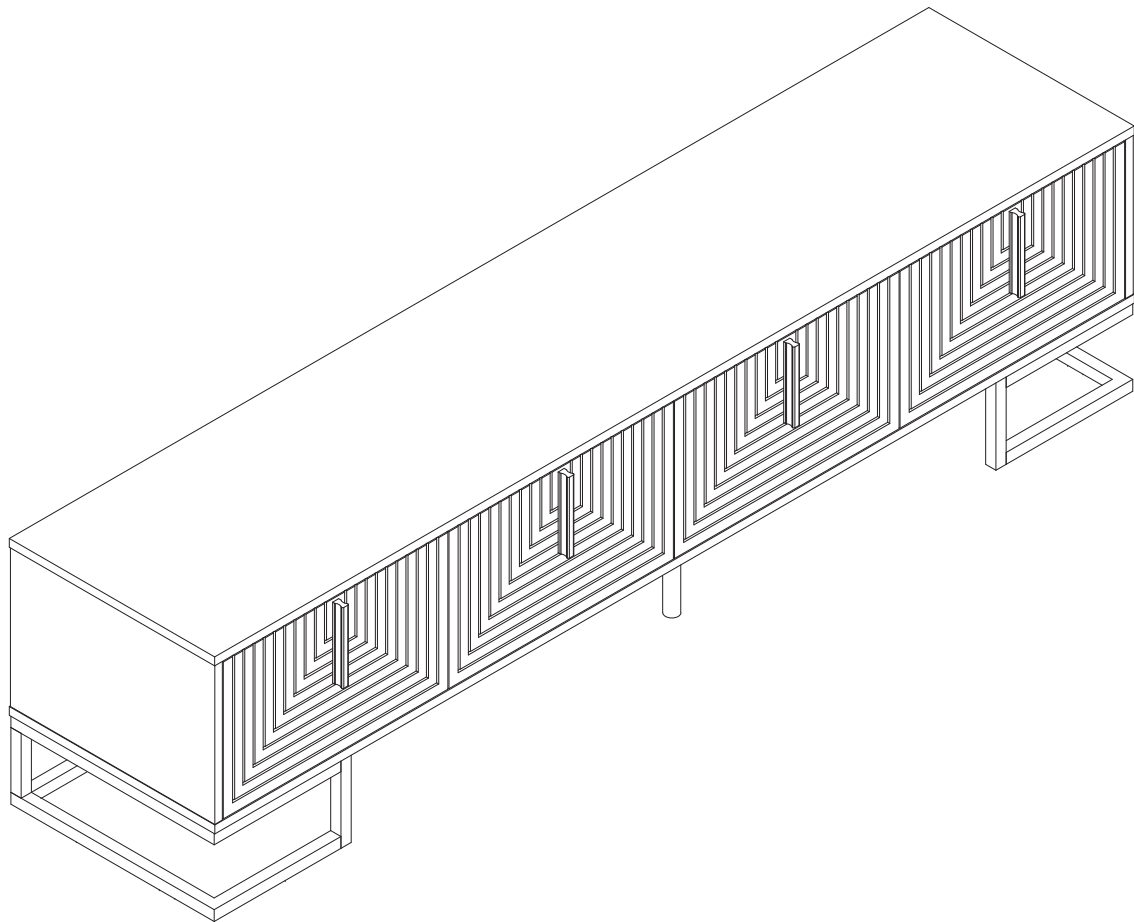


# TV Stand

Assembly Instructions - Please keep for future reference



## Dimensions

Width-70.9inch

Depth-15.7inch

Height-17.71inch

Important – Please read these instructions fully before starting assembly

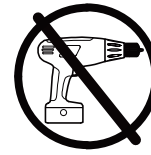


# Safety and Care Advice

**Important – Please read these instructions fully before starting assembly**

- Check you have all the components and tools listed on the following pages.
- Remove all fittings from the plastic bags and separate them into their groups.
- Keep children and animals away from the work area, small parts could choke if swallowed.
- Make sure you have enough space to layout the parts before starting.

- During assembly do not stand or put weight on the product, this could cause damage.
- Assemble the item as close to its final position (in the same room) as possible.
- Assemble on a soft level surface to avoid damaging the unit or your floor.
- Parts of the assembly will be easier with 2 people.



- To reduce the likelihood of damaging your product please ensure that your power drill is set on a low torque setting.

## Care and maintenance

- Only clean using a damp cloth and mild detergent, do not use bleach or abrasive cleaners.
- From time to time check that there are no loose screws on this unit.
- This product should not be discarded with household waste. Take to your local authority waste disposal centre.

## Handy Hints

- Assemble all parts and bolts loosely during assembly, only once the product is complete should you fully tighten the bolts
- Regularly check and ensure That all bolts and fittings are tightened properly.

**WARNING**  
**In order to help prevent overturning – please follow these instructions**

To help prevent product toppling over please follow the below steps:-

- Use the anti tip step or wall fixing method provided (if applicable)
- Do not allow children to climb or hang on the furniture
- Do not open more than one drawer at a time
- Do not place heavy items in the top drawers
- Do not place heavy items on top of the furniture, unless the furniture has been designed for this purpose

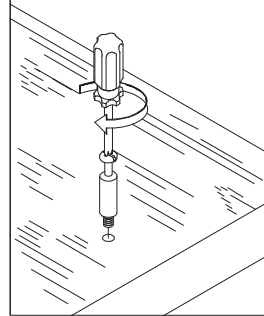
# Using Camlocks

## Step 1

Connect the male camlock as directed in the assembly instructions using a screwdriver.

1

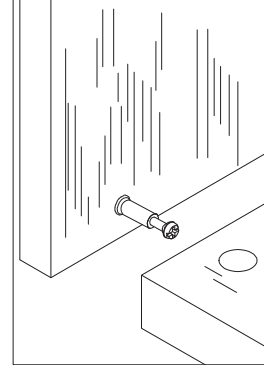
DO NOT OVER TIGHTEN.  
NE PAS SERRER EXCESSIVEMENT.



## Step 2

Push the male camlock into the entry hole.

2

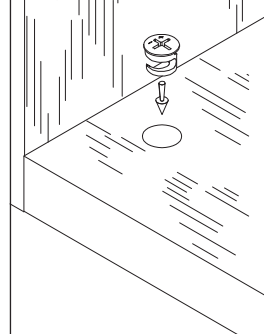


## Step 3

Insert the female camlock as shown in the instruction.

Note: ensure that the arrow on the top of the camlock points towards the entry hole for the male camlock.

3



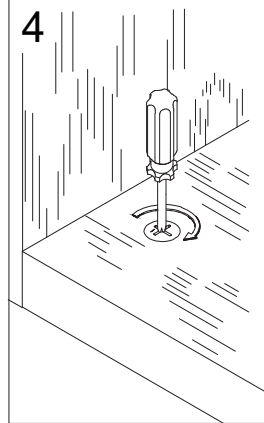
## Step 4

Turn the female camlock clockwise with a screwdriver.

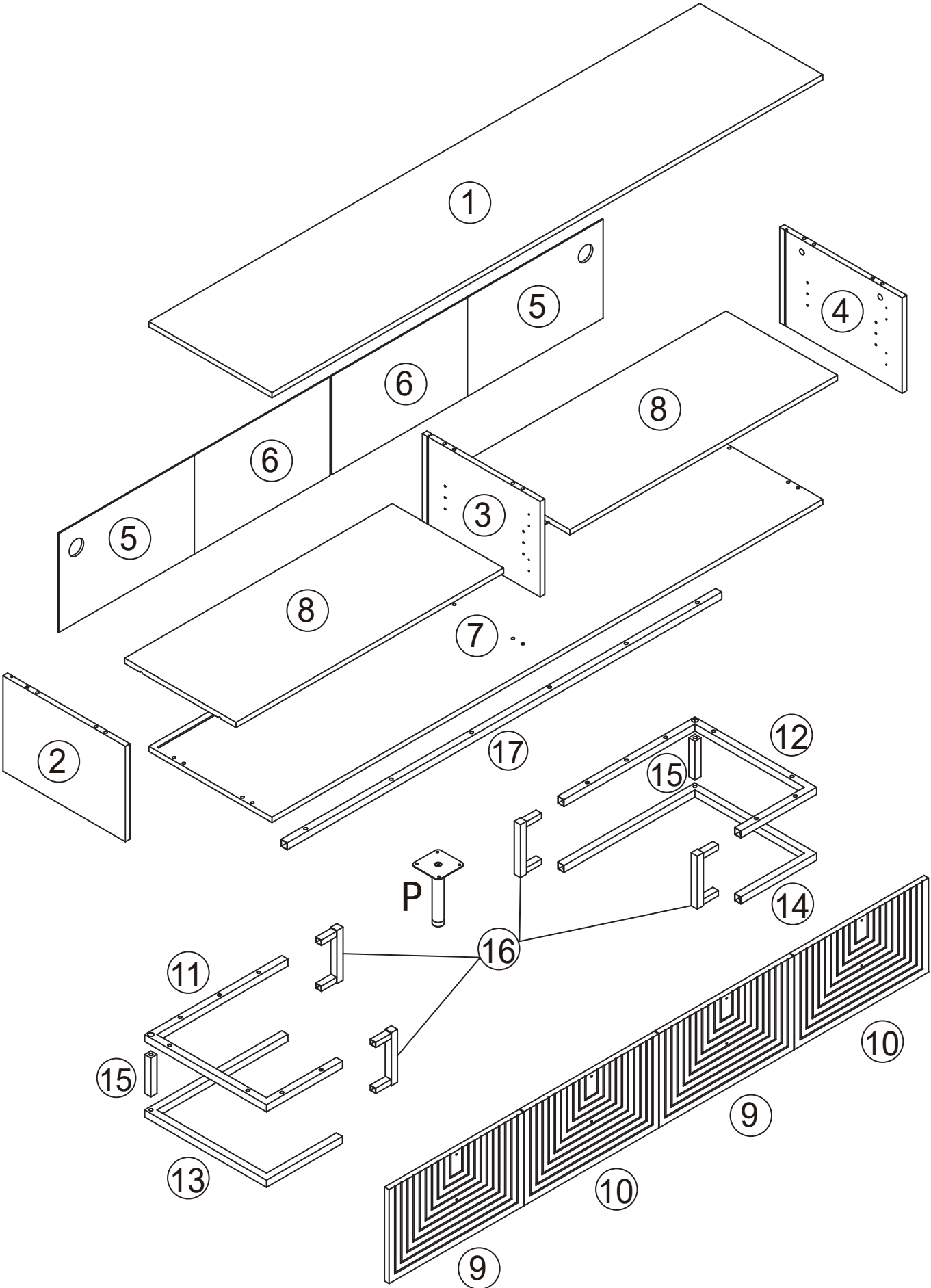
You should feel a click when the camlock is locked in place.

The joint is now secure.

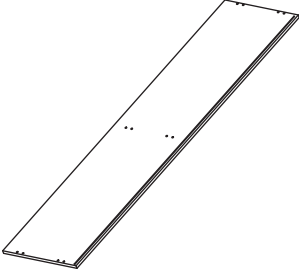
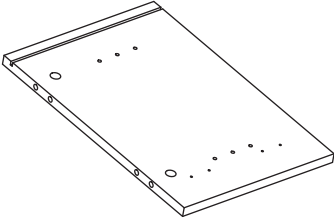
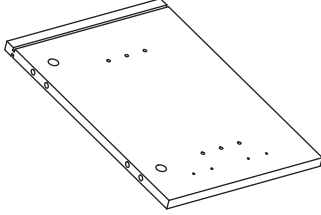
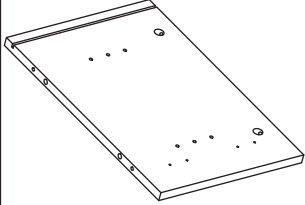
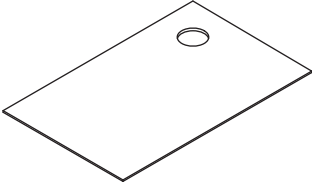
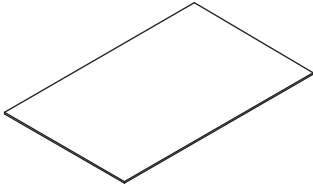
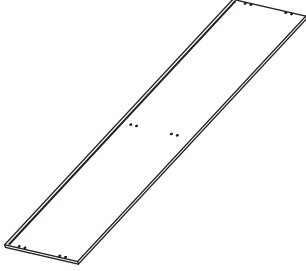
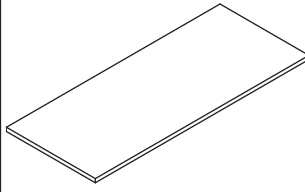
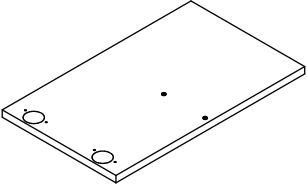
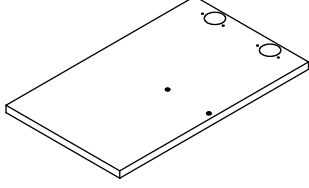
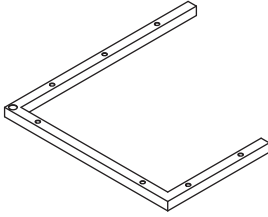
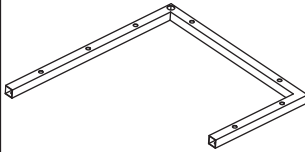
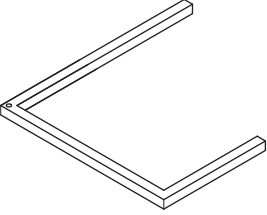
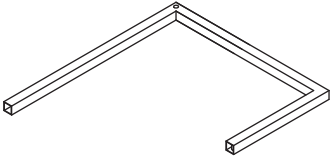

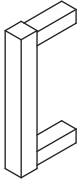
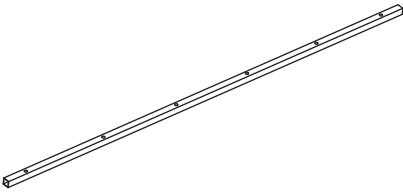
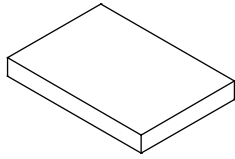
4



# Assembly Instructions



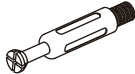

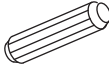
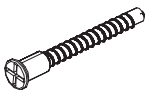
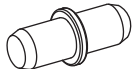
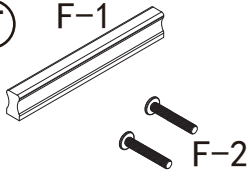
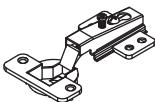
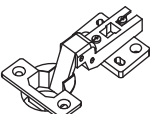
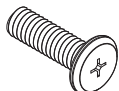

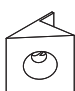
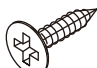

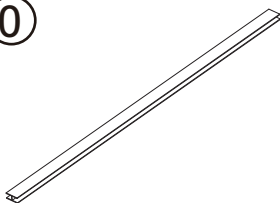
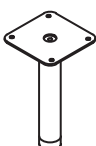

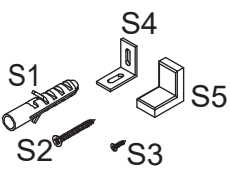
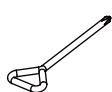
# Assembly Instructions

			
1800*400*15mm	270*400*15mm	270*383*15mm	270*400*15mm
① x 1	② x 1	③ x 1	④ x 1
			
442*280*3mm	442*280*3mm	1800*400*15mm	874.5*360*12mm
⑤ x 2	⑥ x 2	⑦ x 1	⑧ x 2
			
439*264*15mm	439*264*15mm	448*398*20mm	448*398*20mm
⑨ x 2	⑩ x 2	⑪ x 1	⑫ x 1
			
448*398*20mm	448*398*20mm	110*20*20mm	150*70*20mm
⑬ x 1	⑭ x 1	⑮ x 2	⑯ x 4
			
1420*20*20mm	Hardware Pack X1		
⑰ x 1			

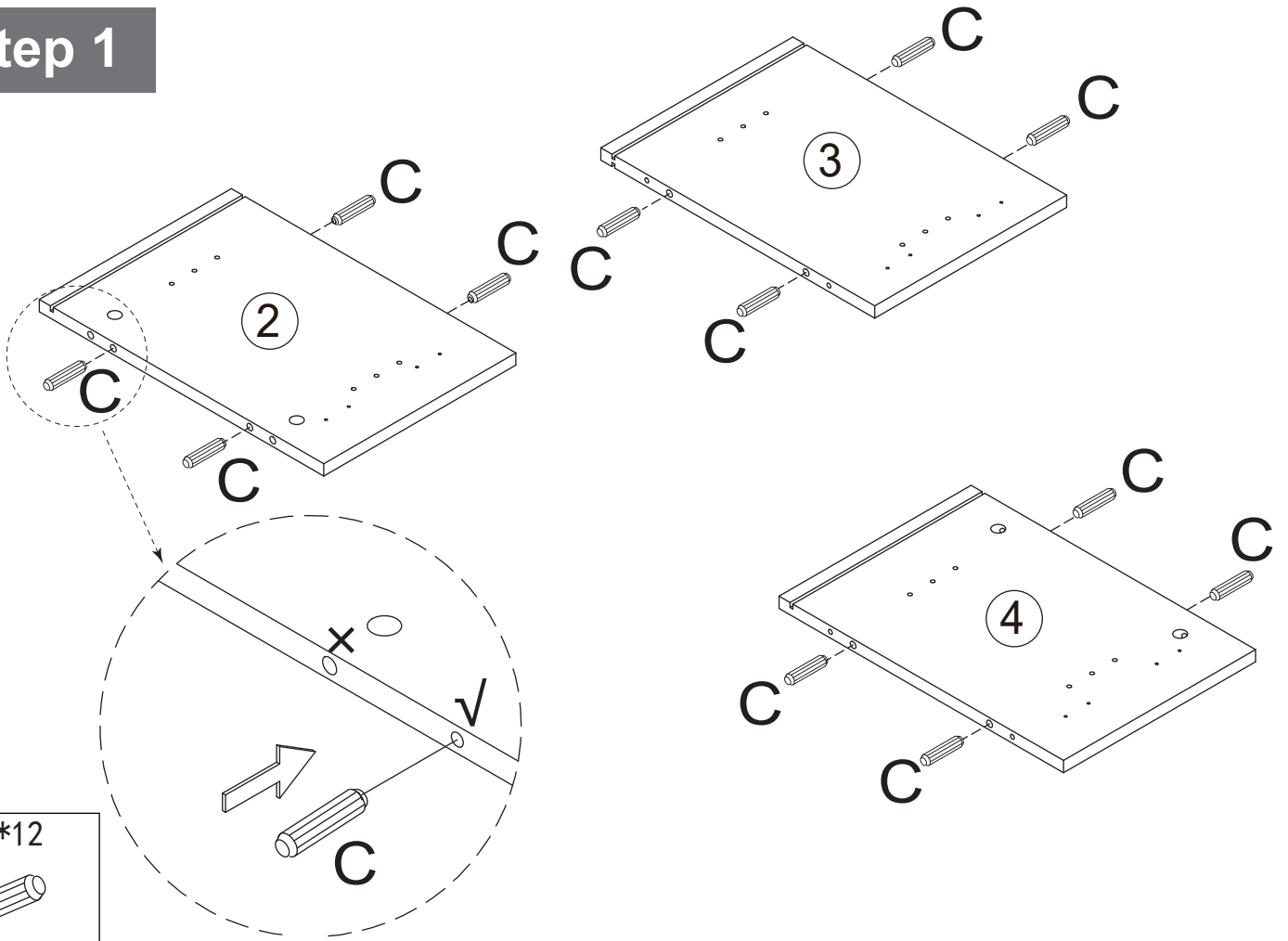
# Components-Fittings

Please check you have all the panels listed below

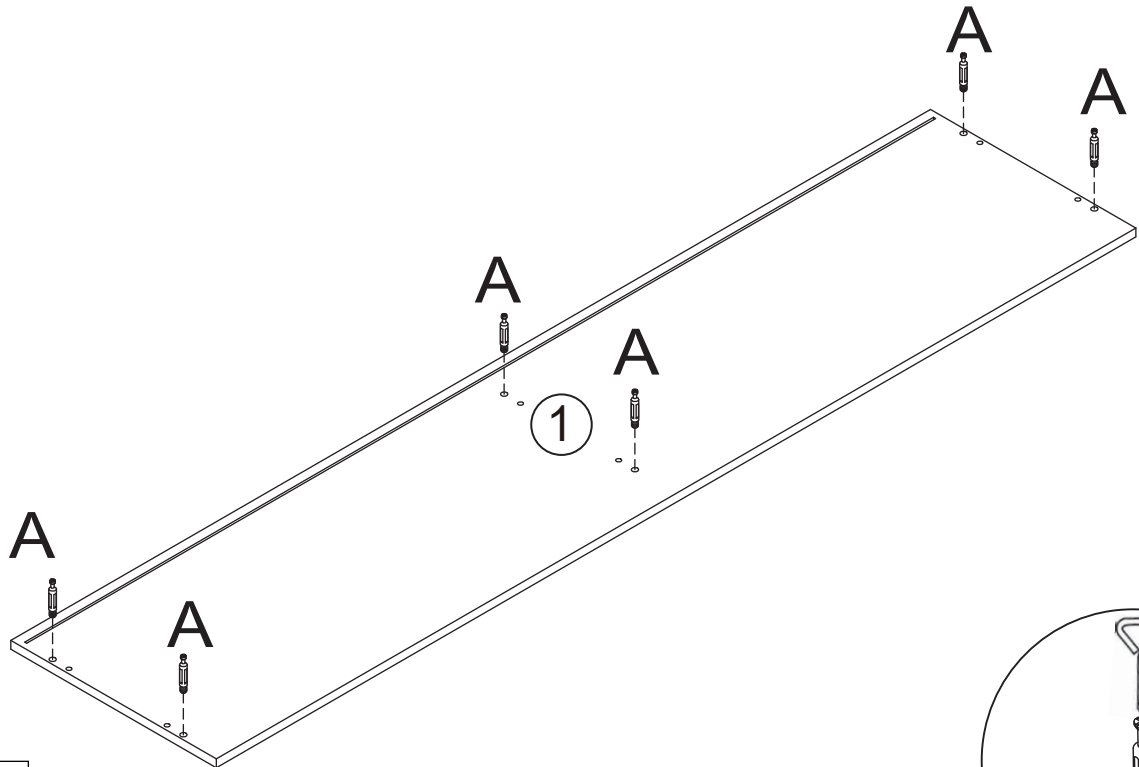
Note: The quantities below are the correct amount to complete the assembly. In some cases more fittings may be supplied than are required.

<p><b>(A)</b></p>  <p>Cam Bolt x 6+1</p>	<p><b>(B)</b></p>  <p>Cam Lock x 6+1</p>	<p><b>(C)</b></p>  <p>8*30mm Dowel x 12+2</p>	<p><b>(D)</b></p>  <p>5*40mm Screw x 6+1</p>
<p><b>(E)</b></p>  <p>Metal shelf support x 8+1</p>	<p><b>(F)</b></p>  <p>Handle x 4</p>	<p><b>(G)</b> Half Overlay Hinge Package Color: Red</p>  <p>Hinge x 4</p>	<p><b>(H)</b> Full Inset Hinge</p>  <p>Handle x 4</p>
<p><b>(J)</b></p>  <p>6*15mm Screw x 16+2</p>	<p><b>(K)</b></p>  <p>6*30mm Screw x 24+2</p>	<p><b>(L)</b></p>  <p>Back panel buckle x 12+2</p>	<p><b>(M)</b></p>  <p>3.5*12mm Screw x 64+2</p>
<p><b>(N)</b></p>  <p>Hole to stick x 6+1</p>	<p><b>(O)</b></p>  <p>267mm Dorsal strip x 2</p>	<p><b>(P)</b></p>  <p>Foot x 1</p>	<p><b>(R)</b></p>  <p>felt x 20+2</p>
<p><b>(S)</b></p>  <p>Anti dumping x 2 set</p>	 <p>Screwdriver x 1</p>		

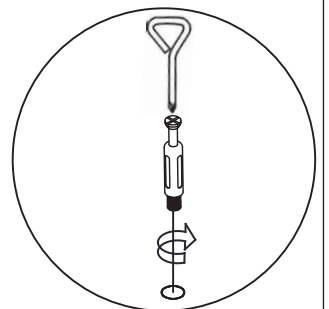
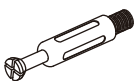
# Step 1



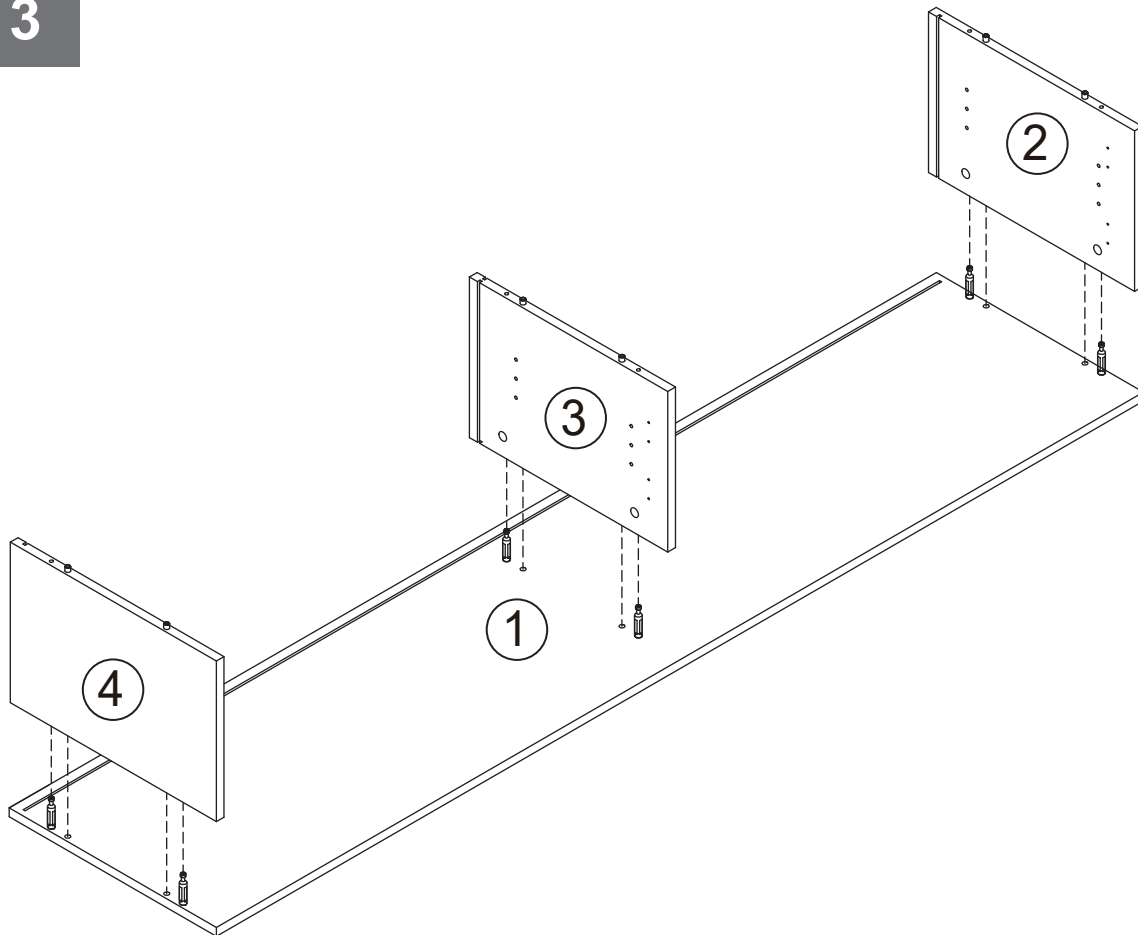
# Step 2



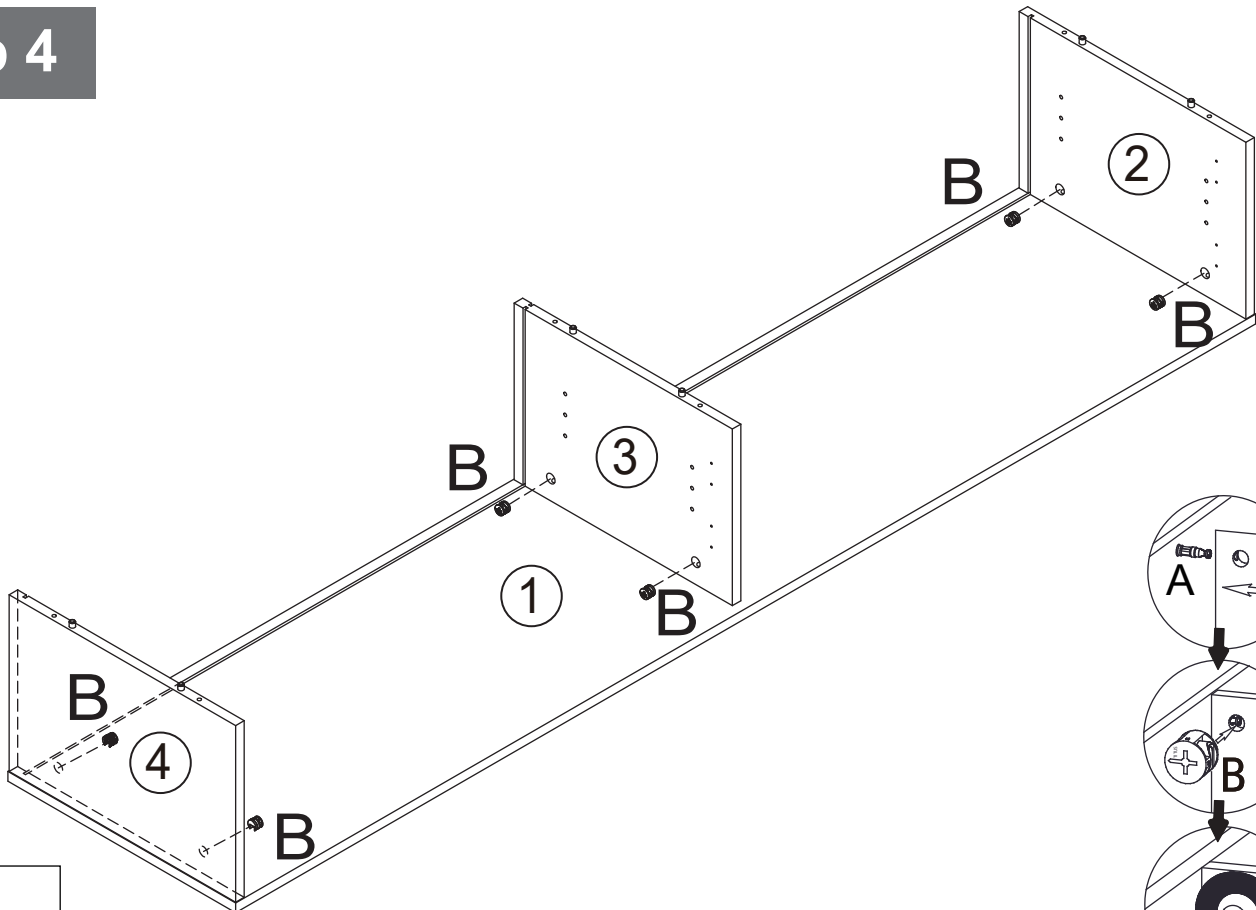
A\*6



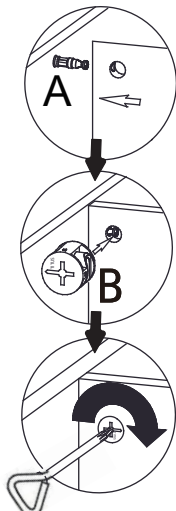
# Step 3



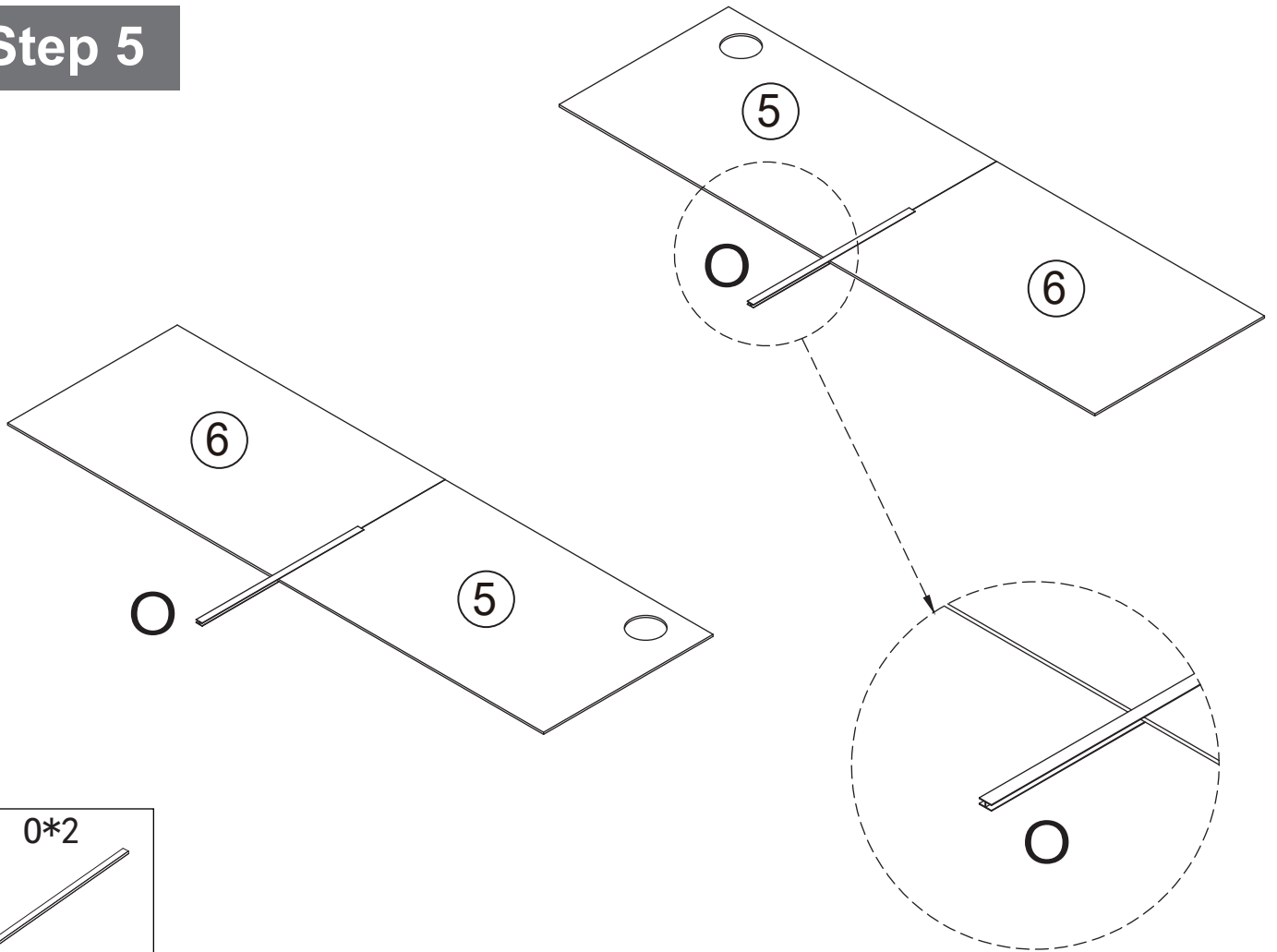
# Step 4



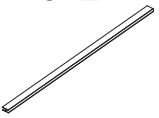
B\*6



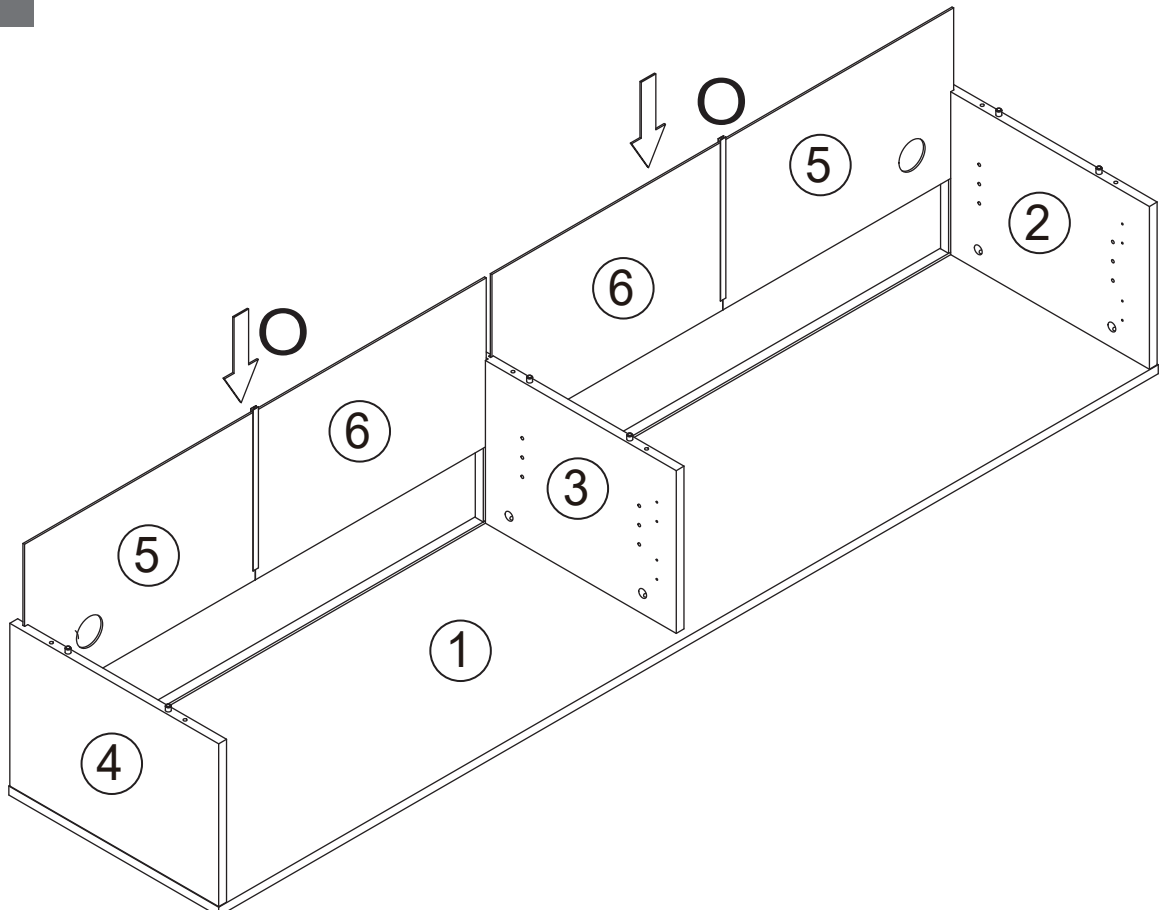
## Step 5



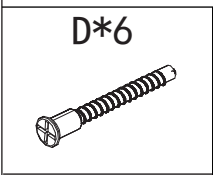
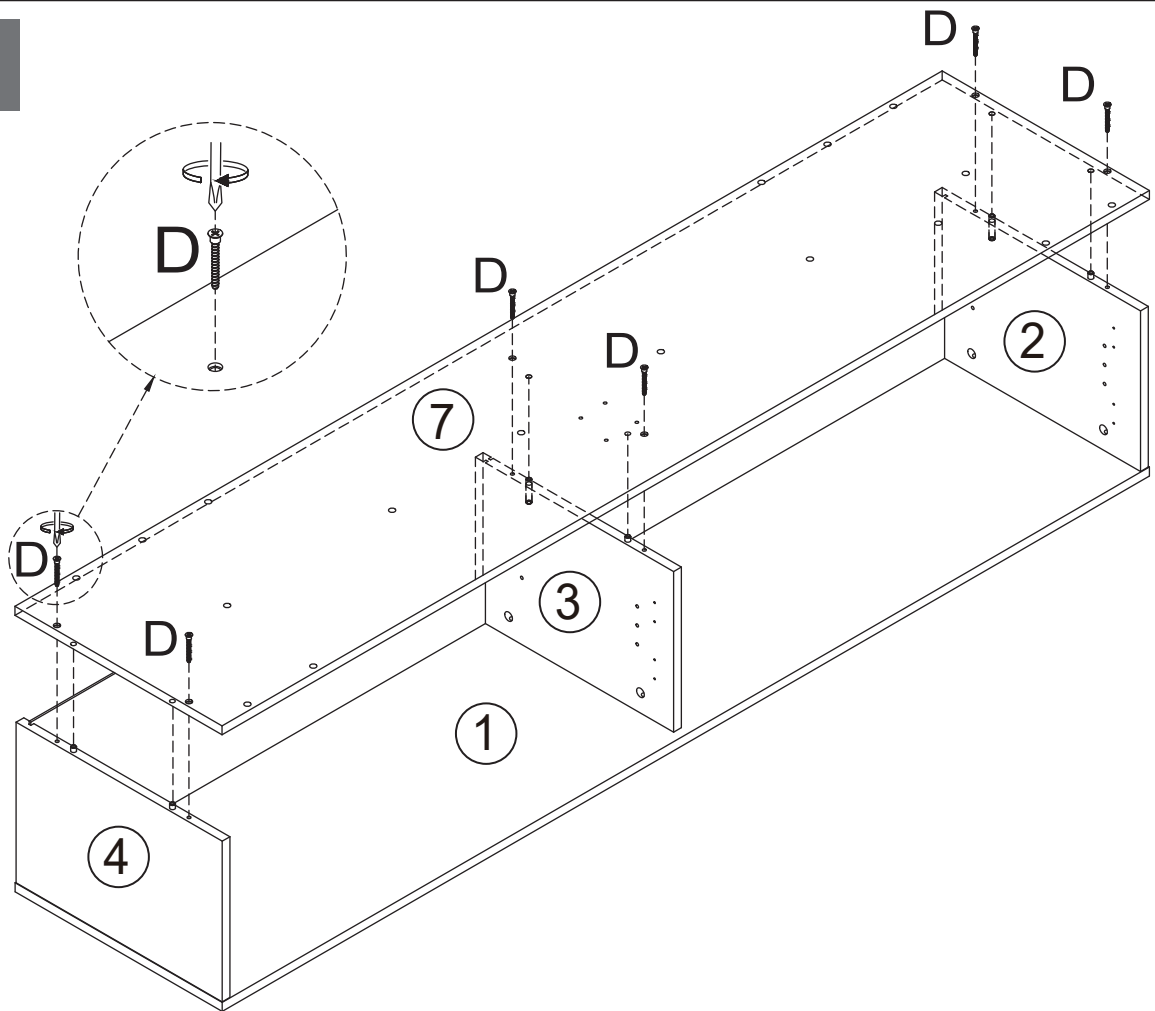
0\*2



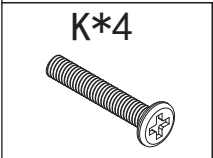
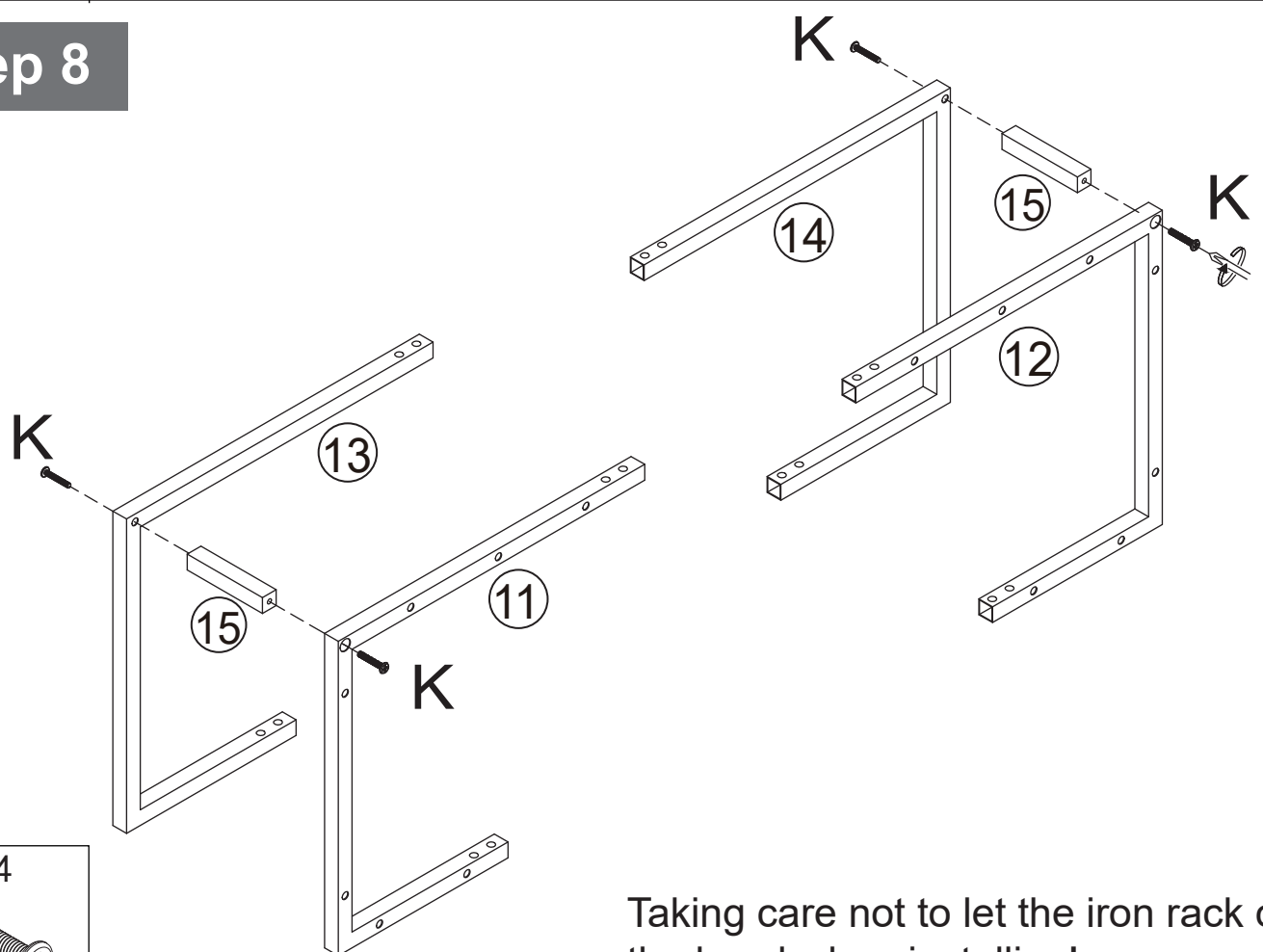
## Step 6



# Step 7

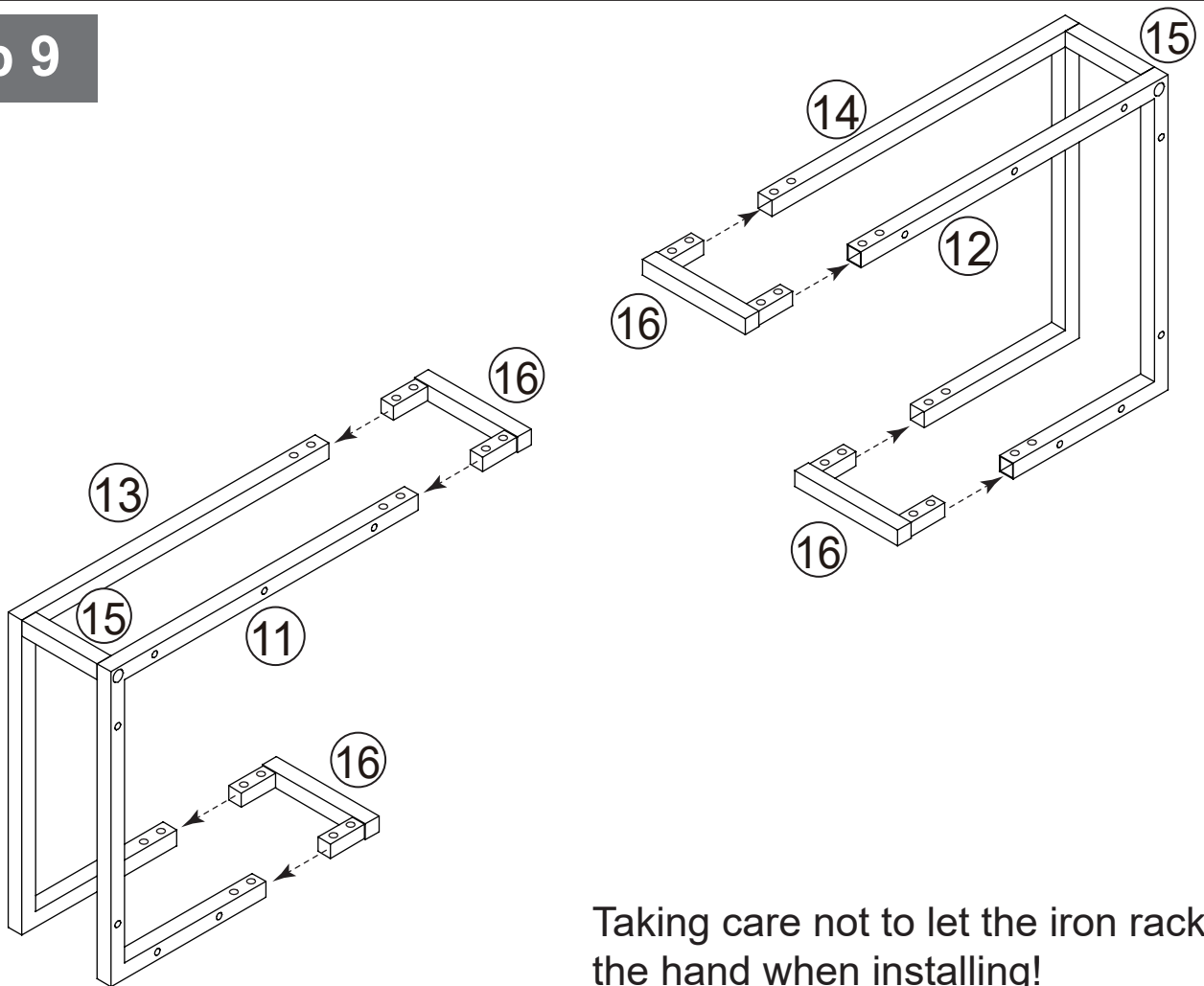


# Step 8



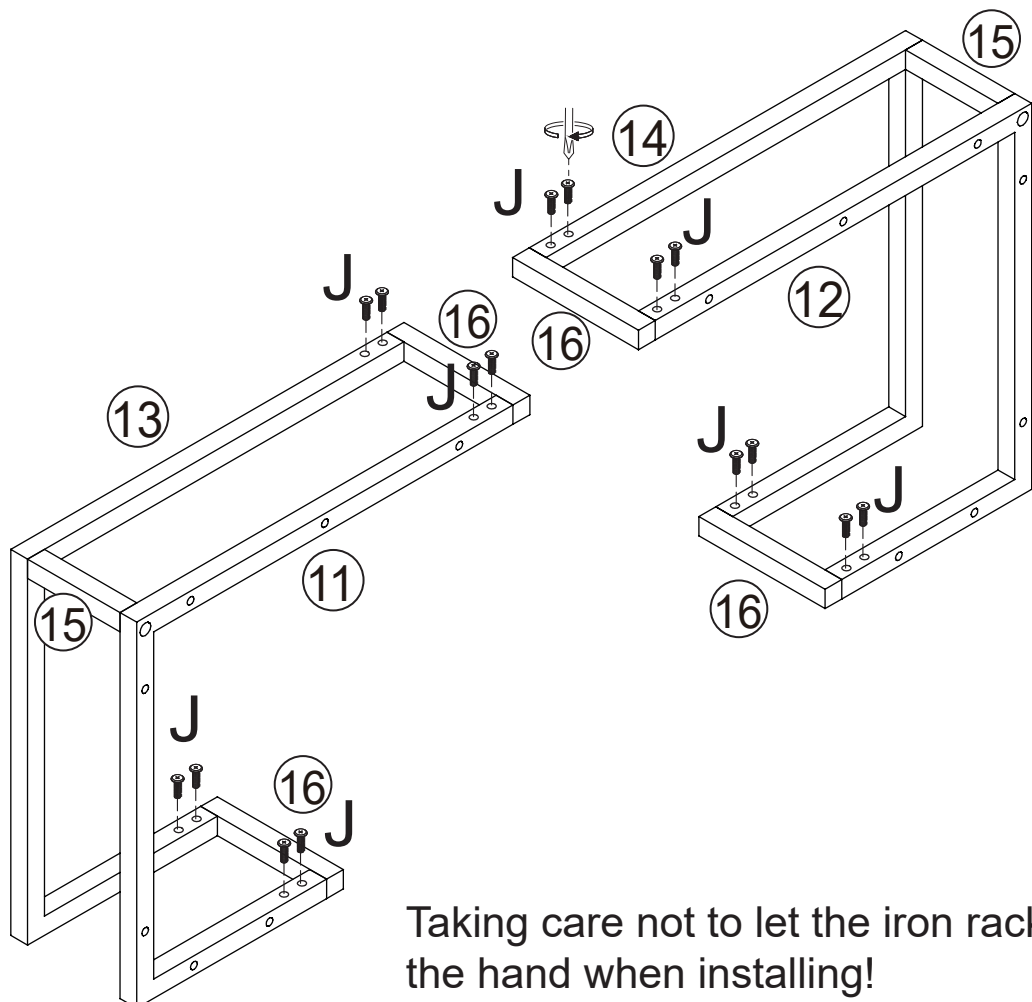
Taking care not to let the iron rack on the hand when installing!

## Step 9

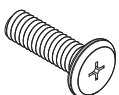


Taking care not to let the iron rack on the hand when installing!

## Step 10

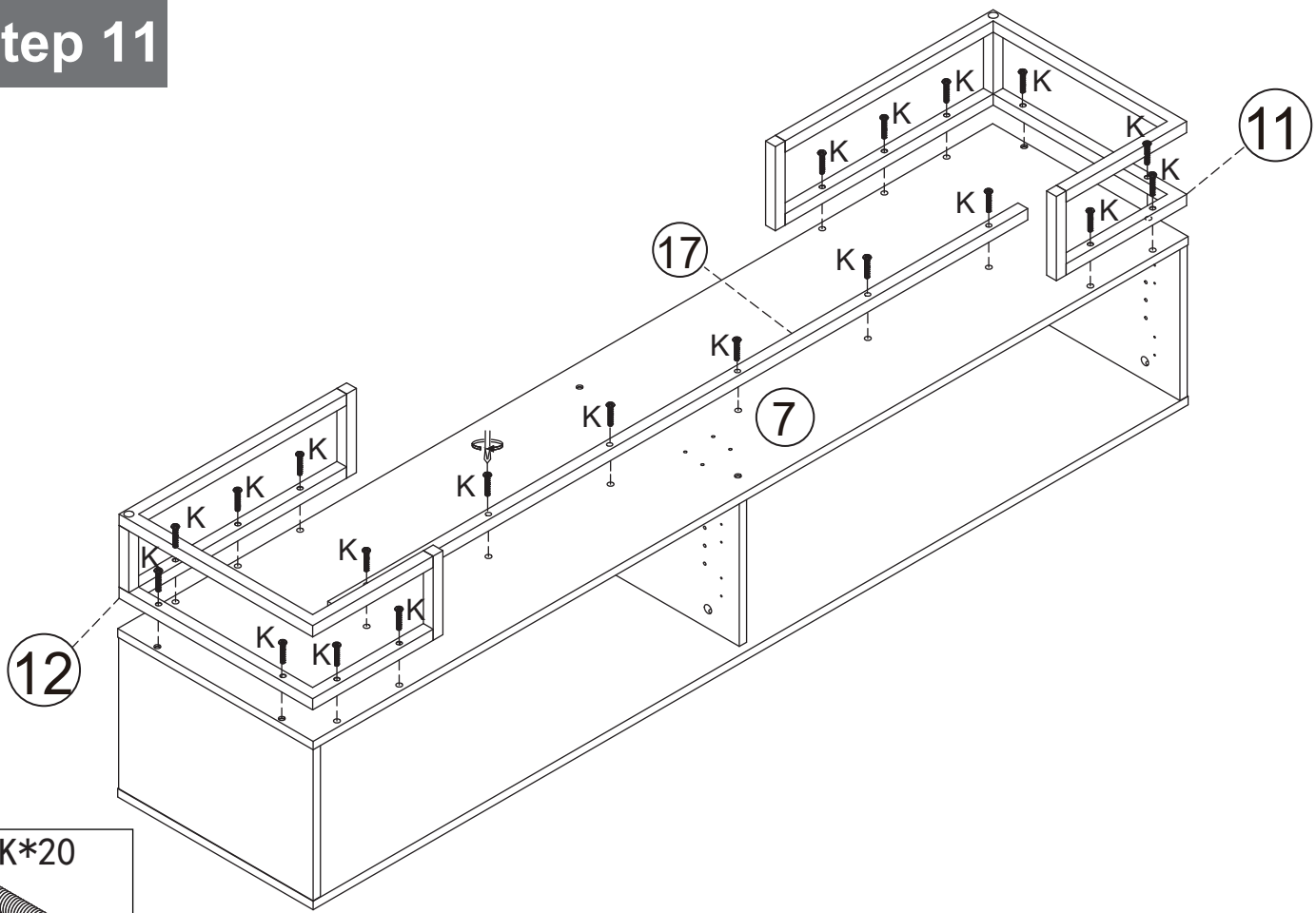


J\*16

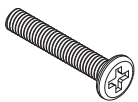


Taking care not to let the iron rack on the hand when installing!

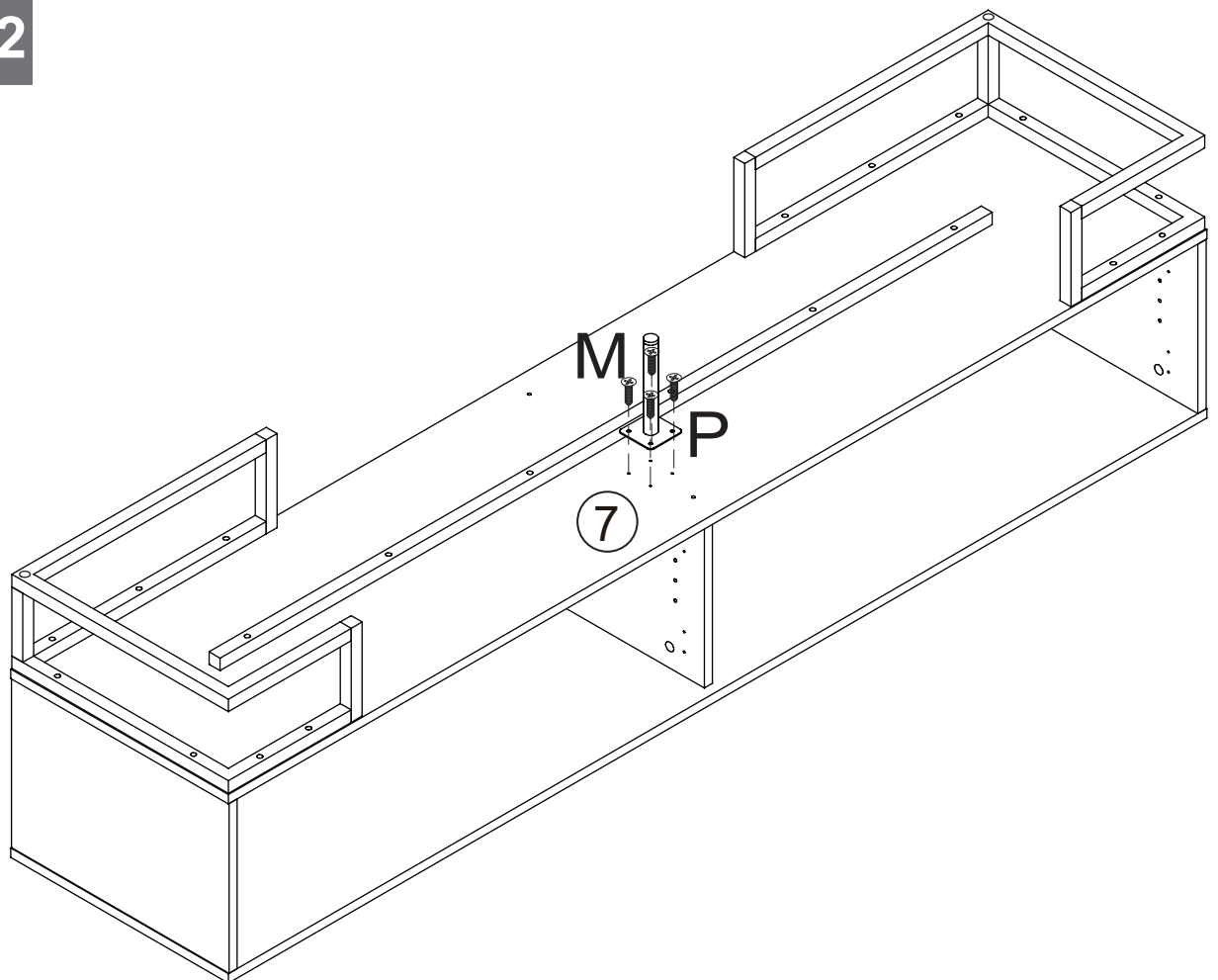
# Step 11



K\*20



# Step 12



M\*4

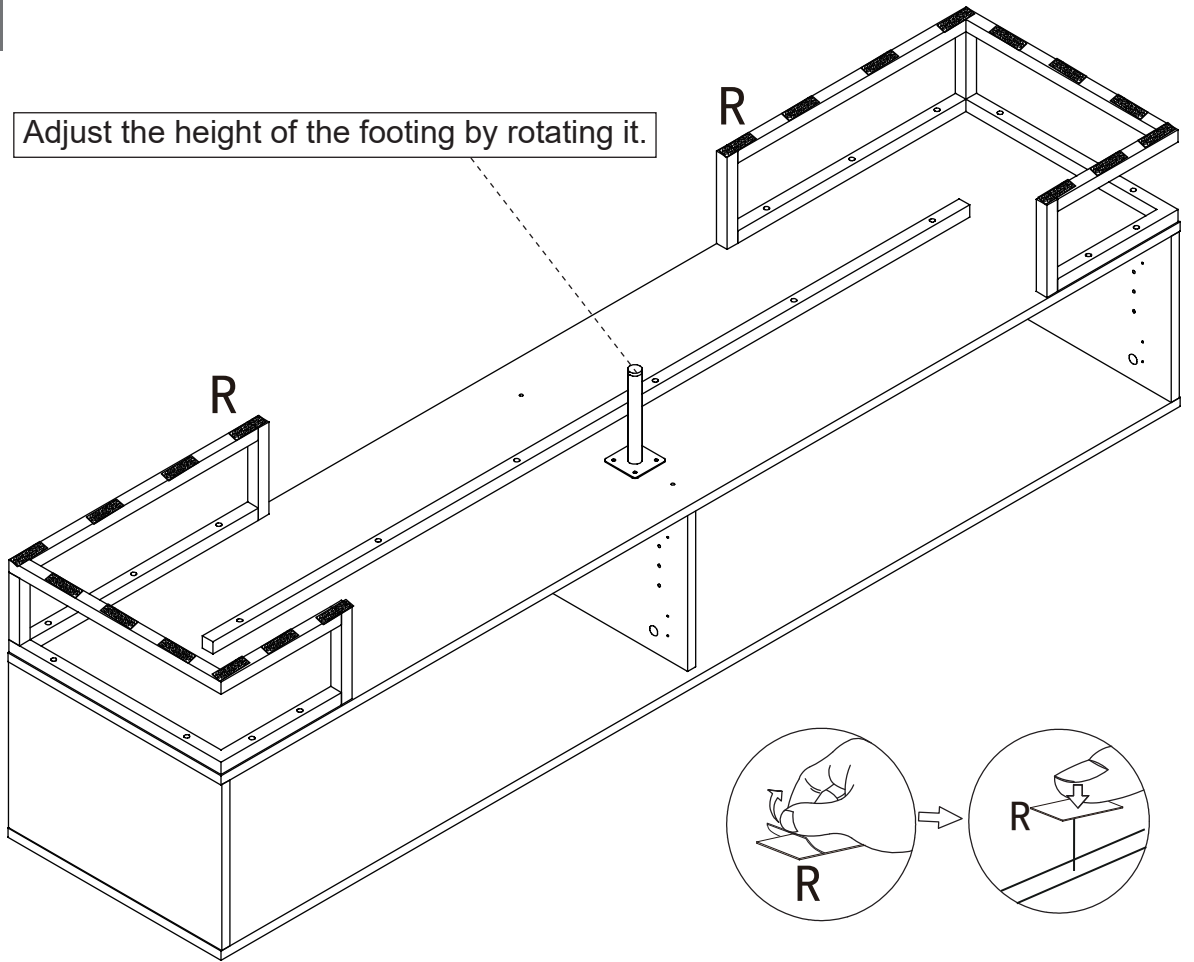


P\*1



# Step 13

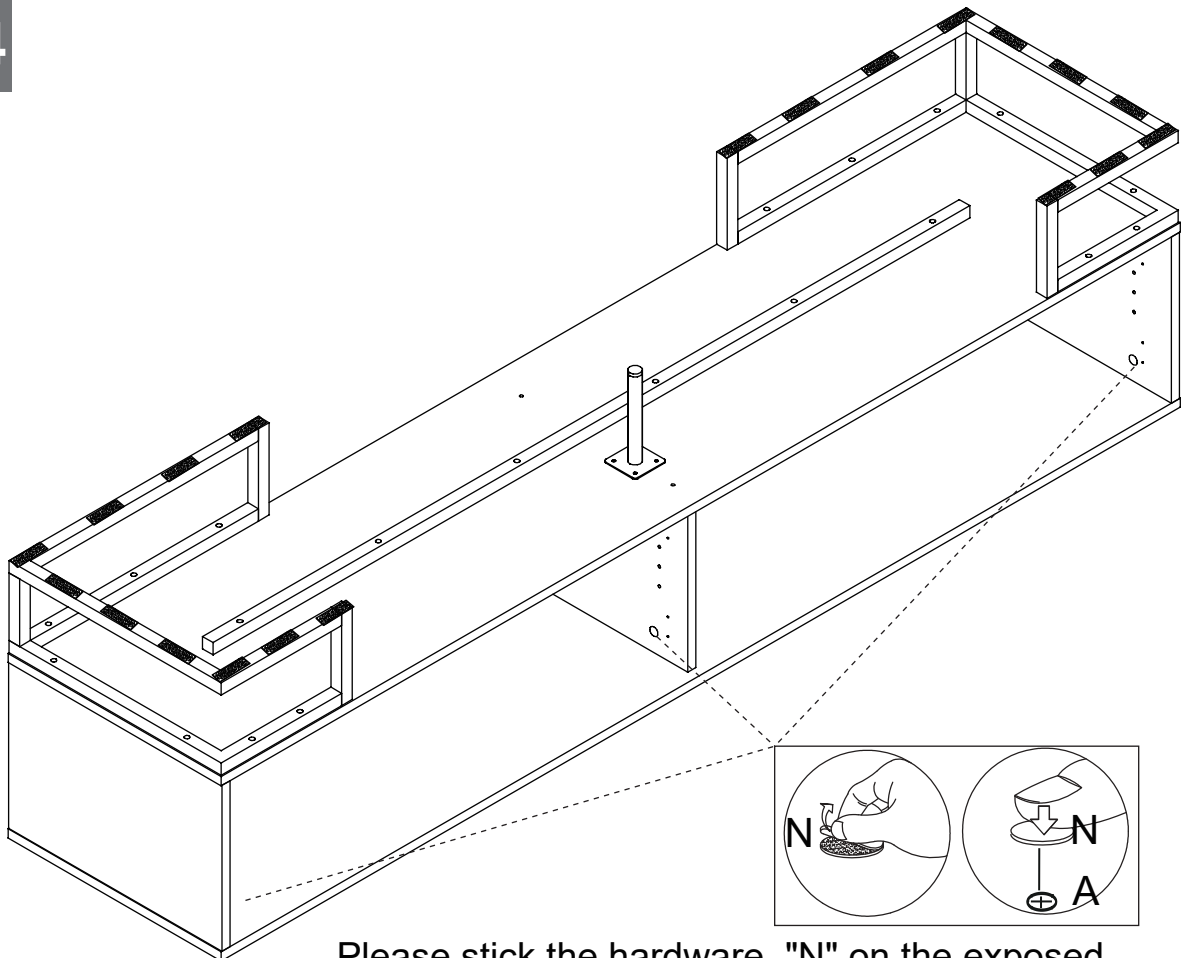
Adjust the height of the footing by rotating it.



R\*20



# Step 14



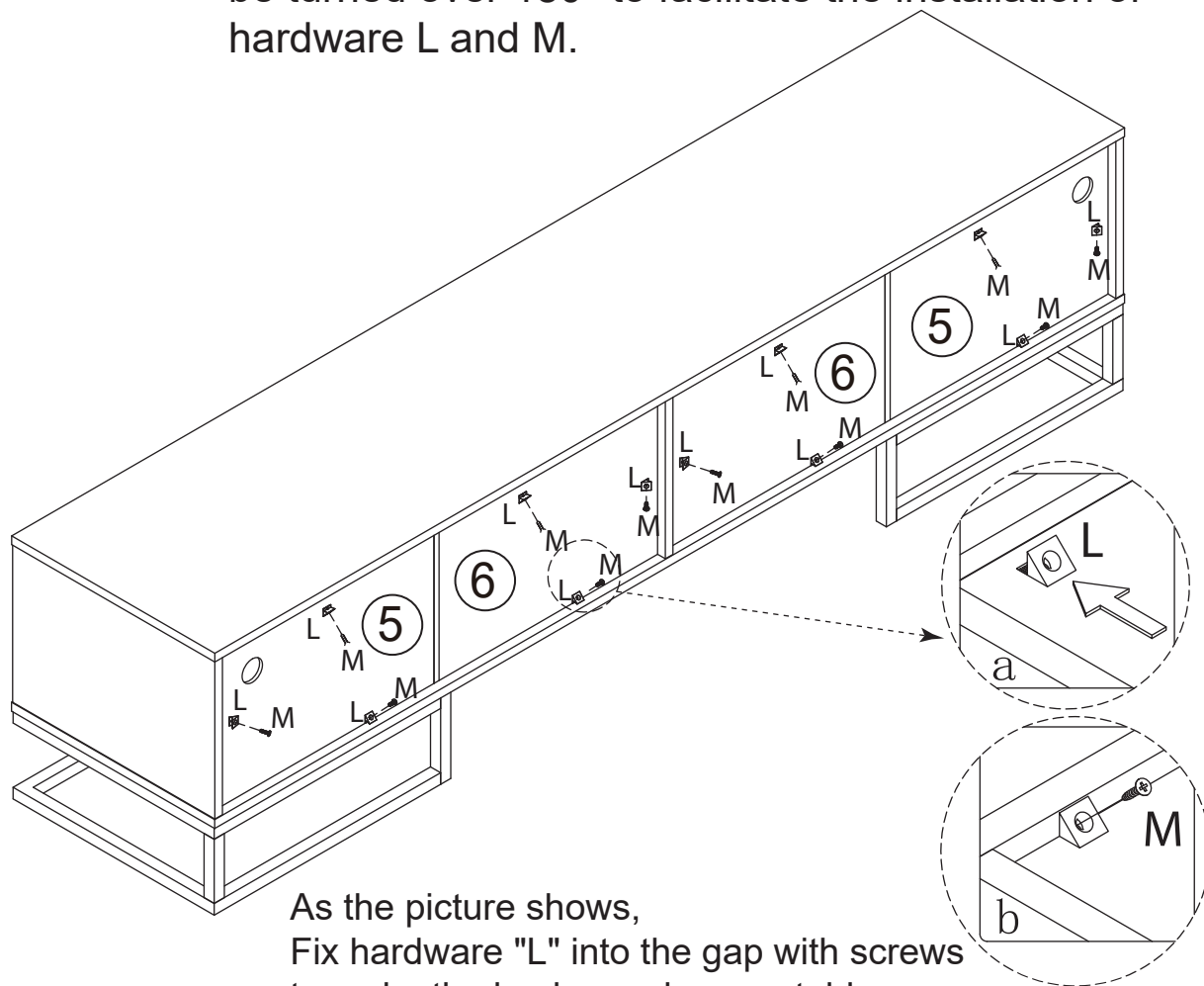
N\*6



Please stick the hardware "N" on the exposed cam lock hole that makes your product more beautiful.

## Step 15

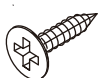
After the completion of step 14, the cabinet needs to be turned over 180° to facilitate the installation of hardware L and M.



L\*12

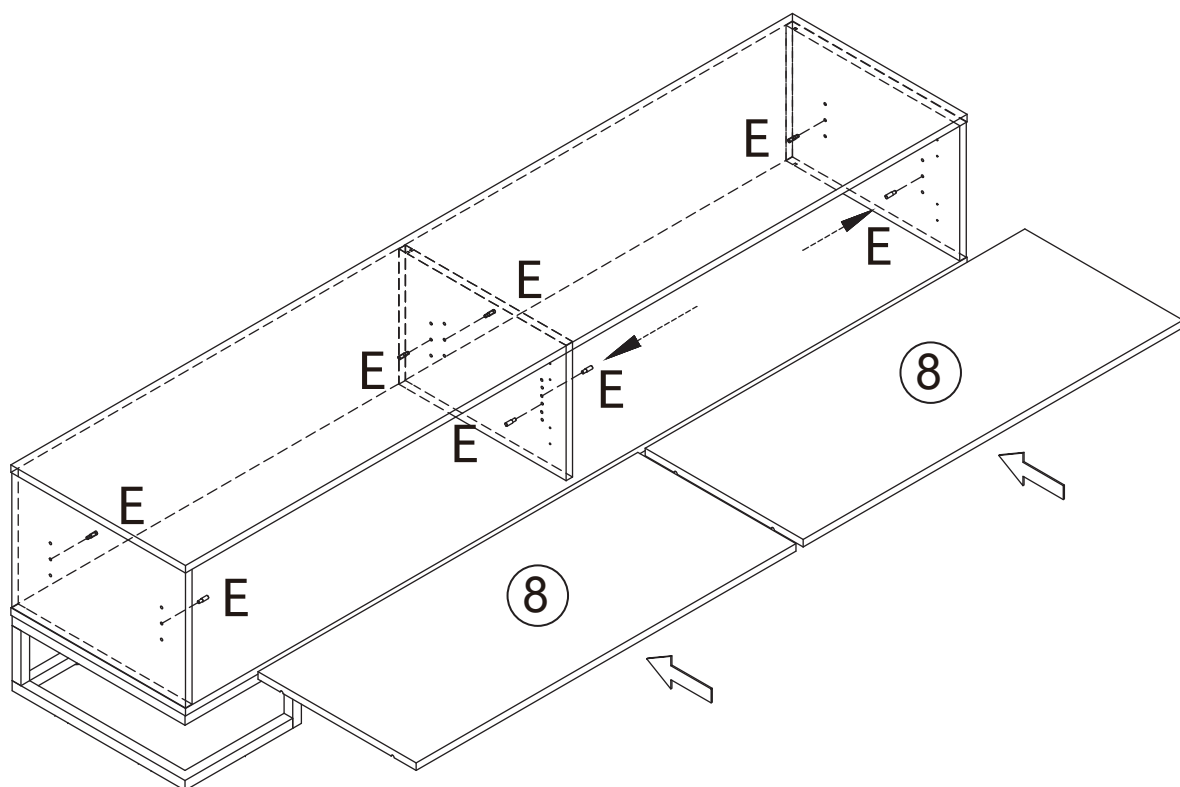


M\*12

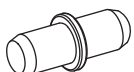


As the picture shows,  
Fix hardware "L" into the gap with screws  
to make the back panel more stable.

## Step 16

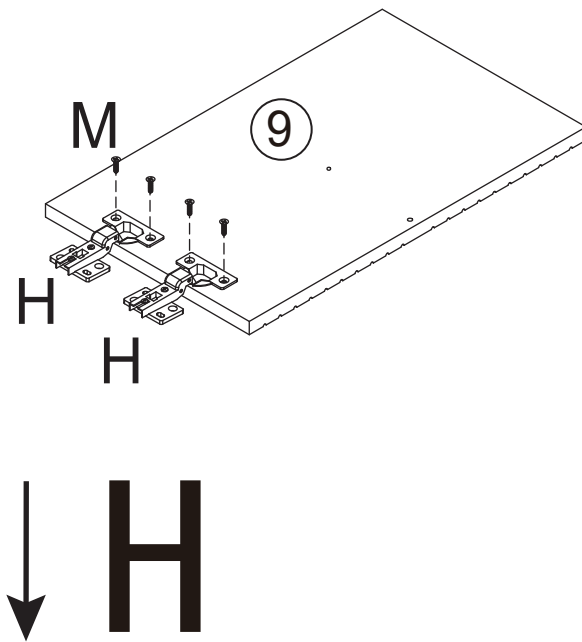


E\*8

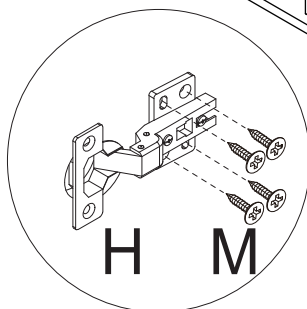
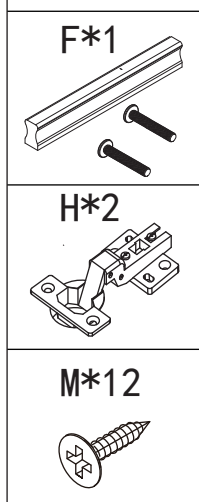
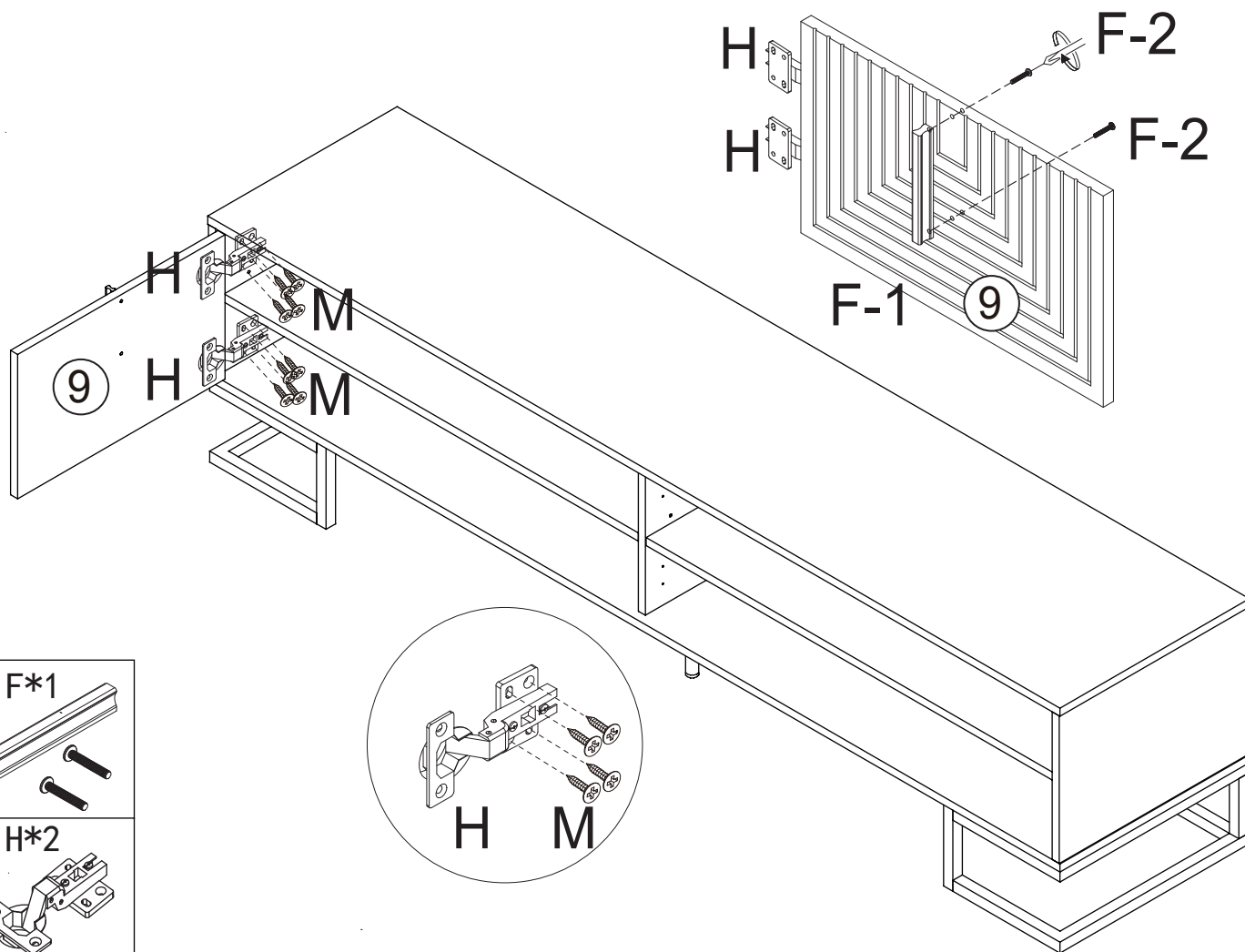


# Step 17

Please carefully distinguish between G and H hinges during the installation steps and adhere strictly to the instructions in their prescribed order to avoid any installation errors.

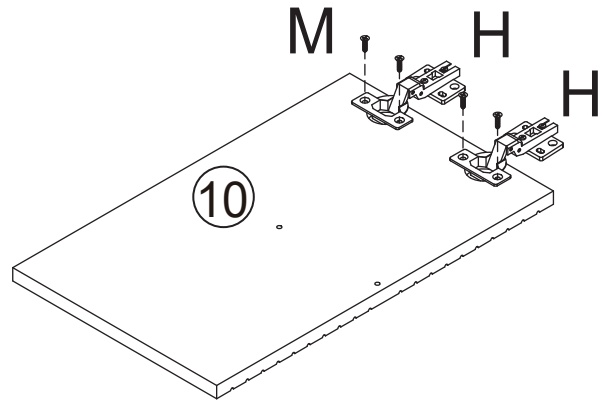


Note: The packaging bag features red marking to easily distinguish between the two types of hinges. (G : Red)

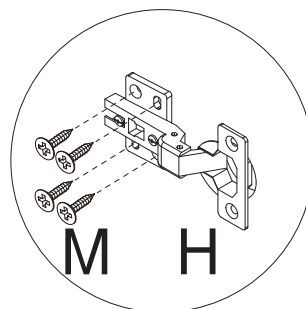
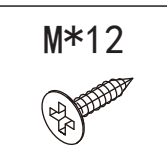
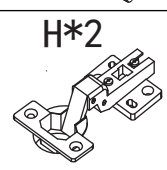
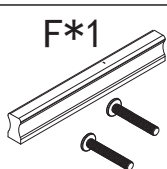
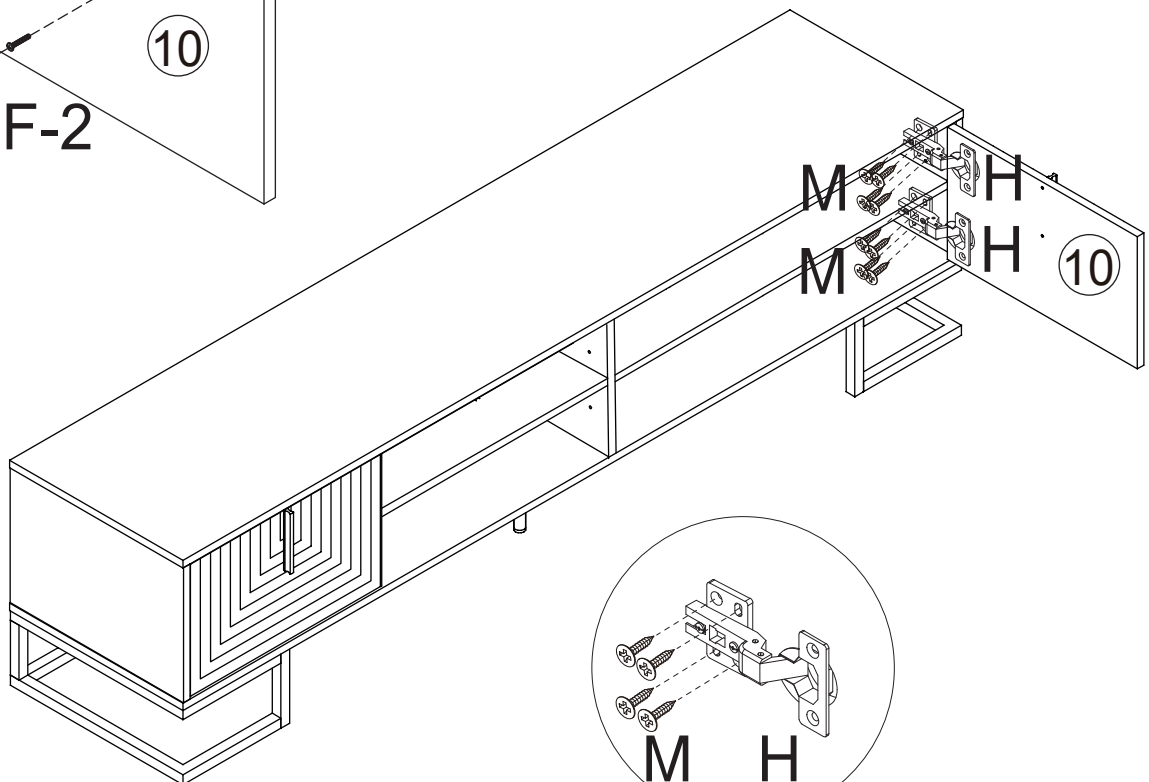
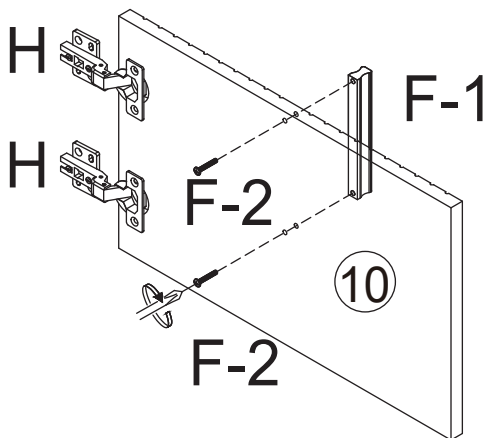


# Step 18

Please carefully distinguish between G and H hinges during the installation steps and adhere strictly to the instructions in their prescribed order to avoid any installation errors.

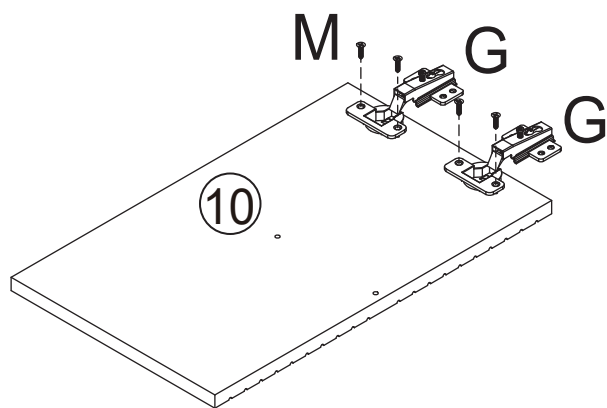


Note: The packaging bag features red marking to easily distinguish between the two types of hinges. (G : Red)

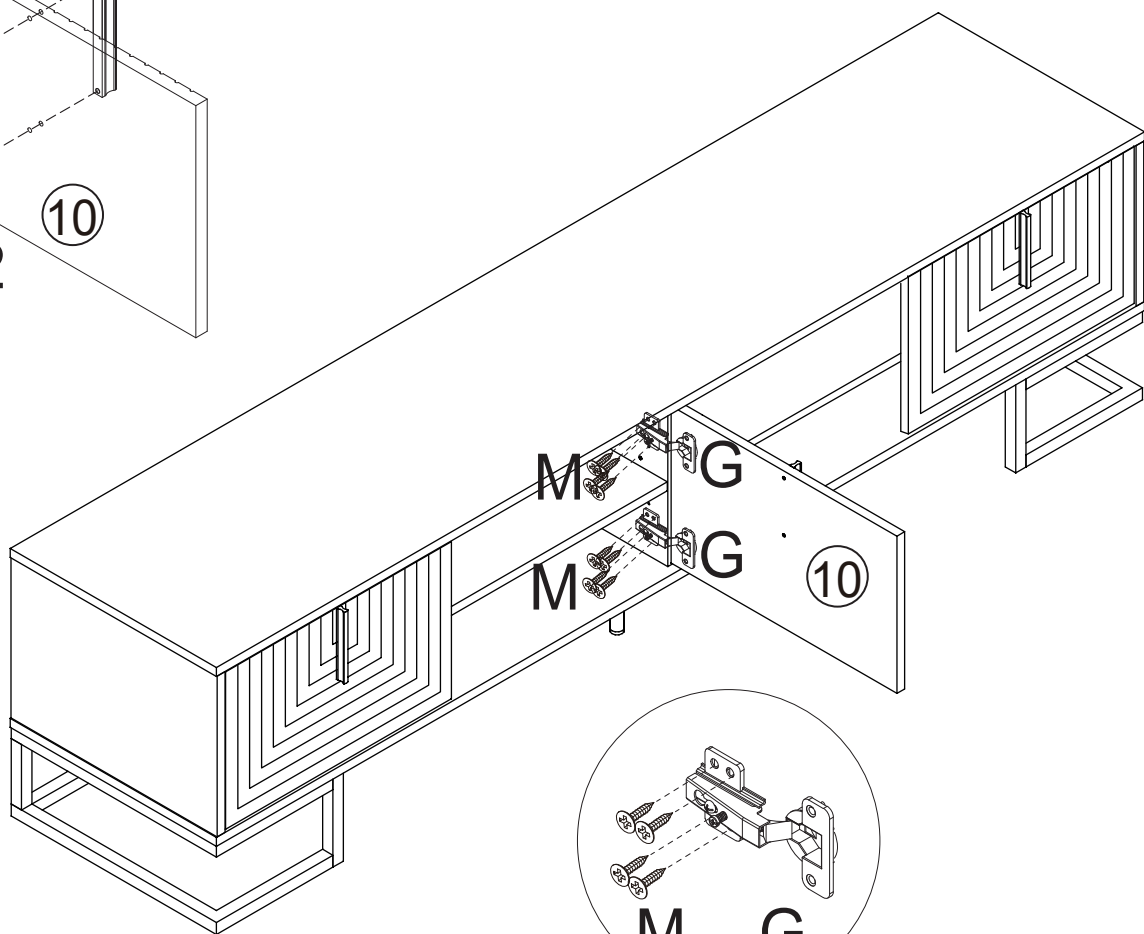
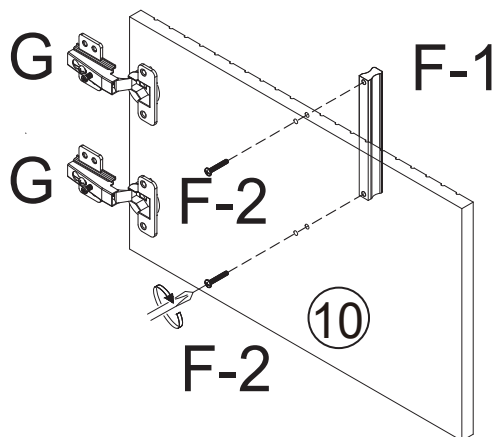


## Step 19

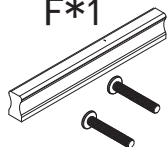
Please carefully distinguish between G and H hinges during the installation steps and adhere strictly to the instructions in their prescribed order to avoid any installation errors.



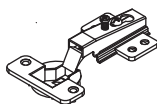
Note: The packaging bag features red marking to easily distinguish between the two types of hinges. (G : Red)



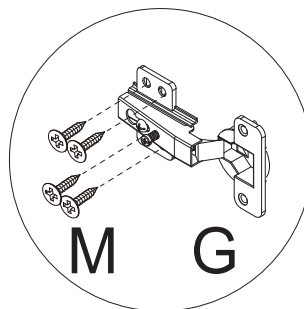
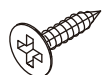
F\*1



G\*2

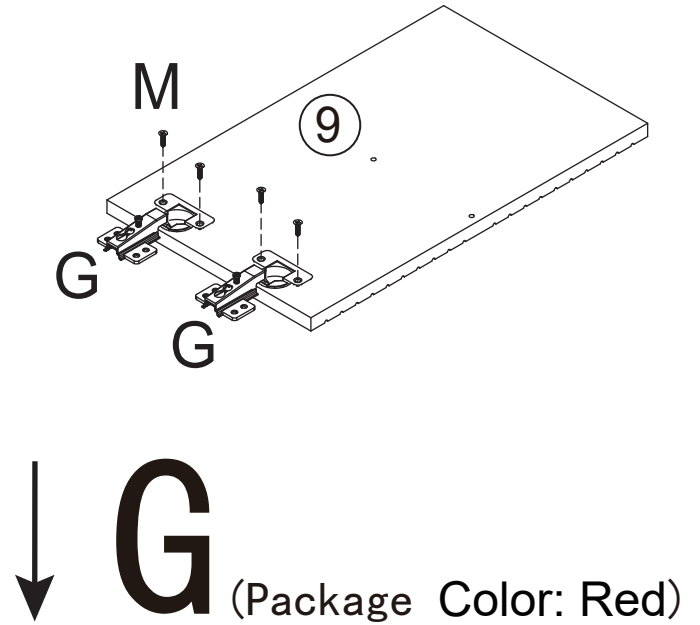


M\*12

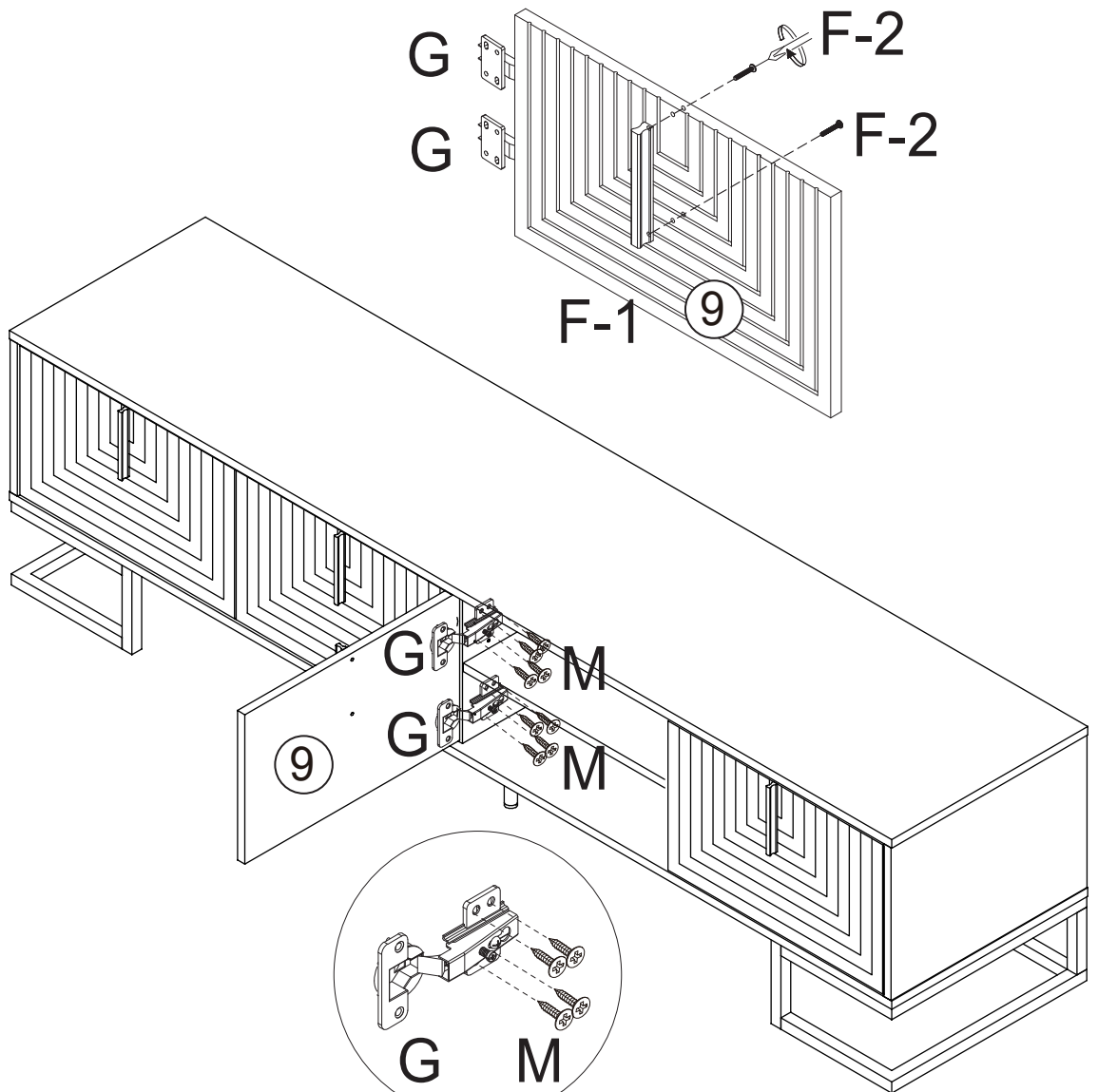


## Step 20

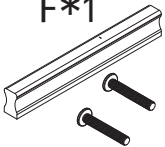
Please carefully distinguish between G and H hinges during the installation steps and adhere strictly to the instructions in their prescribed order to avoid any installation errors.



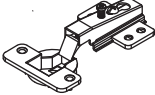
Note: The packaging bag features red marking to easily distinguish between the two types of hinges. (G : Red)



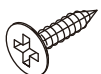
F\*1



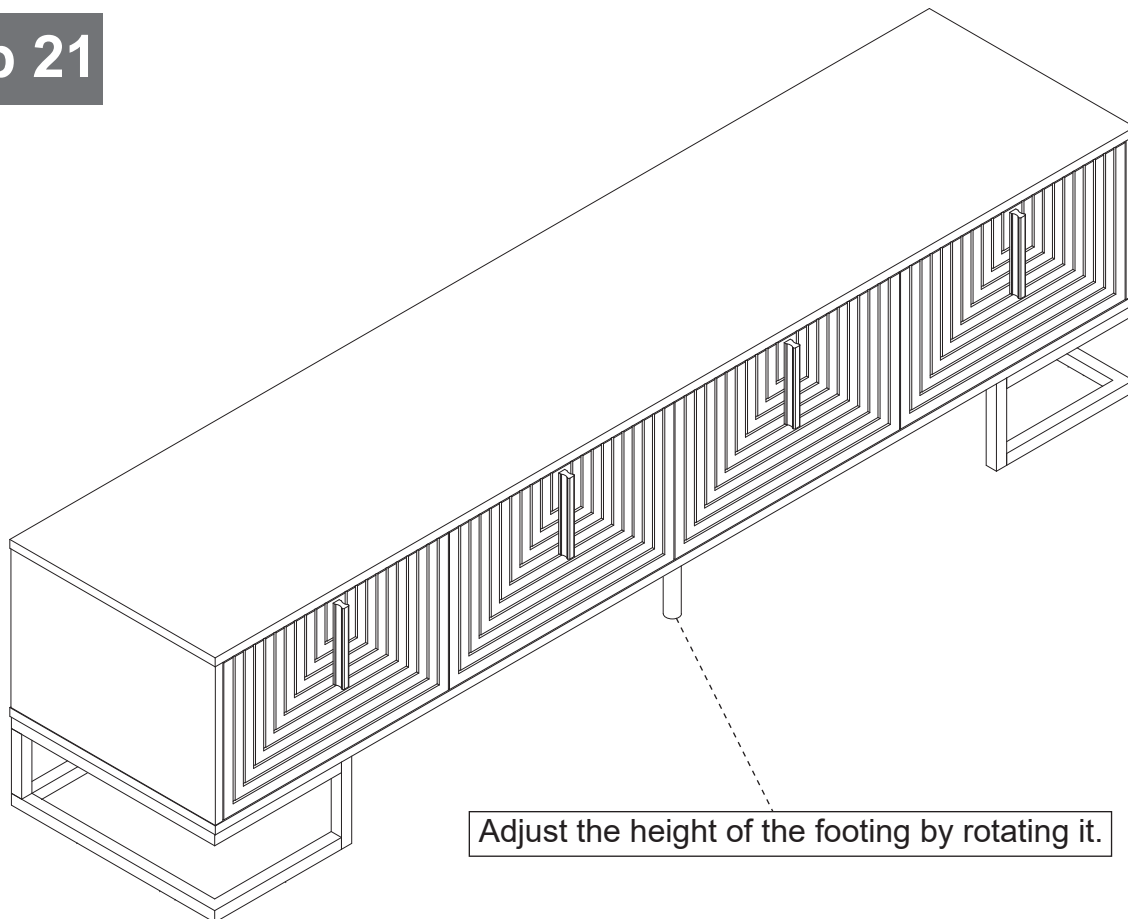
G\*2



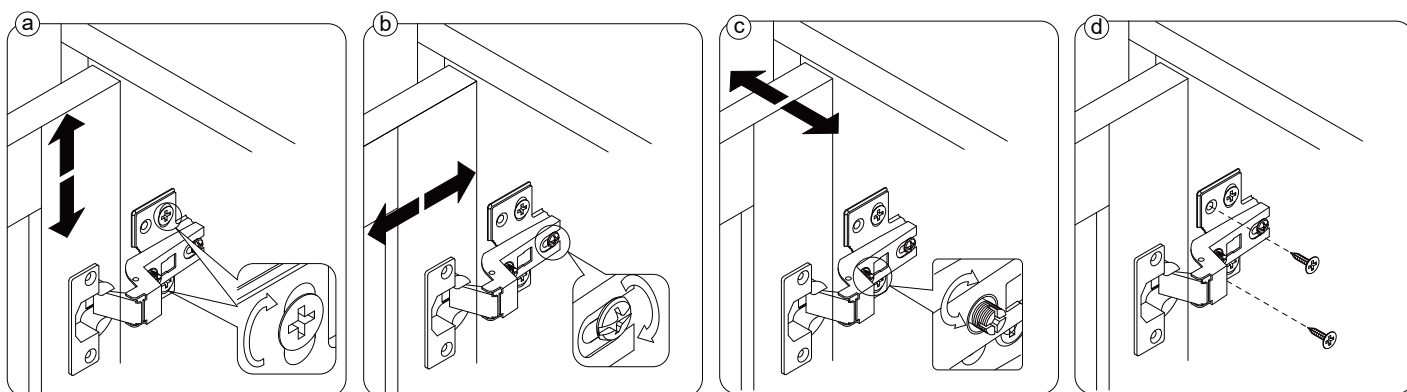
M\*12



## Step 21

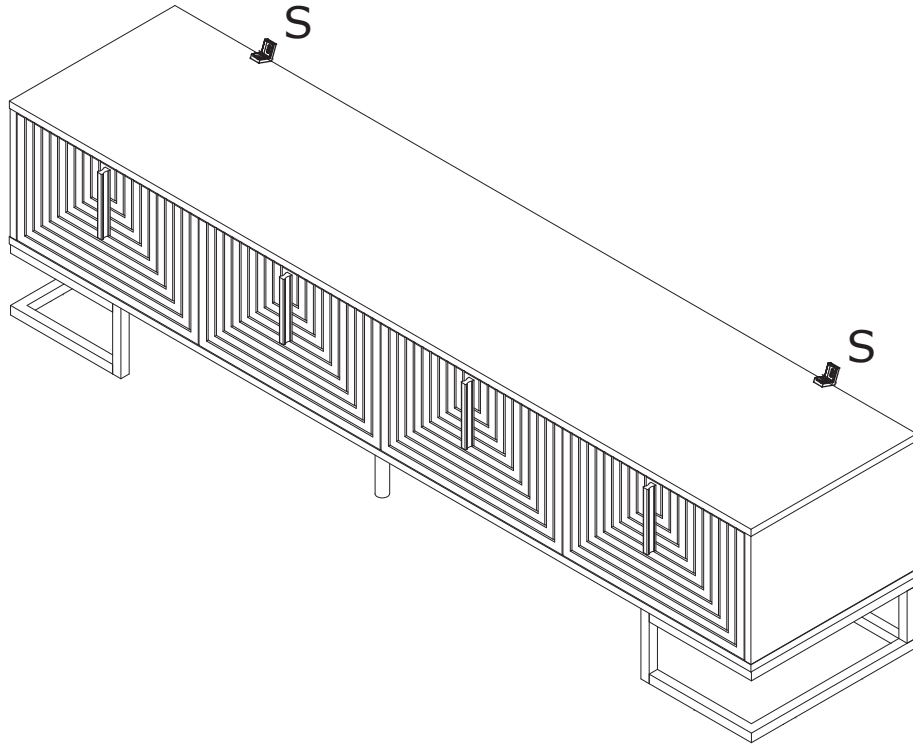


When the hinges are installed, you can refer to the pictures to adjust crevice of the doors till it's perfect:



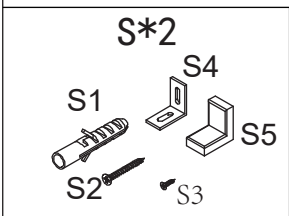
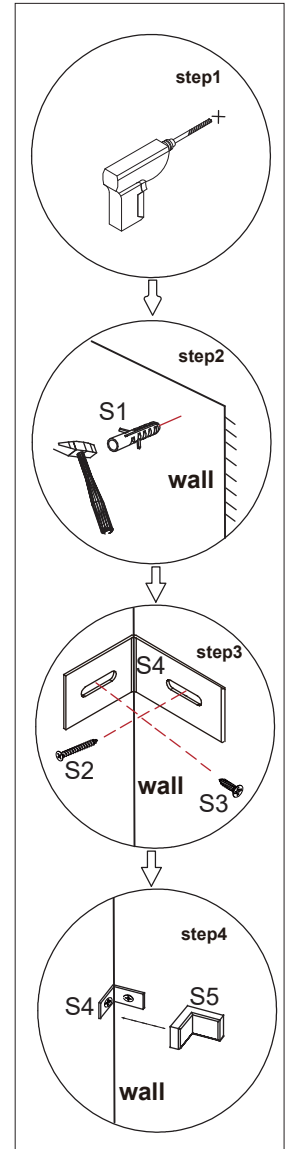
1. To adjust the doors up and down, please refer to step (a)
2. To adjust the distance between the doors and side panels, please refer to step(b)
3. To adjust the gap between two doors, please refer to step (c)
4. After the adjustment finished, please tight the screws, refer to step (d)

# Step 22



**OR**

This is anti-dumping L-type iron sheet, fixed to the wall of the product, can be required to change the installation location



# Step 23 FINISH

