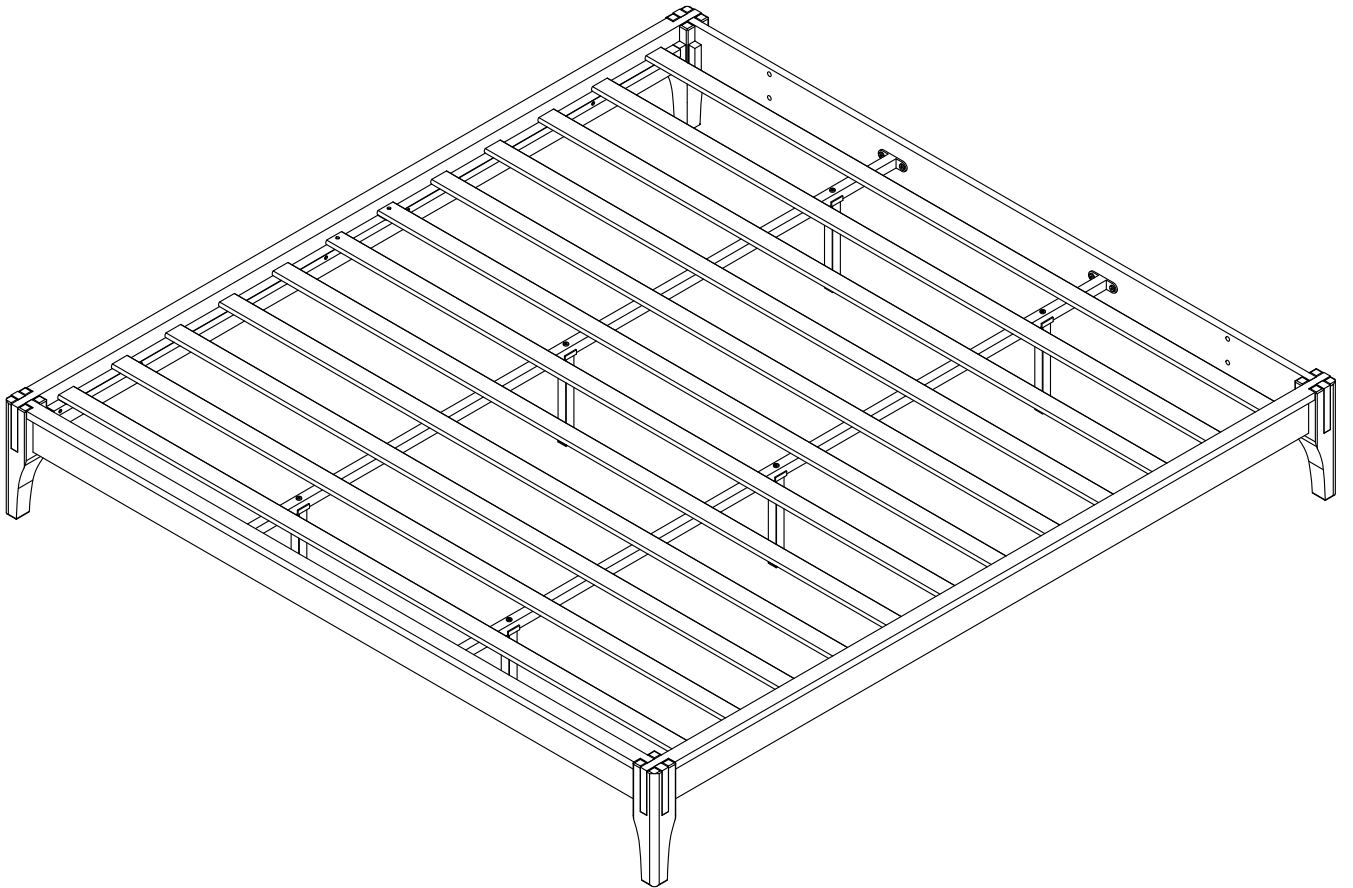
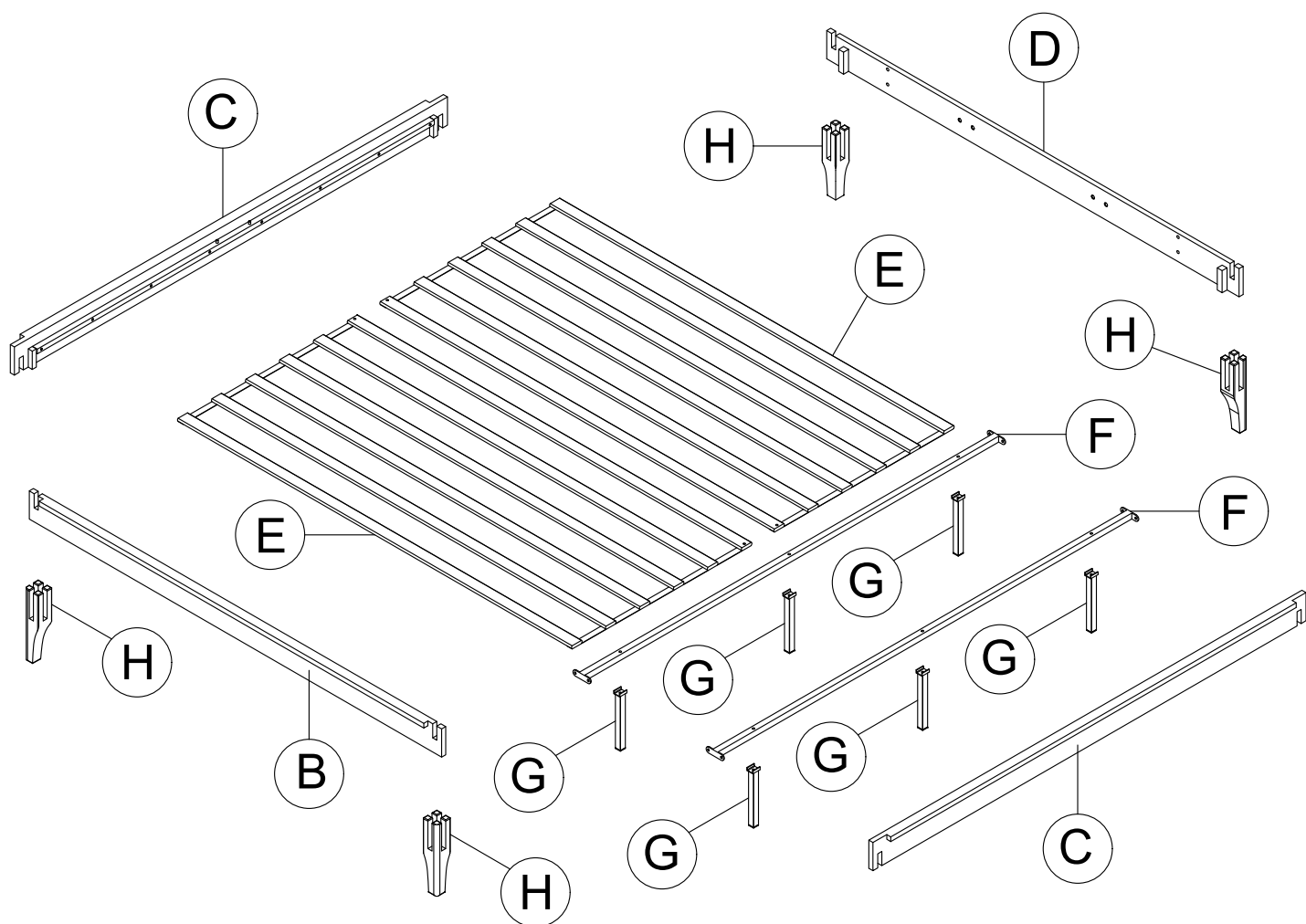


Platform Bed Frame

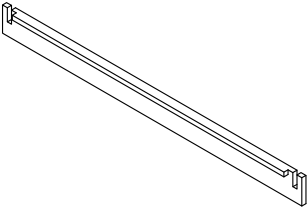
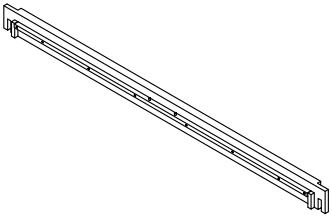
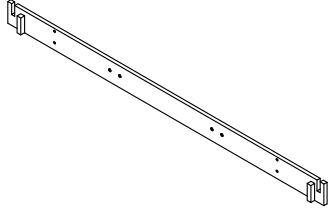
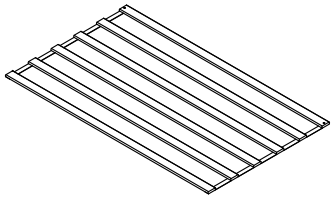
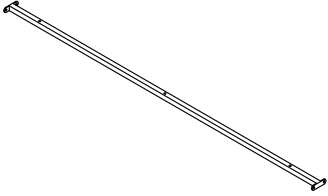


SKU CODE: N701LQQBD1029



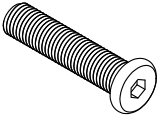
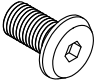
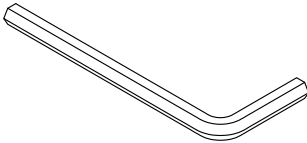
ASSEMBLY INSTRUCTION INSTRUCTIONS DEMONTAGE



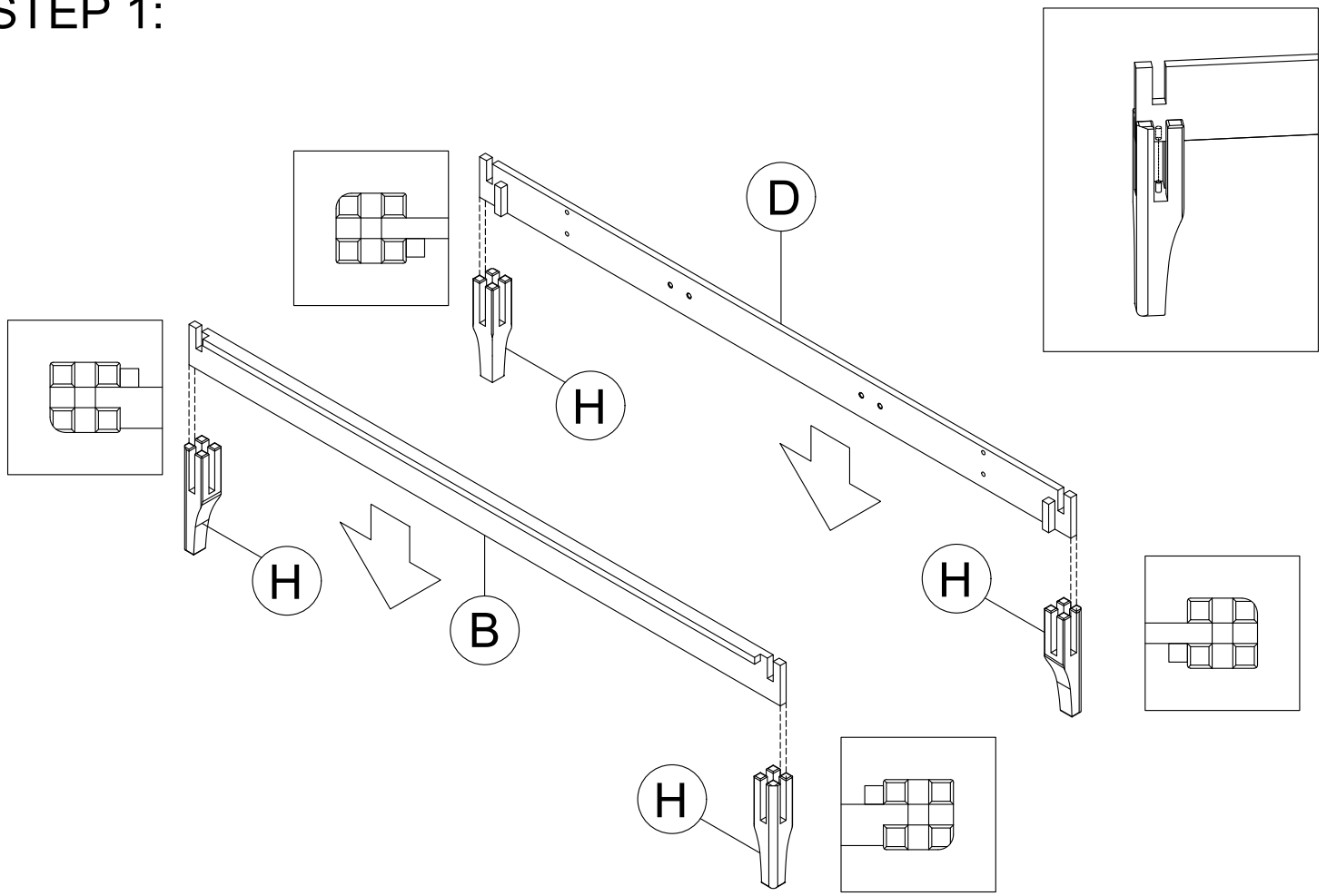
Part List & Hardware List (N701LQQBD1029)

<p>B</p>  <p>Front panel-1pc</p>	<p>C</p>  <p>Side rail-2pcs</p>	<p>D</p>  <p>Back panel-1pc</p>	<p>E</p>  <p>Slats-2pcs</p>
<p>F</p>  <p>Center bar-2pcs</p>	<p>G</p>  <p>Metal leg-6pcs</p>	<p>H</p>  <p>Wood leg-4pcs</p>	

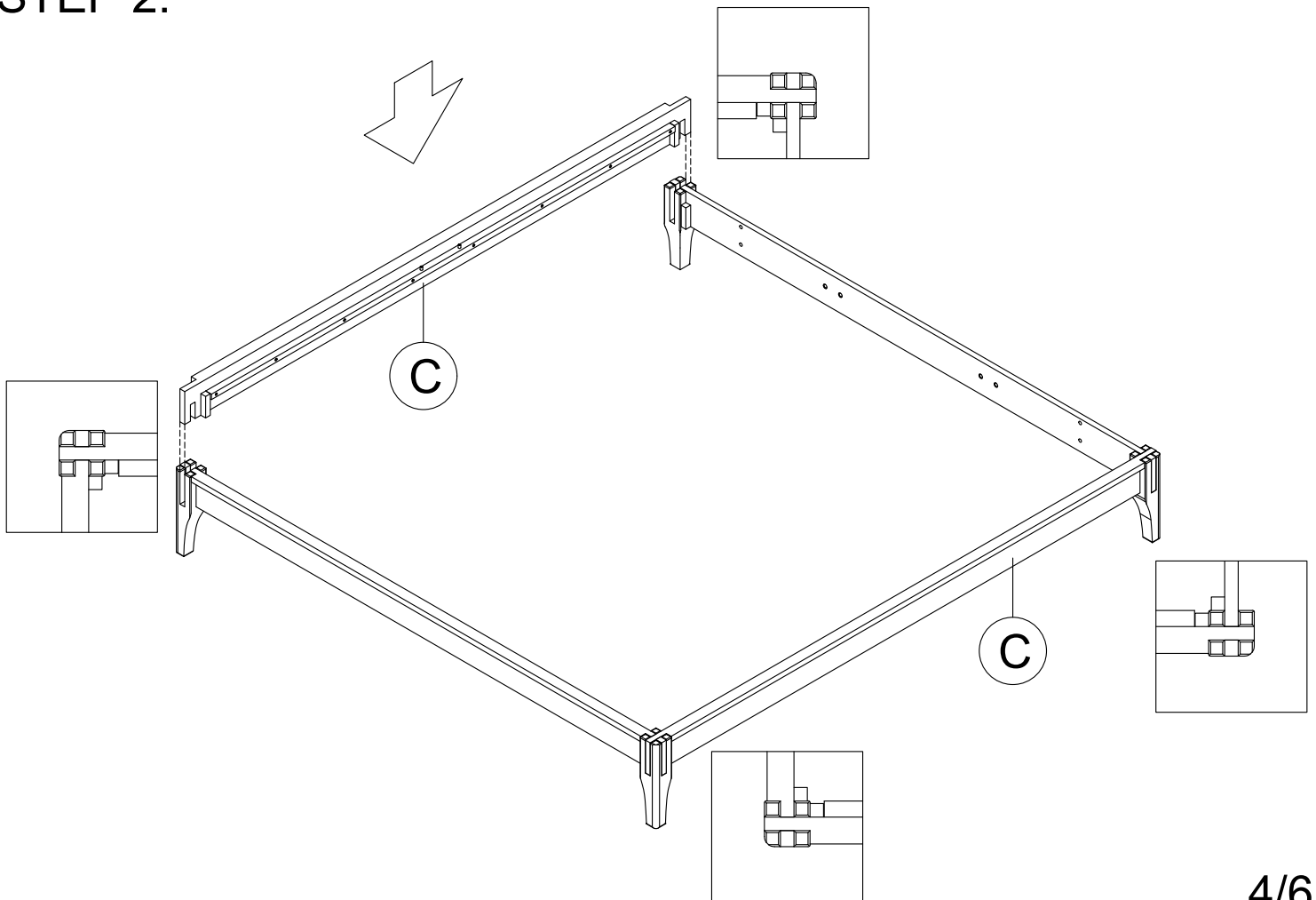
Hardware List (N701LQQBD1029)

<p>1</p>  <p>Bolts-6pcs</p>	<p>2</p>  <p>Bolts-8pcs</p>	<p>3</p>  <p>Allen key-1pc</p>
---	---	---

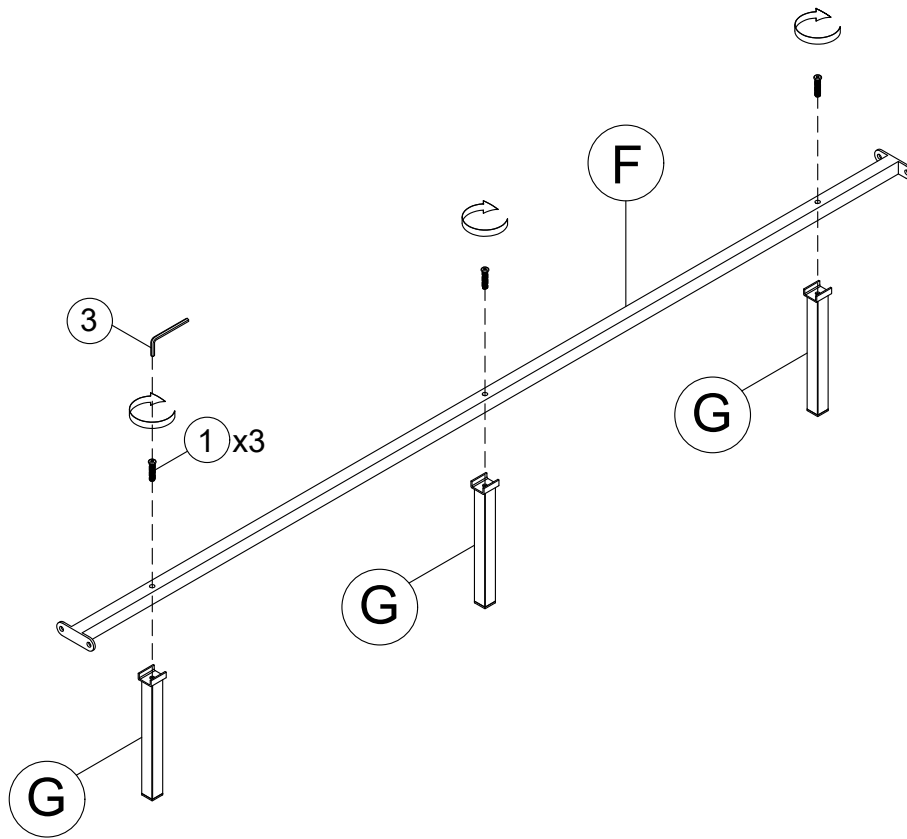
STEP 1:



STEP 2:

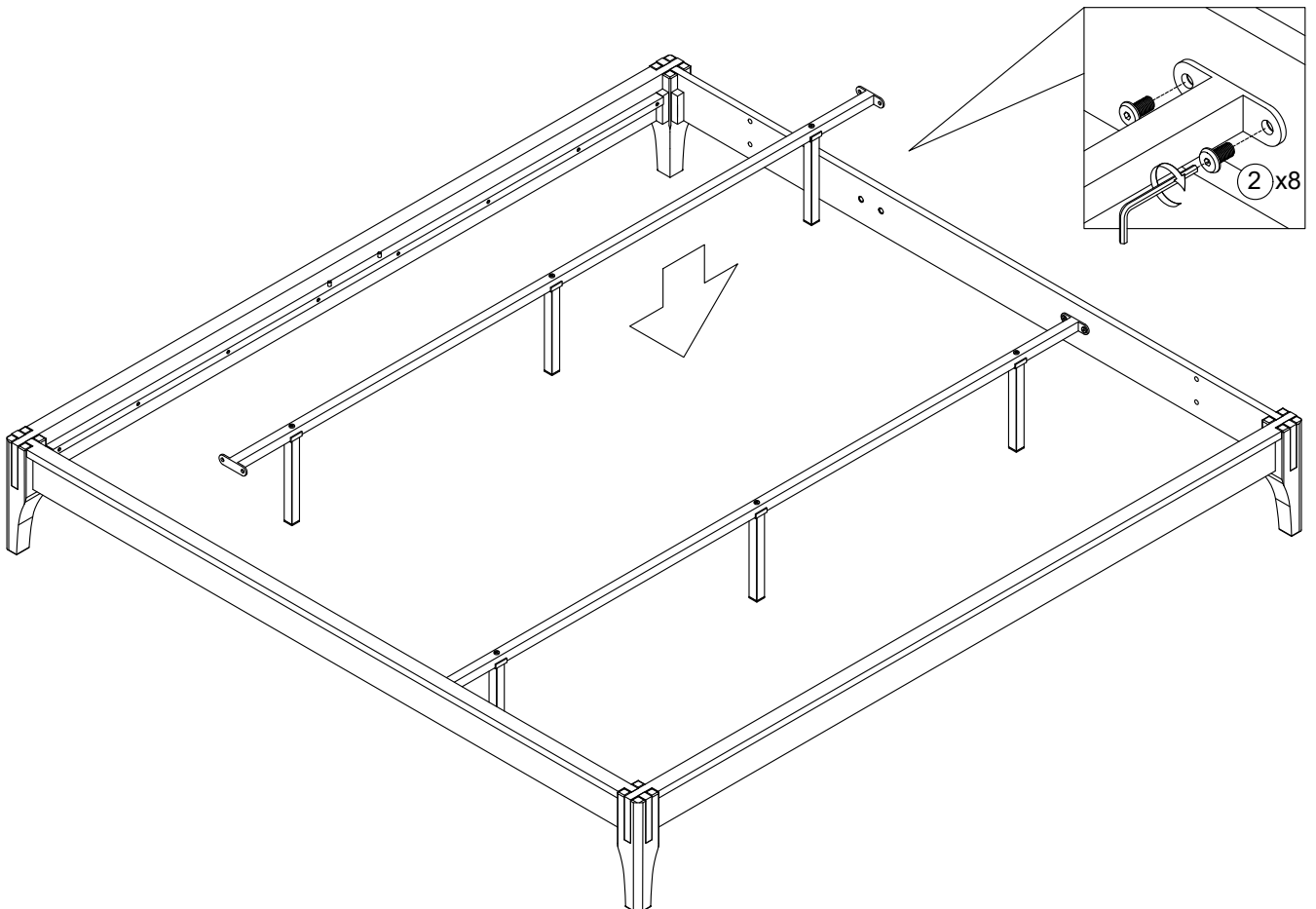


STEP 3:

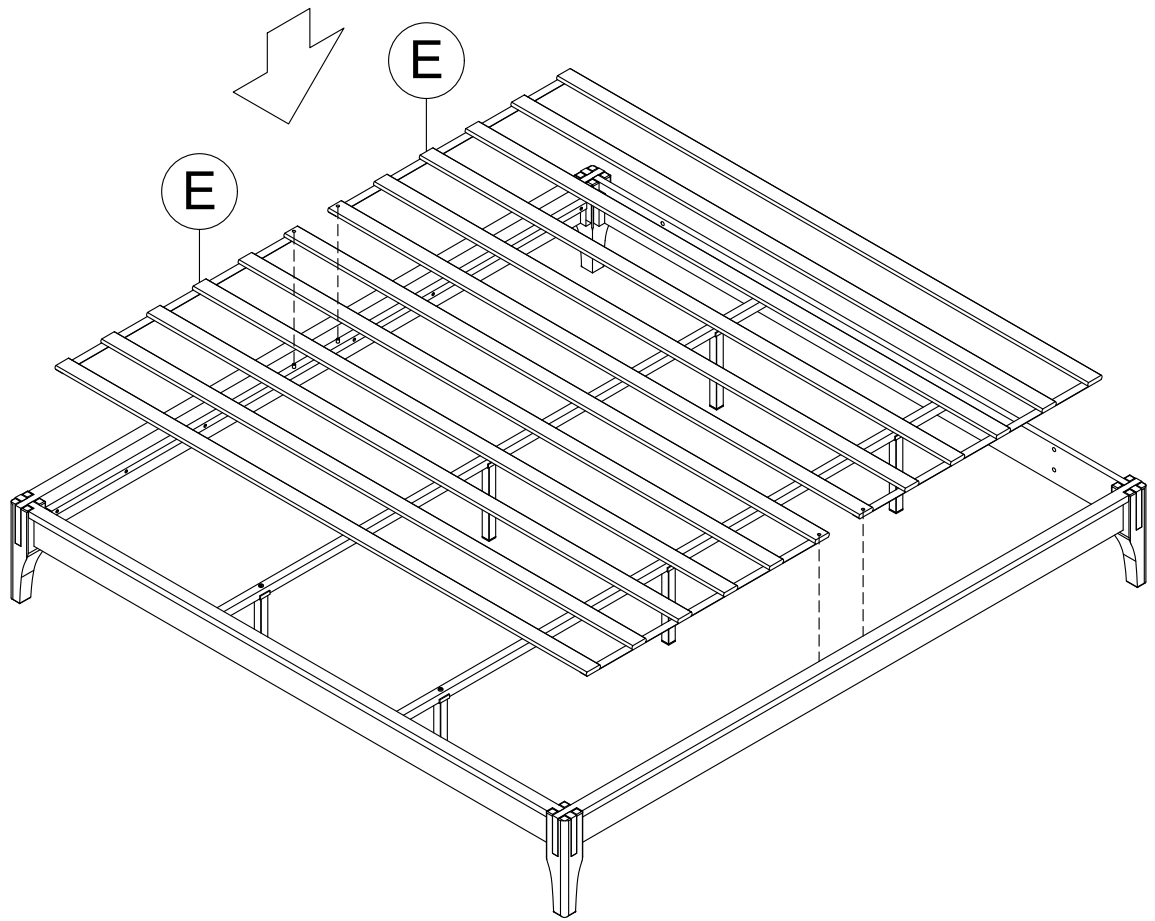


X2

STEP 4:



STEP 5:



STEP 6:

