

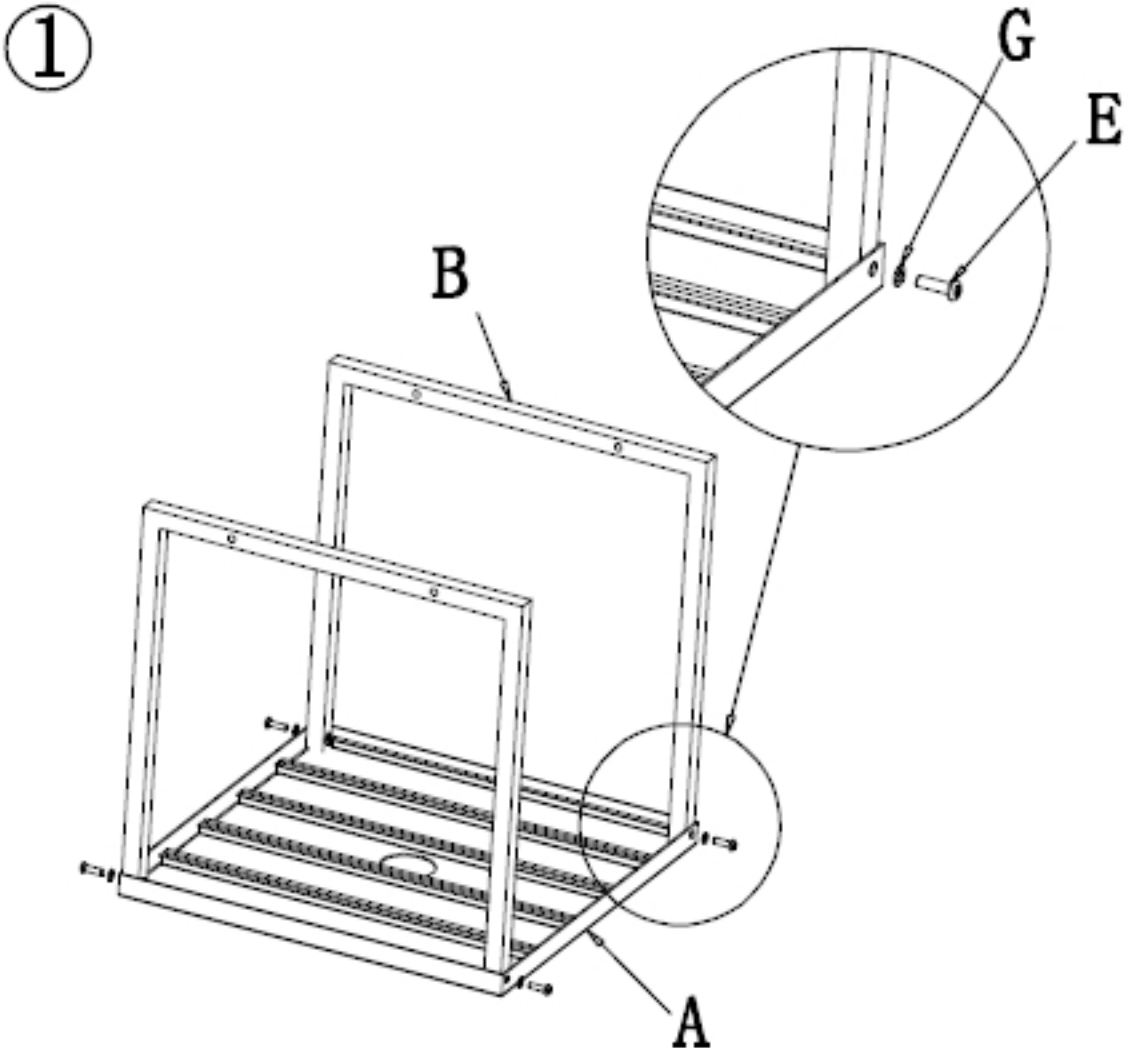


Assembly Manual

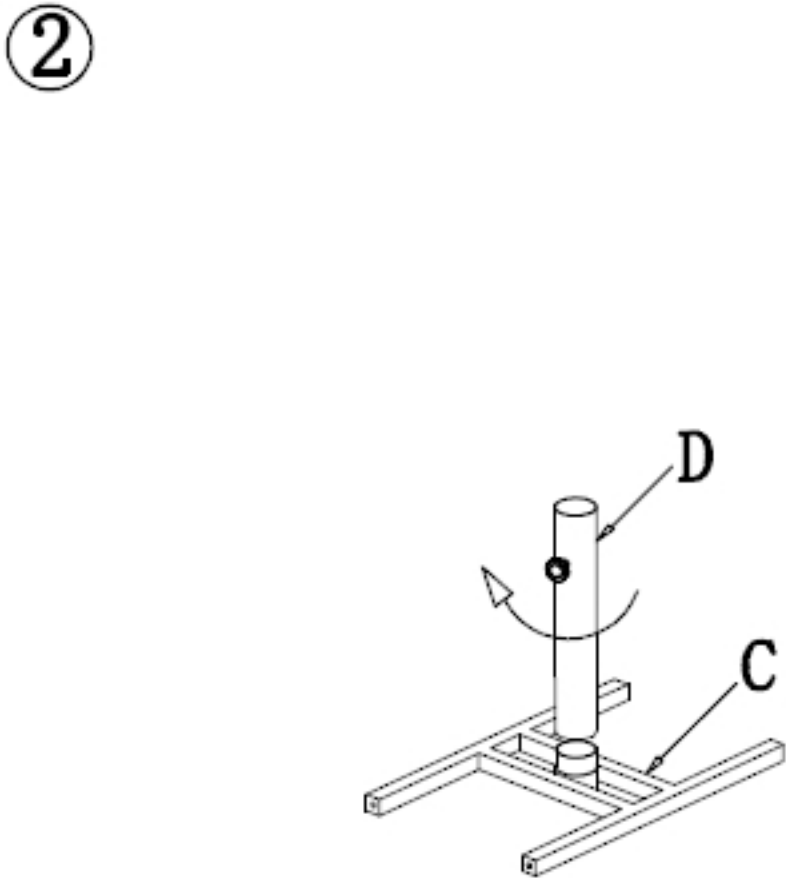
Square Umbrella Side Table (SKU No.:#CSTBSQ1818UM)

Very Important: Please fill sand bags and use them to secure your table base.

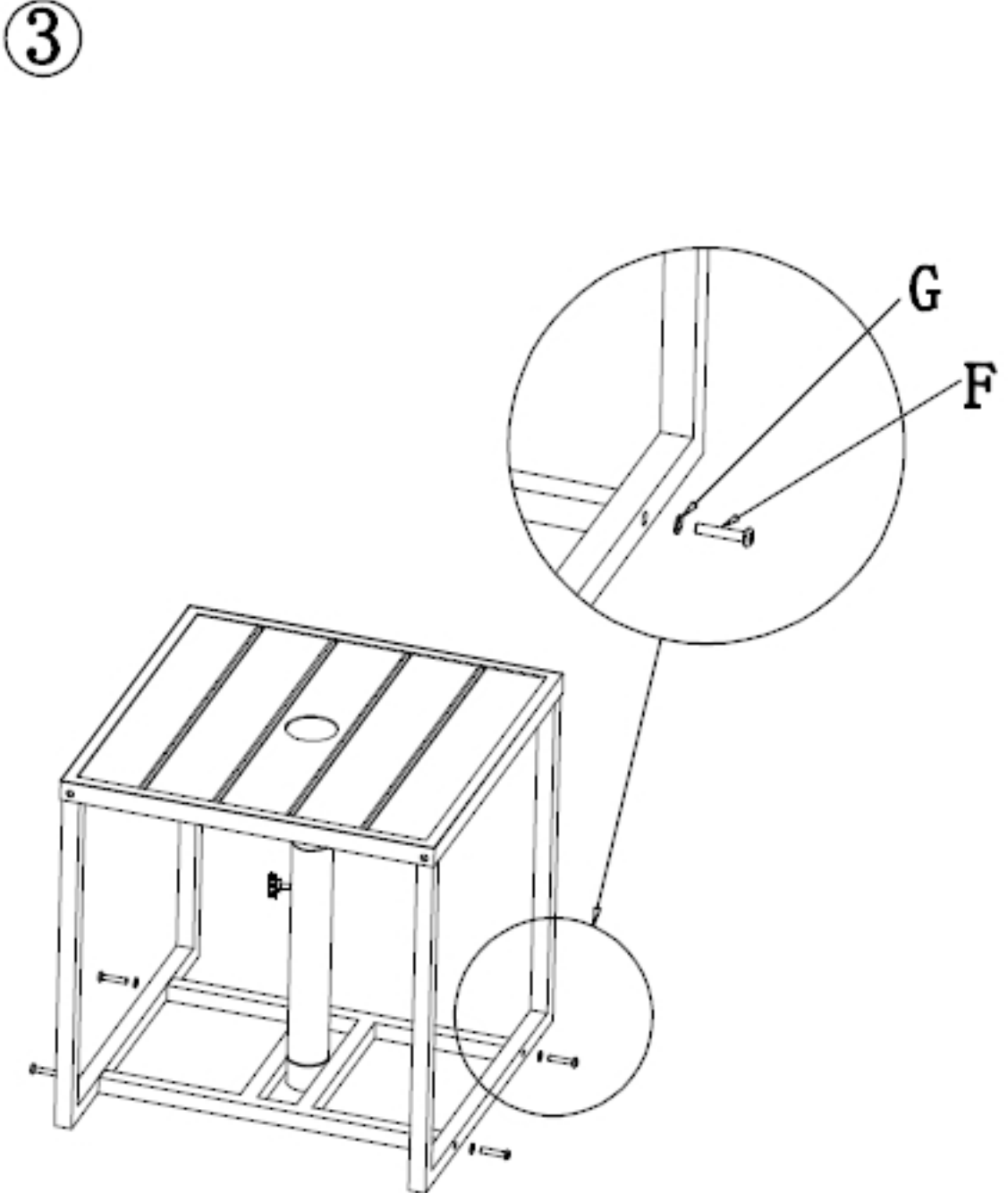
A	B	C	D	E	F	G	H	I
Table Top 1PC	Leg Panel 2PCS	Base Panel 1PC	Base Tube 1PC	Short Bolt 4PCS	Long Bolt 4PCS	Nut 8PCS	Allen Wrench 1PC	Sand Bag 4PCS



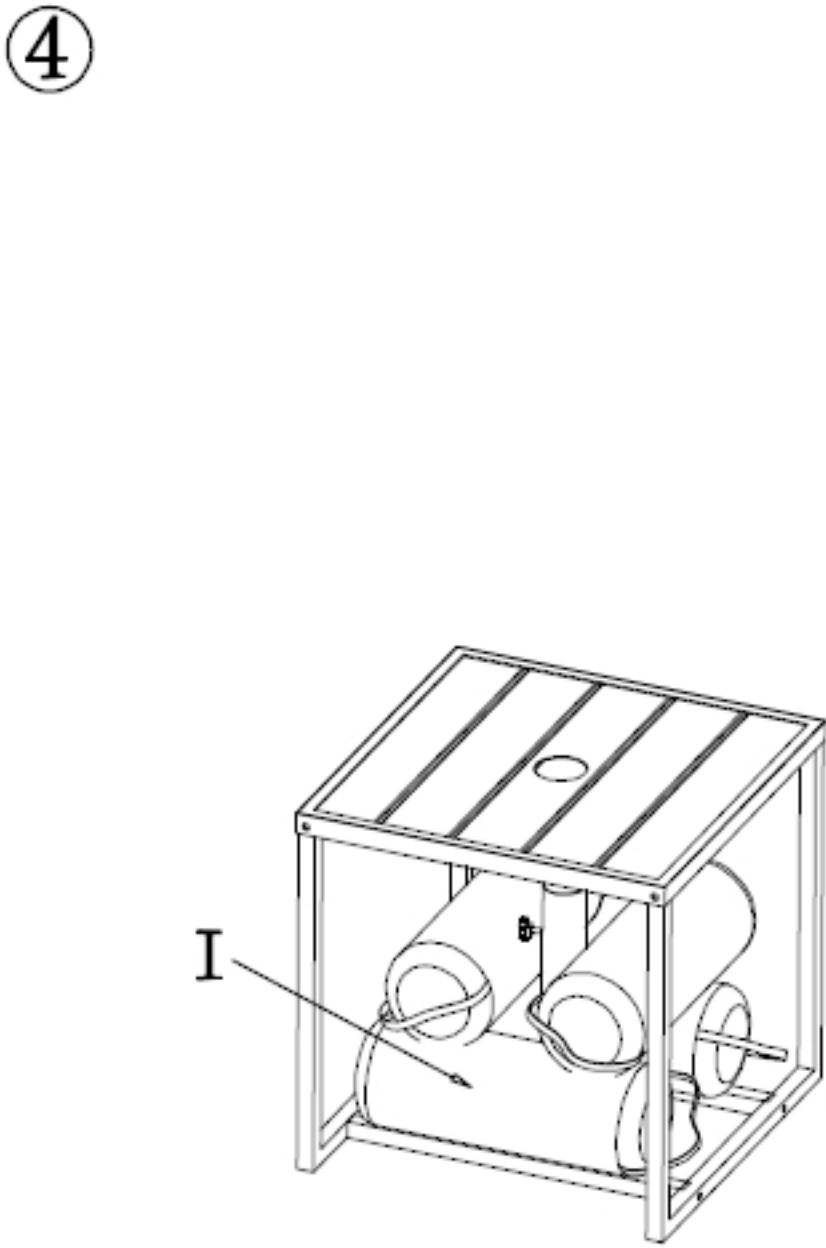
Reverse Table Top A and connect 2pcs Leg Panel B respectively with 2pcs Short Bolt E and 2pcs Nut G each side.



Assemble Base Tube D on top of Base Panel C.



Connect assembled table base to the bottom of Table legs on both sides with total 4pcs Long Bolt F and 4pcs Nut G.



Use loaded Sand Bags I to weight down the base and adjust screw knob on the base tube for fitting umbrella pole.

Additional touch-up paint supplied for easy repair or mentenance on metal frame surface.

WARRANTY: One year warranty on the steel frame structure and welds due to manufacturing defect.