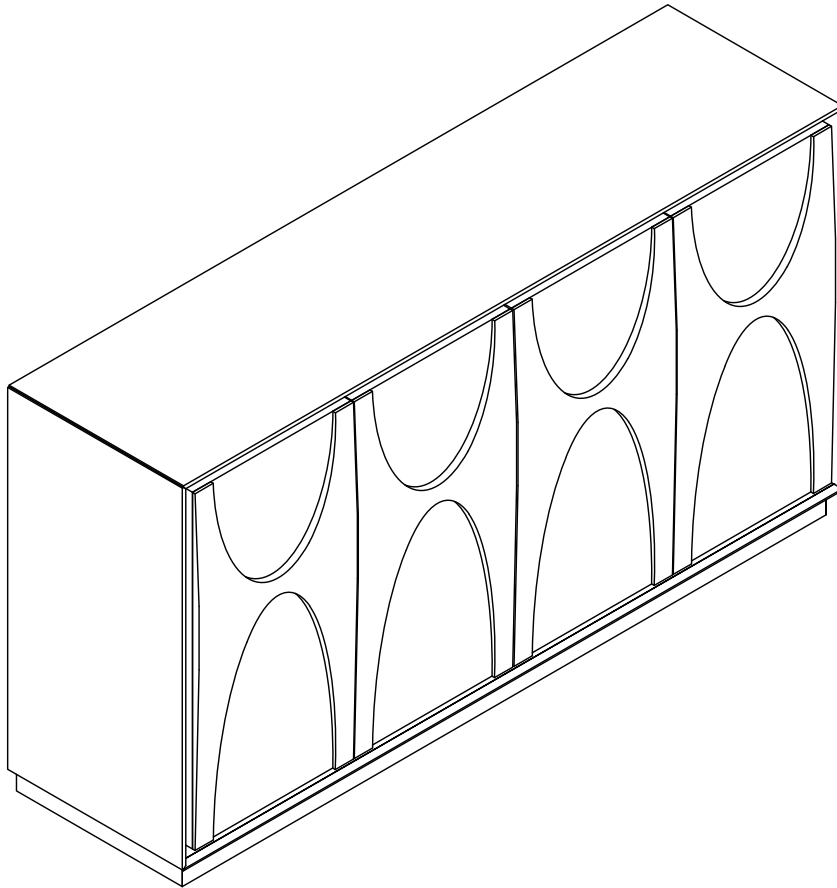


Assembly Instructions

Caution: You must read this before you proceed




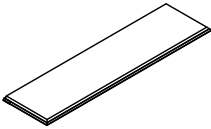
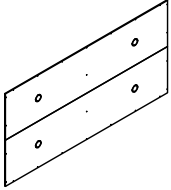


Sideboard





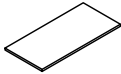
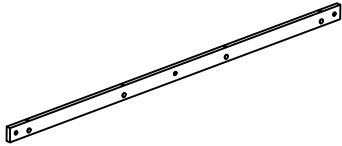
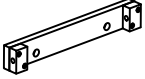
Product name:

sideboard


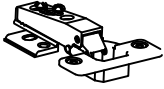
















Parts list

Label	Picture	Description	QTY
①		Top Panel	1
②		Left side panel	1
③		Right side panel	1
④		middle panel	1
⑤		Bottom panel	1
⑥		Back panel	1
⑦		Left side door	1
⑧		Left middle door	1

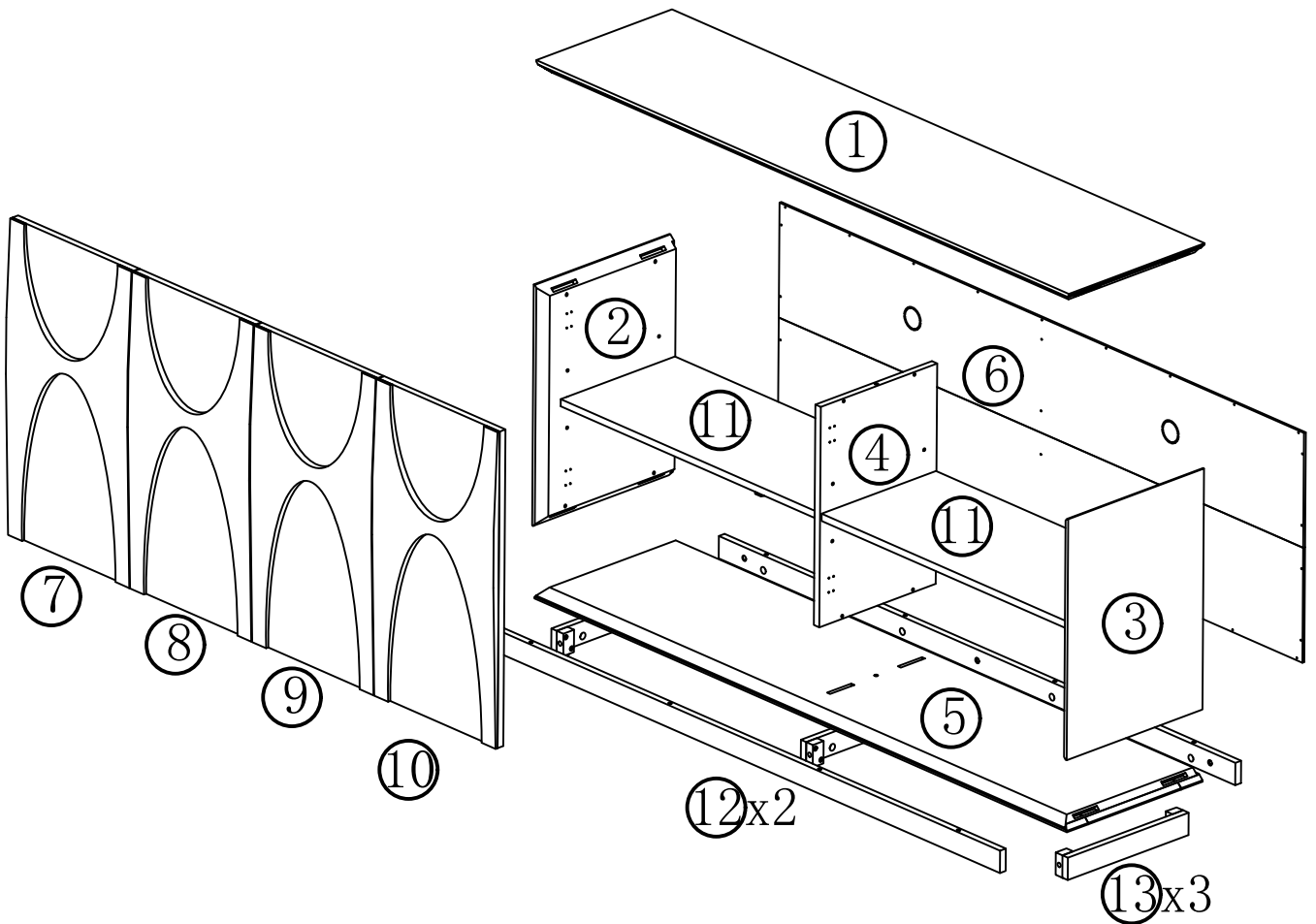
Parts list

Label	Picture	Description	QTY
⑨		Right middle door	1
⑩		Right side door	1
⑪		shelves	2
⑫		Bottom front panels	2
⑬		Bottom side panels	3

Hardware

Label	Picture	Description	QTY
A		Larger cuts for side doors	4
B		Smaller cuts fit in the middle doors	4
C		M4x16mm screws	48
D		M3.5x15mm screws	24
E		Bracket	8
F		Buffer	4
G		wood dowel	2
H		Allen Wrench (80*30mm)	1
I		Plastic Anchor (Wall Plug)	4
J		M3.5x38mm screws	4
K		M3.5x19mm screws	4
L		Nylon Restraint Strap	2
M		Mounting Brackets	4
N		Ø1/4" * 1-3/4" bolt	6
O		Flat washer	6
P		Lock washer	6
Q		Cam bolts	14
R		Cam locks	14

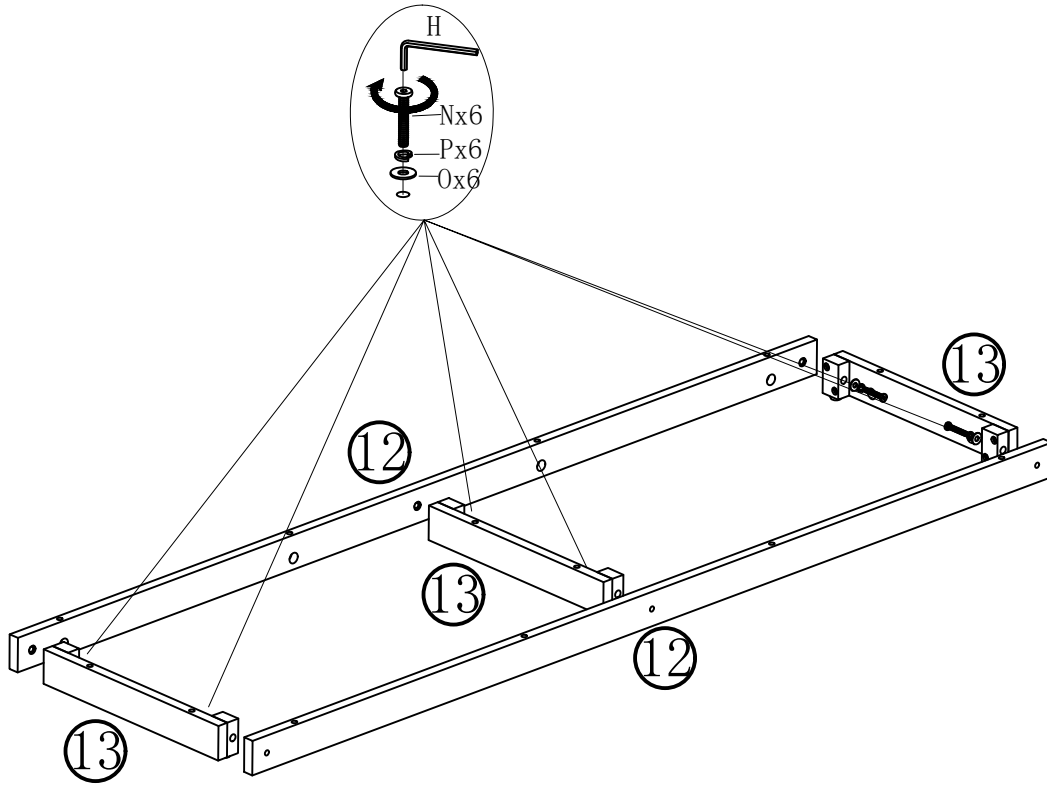
Overview



IMPORTANT :

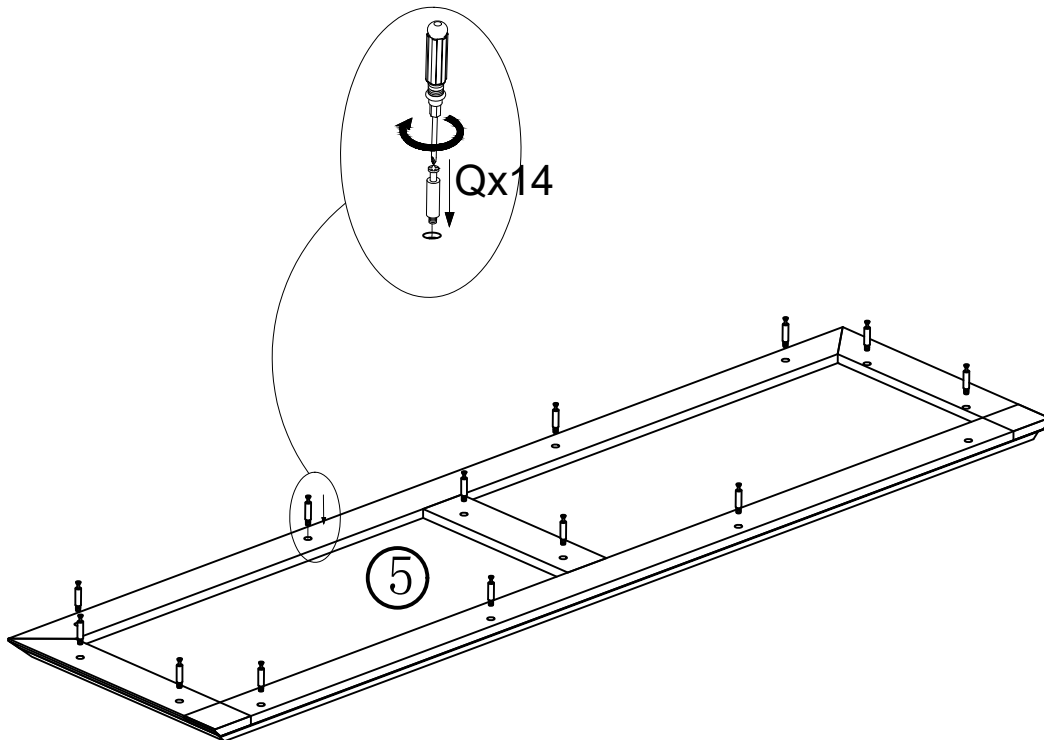
- Read the instructions carefully from cover to cover.
- Do not assemble on flooring or carpet.
- Assemble on a clean non-marring surface (packing foam).
- Save all packaging until finished.
- Do not tighten bolts / screws completely until all bolts / screws are lined up and inserted into holes.
- Do not over tighten screws and bolts to avoid stripping.
- Please always use hand tools to assemble this product and never use power tools.

Step 1



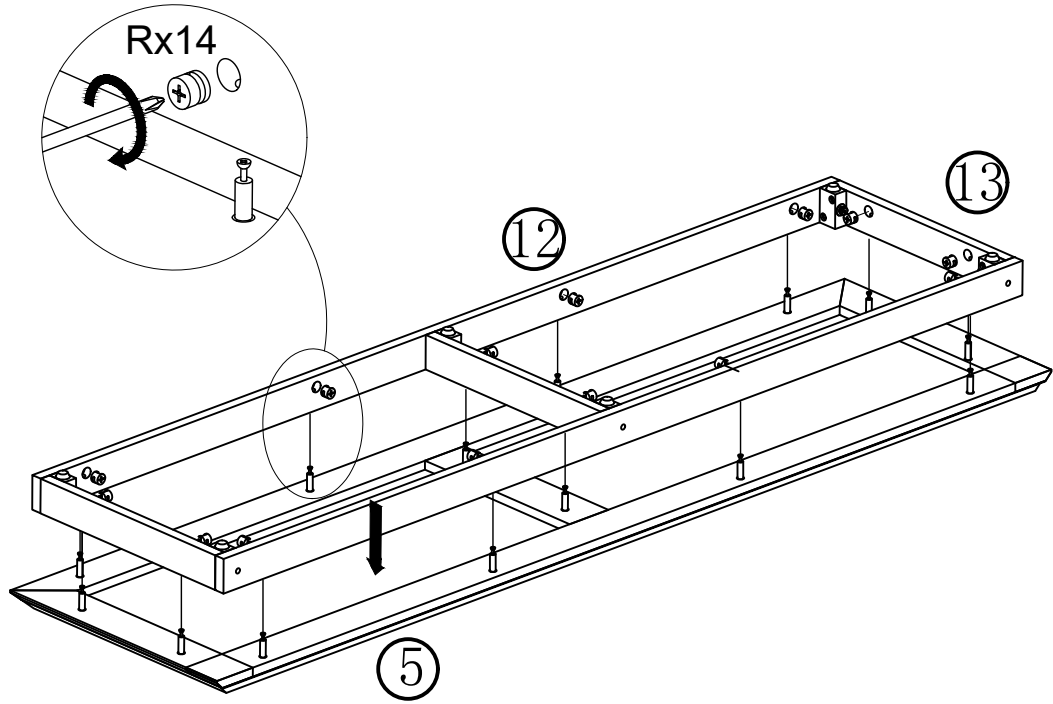
N	Ø1/4"×1-3/4" bolt	6PCS	O	flat washer	6PCS	P	lock washer	6PCS	H	Allen Wrench	1PC


Step 2



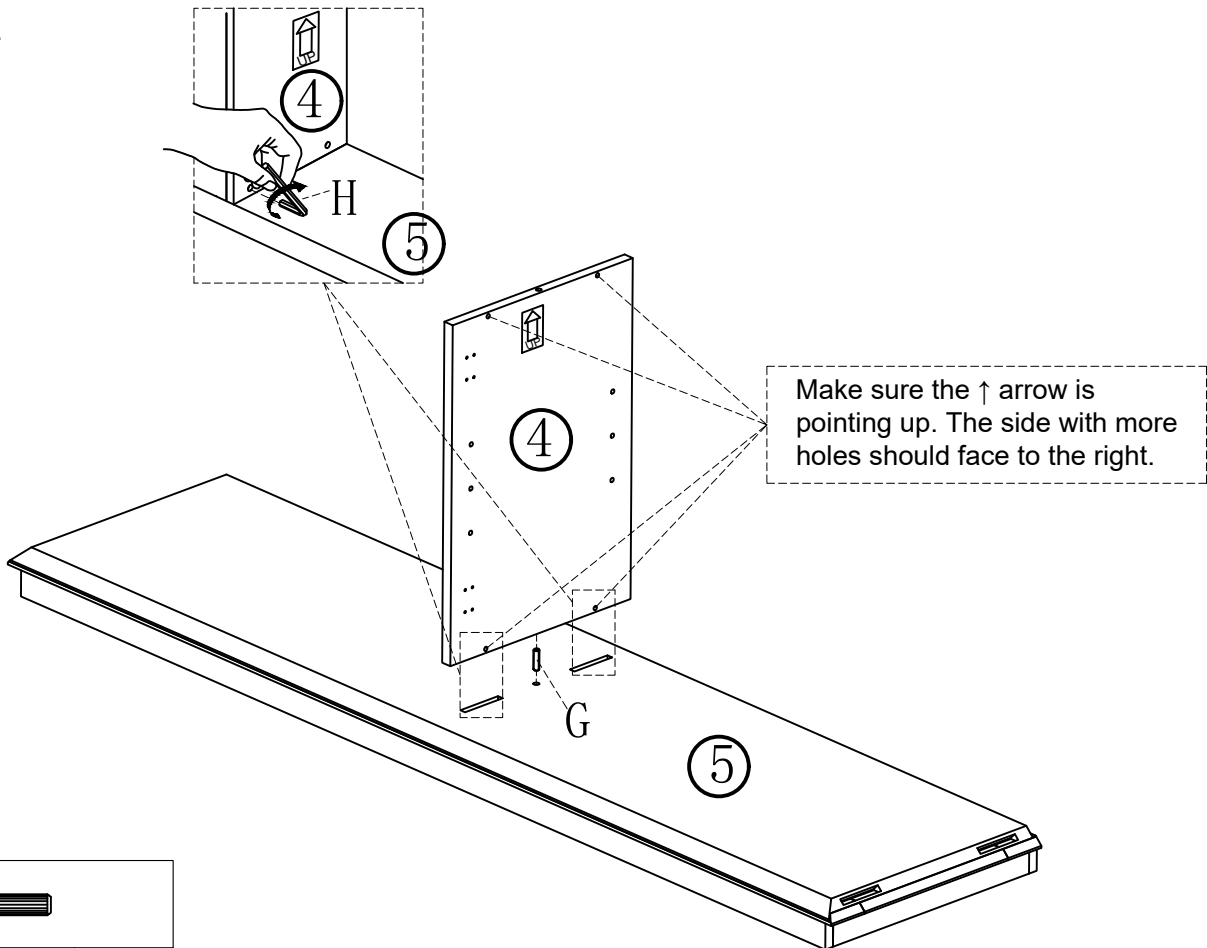
Q	Cam bolts	14PCS


Step 3



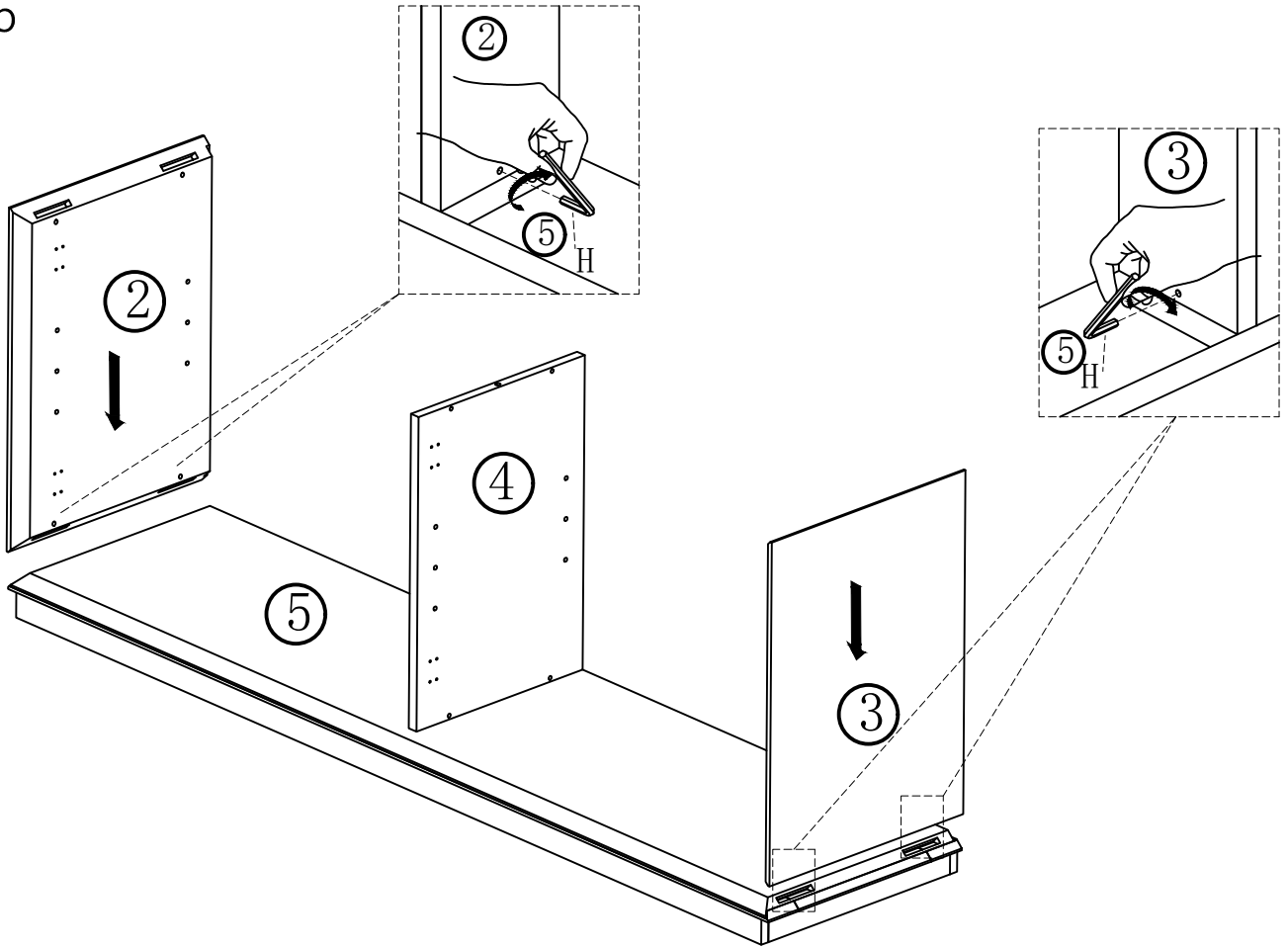
		
R	Cam locks	14PCS

Step 4

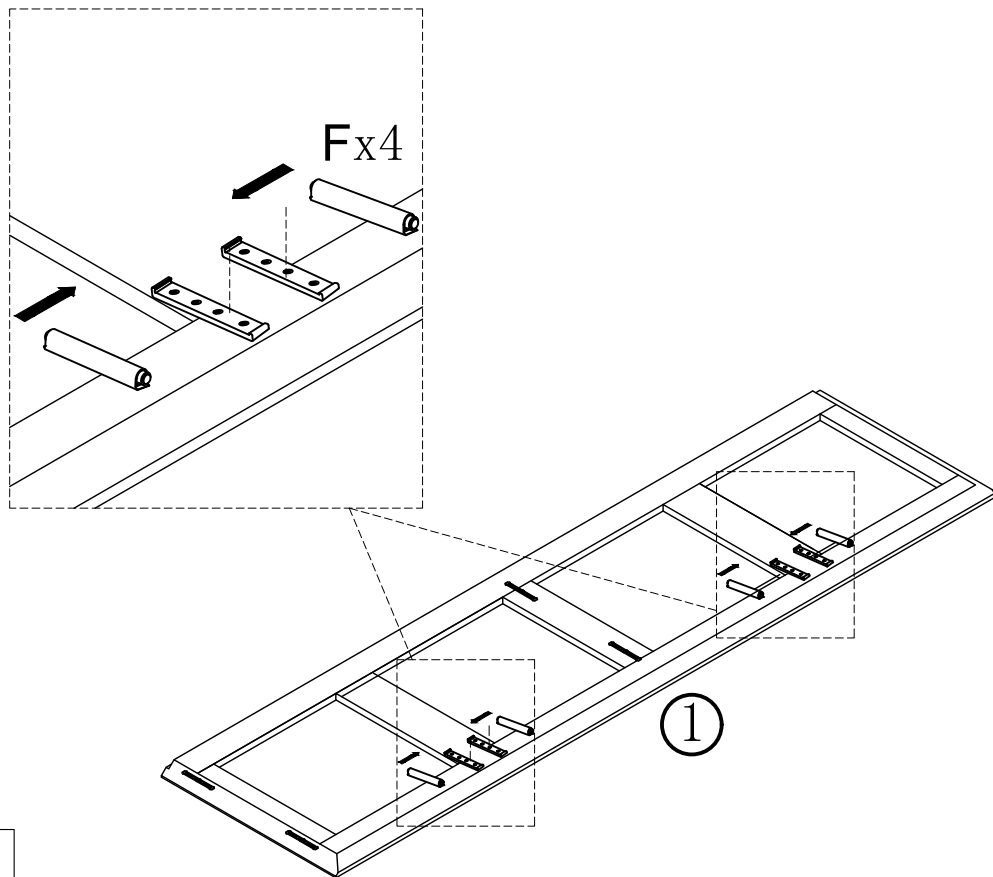


		
G	wood dowel	1PCS

Step 5

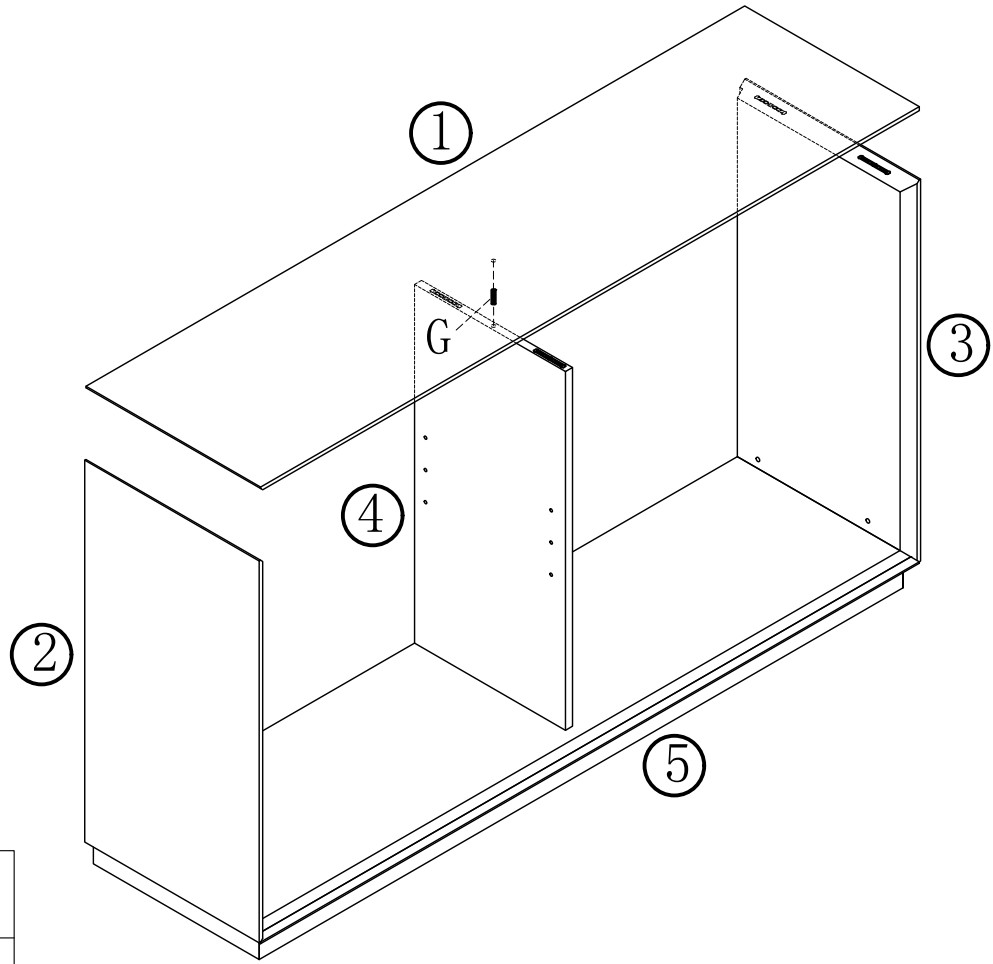



Step 6



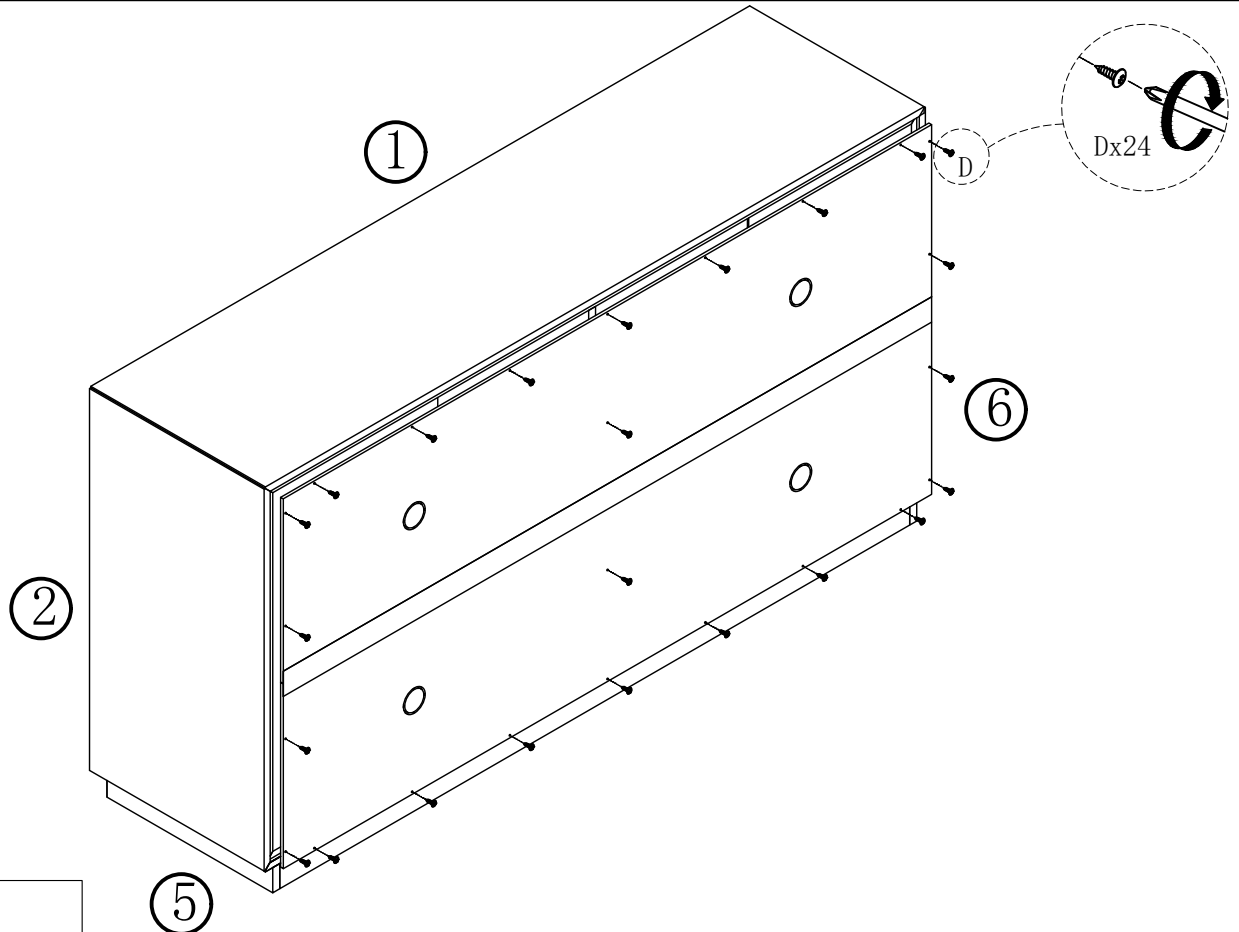
F	Buffer	4PCS

Step 7



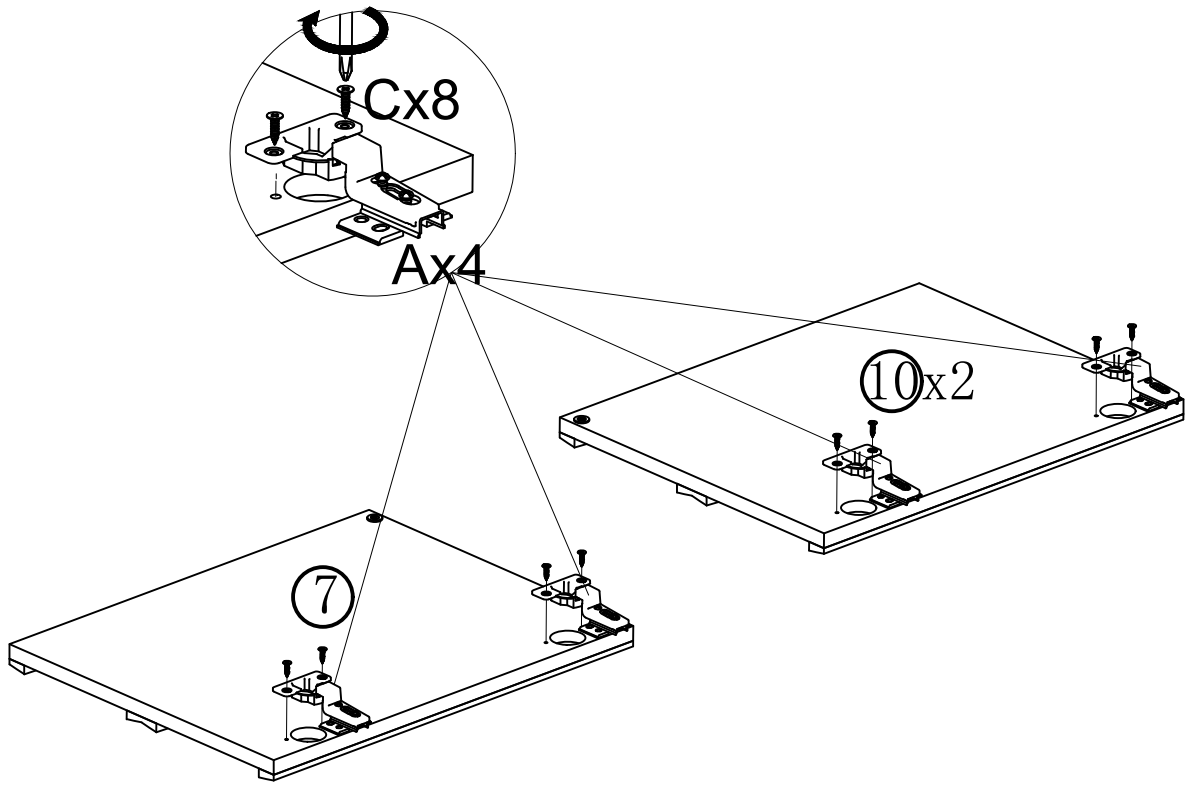
		
G	wood dowel	1PCS



Step 8



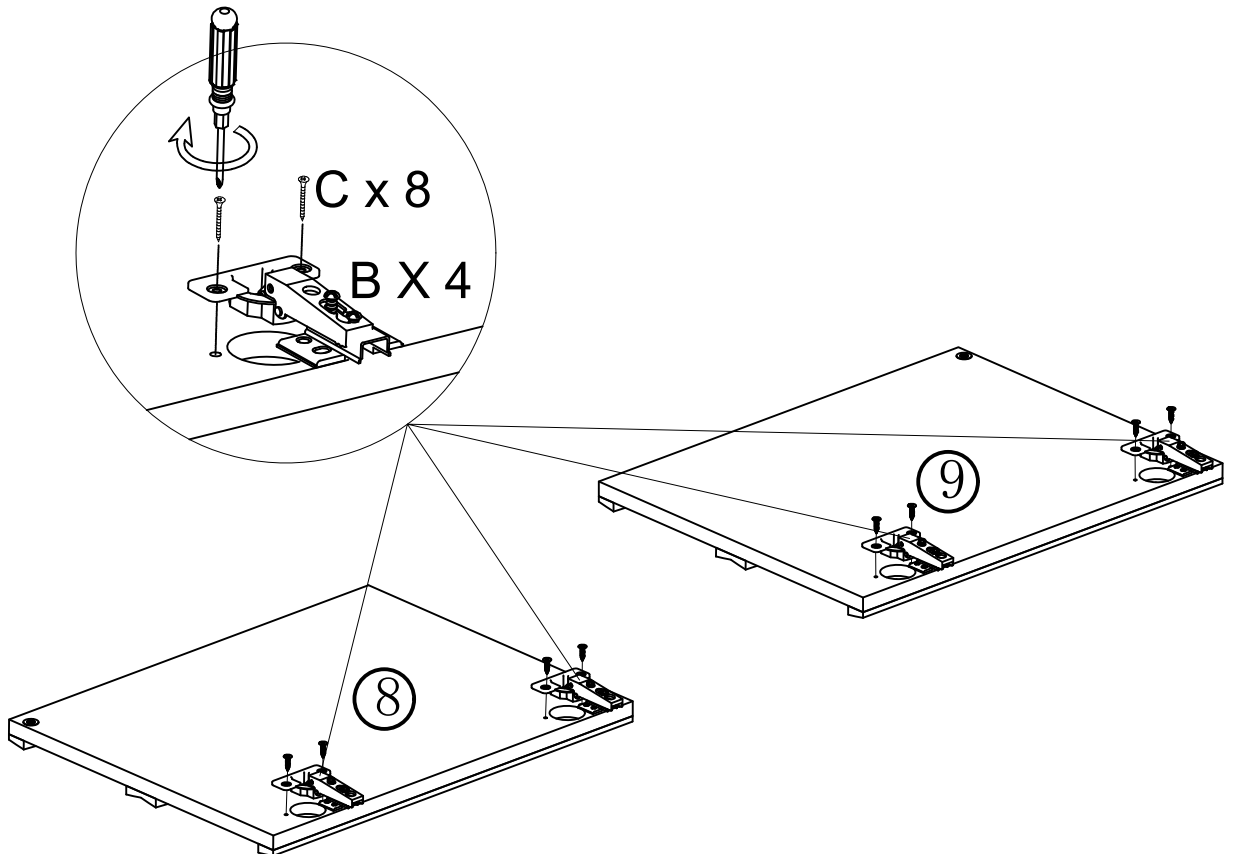
		
D	M3.5x15mm screws	24PCS



Step 9



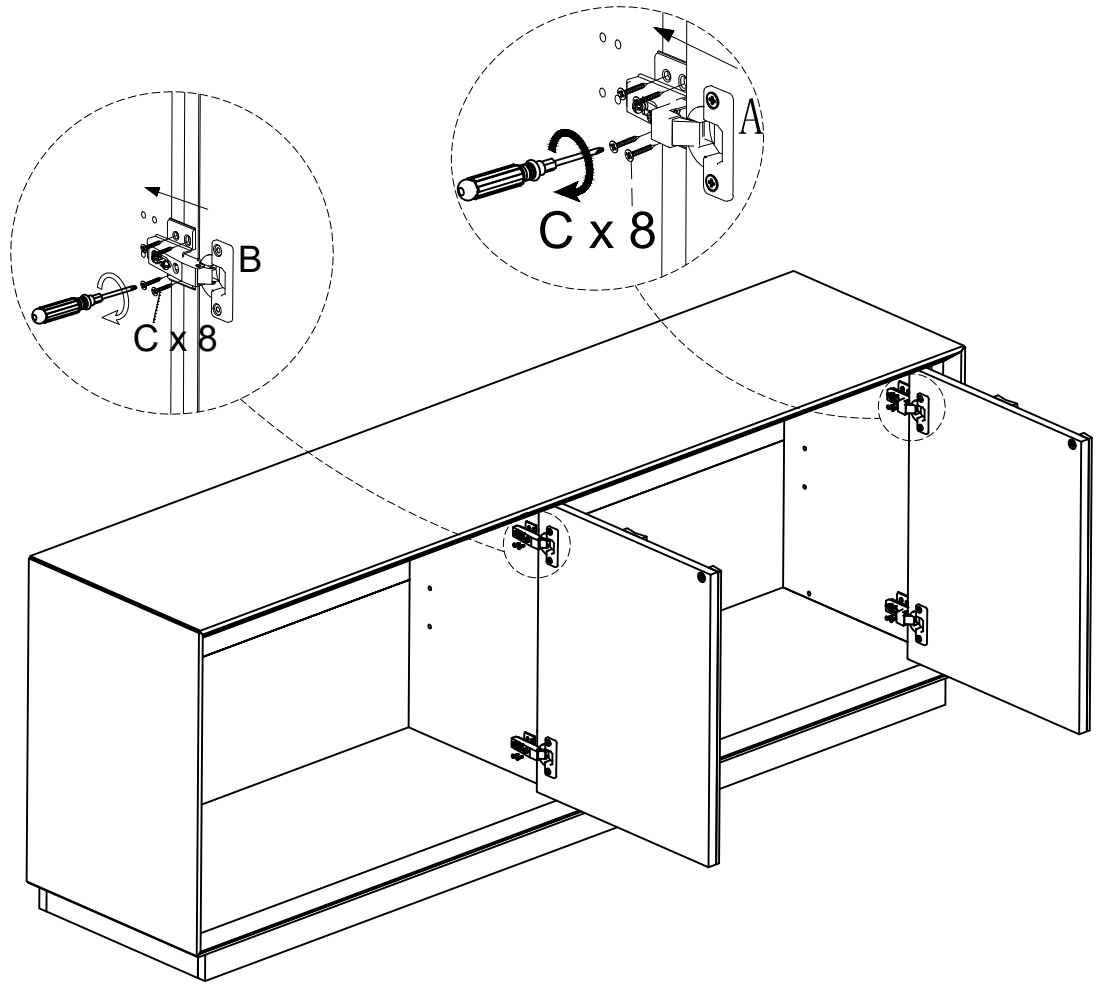
				
A	Larger cuts for side doors	4PC	C	Ø4x14mm screws
				8PC

Step 10



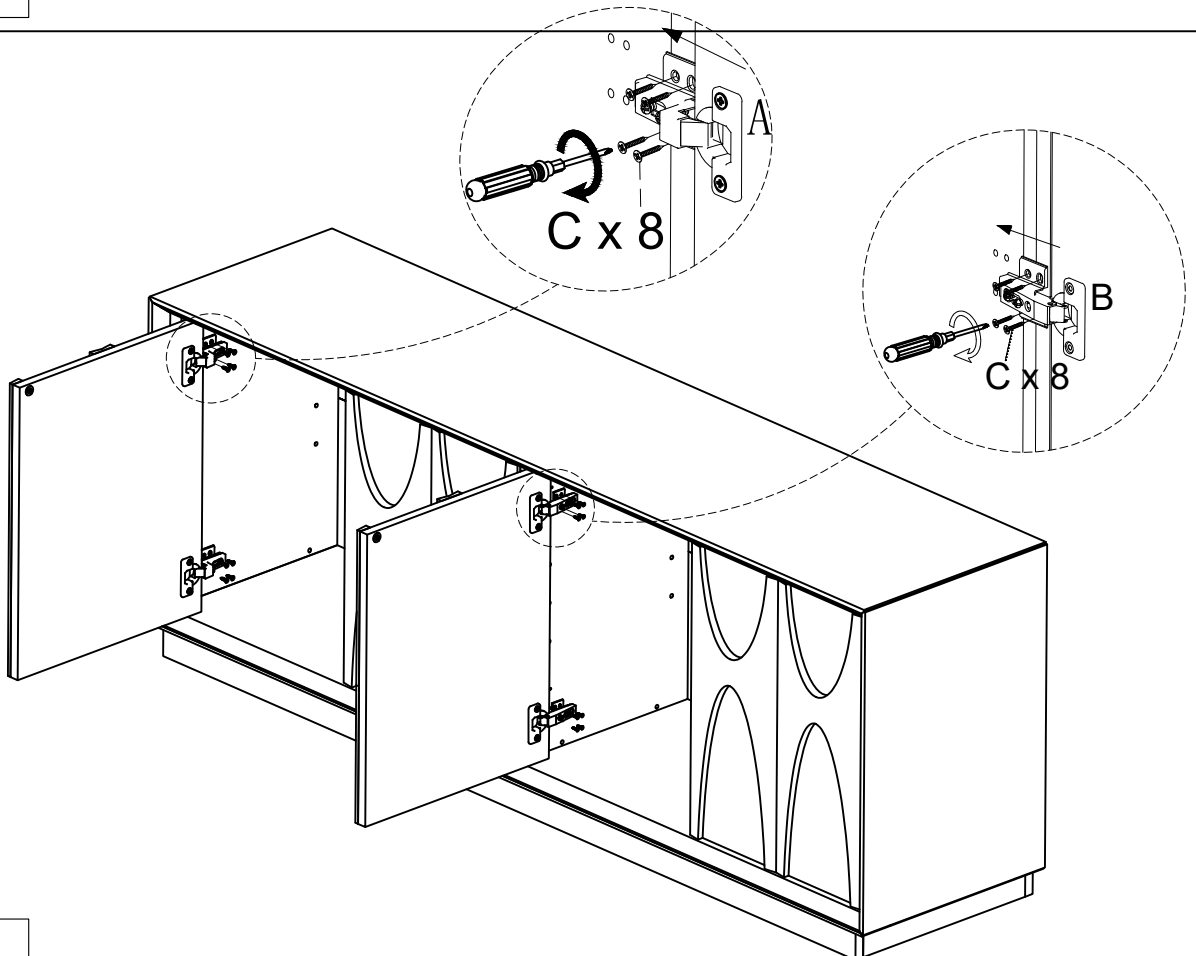
				
B	Smaller cuts fit in the middle doors	4PC	C	Ø4x14mm screws
				8PC

Step 11



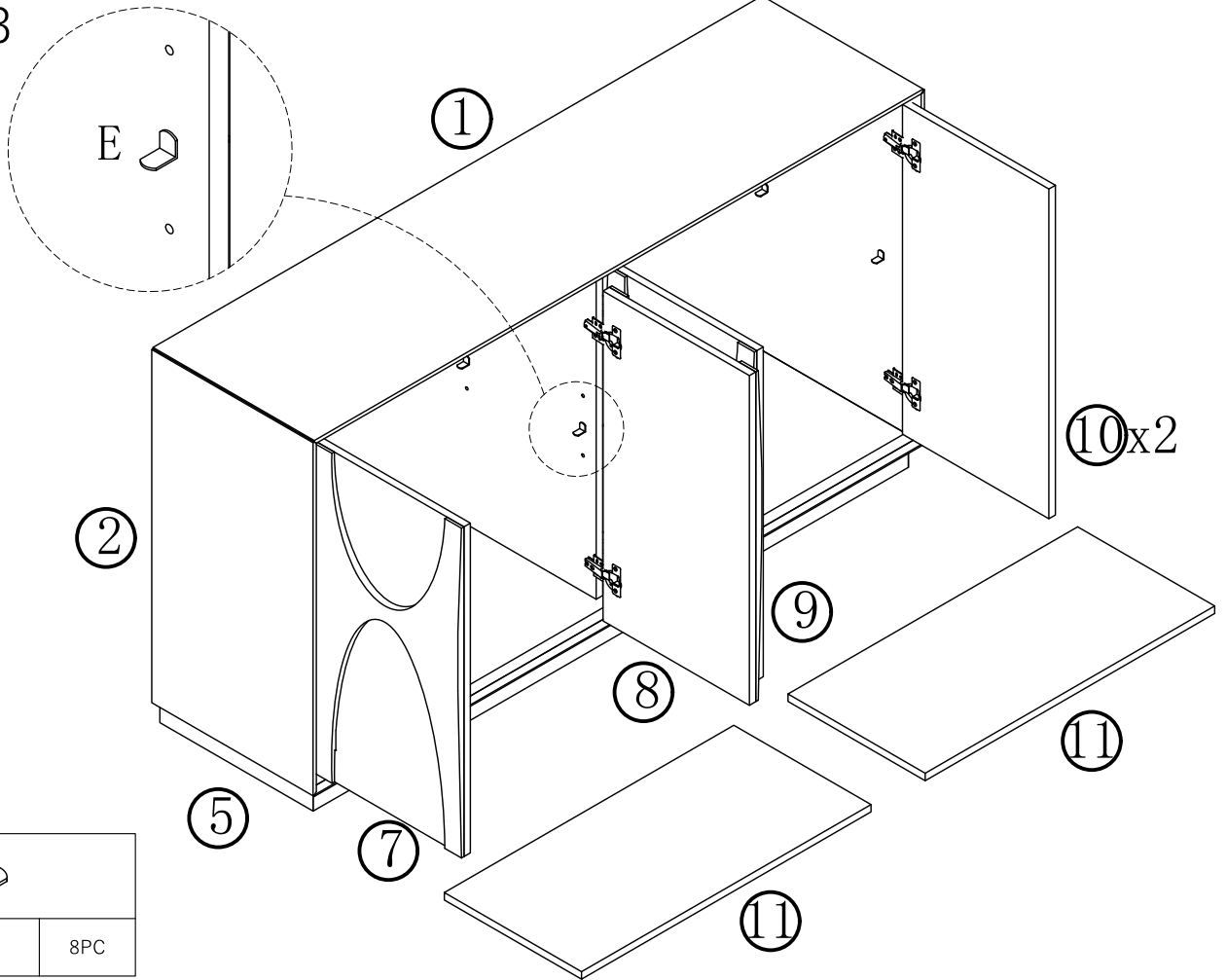
		
C	Ø4x16mm screws	16PC


Step 12



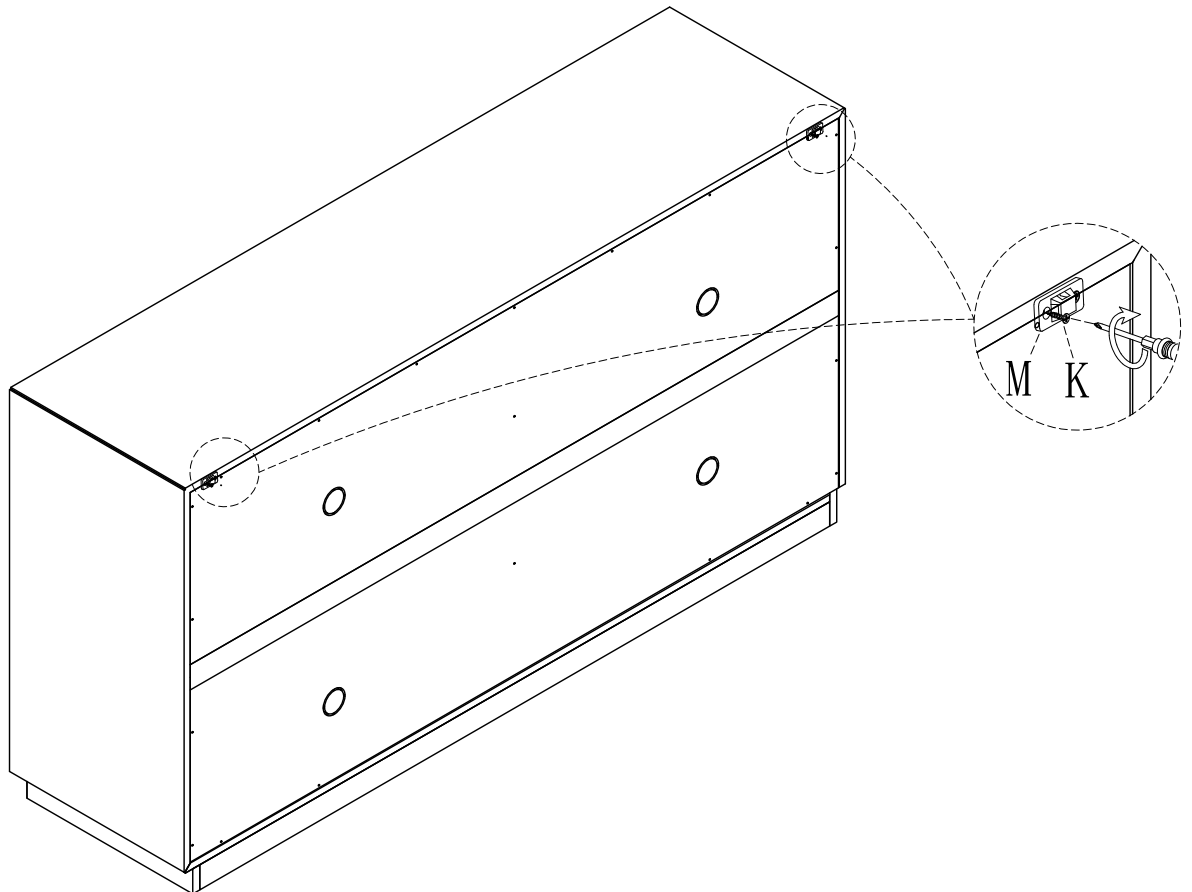
		
C	Ø4x16mm screws	16PC



Step 13



		
E	Bracket	8PC

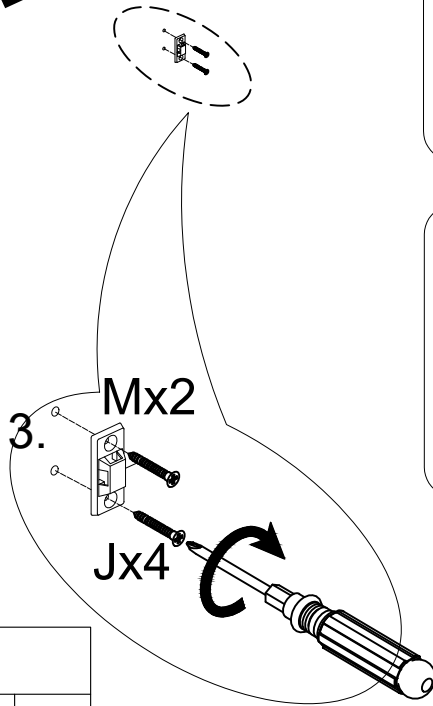
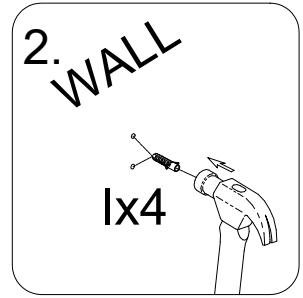
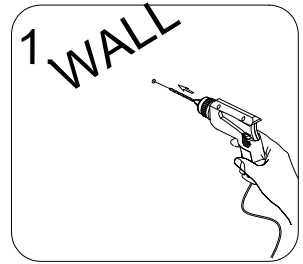
Step 14



			
M	Mounting Brackets	2PC	K M3.5x19mm screws 4PC

Step 15

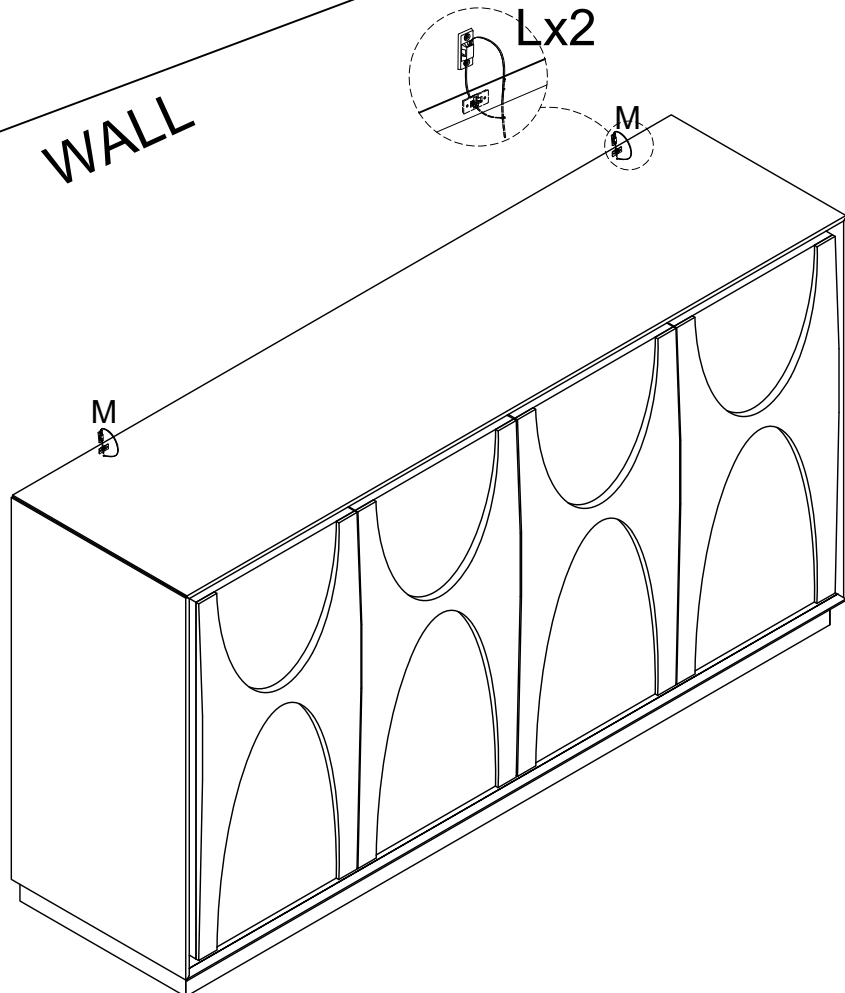
WALL



M	I	J
Mounting Brackets	Plastic Anchor (Wall Plug)	M3.5x38mm screws
2PC	4PC	4PC

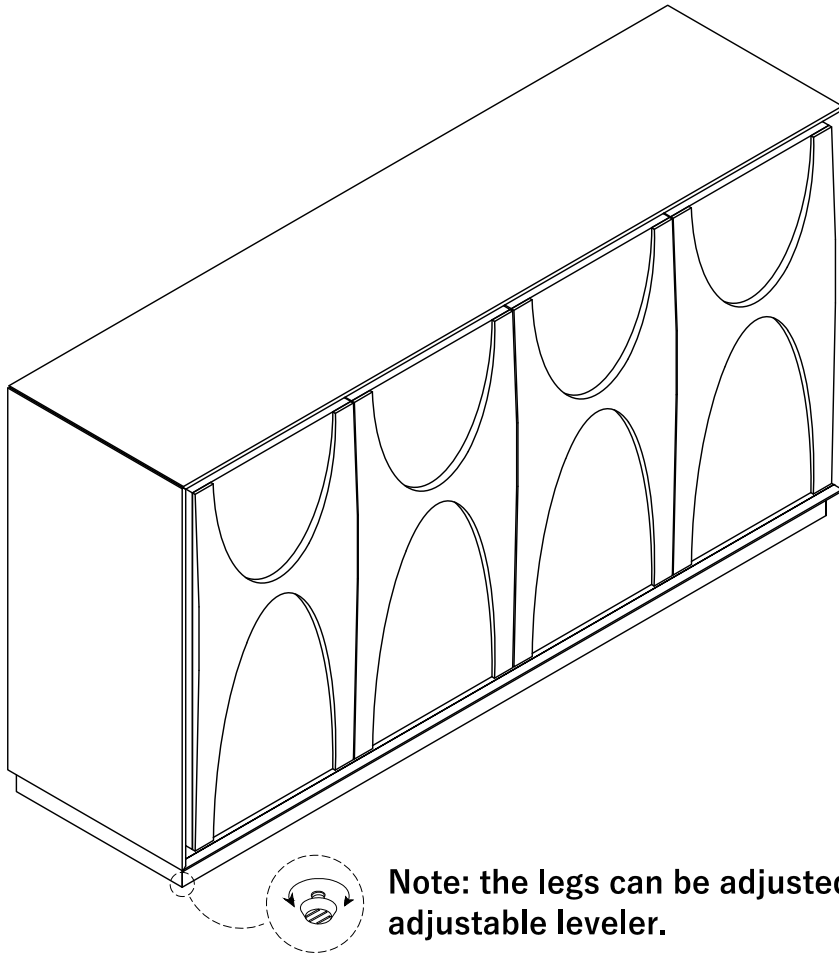
Step 16

WALL

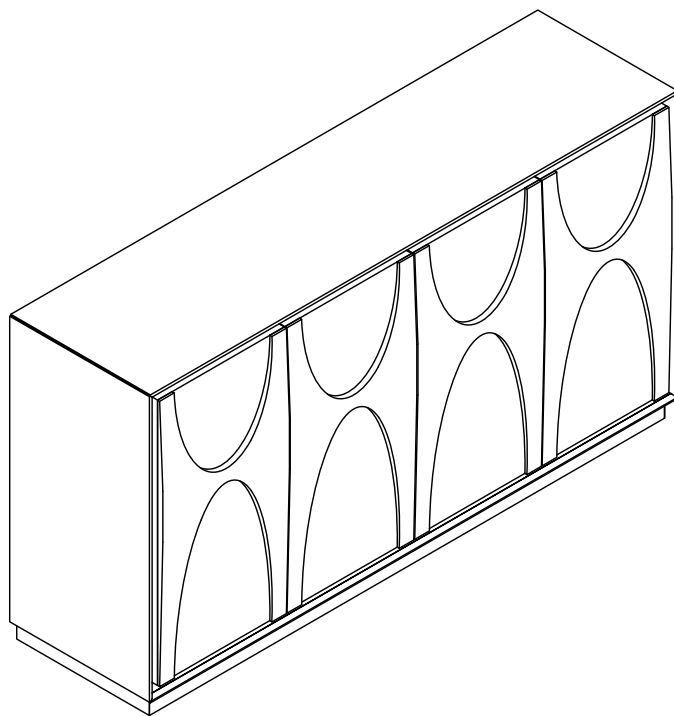


L
Nylon Restraint Strap
2PC

Step 17



Note: the legs can be adjusted with adjustable leveler.



Your Item is ready for use.
This Item should only be used on a flat, level surface.

Care & Maintenance

- Furniture may scratch the floor. We recommend using furniture pads to protect your floors.
- Do not put hot items directly on furniture surface.
- Do not clean furniture with harsh cleansers or polishers.
- Do not place furniture under direct sunlight.
- Do not place furniture near heating or cooling vents.
- Do not expose the product to high temperatures or humid environments.
- Do not write on furniture without a padded barrier to protect the surface.
- Do not place furniture outside. For indoor use only.
- Stains may be removed with mild soap solution and damp cloth.
- Children should not climb or jump on the furniture.
- Dust and clean up spills using a clean, non-colored, lint-free cloth.
- Regularly check screws to ensure stability.

Dear Customer,

Thank you for your purchase! We are committed to providing you with high-quality products and services. We hope you enjoy the comfort and convenience brought by this Item. If you have any further questions or any quality issues, please show the below number and don't hesitate to contact our Customer Service People.