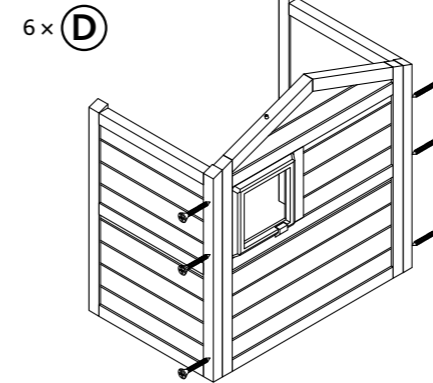


## Part List & Assembling Instruction

Pos.	Description		Measurement	Quantity	Item
1	Front Panel		24.25 × 16.5 × 1 in. (617 × 425 × 30 mm)	1	
2	Back Wall		24.25 × 28.5 × 1 in. (617 × 725 × 30 mm)	1	
3	Side Panel, universal		16.75 × 24 × 1 in. (426 × 613 × 30 mm)	2	
4	Roof Panel, left		20.5 × 16 × 1.25 in. (524 × 410 × 34 mm)	1	
5	Roof Panel, right		20.5 × 16 × 1.25 in. (524 × 410 × 34 mm)	1	
6	Flooring Part		24 × 14 × 0.5 in. (615 × 360 × 14 mm)	1	
7	Roof Ridge		21.5 × 2.75 × 1.5 in. (550 × 73 × 39 mm)	1	
8	Stairs		24 × 0.5 × 0.75 in. (615 × 18 × 20 mm)	1	
9	2-Way cat flap		8.25 × 8.25 in. (210 × 210 mm)	2	

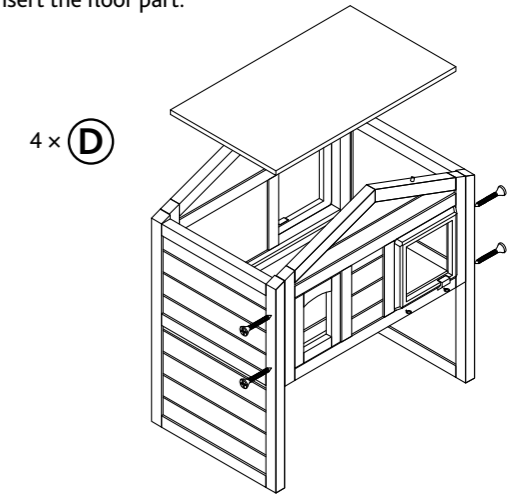
Pos.	Description		Size	Quantity	Item
A	Countersunk screw		∅ 0.118 × 0.629 in. (∅ 3 × 16 mm)	4+1	
B	Countersunk screw		∅ 0.138 × 0.984 in. (∅ 3.5 × 25 mm)	2+1	
C	Countersunk screw		∅ 0.138 × 1.378 in. (∅ 3.5 × 35 mm)	4+1	
D	Countersunk screw		∅ 0.138 × 2.165 in. (∅ 3.5 × 55 mm)	10+1	
E	Hardware set for cat flap			1	
F	Replacement flap		5.75 × 6 in. (147 × 158 mm)	1	
G	Frame for cat flap			1	

Fix the back wall (2) to the side panel (3).



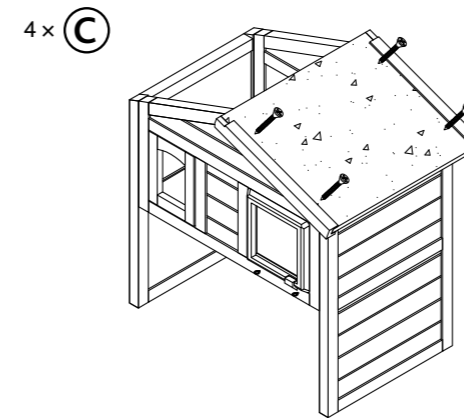
1.

Fix the front part (1) to the side panel (3).  
Insert the floor part.



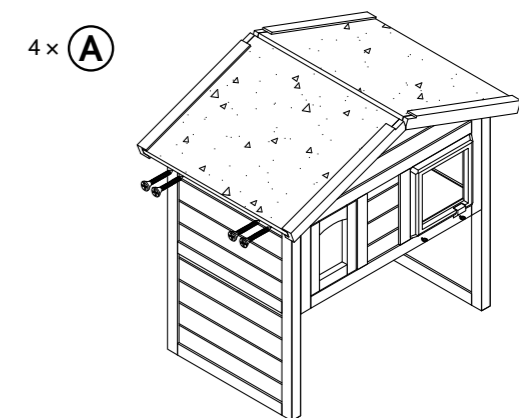
2.

Fix the roof (5) to the house.



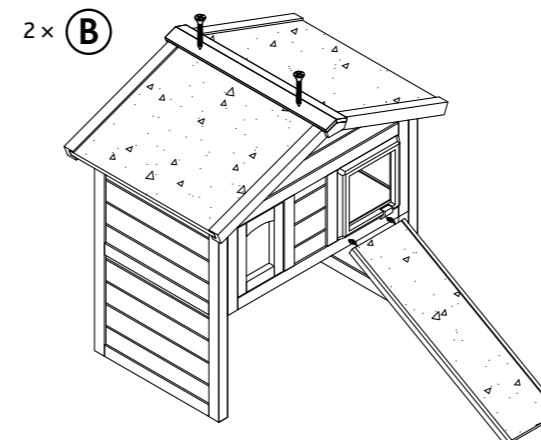
3.

Fix the roof (4) to the house.



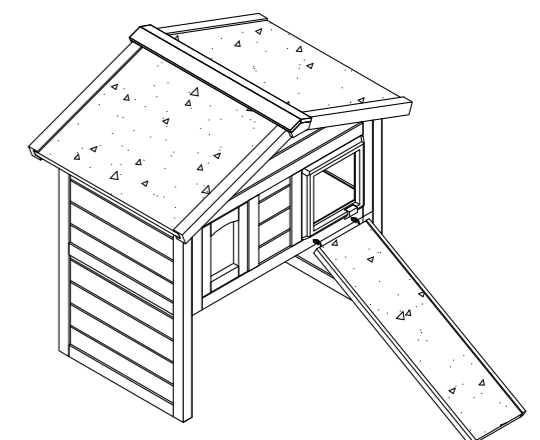
4.

Fix the ridge (7) to the roofs (4/5).



5.

Finish.



6.