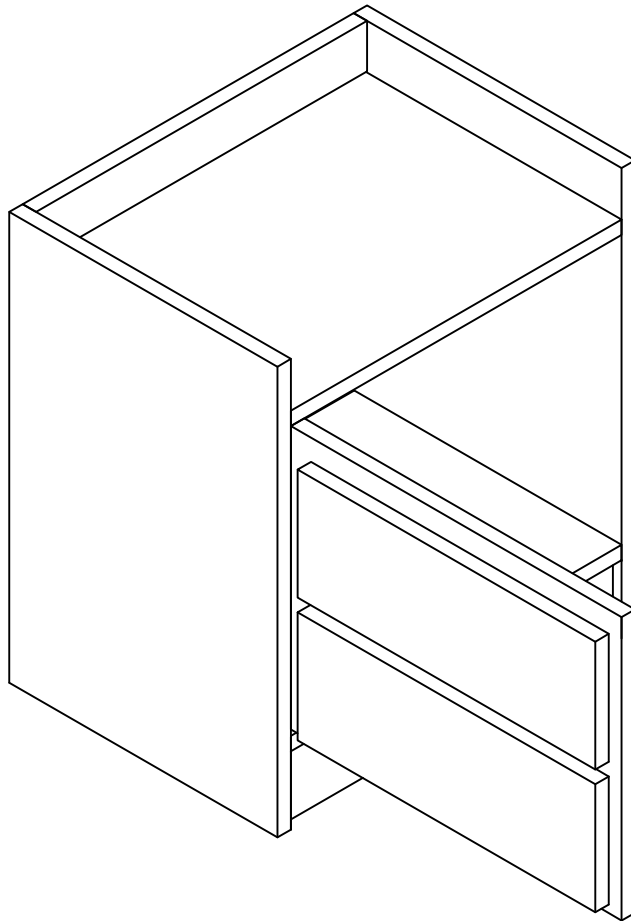


# Night Stand

## Assembly Instruction

Contains One Night Stand and Hardware



# Night Stand

Contains One (1) Night Stand and Hardware

## IMPORTANT NOTE:

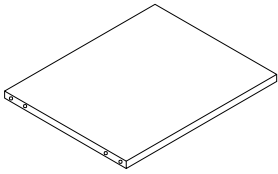
Carefully remove all the parts from the box. Arrange on a flat surface and verify you have all of the following parts and hardware

## TOOLS REQUIRED:

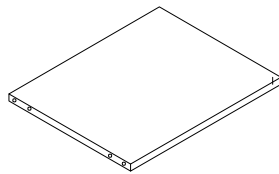
-Phillips Screwdriver  
-Hammer

# PARTS LIST

1.Top Panel (1 PC)



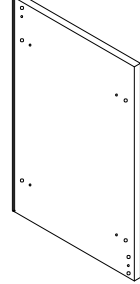
2.Bottom Panel (1 PC)



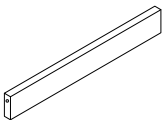
3.Left Panel (1 PCS)



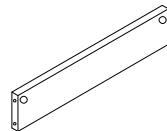
4.Right Panel (1 PCS)



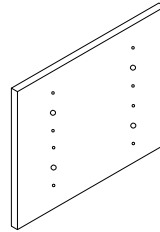
5.Top Support Bar (1 PCS)



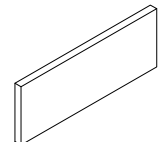
6.Plinth Panel (1 PCS)



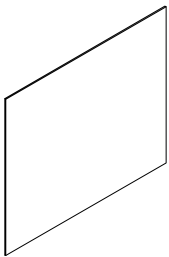
7.Door Panel (1 PC)



8.Door Front Panel (2 PC)

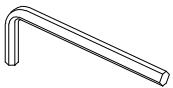


9.Back Panel (1 PC)

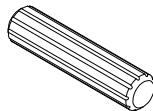


# HARDWARE LIST

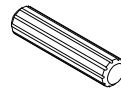
A.Allen Key (1 PCS)



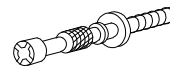
B.Dowel (12 PCS)



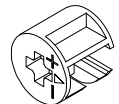
C.Wood Dowel (4 PCS)



D.Minifix Bolt (12 PC)



E.Minifix House (12 PC)



F.Minifix Cap (12 PC)



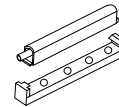
G.Screw 30mm (8 PCS)



H.Screw 16mm (4 PCS)



I.Door Spring (1 PCS)



J.Magnet Spring (1 PCS)



K.Door Support (2 PCS)



L.White Nail (4 PCS)



M.Nail (16 PCS)

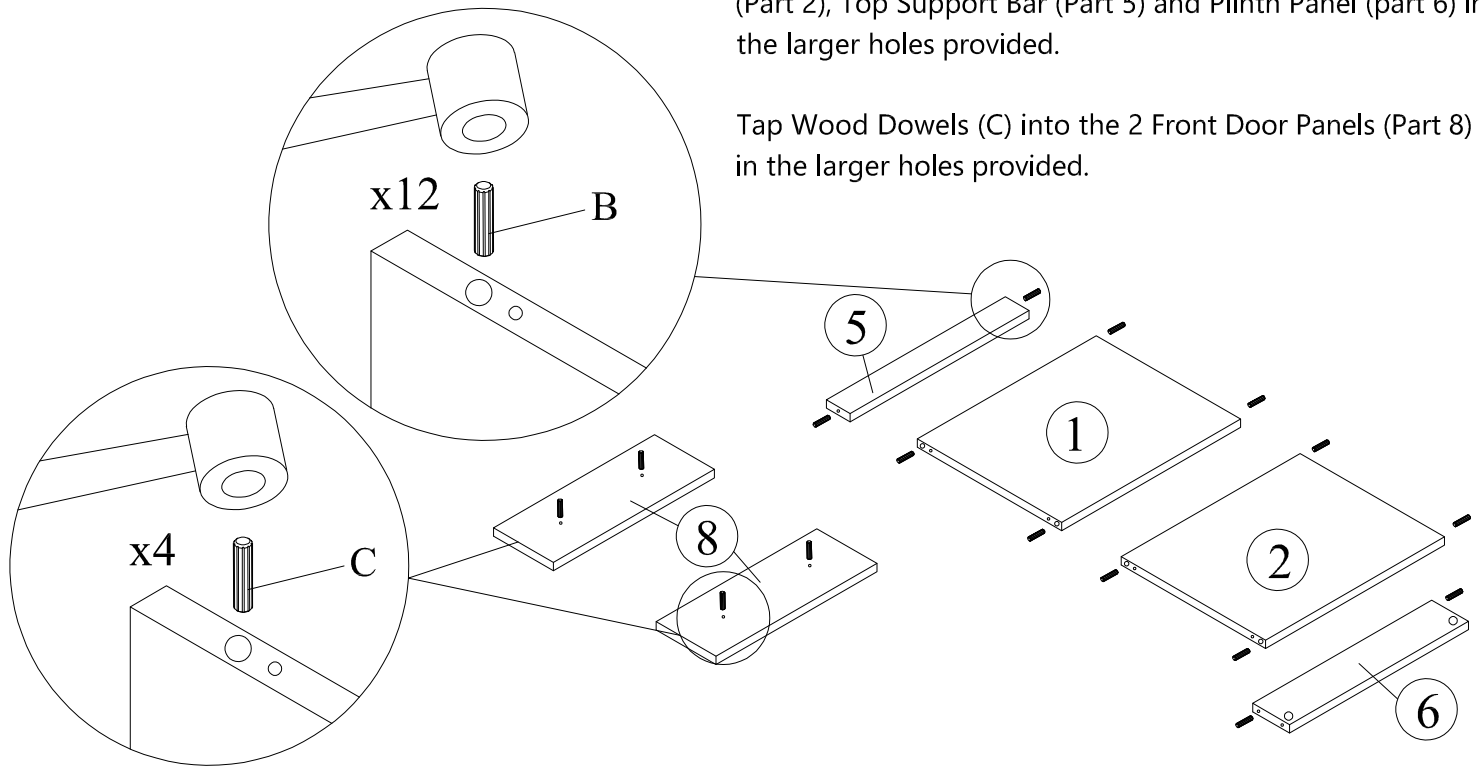


# ASSEMBLY INSTRUCTIONS

## STEP 1

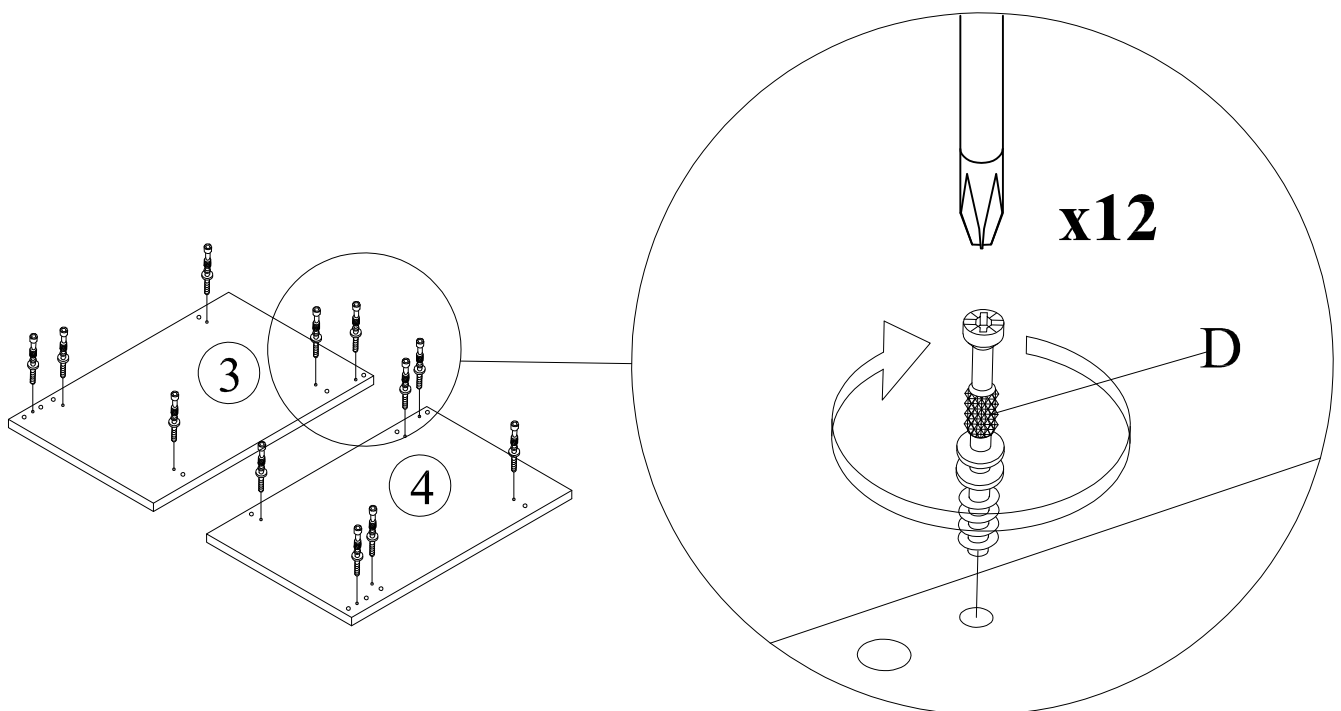
Tap Dowels (B) into the Top Panel (Part 1), Bottom Panel (Part 2), Top Support Bar (Part 5) and Plinth Panel (part 6) in the larger holes provided.

Tap Wood Dowels (C) into the 2 Front Door Panels (Part 8) in the larger holes provided.



## STEP 2

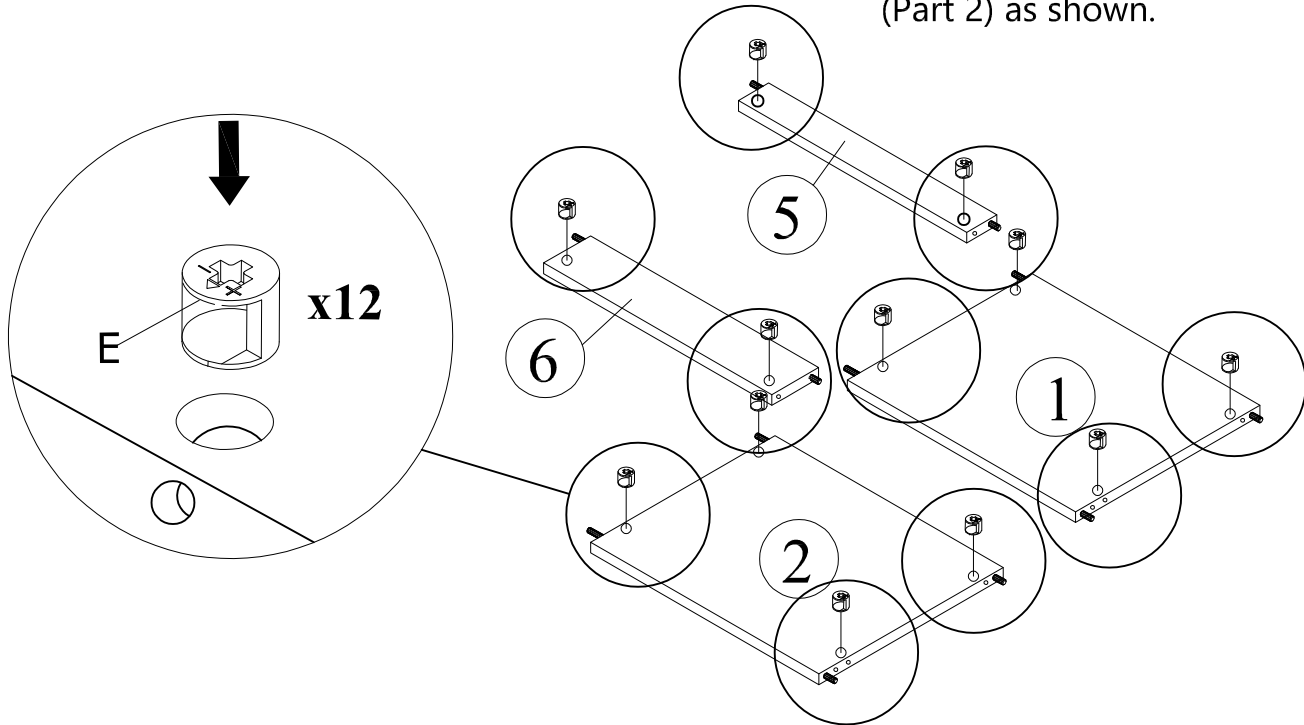
Screw in the Minifix Bolt (D) into the Left Panel (Part 3) and the Right Panel (Part 4) in the smaller holes provided.



# ASSEMBLY INSTRUCTIONS

## STEP 3

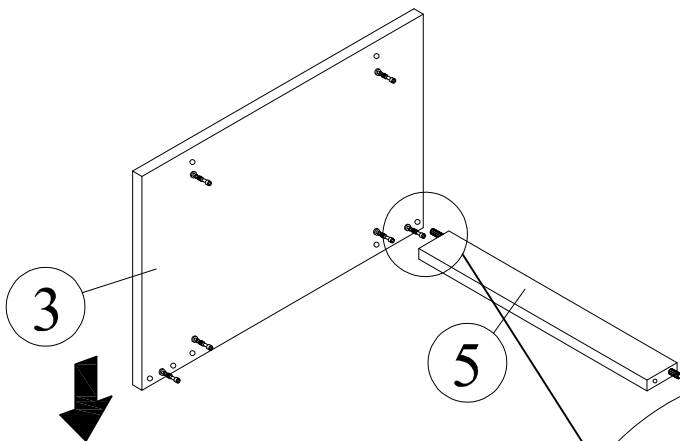
Insert Minifix House (Part E) into Top Support Bar (Part 5), Plinth Panel (Part 6), Top Panel (Part 1) and Bottom Panel (Part 2) as shown.



## STEP 4

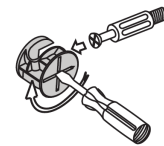
Attach Top Support Bar (Part 5) to Left Panel (part 3) as shown. Turn the Minifix House to tighten using the Allen Key.

Cover the Minifix House using the Minifix Cap (F) by pressing it into the Minifix House.

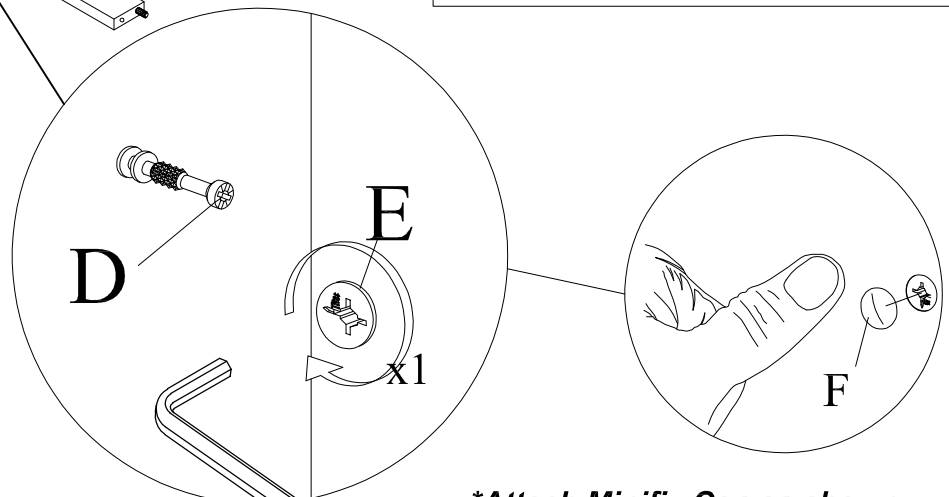


*\*Without edging/veneer facing downward*

This is how a mini fix works...



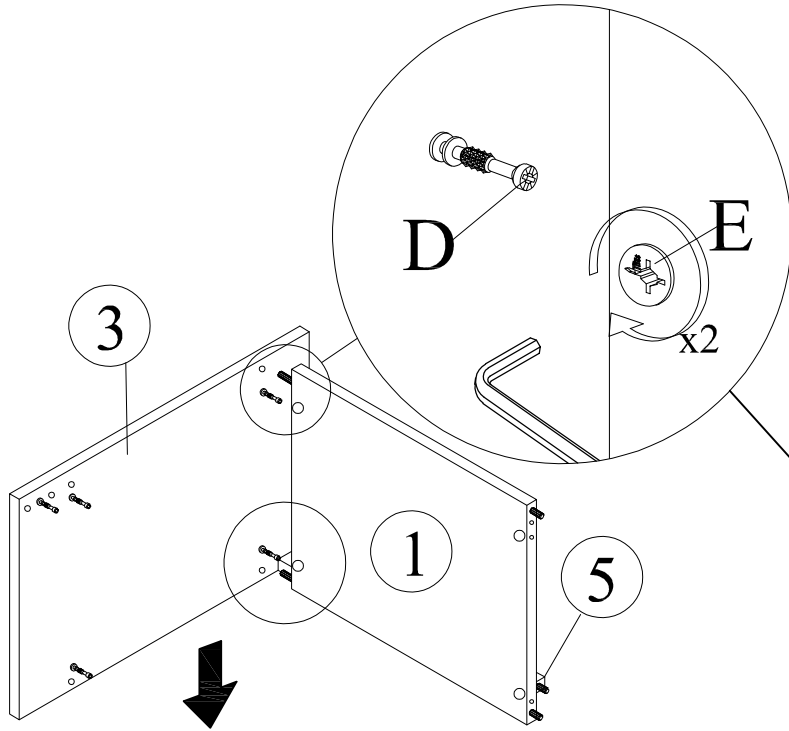
The head of the mini fix housing goes into the open mouth of the mini fix bolt. You then turn the mini fix housing so it tightens over the mini fix bolt.



*\*Attach Minifix Cap as shown.*

# ASSEMBLY INSTRUCTIONS

## STEP 5

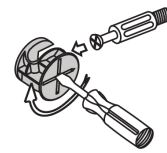


***\*Without edging/veneer facing downward***

Attach Top Panel (Part 1) to the Left Panel (Part 3) as shown. Tighten by turning the Minifix house (E) using the Allen Key.

Cover the Minifix House using the Minifix Cap (F) by pressing it into the Minifix House.

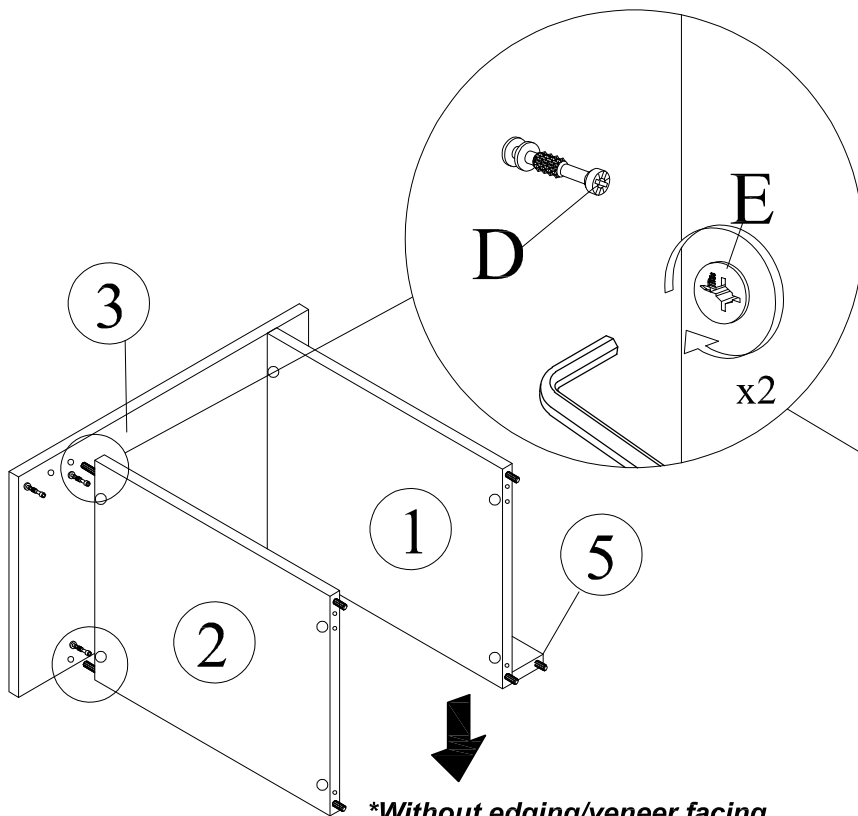
This is how a mini fix works...



The head of the mini fix housing goes into the open mouth of the mini fix bolt. You then turn the mini fix housing so it tightens over the mini fix bolt.

***\*Attach Minifix Cap as shown.***

## STEP 6

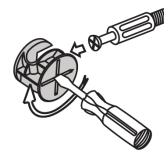


***\*Without edging/veneer facing downward***

Attach Bottom Panel (Part 2) to left Panel (Part 3) as shown. Tighten by turning the Minifix house (E) using the Allen Key.

Cover the Minifix House using the Minifix Cap (F) by pressing it into the Minifix House.

This is how a mini fix works...



The head of the mini fix housing goes into the open mouth of the mini fix bolt. You then turn the mini fix housing so it tightens over the mini fix bolt.

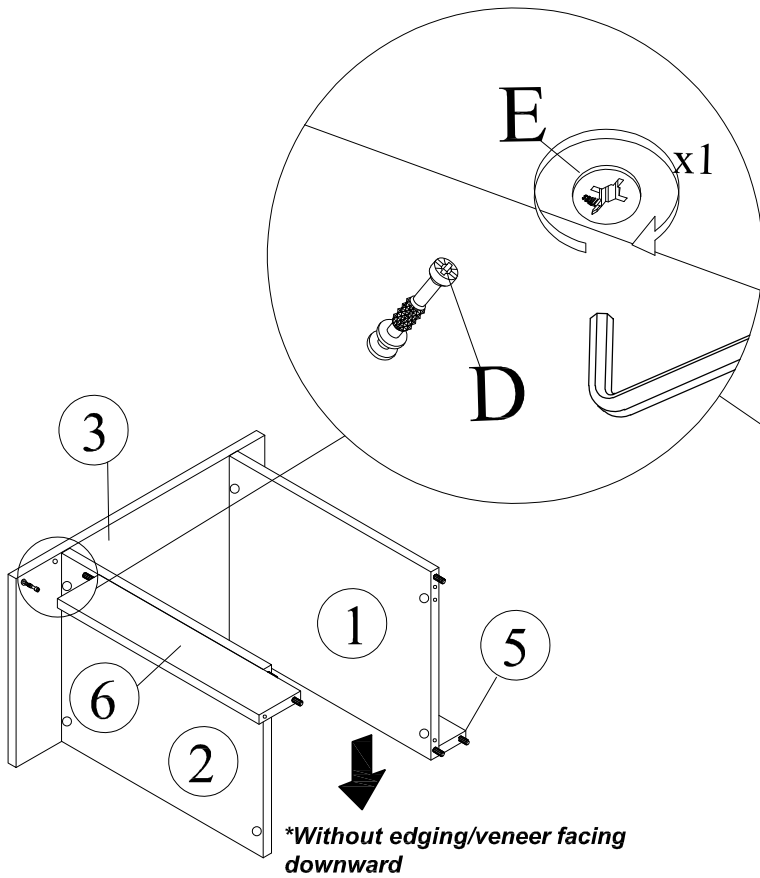
***\*Attach Minifix Cap as shown.***

# ASSEMBLY INSTRUCTIONS

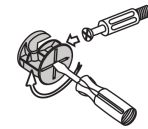
## STEP 7

Attach the Plinth Panel (Part 6) to the left panel (Part 3) as shown. Tighten by turning the Minifix house (E) using the Allen Key.

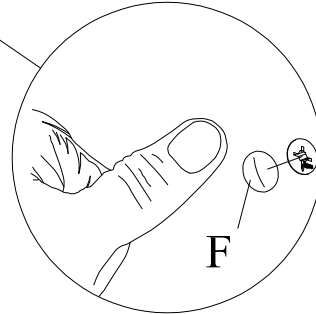
Cover the Minifix House using the Minifix Cap (F) by pressing it into the Minifix House



This is how a mini fix works...



The head of the mini fix housing goes into the open mouth of the mini fix bolt. You then turn the mini fix housing so it tightens over the mini fix bolt.

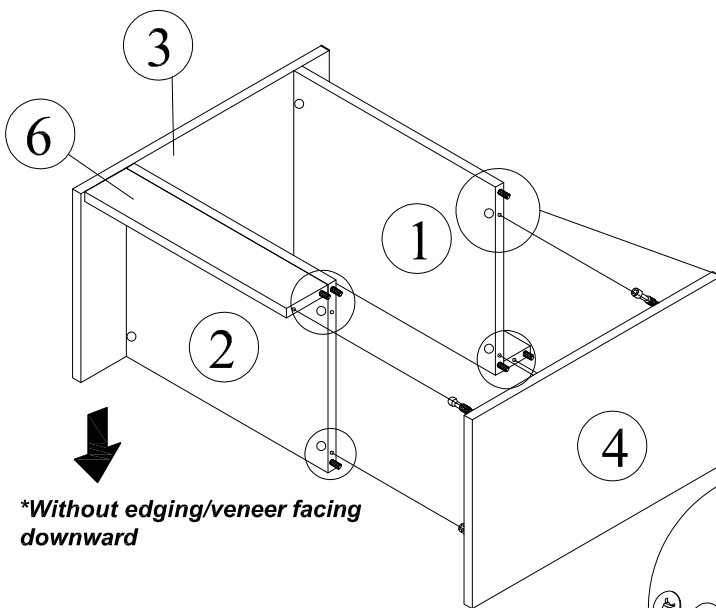


**\*Attach Minifix Cap as shown.**

## STEP 8

Attach the Right Panel (Part 4) to the Top Panel (Part 1) and the Plinth Panel (Part 6) as shown. Tighten by turning the Minifix house (E) using the Allen Key.

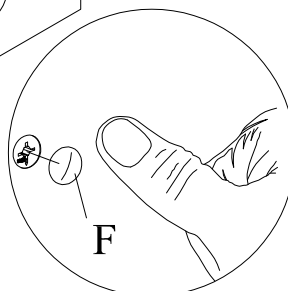
Cover the Minifix House using the Minifix Cap (F) by pressing it into the Minifix House.



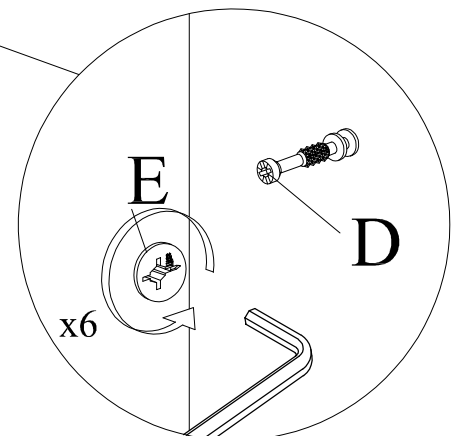
This is how a mini fix works...



The head of the mini fix housing goes into the open mouth of the mini fix bolt. You then turn the mini fix housing so it tightens over the mini fix bolt.



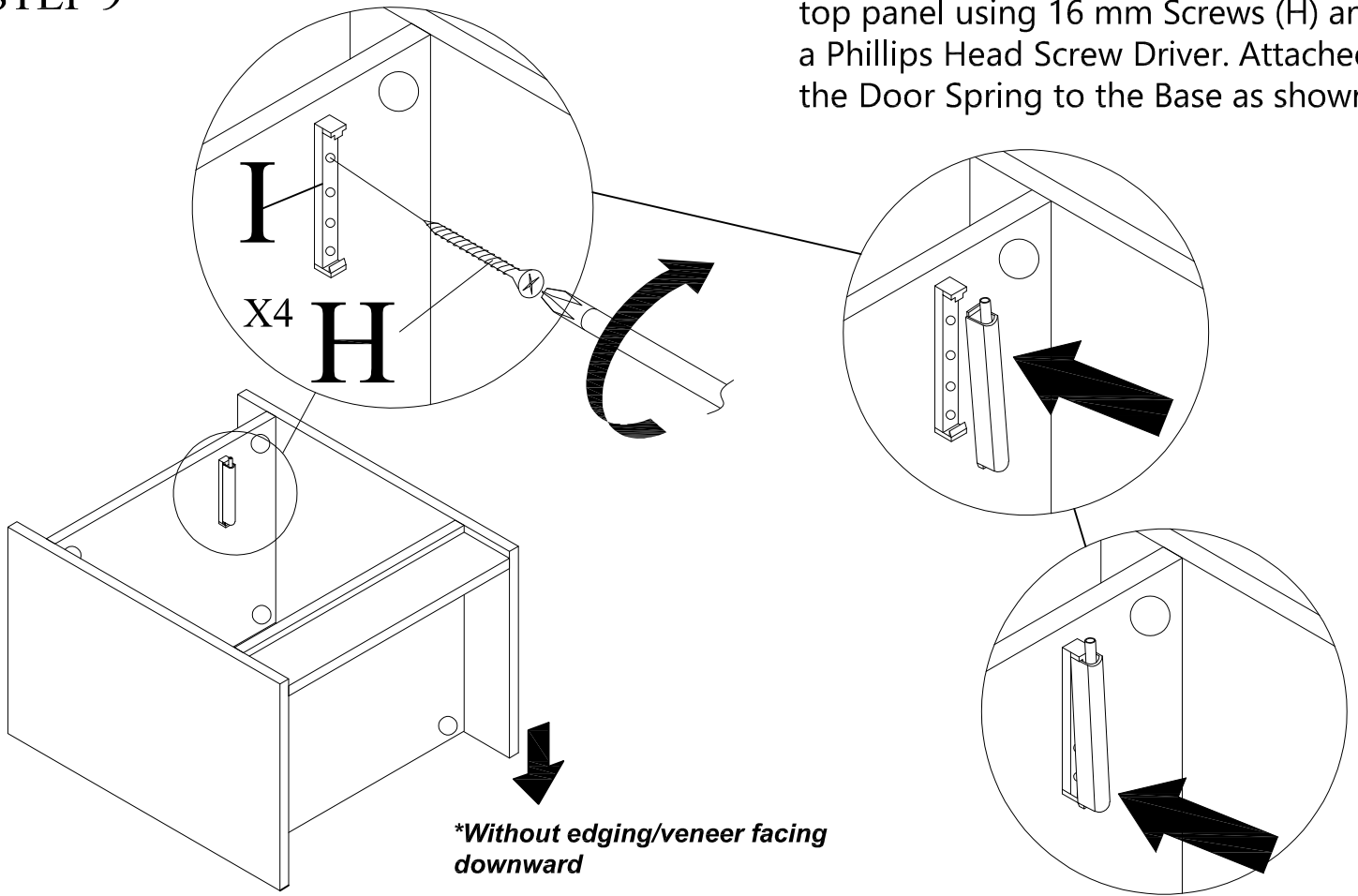
**\*Attach Minifix Cap as shown.**



# ASSEMBLY INSTRUCTIONS

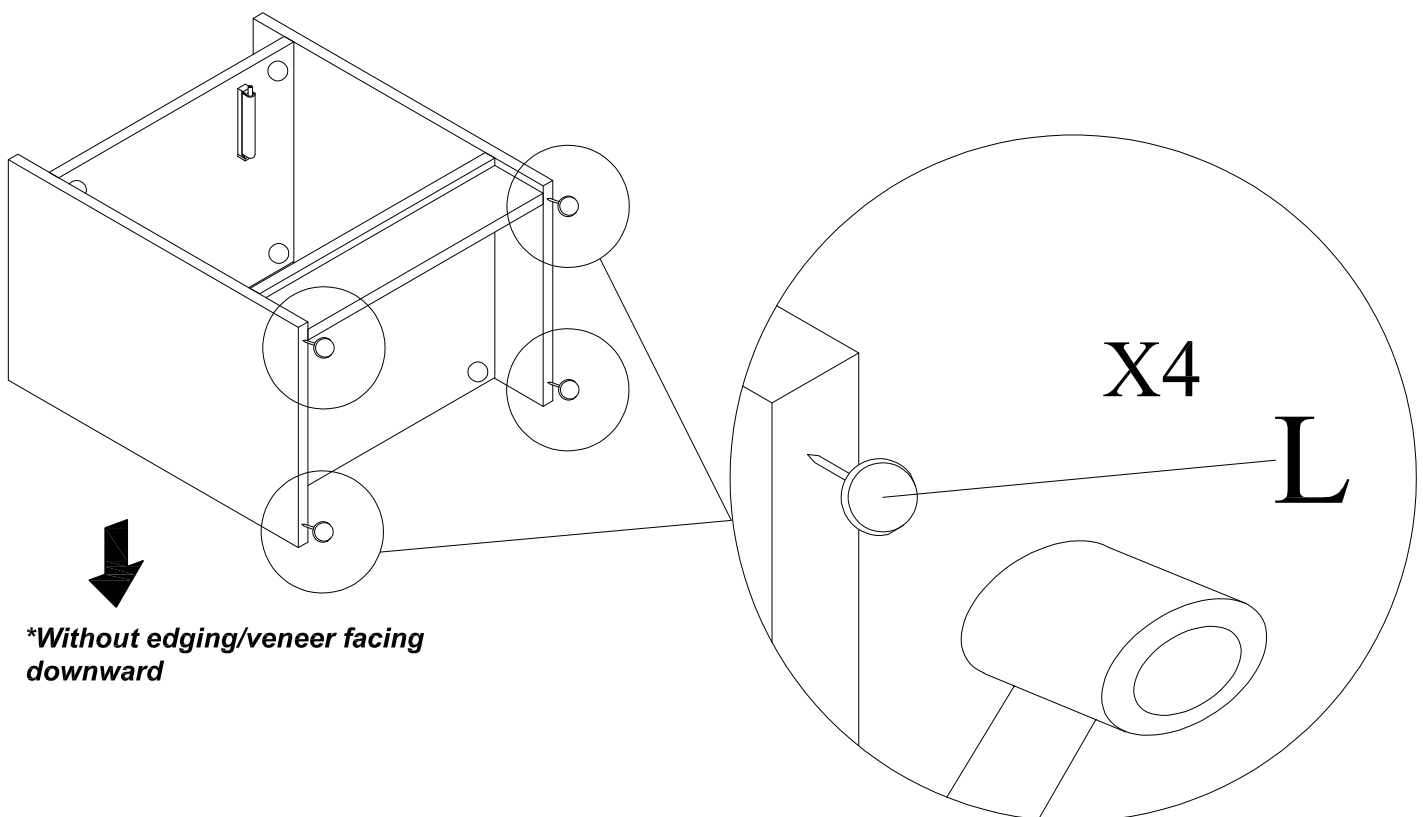
## STEP 9

Screw the Door Spring Base (I) into the top panel using 16 mm Screws (H) and a Phillips Head Screw Driver. Attached the Door Spring to the Base as shown.



## STEP 10

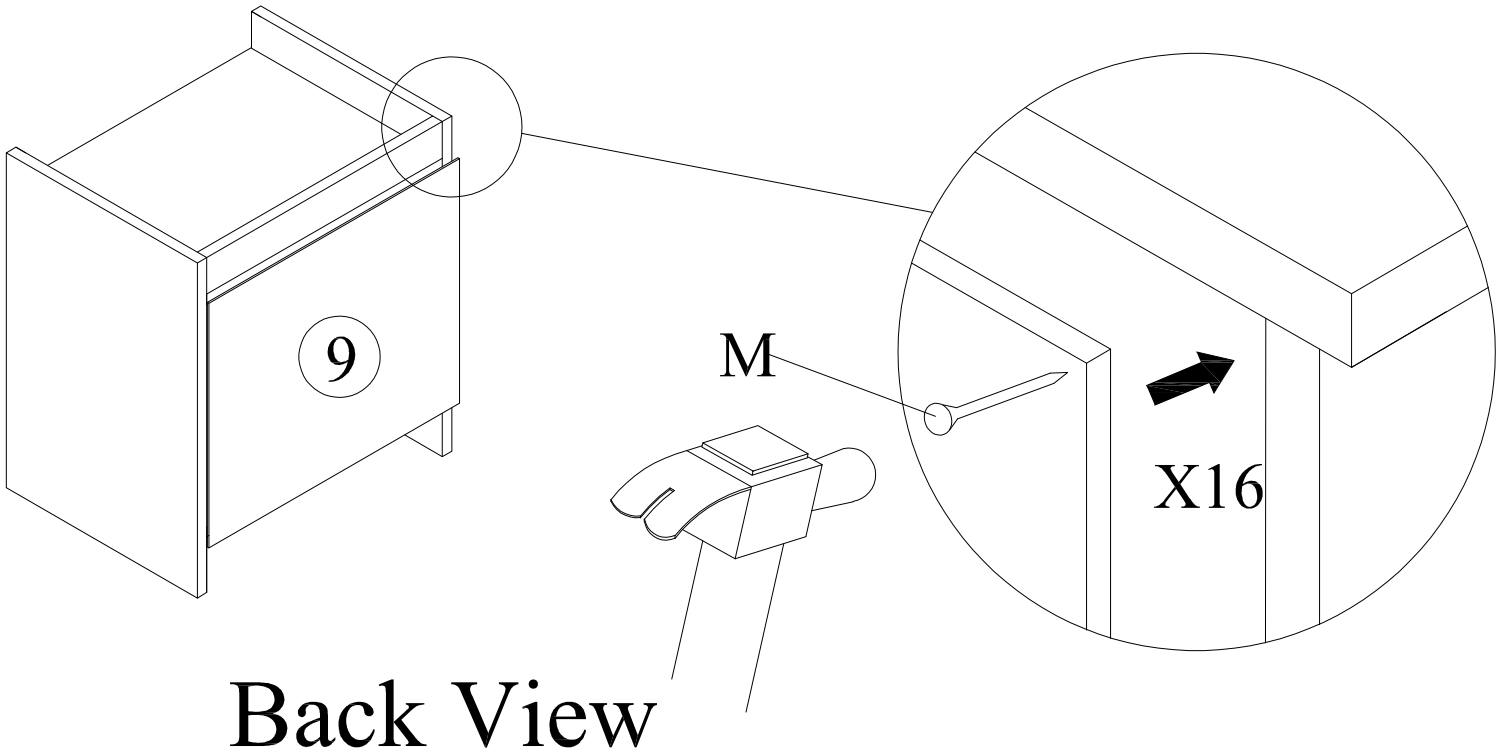
Tap the White Nails (L) to the bottom of the side boards as shown.



# ASSEMBLY INSTRUCTIONS

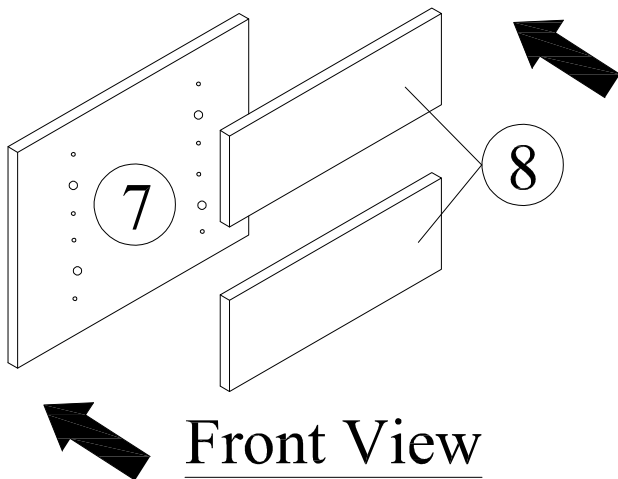
## STEP 11

Attach the Back Panel (Part 9) to the back of the Nightstand using 16 Nails (M) and a hammer.

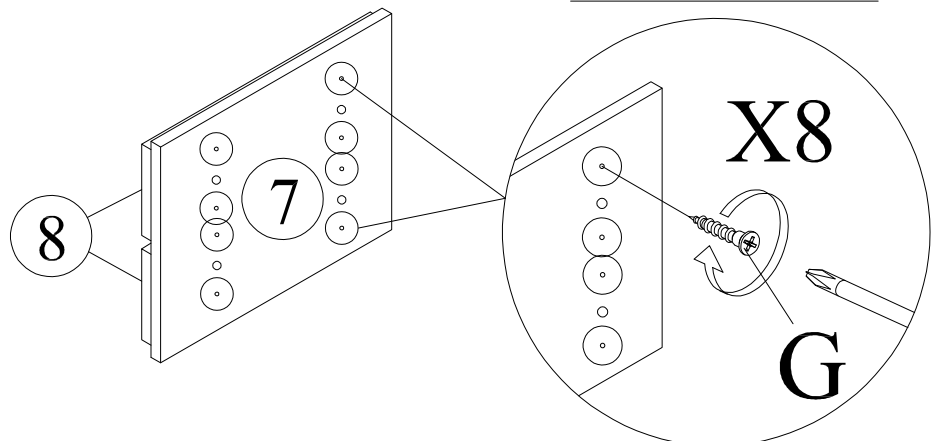


## STEP 12

Attach the Door Front Panels (Part 8) to the Door Panel (Part 7) using eight 30mm Screws (G) and a Phillips Head Screwdriver. Attach the screws in the holes indicated.



## Back View

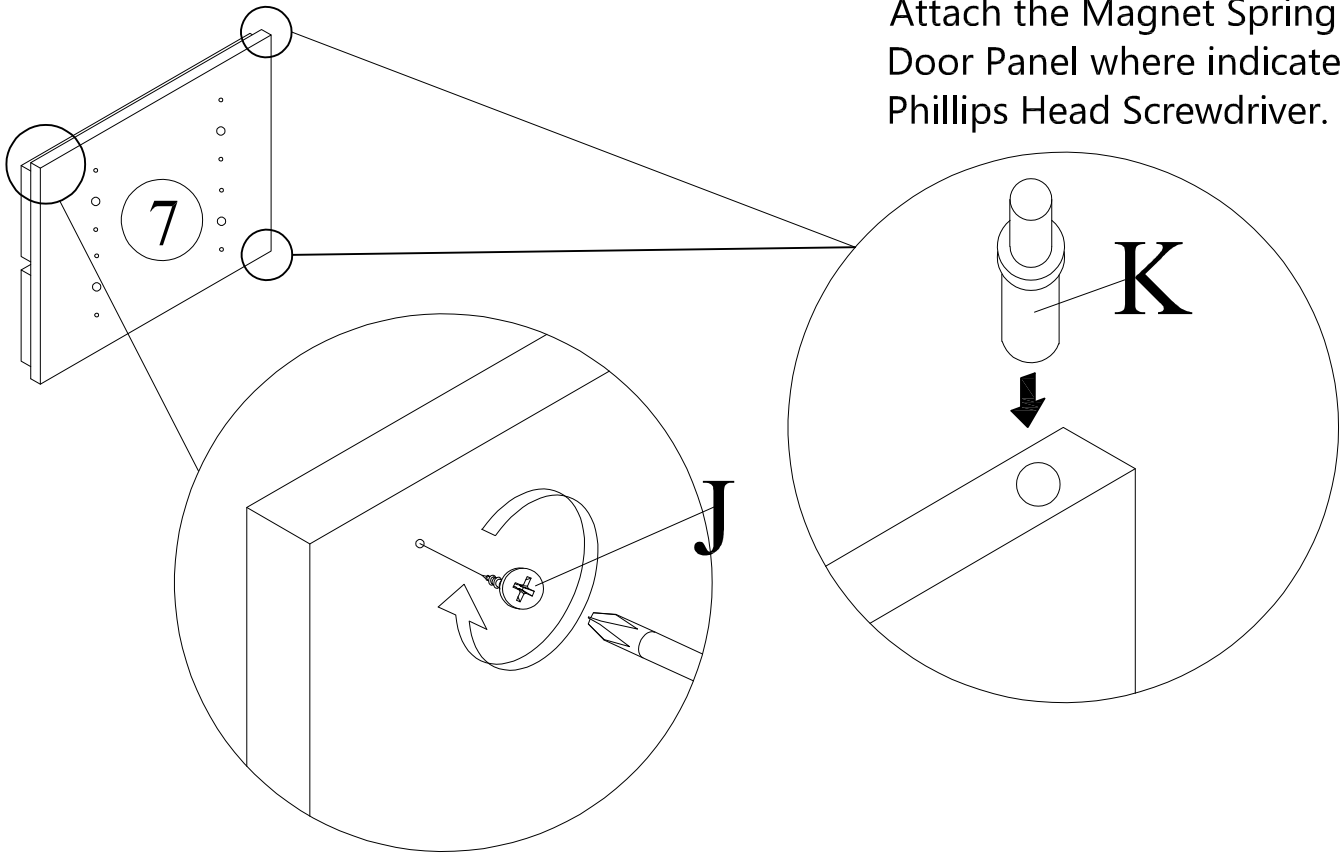


# ASSEMBLY INSTRUCTIONS

## STEP 13

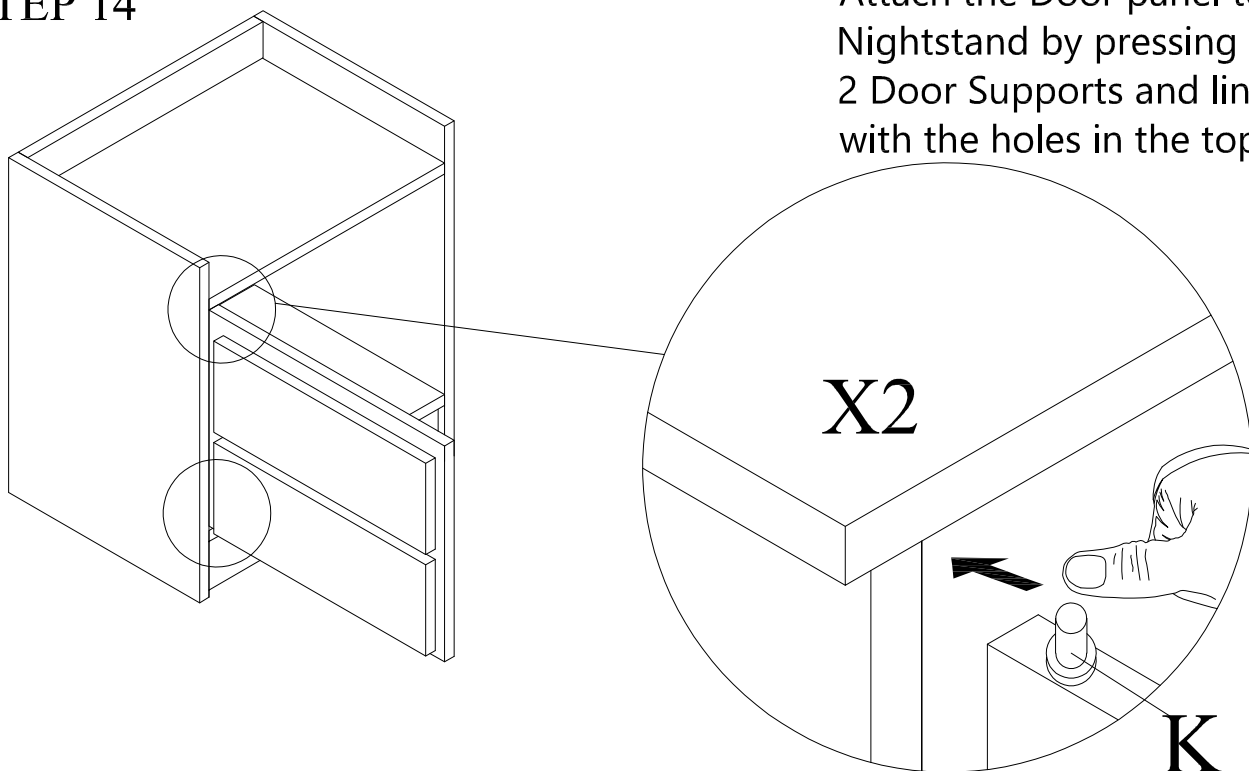
Insert the two Door Supports (K) in the holes indicated on the top and bottom of the Door Panel.

Attach the Magnet Spring (J) to the Door Panel where indicated using a Phillips Head Screwdriver.



## STEP 14

Attach the Door panel to the Nightstand by pressing down on the 2 Door Supports and lining them up with the holes in the top panel.



# ASSEMBLY INSTRUCTIONS

YOUR NIGHTSTAND IS NOW READY FOR USE

