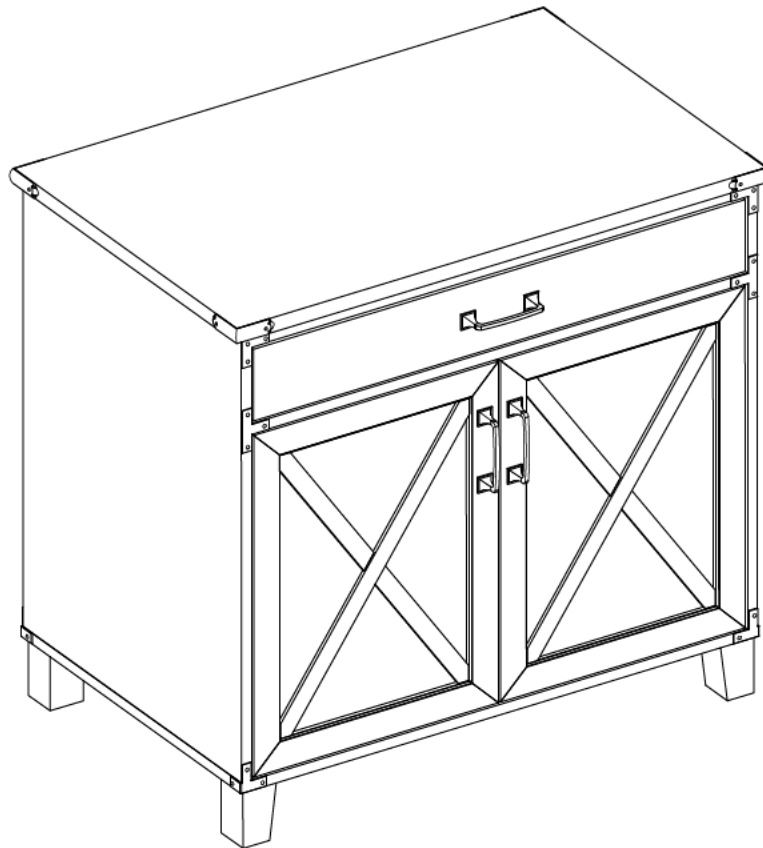


ASSEMBLY INSTRUCTIONS

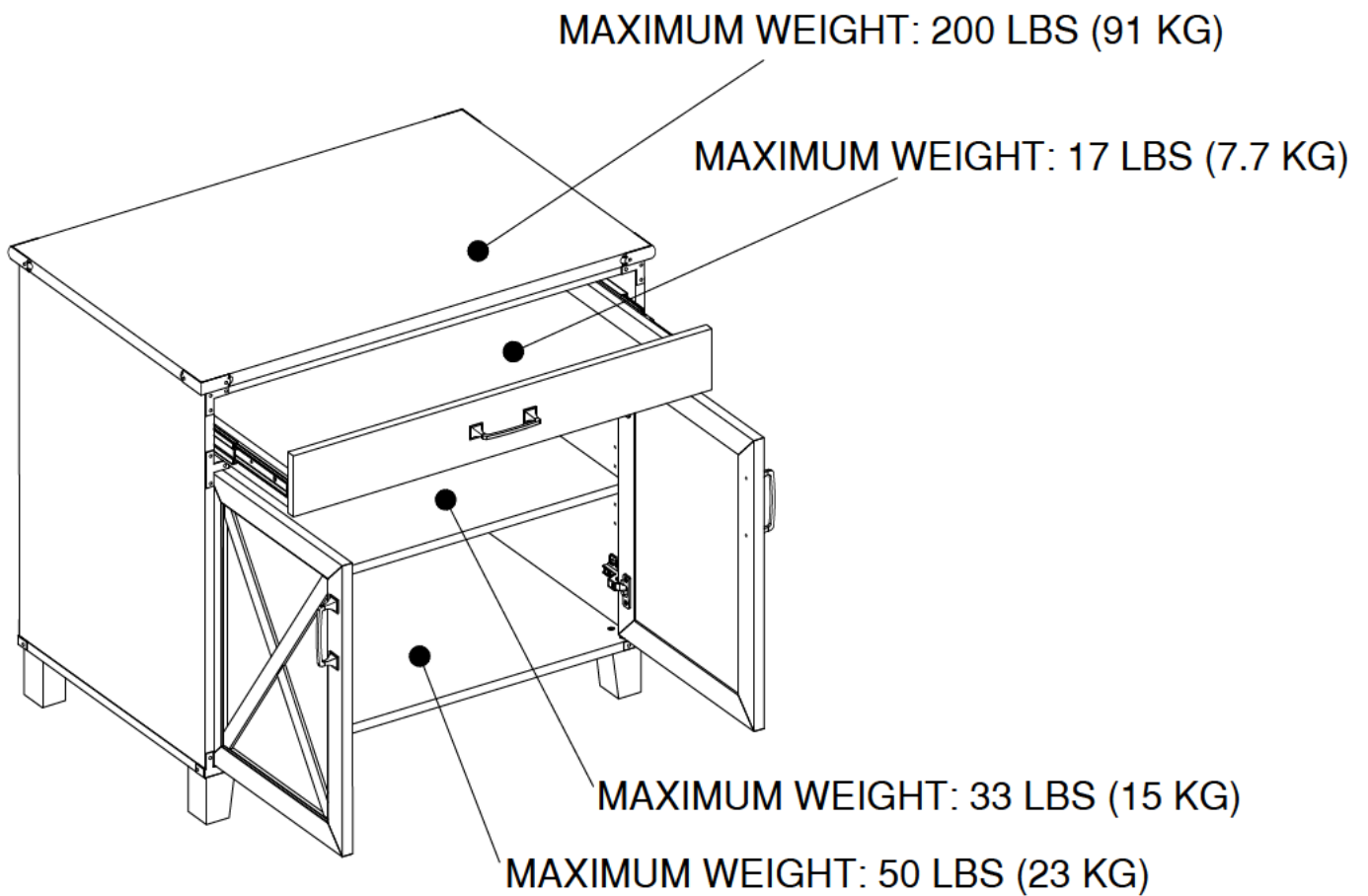
Important Safety Instructions:

- Please read all instructions before beginning assembly
- Please make sure receive all the parcels to start the assembly
- For your safety and convenience, assembly by two people is recommended
- Use the parts and hardware lists to identify and separate each of the components included
- Save all packing materials until assembly is completed to avoid the accidental discarding of smaller parts or hardware
- Use of power tools is not recommended



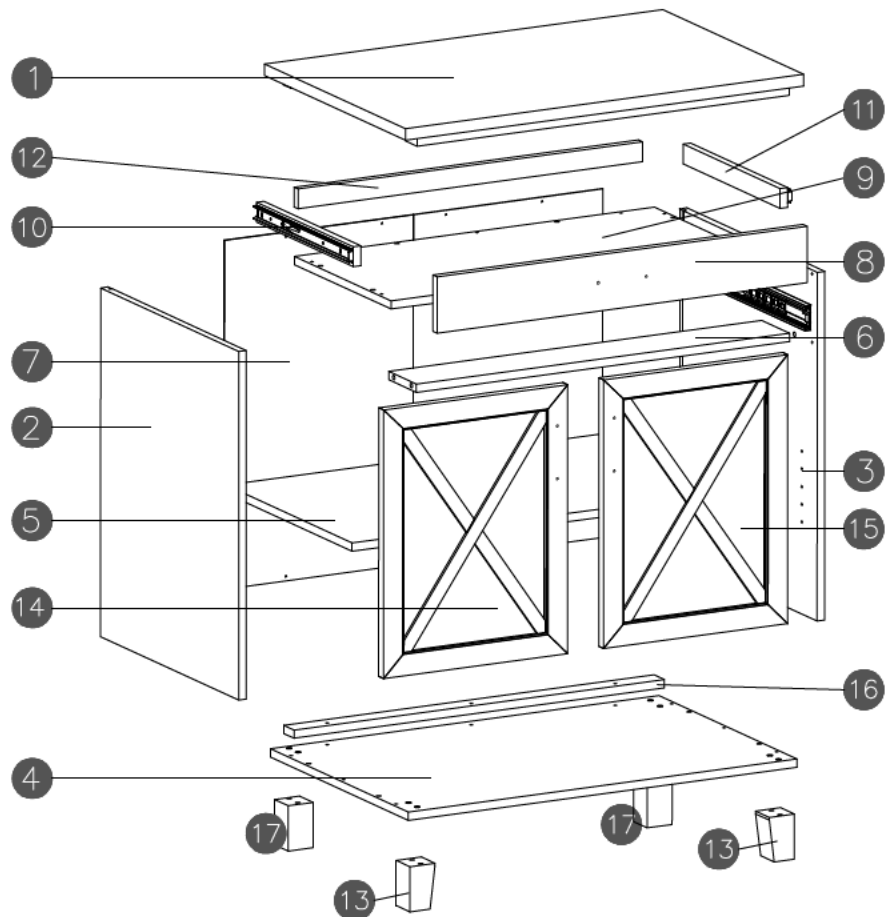
THANK YOU FOR PURCHASING

Maximum weight capacities




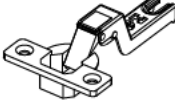



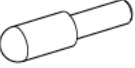
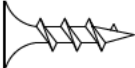
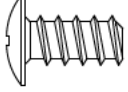
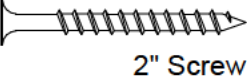
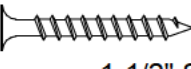
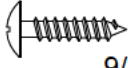
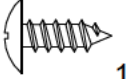



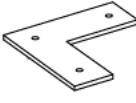
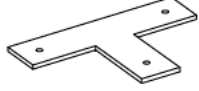
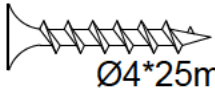
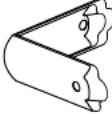
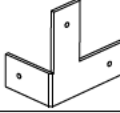
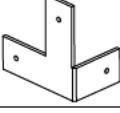
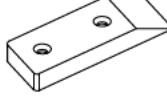
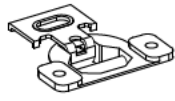
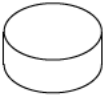


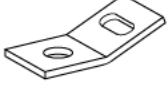
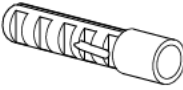

PARTS LIST

- | | |
|-------|--------|
| 1 X 1 | 10 X 1 |
| 2 X 1 | 11 X 1 |
| 3 X 1 | 12 X 1 |
| 4 X 1 | 13 X 2 |
| 5 X 1 | 14 X 1 |
| 6 X 1 | 15 X 1 |
| 7 X 1 | 16 X 1 |
| 8 X 1 | 17 X 2 |
| 9 X 1 | |



HARDWARE LIST

Name	Part	Qty.	Spare
A		6	1
B		6	1
C		16	1
D		4	
E		4	
F		3	
G		6	1
H		4	
I		20	2
J		2	
K	 2" Screw	14	
L	 1-1/2" Screw	7	
M	 9/16" Screw	2	
N	 1/2" Screw	8	
O	 5/6" nail	32	4

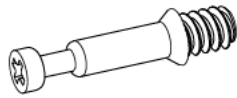
Name	Part	Qty.	Spare
P		2	
Q		2	
R	 Ø4*25mm	3	
S		4	
T		2	
V		2	
W		1	
X		2	
Y	 Bumper Ø10x4mm	2	
U1		2	
U2		2	
U3		4	
U4		2	
U5		2	

STEP 1

C x8pcs



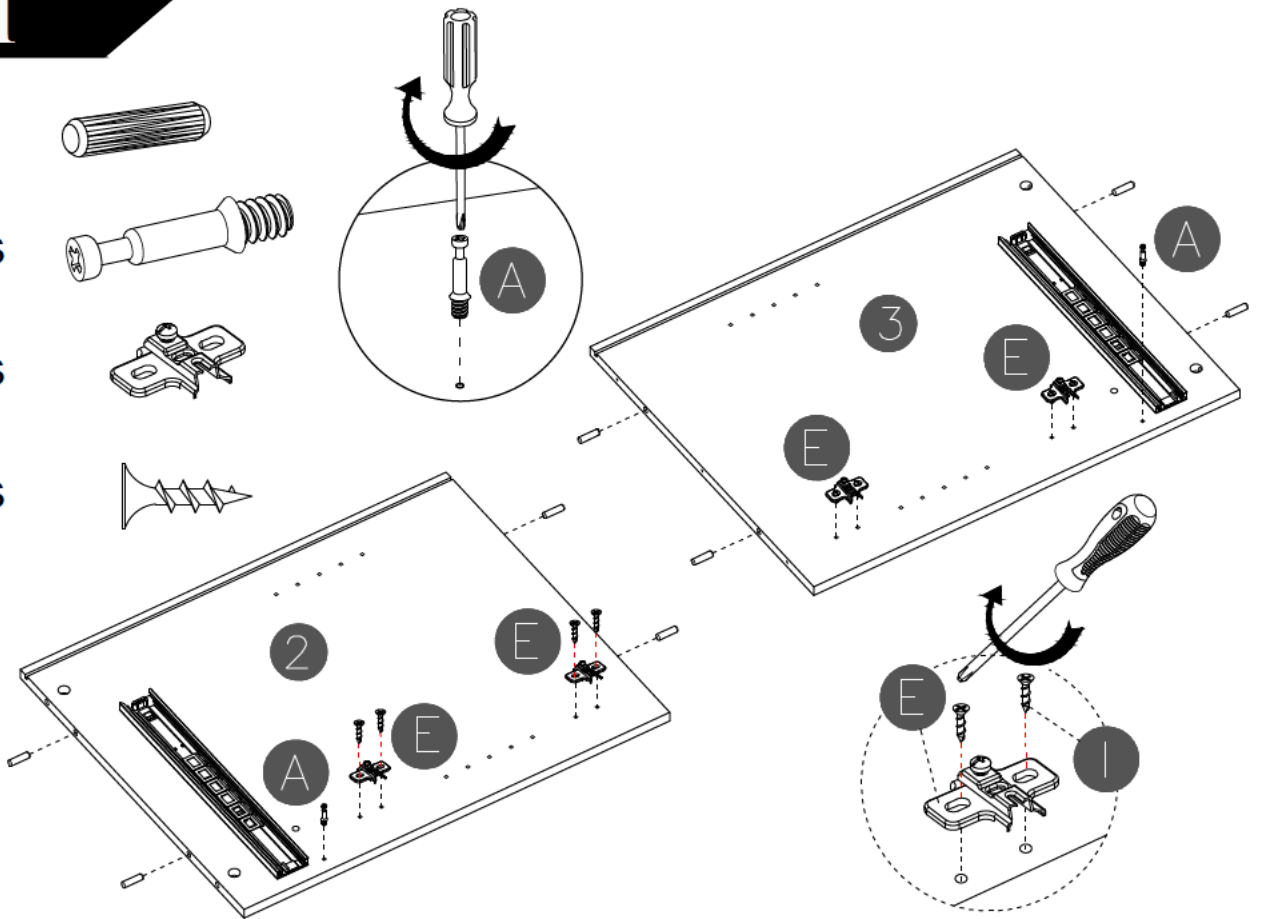
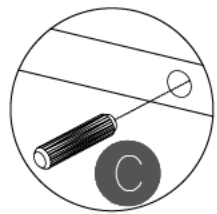
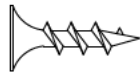
A x2pcs



E x4pcs



I x8pcs



STEP 2

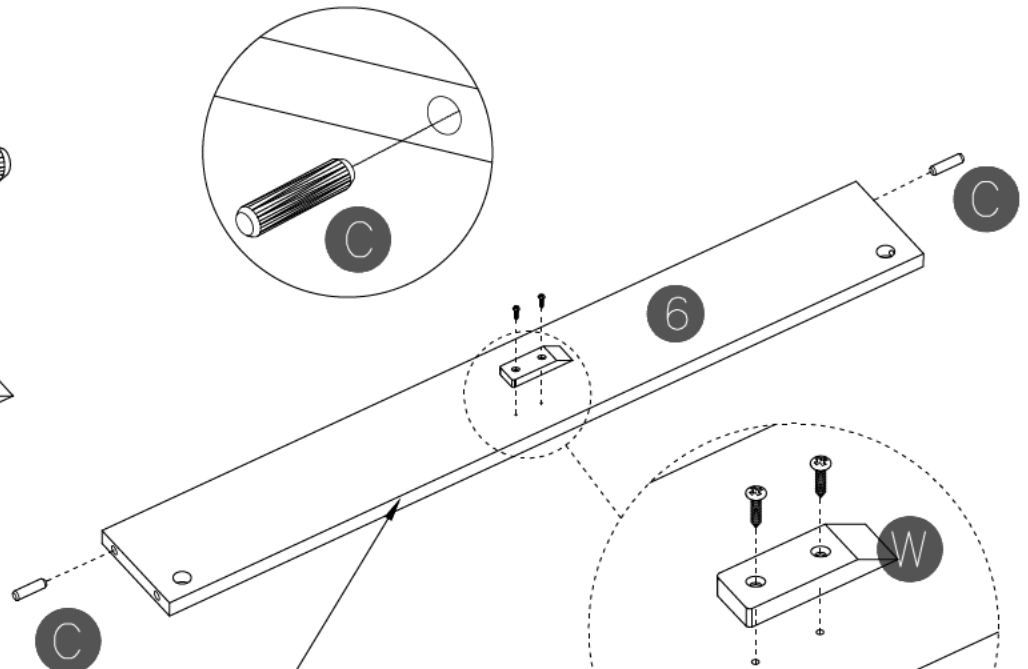
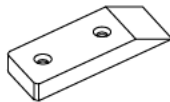
C x2pcs



M x2pcs



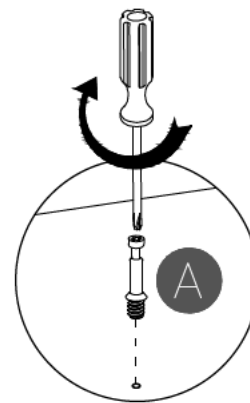
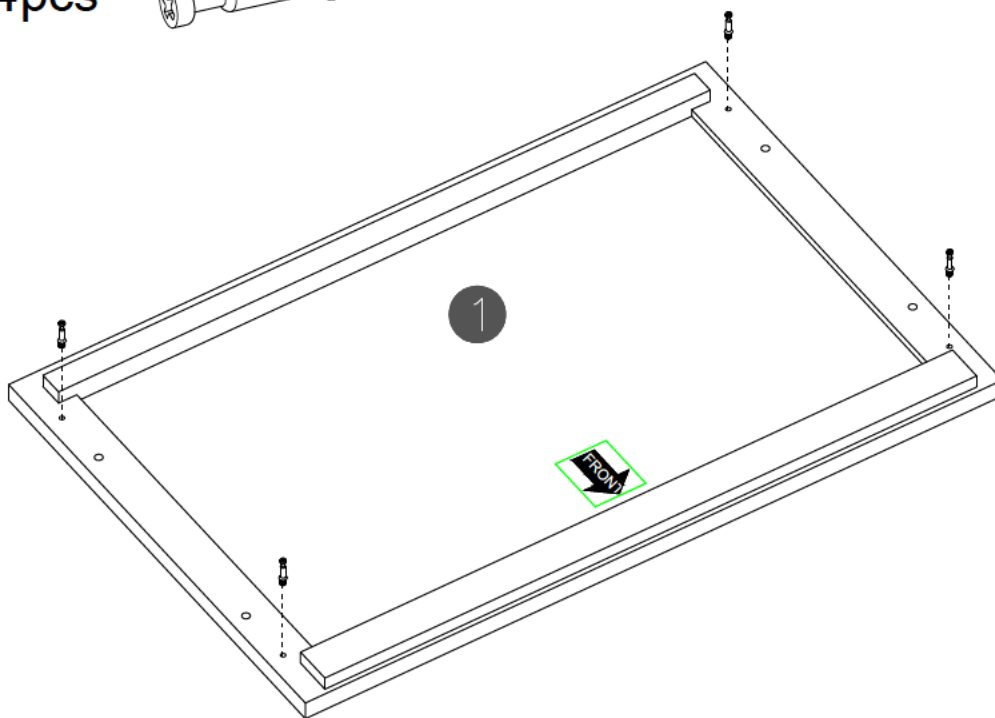
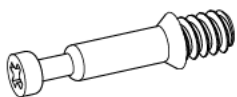
W x1pcs



Finished edge
Borde terminado
Cote fini

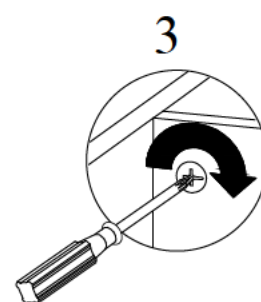
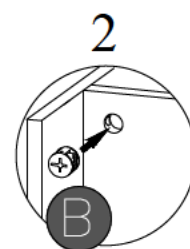
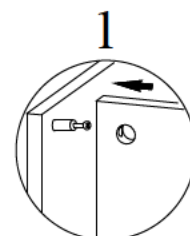
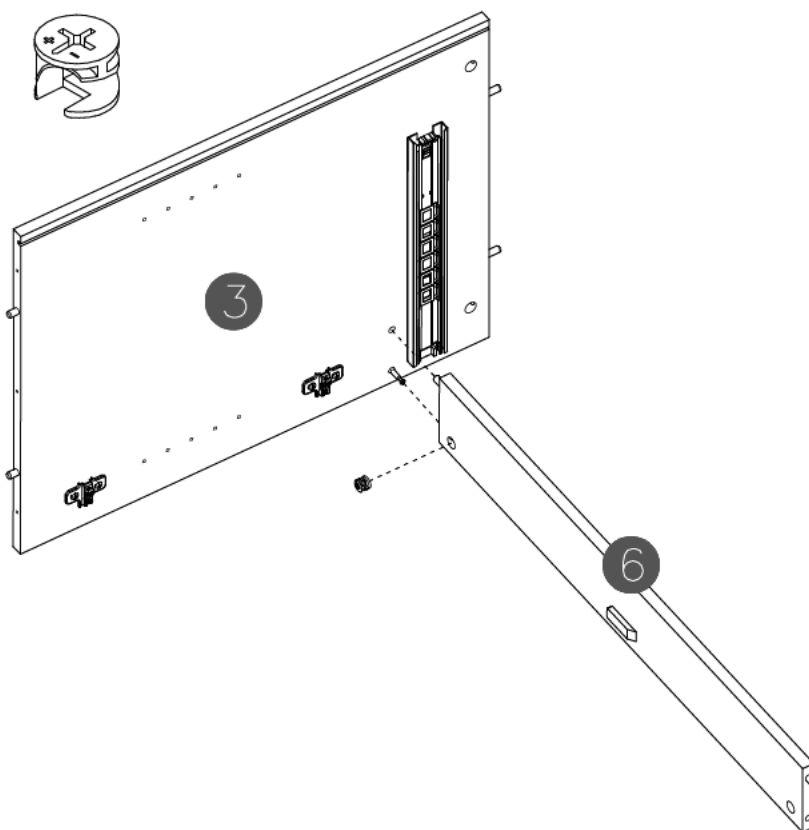
STEP 3

A x4pcs



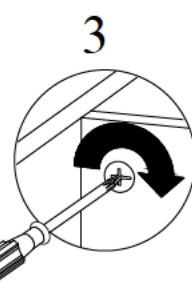
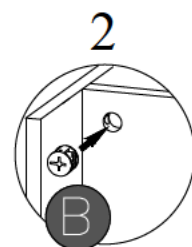
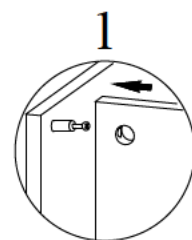
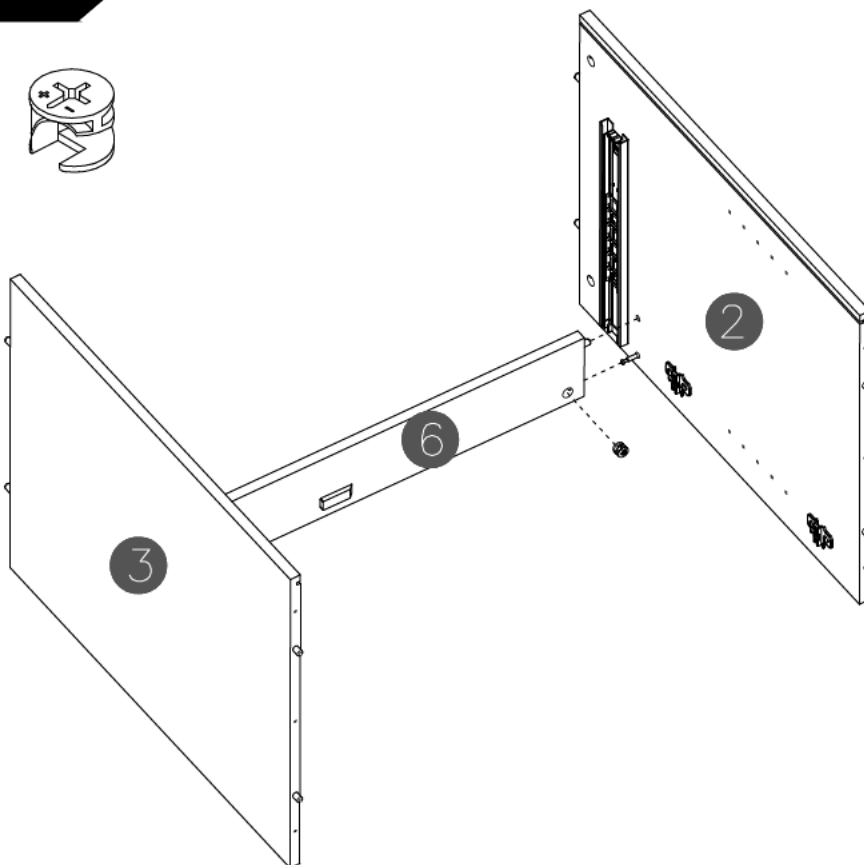
STEP 4

B x1pcs



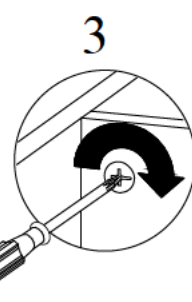
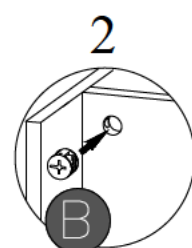
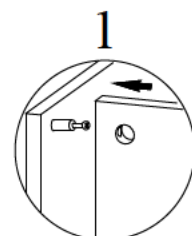
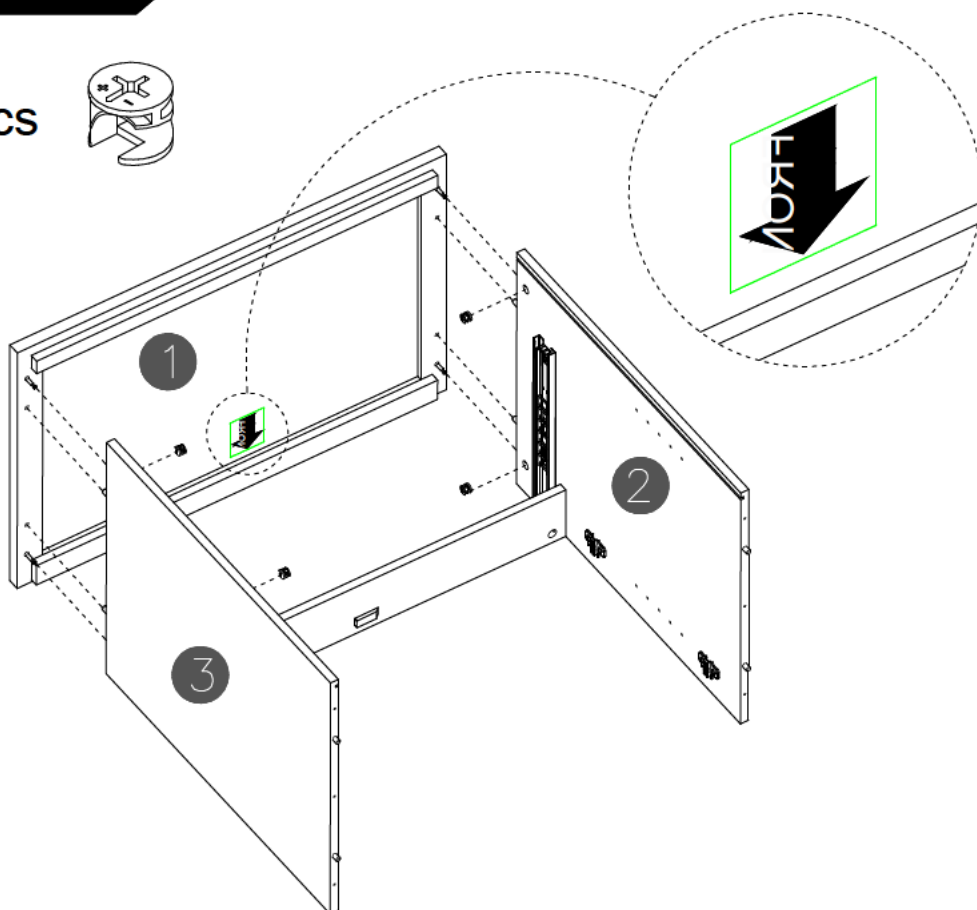
STEP 5

B x1pc



STEP 6

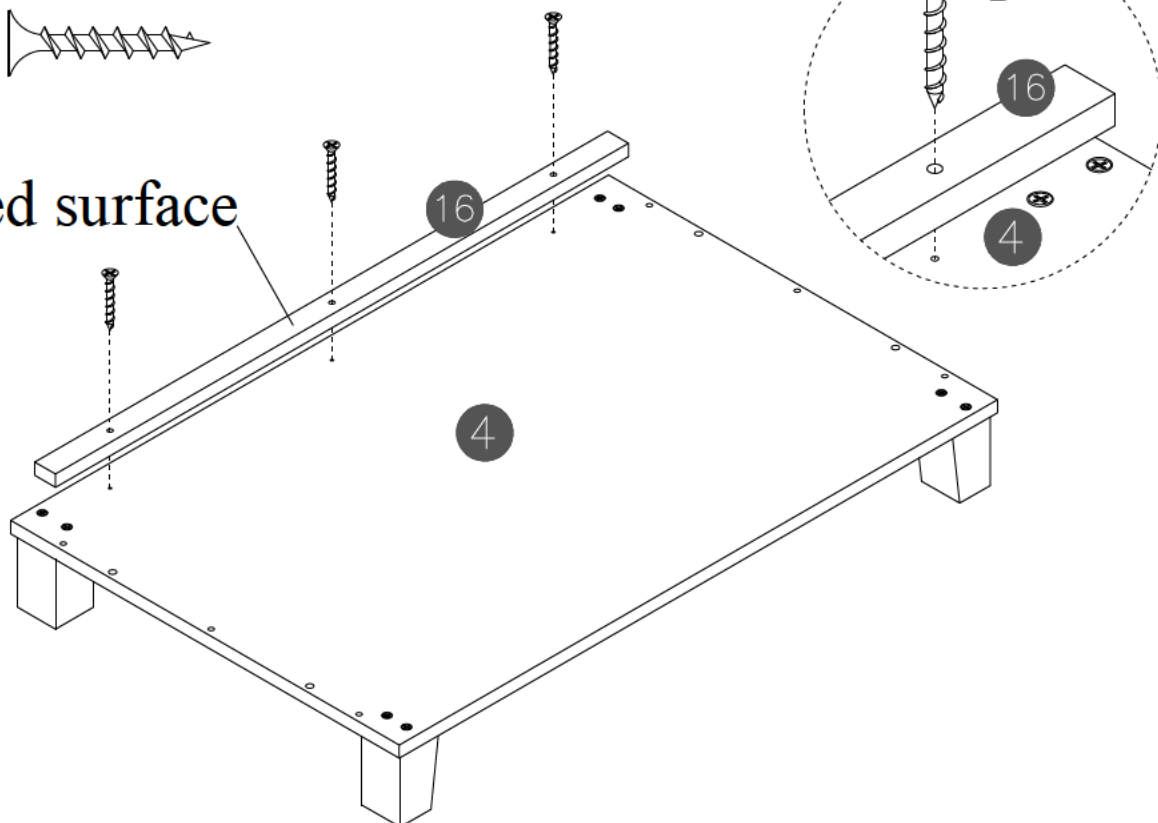
B x4pcs



STEP 9

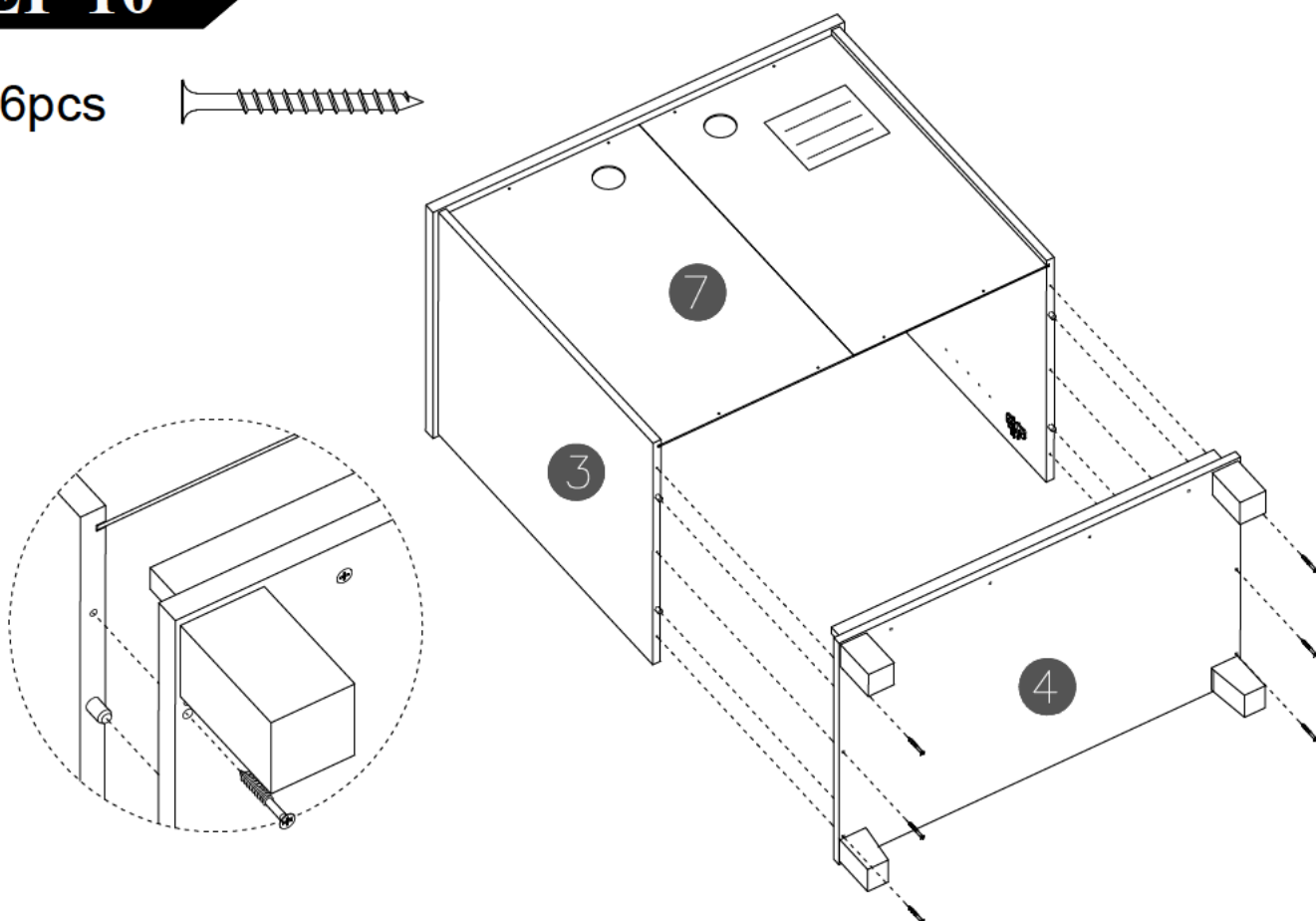
R x3pcs 

Perforated surface

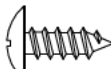


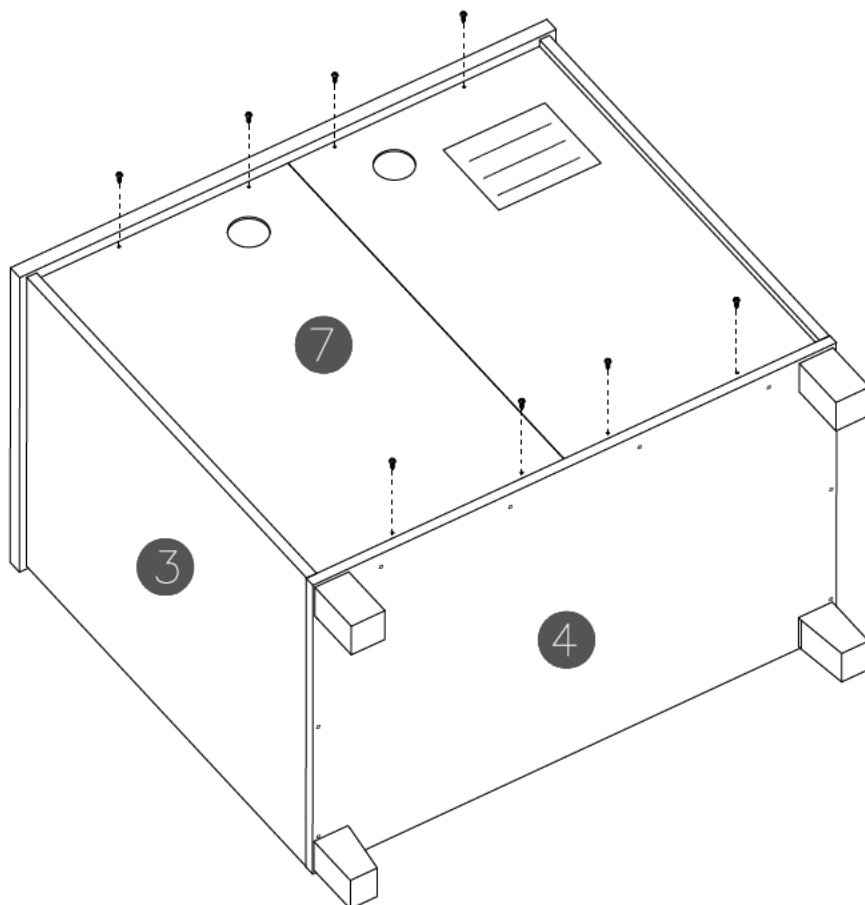
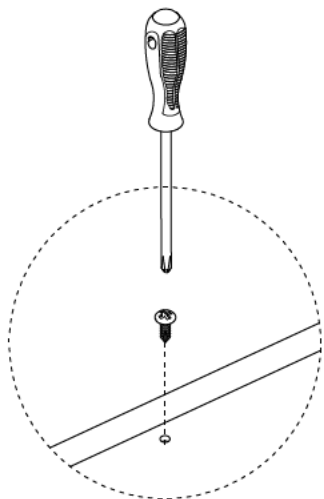
STEP 10

K x6pcs 




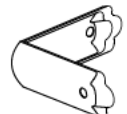
STEP 11

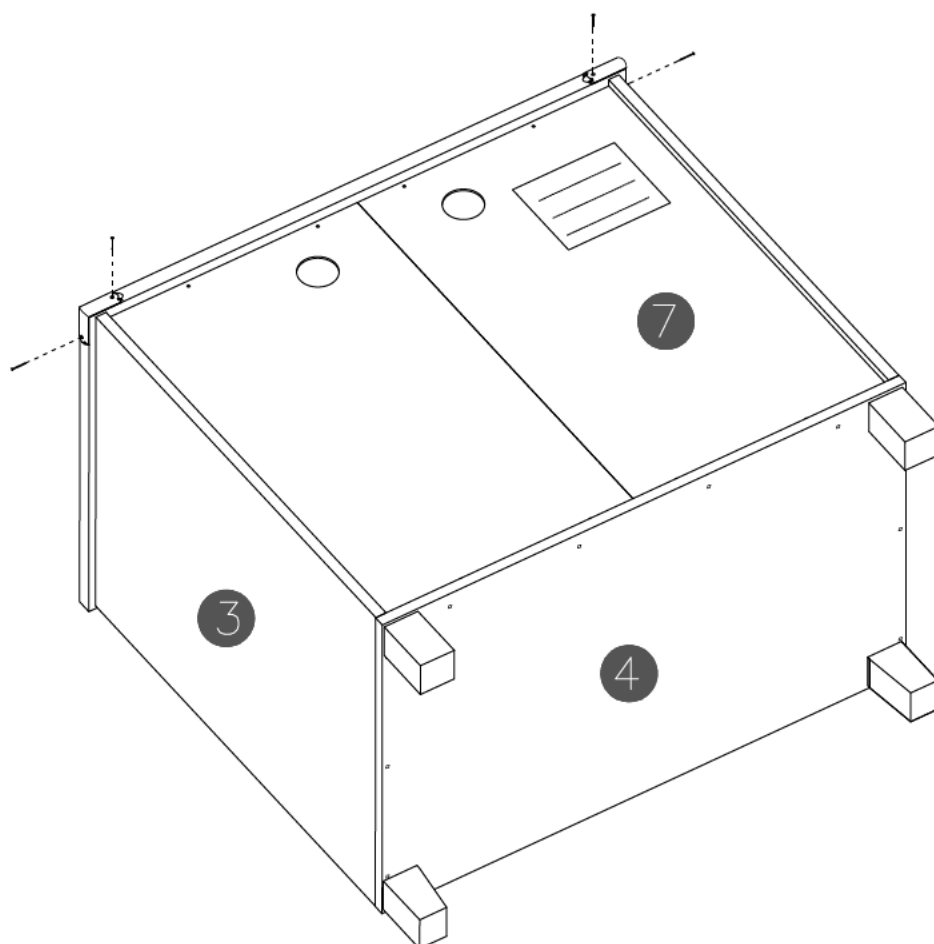
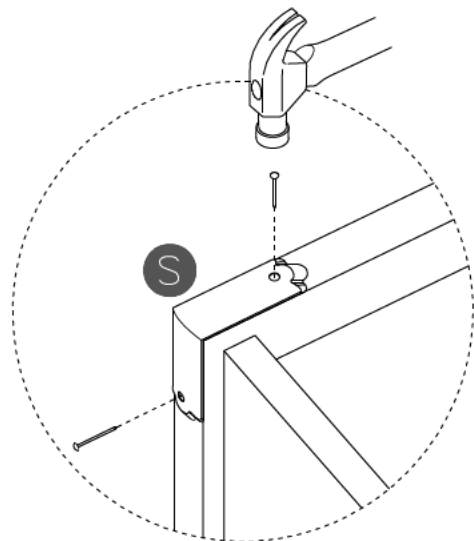
N x8pcs 



STEP 12

O x4pcs 
5/6" nail

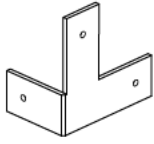
S x2pcs 



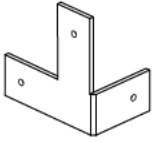
STEP 13

Peel off the adhesive sticker's protective paper and bond it onto the designated position before secure with nails.

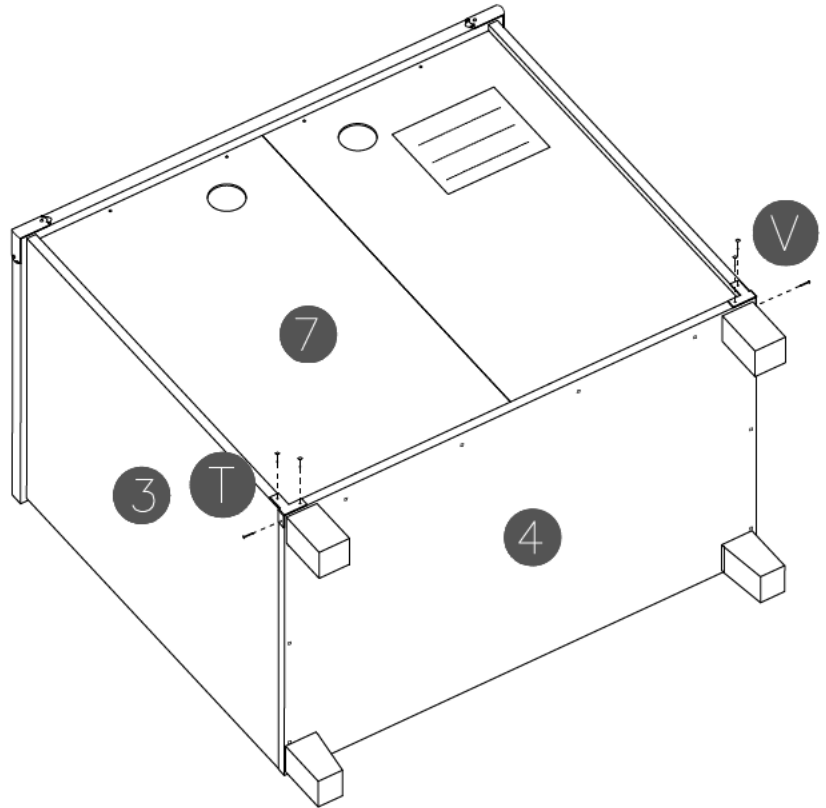
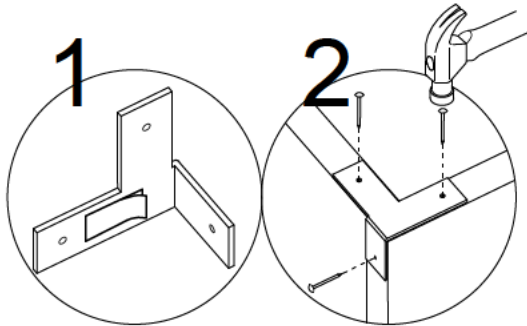
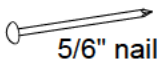
T x1pcs



V x1pcs



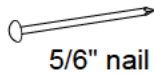
O x6pcs



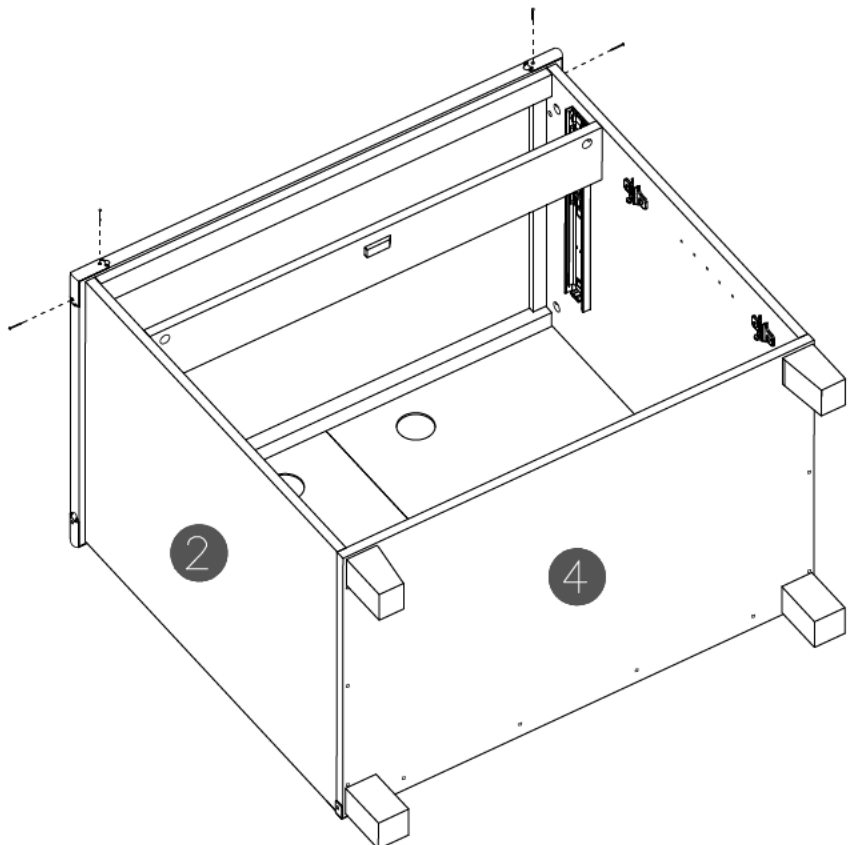
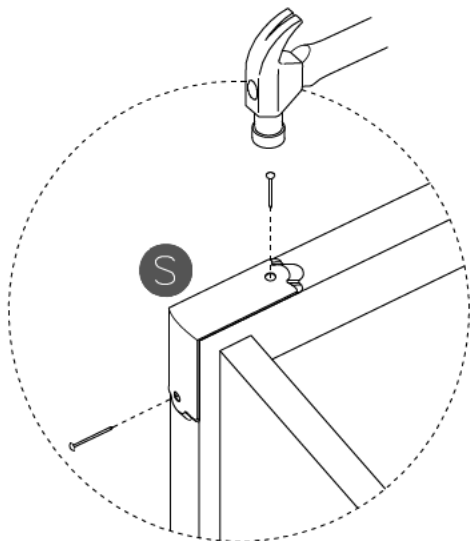
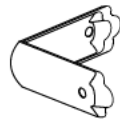
STEP 14

With assistant carefully flip the other side.

O x4pcs



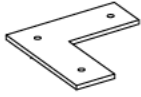
S x2pcs



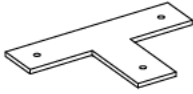
STEP 15

Peel off the adhesive sticker's protective paper and bond it onto the designated position before secure with nails.

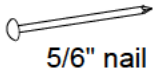
P x2pcs



Q x2pcs



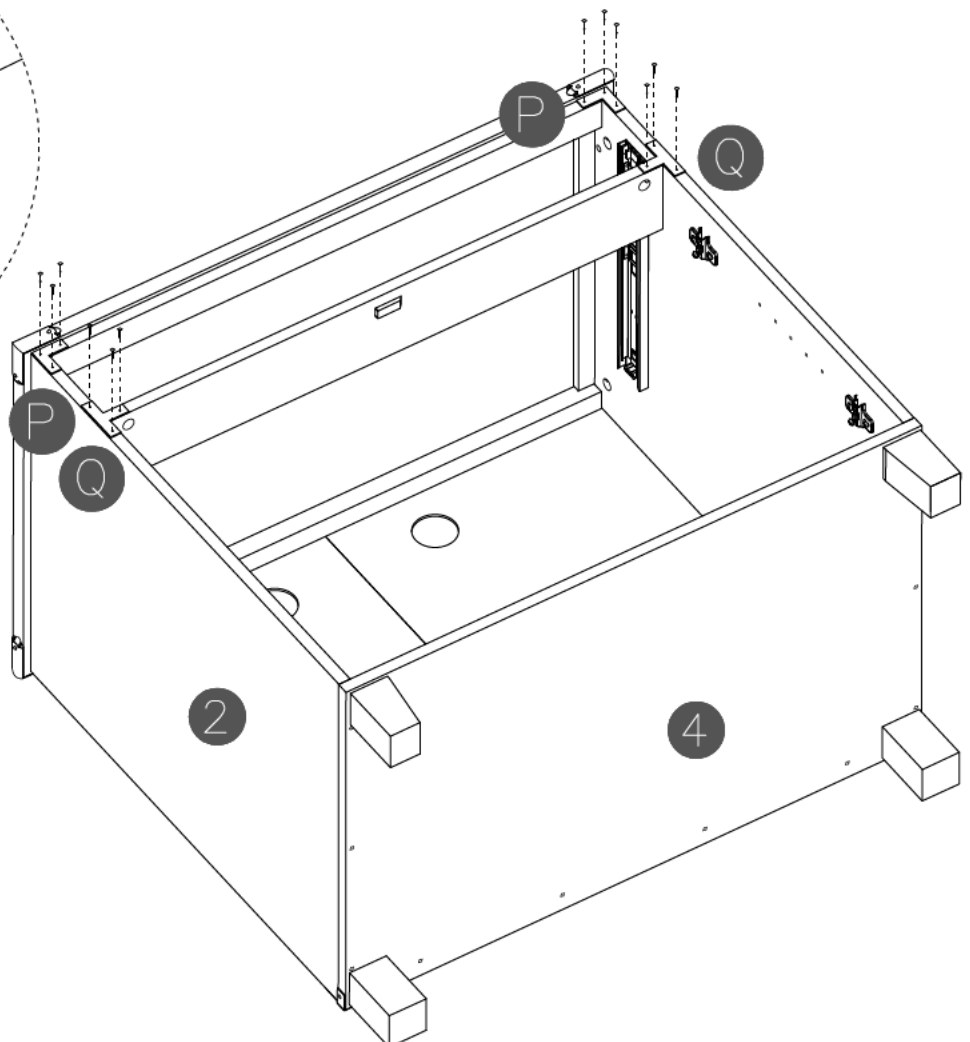
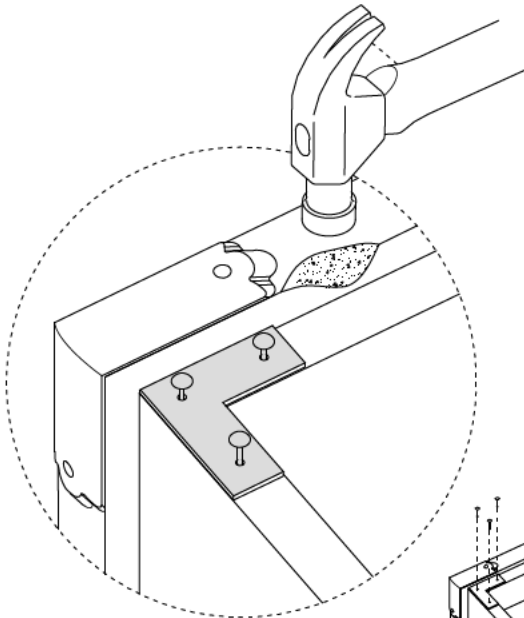
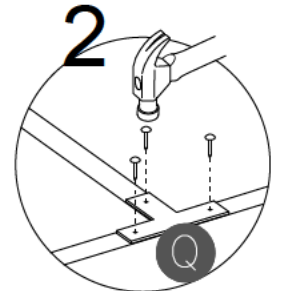
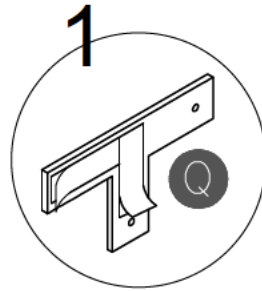
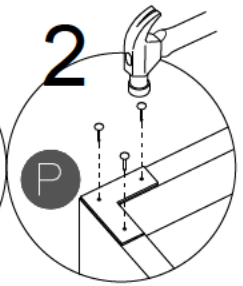
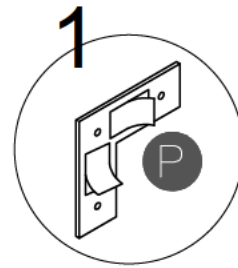
O x12pcs



5/6" nail



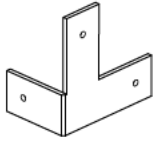
To avoid the top panel gouged by hammering, Please secure and hammering nails with careful.



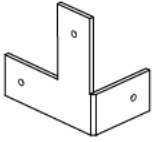
STEP 16

Peel off the adhesive sticker's protective paper and bond it onto the designated position before secure with nails.

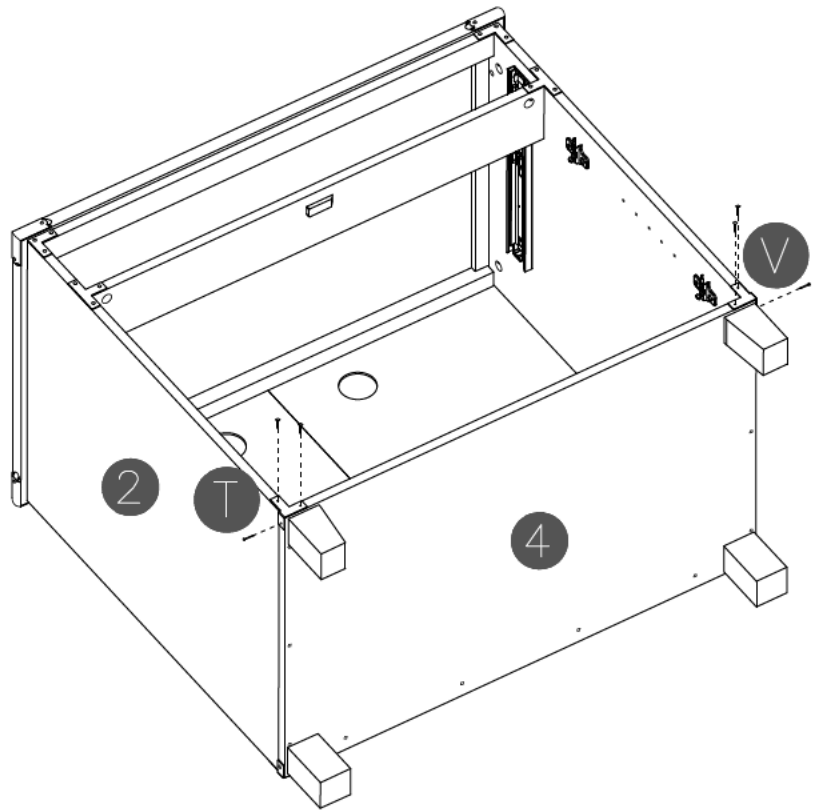
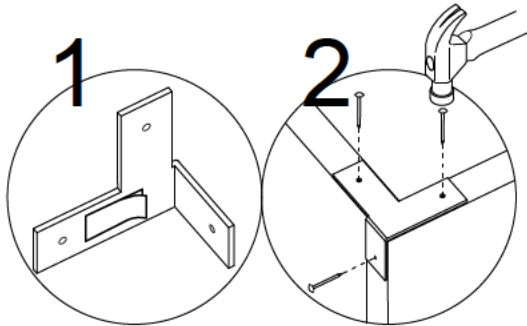
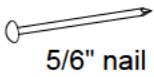
T x1pcs



V x1pcs

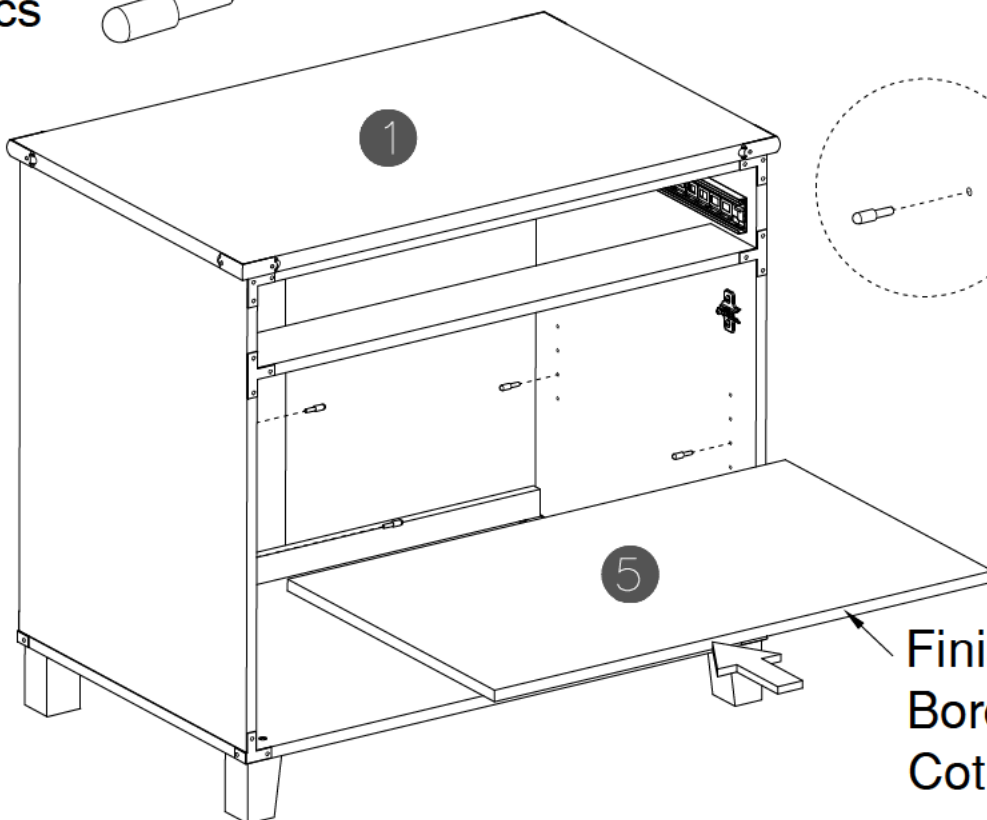
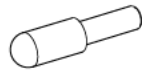


O x6pcs



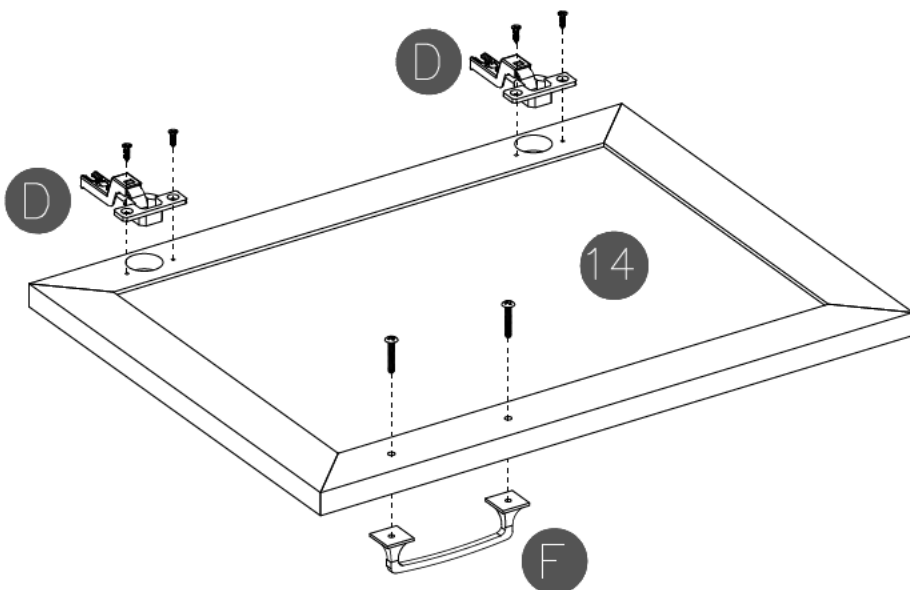
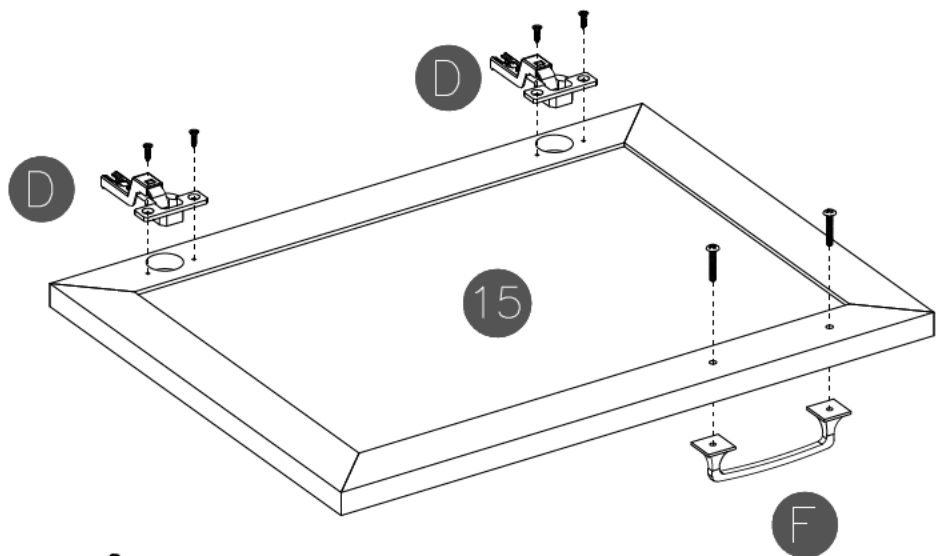
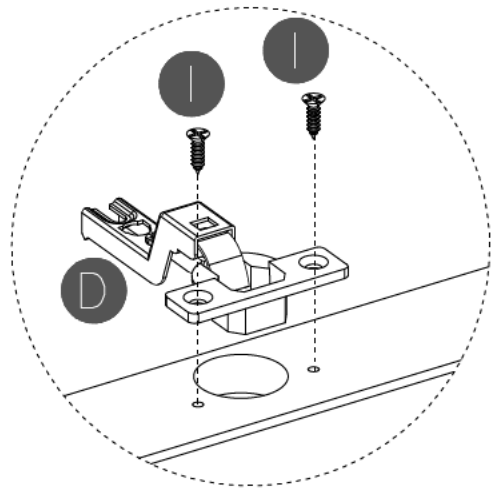
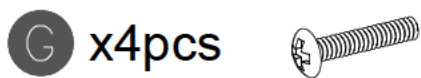
STEP 17

H x4pcs



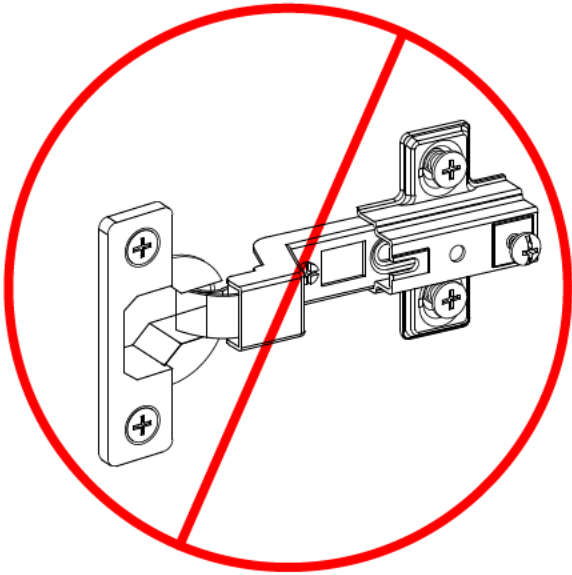
Finished edge
Borde terminado
Cote fini

STEP 18

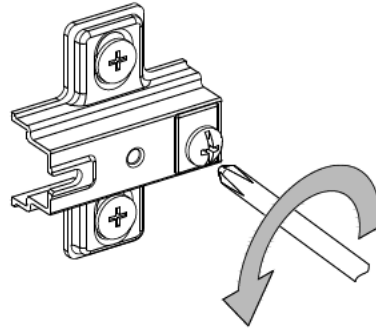


STEP 19

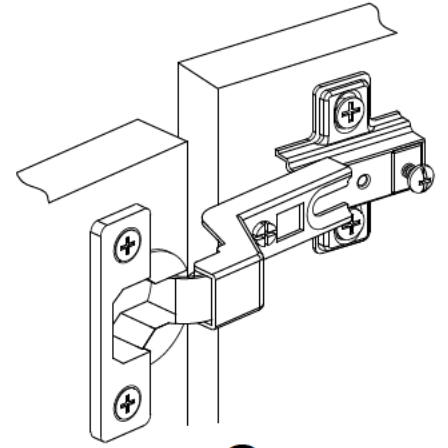
Installation



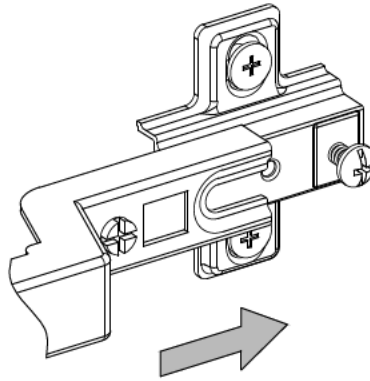
**DO NOT Insert
Hinge beneath mount**



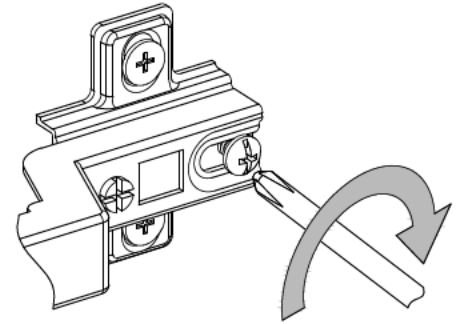
1



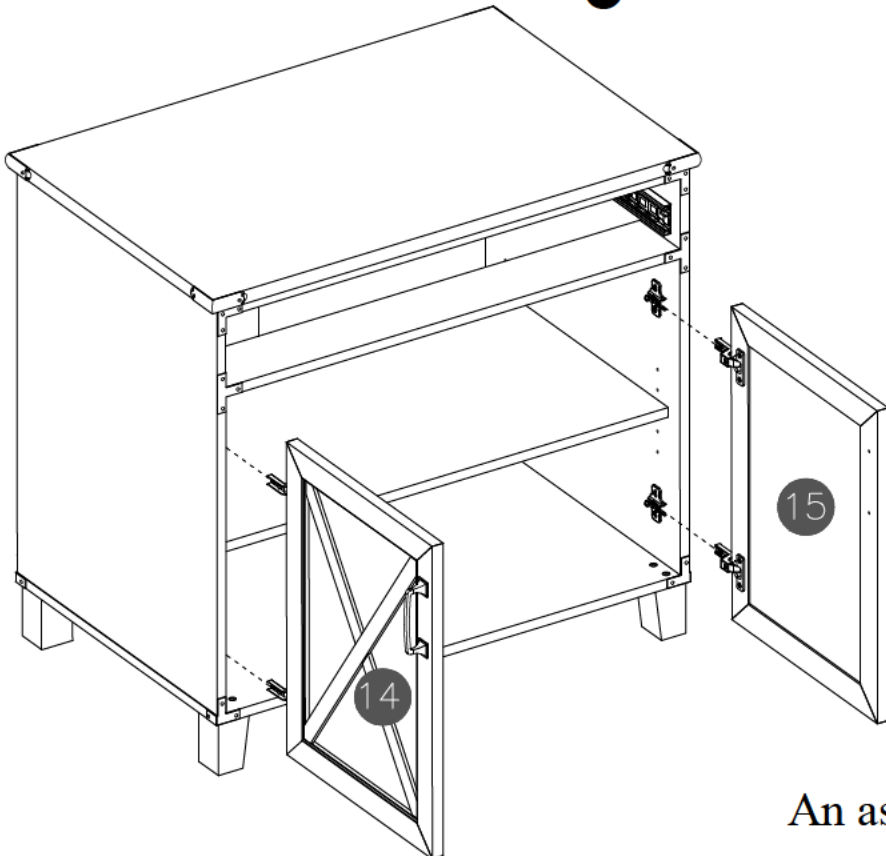
2



3



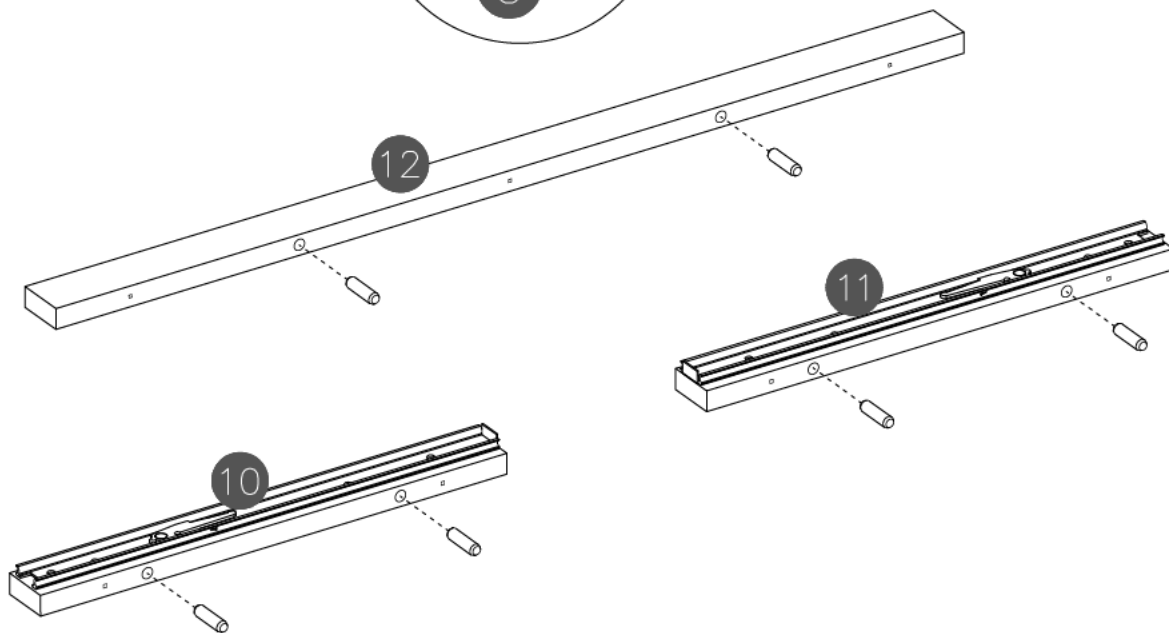
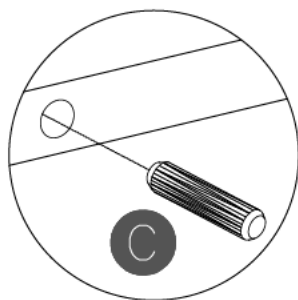
4



An assistant is required.

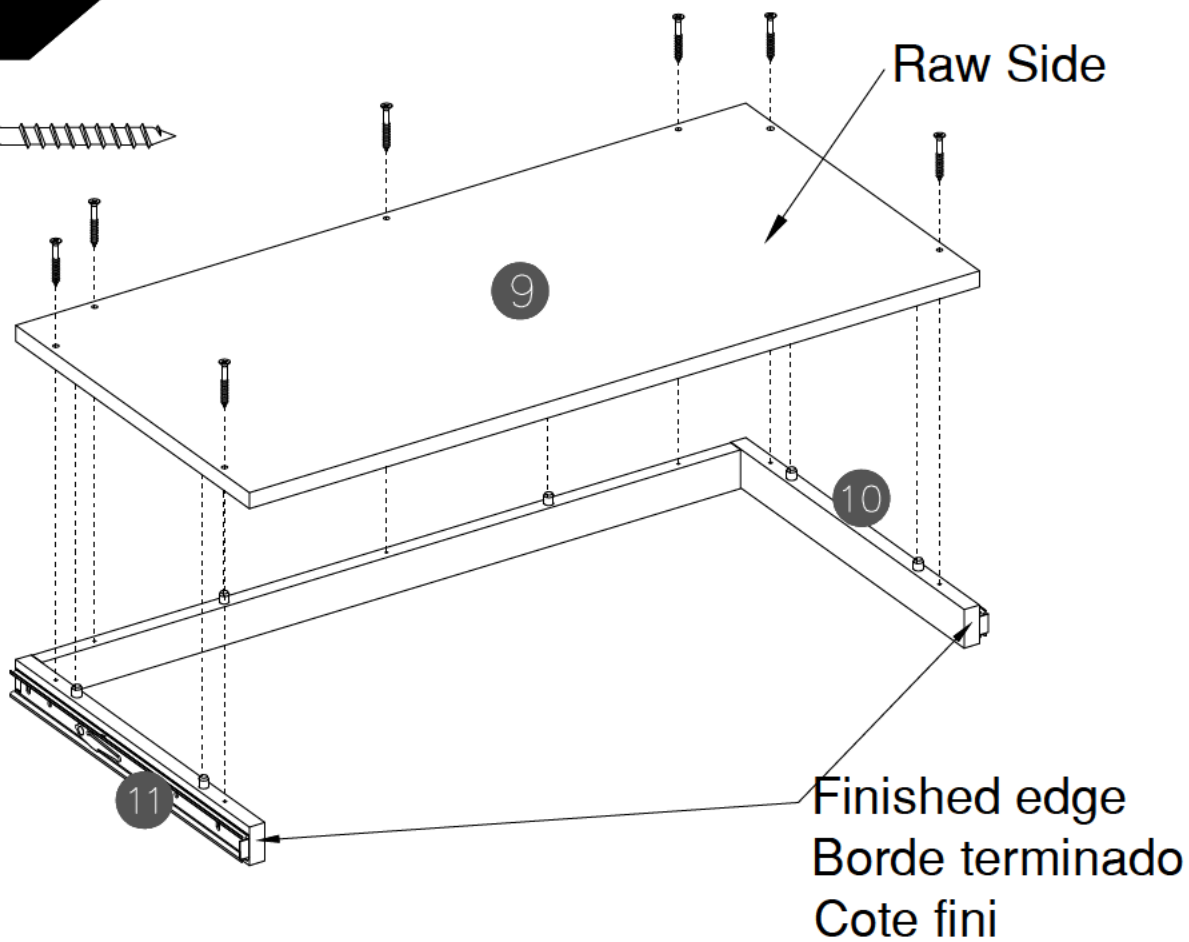
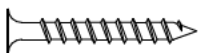
STEP 20

C x6pcs



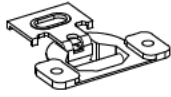
STEP 21

L x7pcs



STEP 22

X x2pcs



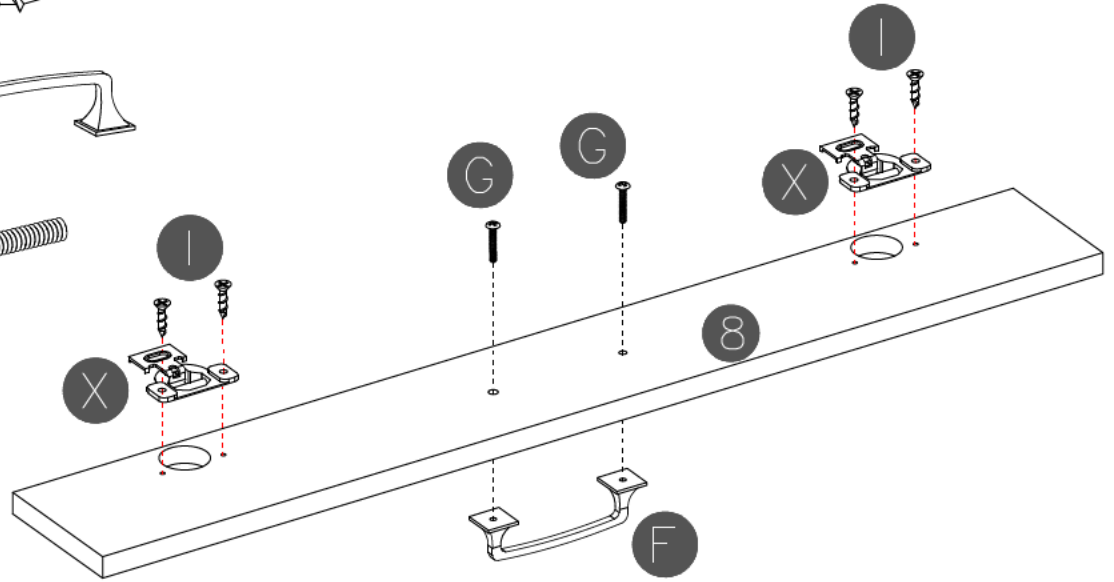
I x4pcs



F x1pcs

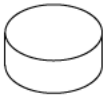


G x2pcs

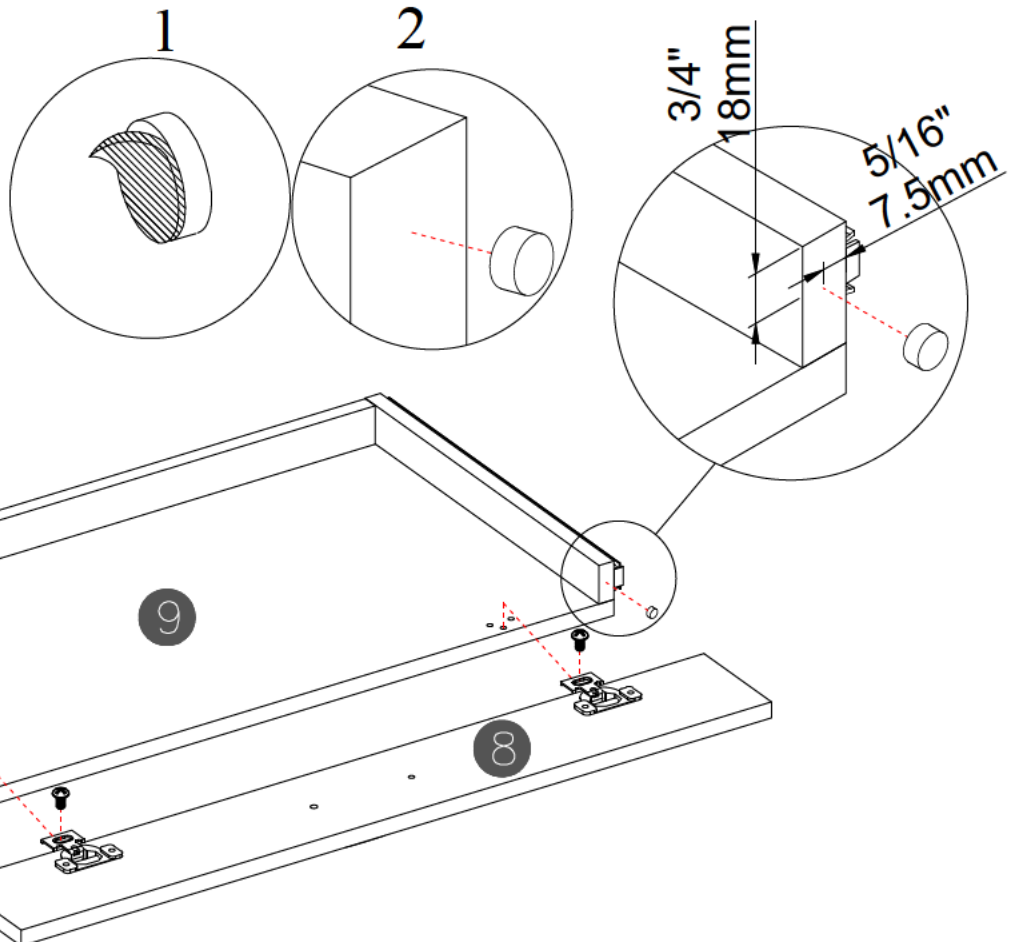
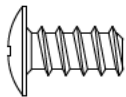


STEP 23

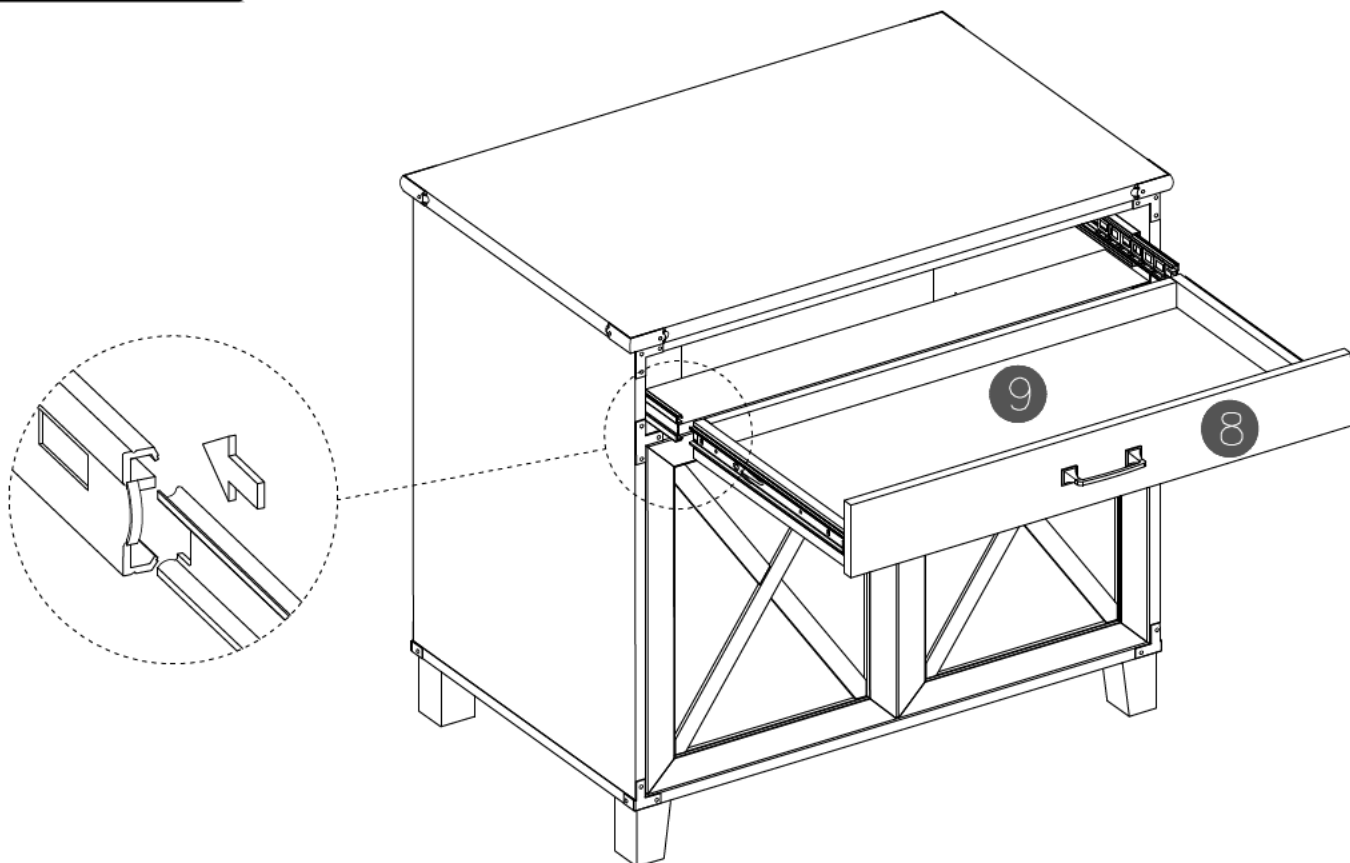
Y x2pcs



J x2pcs



STEP 24

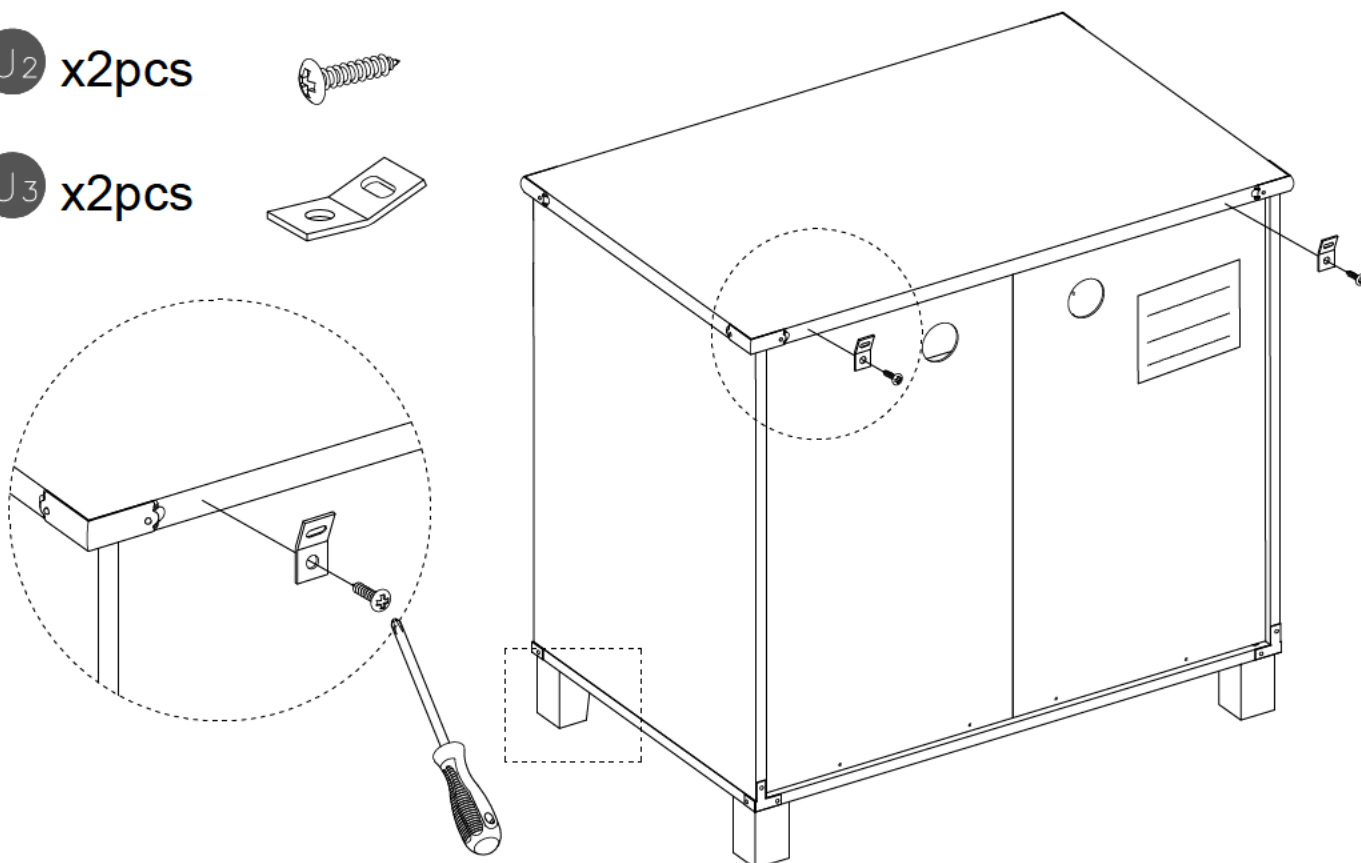
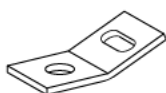


STEP 25

U₂ x2pcs

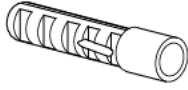


U₃ x2pcs

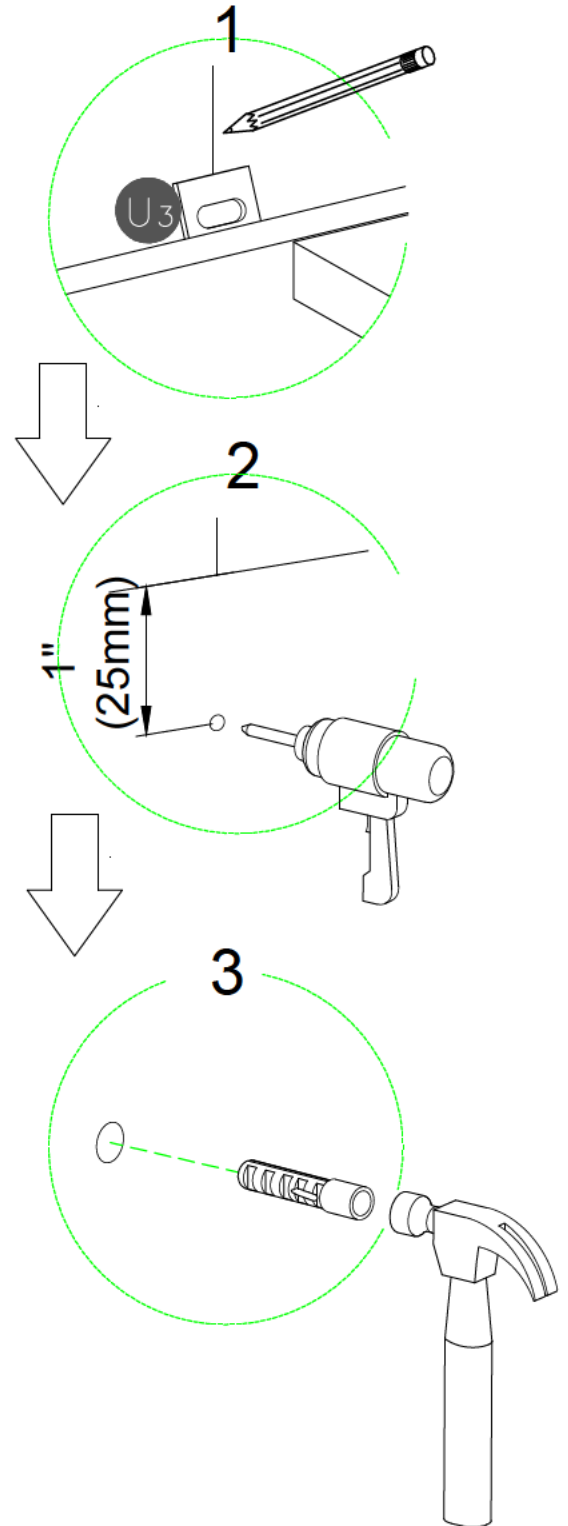
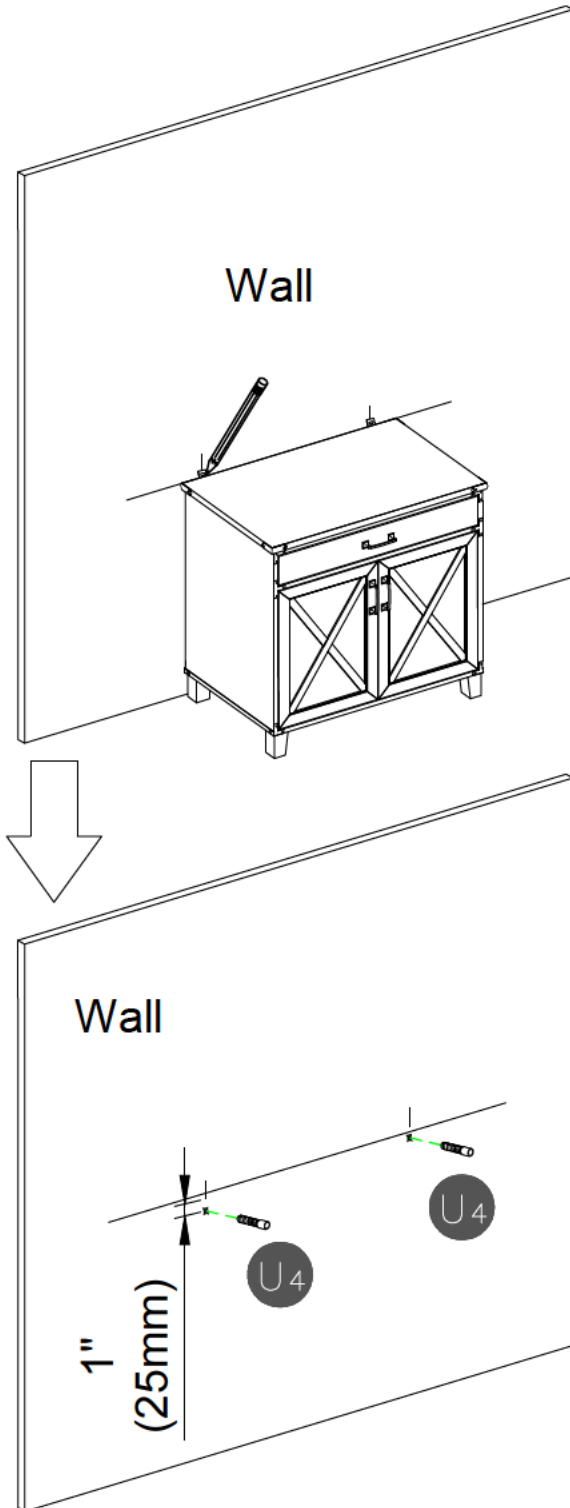


STEP 26

U₄ x2pcs



1. Place unit in desired location.
2. Mark stud location on the wall, 1" below top and side of unit.
3. Drill 5/16" hole 2" deep at marks on the wall.

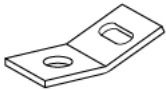


STEP 27

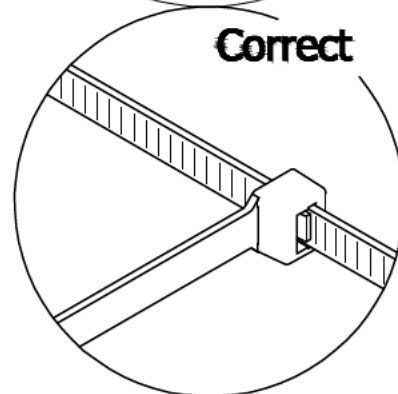
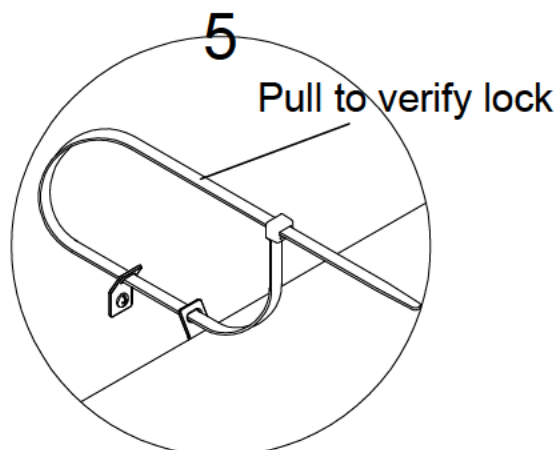
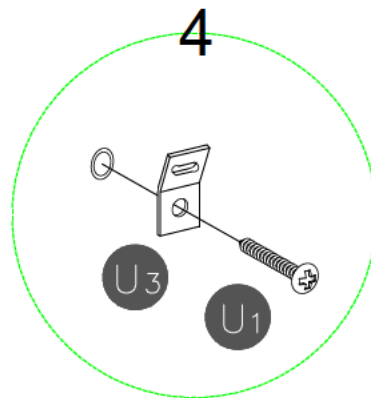
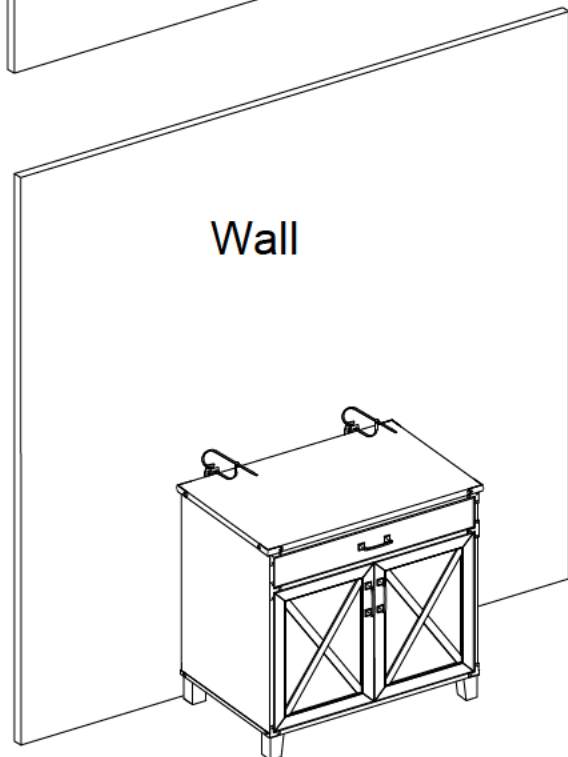
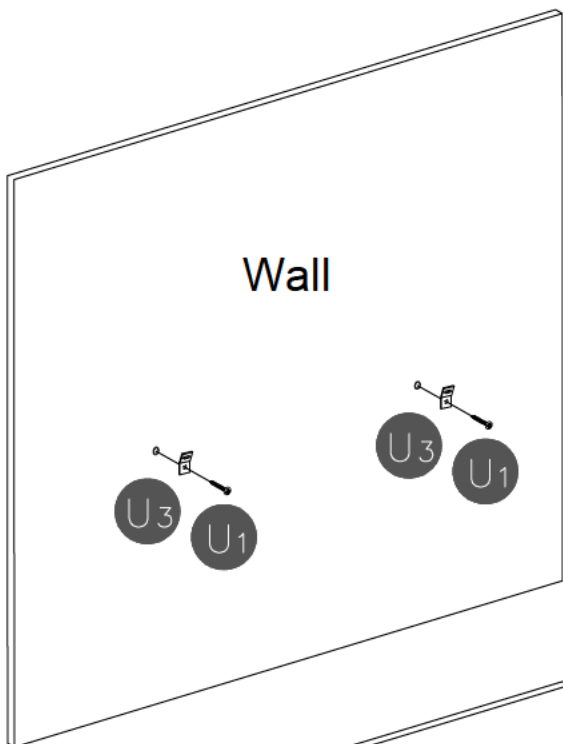
U₁ x2pcs



U₃ x2pcs



U₅ x2pcs



What is Proposition 65?

Proposition 65 is a California law that requires warning labels on products that may contain one of more than 800-plus chemicals or ingredients that the California Office of Environmental Health Hazard Assessment(OEHHA) has deemed to cause cancer or other reproductive toxicity. chemicals and elements on this list include wood dust , brass , and other everyday substances, which can be found in very common household items, such as : lamps , tableware , jewelry , crystal glasses , electric cords , beauty products , automobiles , and furniture.

Why Did I Find a Proposition 65 Warning on My Home Goods Product?

We include Proposition 65 warnings on all of our products because there is always a chance that one of the 800-plus common chemicals and ingredients listed under this law could potentially be on our furniture or packing materials. We risk large fines under this law , if we don't include this warning.

Should I worry?

We realize you may be worried finding this warning on our products , but we want to reassure you that the hazardous exposure limits for any of these chemicals have never been found on furniture products that we've shipped to our customers. Additionally, this warning label is very common and can be found on almost every piece of furniture sold in the state of California.

Just How Common Are Proposition 65 Warnings?

Proposition 65 warnings have become so common in California that it is hard to take a trip to local bank, grocery store , or restaurant without finding at least one warning. In fact, even the Disney Land Resort has a Proposition 65 warning:

