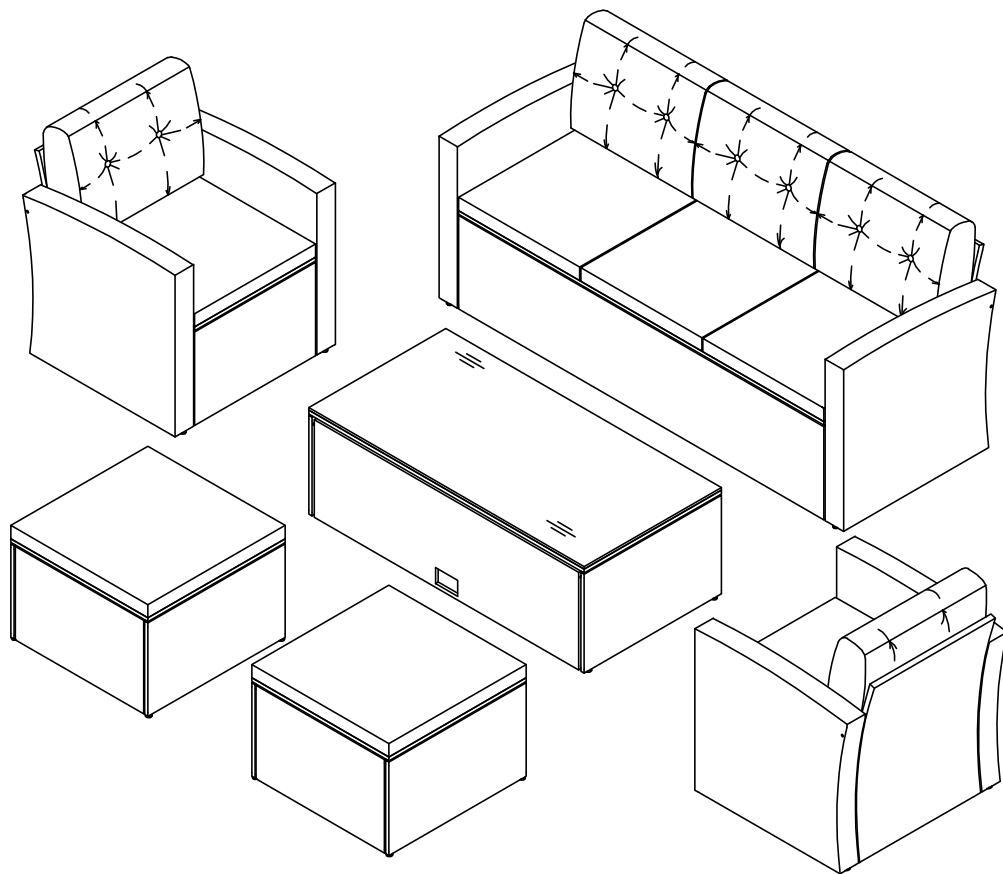
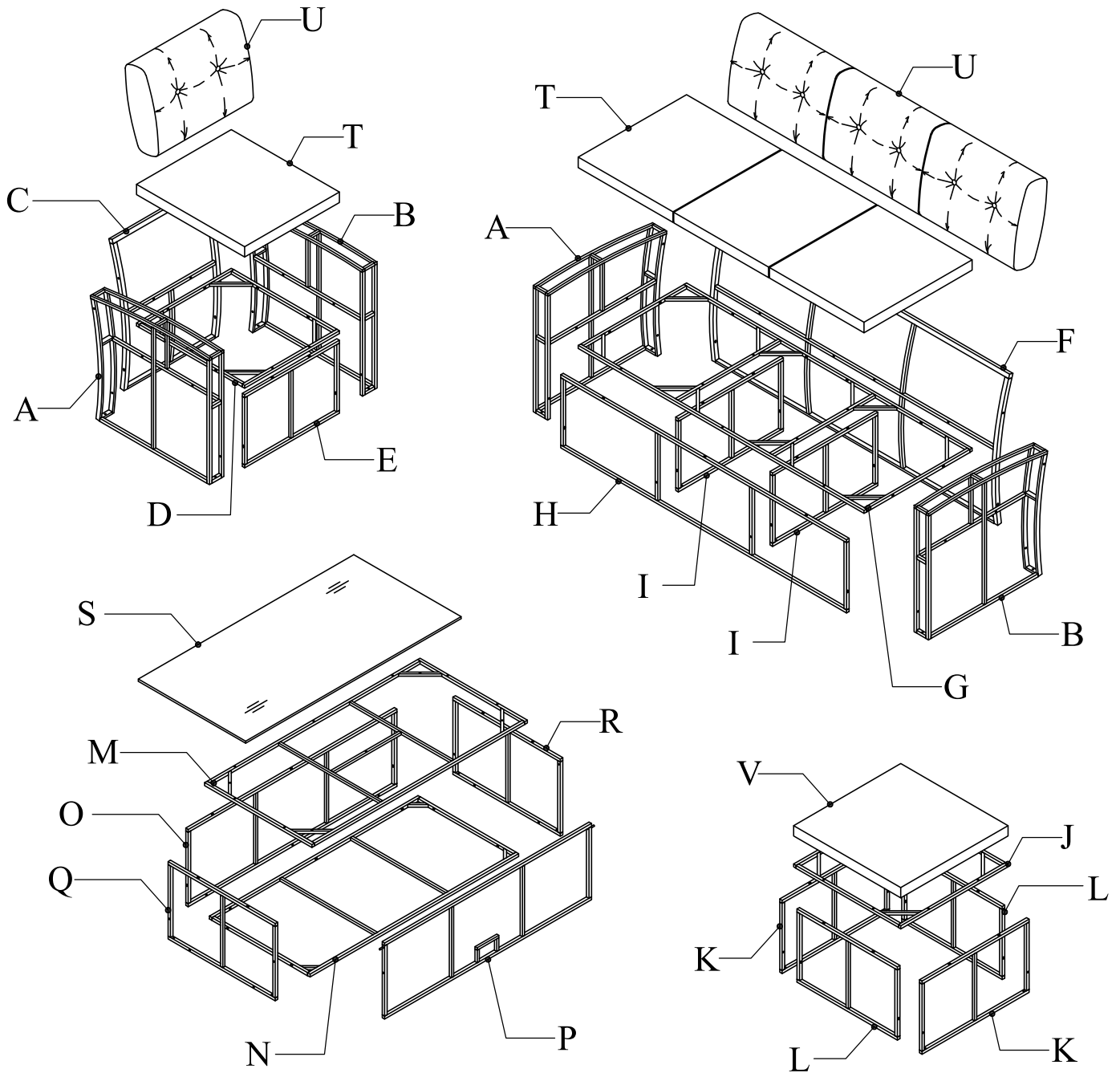


ASSEMBLY INSTRUCTIONS

WICKER SOFA SET



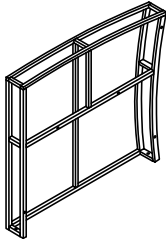
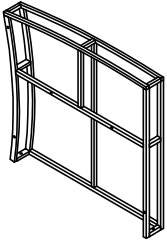
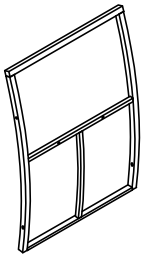
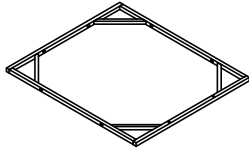
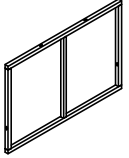
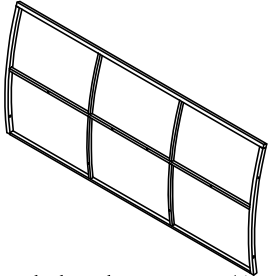
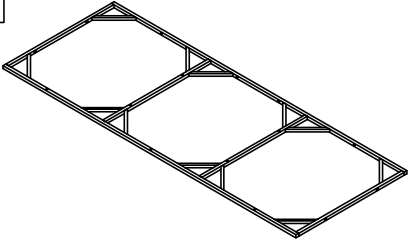
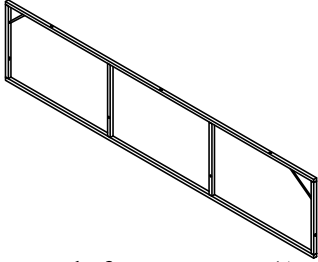
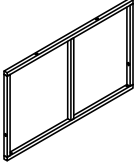
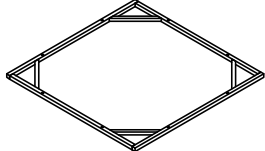
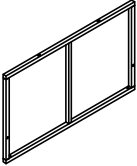
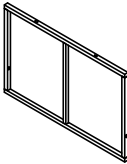
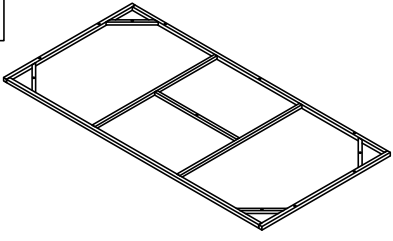
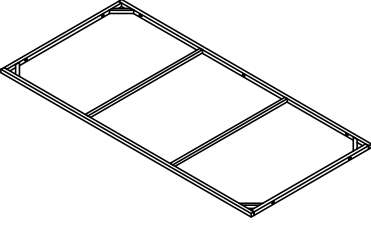
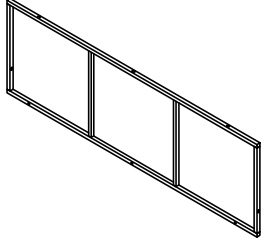
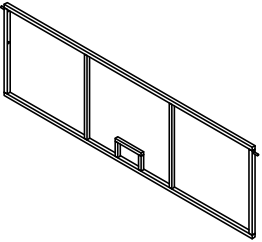
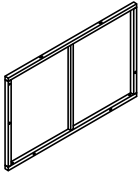
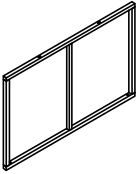
NOTE: 50% TIGHTEN BEFORE FIXING ALL BOLTS



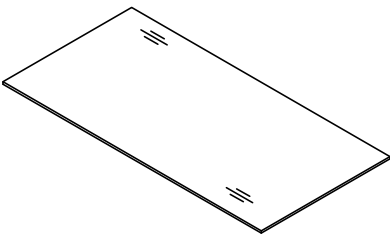
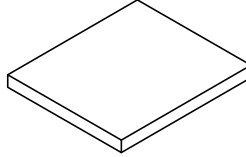
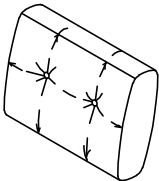
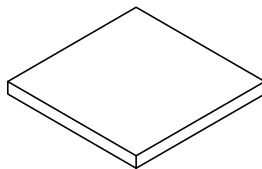
Notice:

1. 50% Tighten before fixing all screws, Allen wrench is recommended instead of an electric drill.
2. Place the item on a flat ground to adjust and make sure it remains stable
3. Tighten up all screws with tools gradually.
4. If the screws are not aligned with holes during assembly, please loosen all the other screws to 50% and continue the assembly process.
5. If the item is not stable, please loosen all the screws, adjust it on a flat ground and tighten up all screws again.
6. Note : If one or some screws are fully tightened during assembly, chances are the others will not be aligned with holes. In addition, all the holes are designed to be relatively larger to provide more space for the adjustment of the screws.

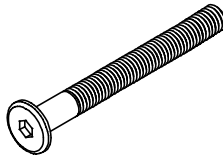
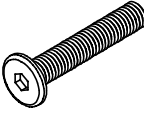
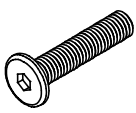
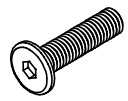
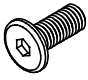

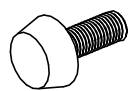
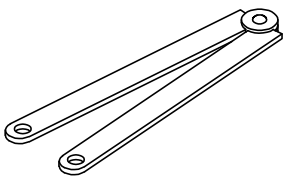
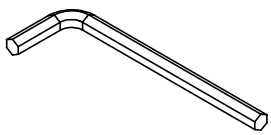
Part List

<p>A</p>  <p>Right Frame (3pcs)</p>	<p>B</p>  <p>Left Frame (3pcs)</p>	<p>C</p>  <p>Back Frame (2pcs)</p>
<p>D</p>  <p>Seat Frame (2pcs)</p>	<p>E</p>  <p>Front Frame (2pcs)</p>	<p>F</p>  <p>Bench back Frame (1pc)</p>
<p>G</p>  <p>Bench Seat Frame (1pc)</p>	<p>H</p>  <p>Bench front Frame (1pc)</p>	<p>I</p>  <p>Hip Support Frame (2pcs)</p>
<p>J</p>  <p>Ottoman Frame (2pcs)</p>	<p>K</p>  <p>Long side Ottoman (4pcs)</p>	<p>L</p>  <p>Short side Ottoman (4pcs)</p>
<p>M</p>  <p>Table top Frame (1pc)</p>	<p>N</p>  <p>Table shelf Frame (1pc)</p>	<p>O</p>  <p>Long side Table (1pc)</p>
<p>P</p>  <p>Panel Frame (1pc)</p>	<p>Q</p>  <p>Left short side Table (1pc)</p>	<p>R</p>  <p>Right short side Table (1pc)</p>

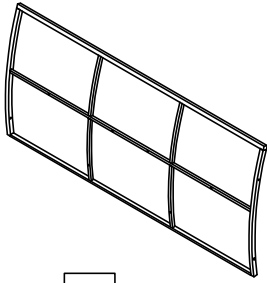
Part List

<p>S</p>  <p>Table Glass (1pc)</p>	<p>T</p>  <p>Seat Cushion (5pcs)</p>	<p>U</p>  <p>Back Pillow (5pcs)</p>
<p>V</p>  <p>Ottoman Cushion (2pcs)</p>		

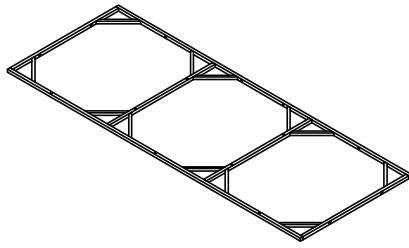
Hardware List

<p>1</p>  <p>Bolt M6 x 100 mm 6 pcs + extra 1 pc</p>	<p>2</p>  <p>Bolt M6 x 40 mm 6 pcs + extra 1 pc</p>	<p>3</p>  <p>Bolt M6 x 35 mm 43 pcs + extra 3 pcs</p>
<p>4</p>  <p>Bolt M6 x 30 mm 38 pcs + extra 3 pcs</p>	<p>5</p>  <p>Bolt M6 x 15 mm 2 pcs + extra 1 pc</p>	<p>6</p>  <p>M6x1 Washers 97 pcs + extra 3 pcs</p>
<p>7</p>  <p>Feet cap M6 x 20 mm 28 pcs + extra 2 pcs</p>	<p>8</p>  <p>(1 pc)</p>	<p>9</p>  <p>Allen key M4 (2 pcs)</p>

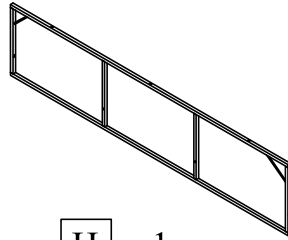
CARTON CONTENT:



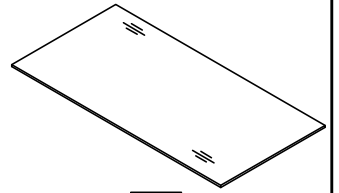
F x 1



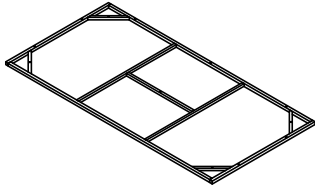
G x 1



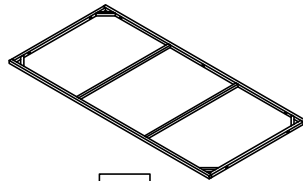
H x 1



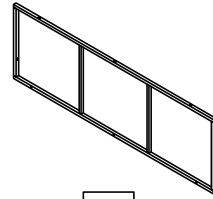
S x 1



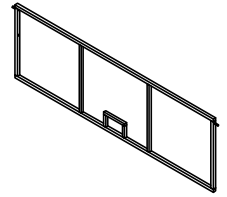
M x 1



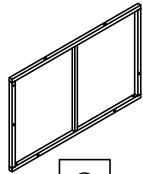
N x 1



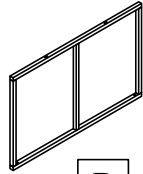
O x 1



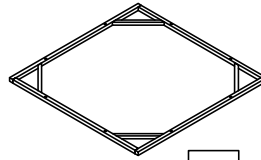
P x 1



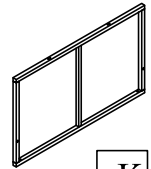
Q x 1



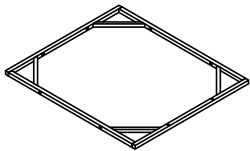
R x 1



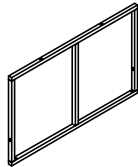
J x 2



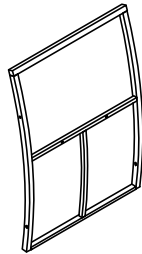
K x 4



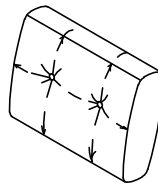
D x 2



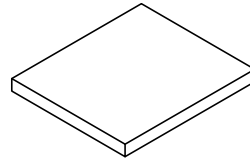
I x 2



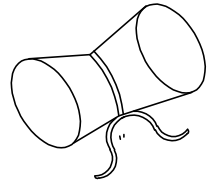
C x 2



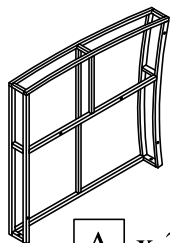
U x 4



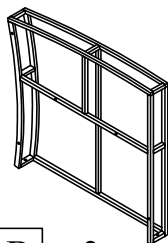
T x 3



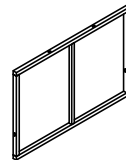
HARDWARE



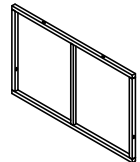
A x 3



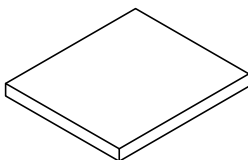
B x 3



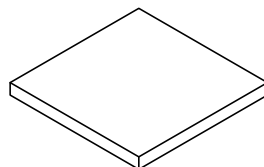
E x 2



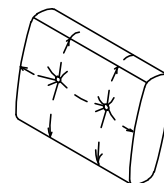
L x 4



T x 2



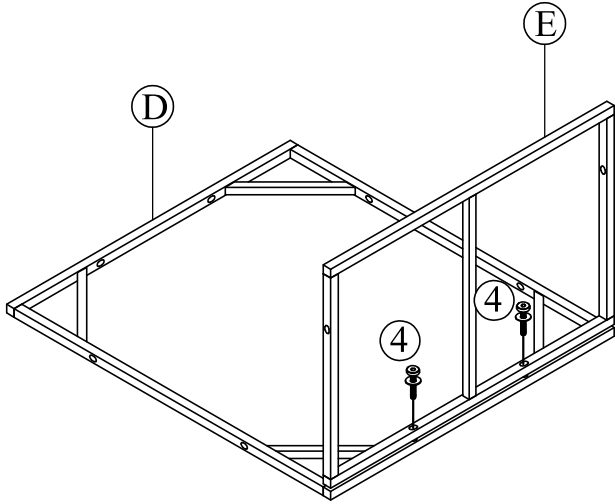
V x 2



U x 1

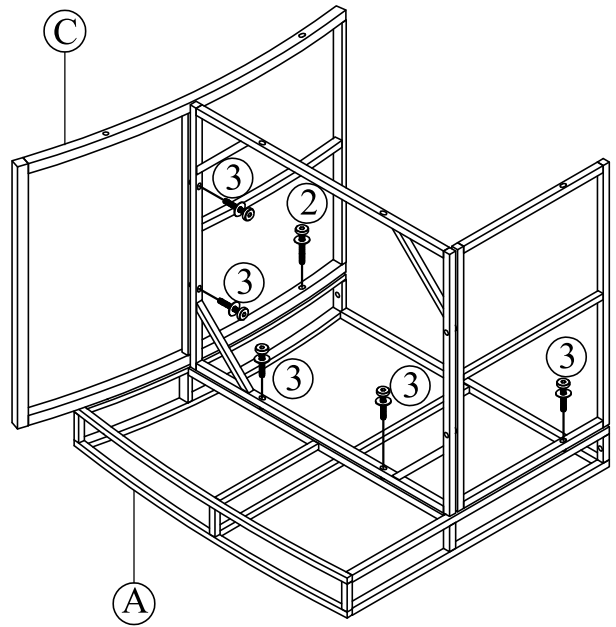
STEP 1

Connect Seat Frame (D) & Front Frame (E) with Bolt (4) & Washers (6)



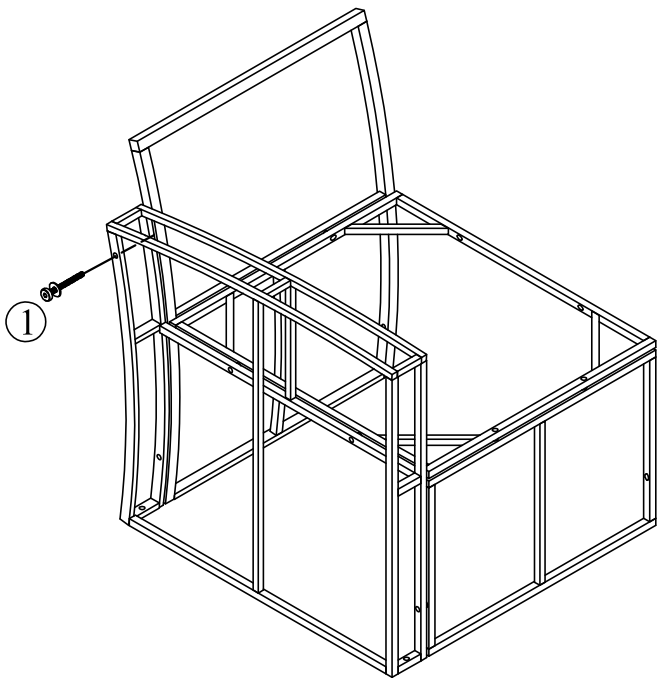
STEP 2

Connect Part from STEP 1 & Right Frame (A) & Back Frame (C) with Bolt (2), (3) & Washers (6)



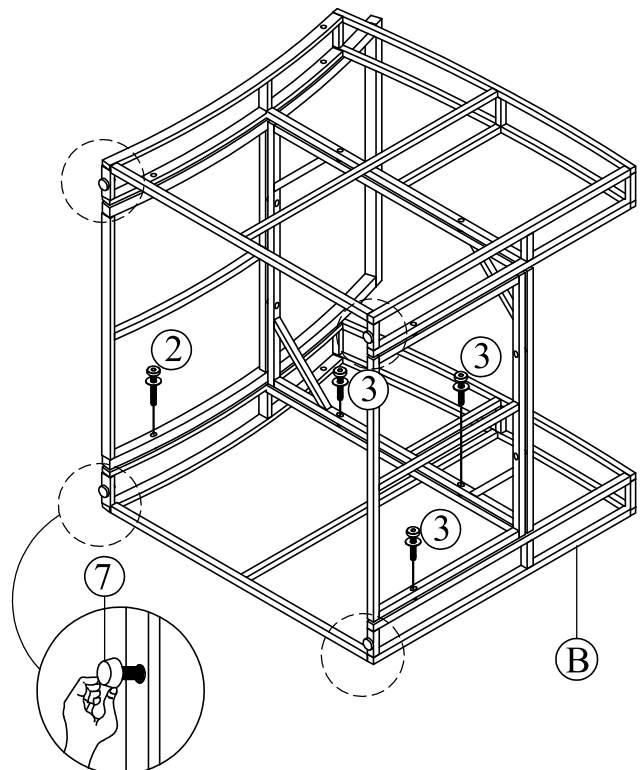
STEP 3

Connect Part from STEP 2 & Right Frame (A) with Bolt (1) & Washer (6)



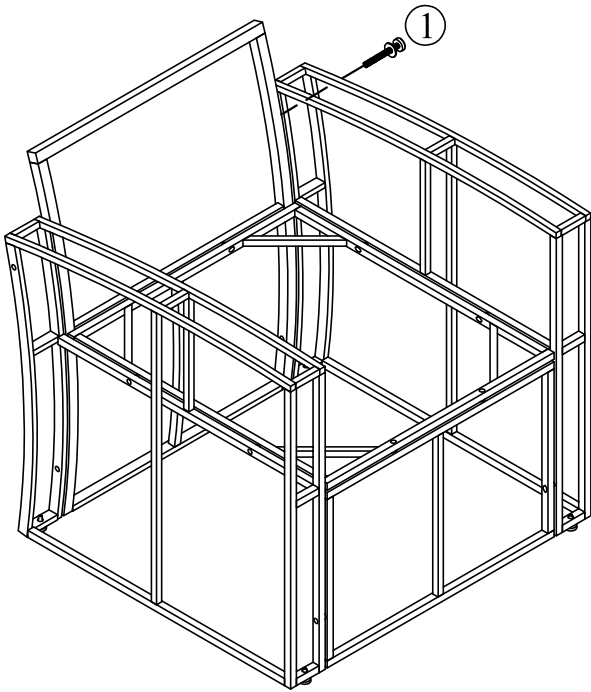
STEP 4

Connect Part from STEP 3 & Left Frame (B) with Bolt (2), (3) & Washers (6), & Feet cap (7)



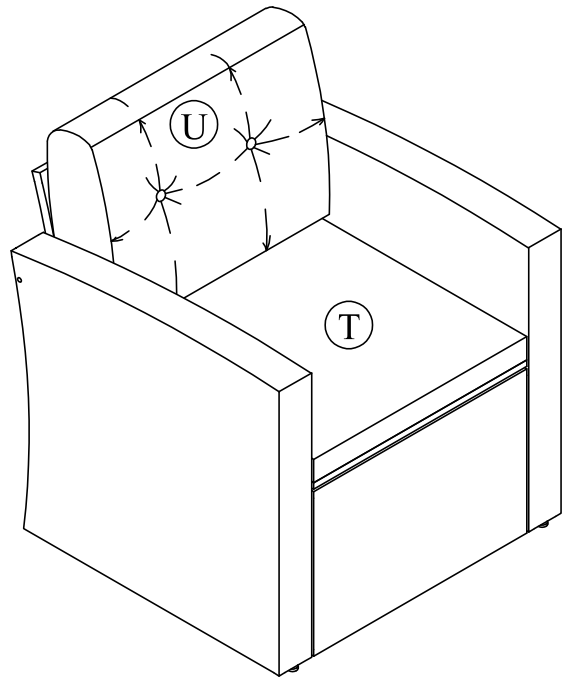
STEP 5

Connect Part from STEP 4 & Left Frame (B) with Bolt (1) & Washer (6)



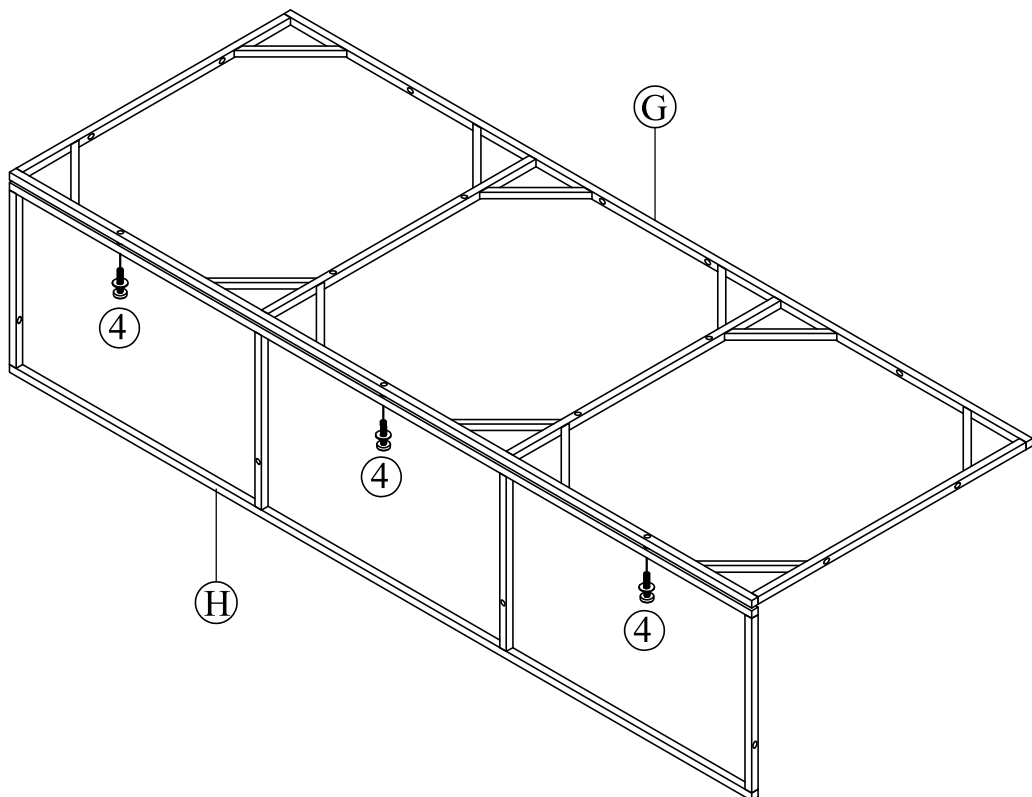
STEP 6

Put on Seat Cushion (T) & Back Pillow (U) to complete chair



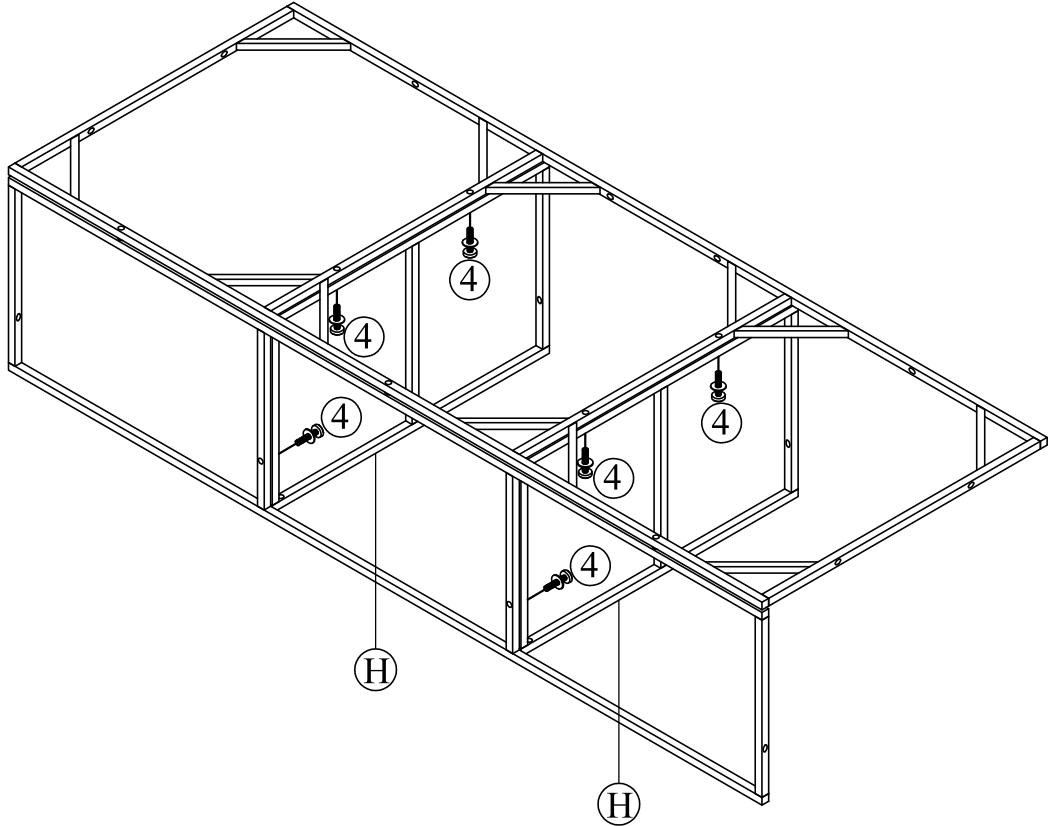
STEP 7

Connect Bench Seat Frame (G) & Bench Front Frame (H) with Bolt (4) & Washers (6)



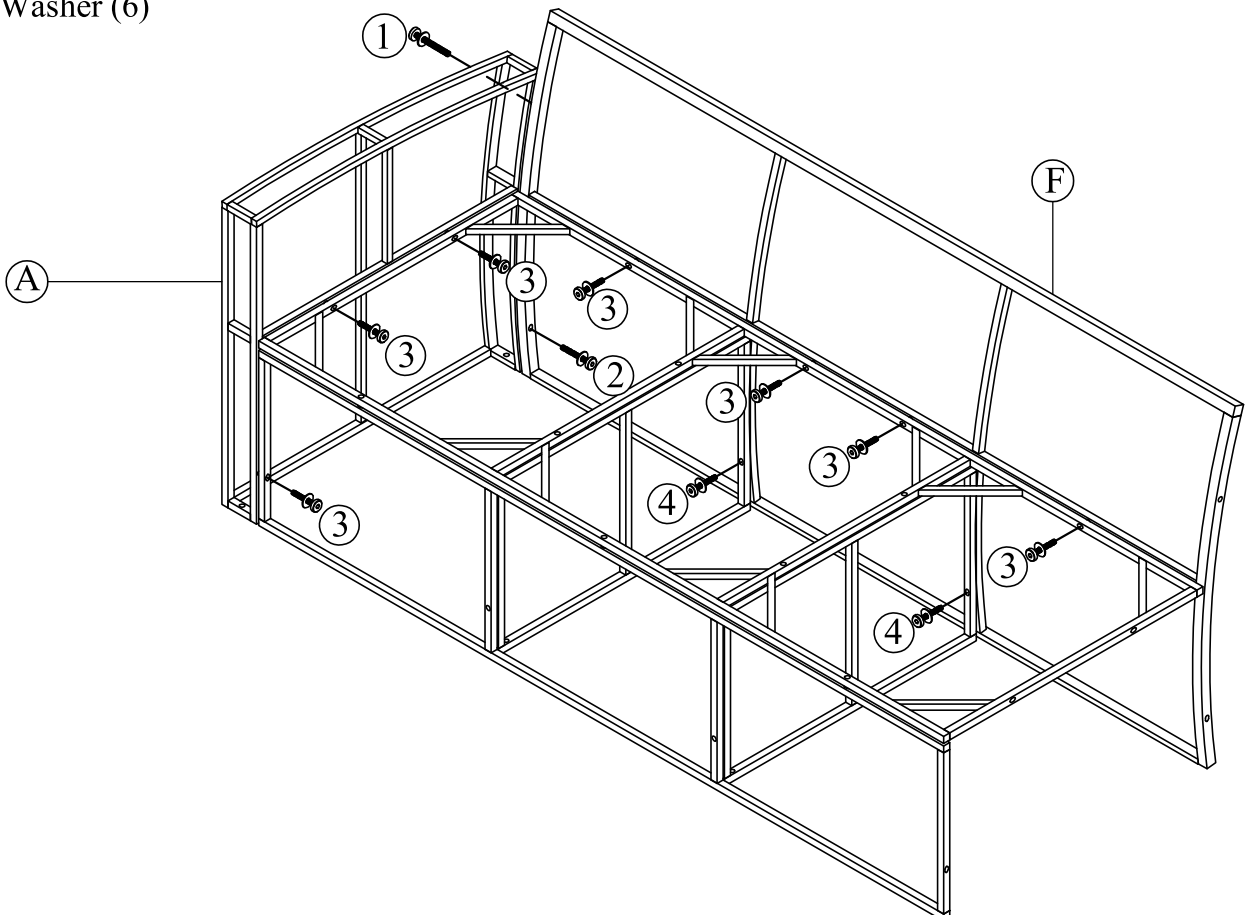
STEP 8

Connect Part from STEP 7 & Hip Support Frame (I) with Bolt (4) & Washer (6)



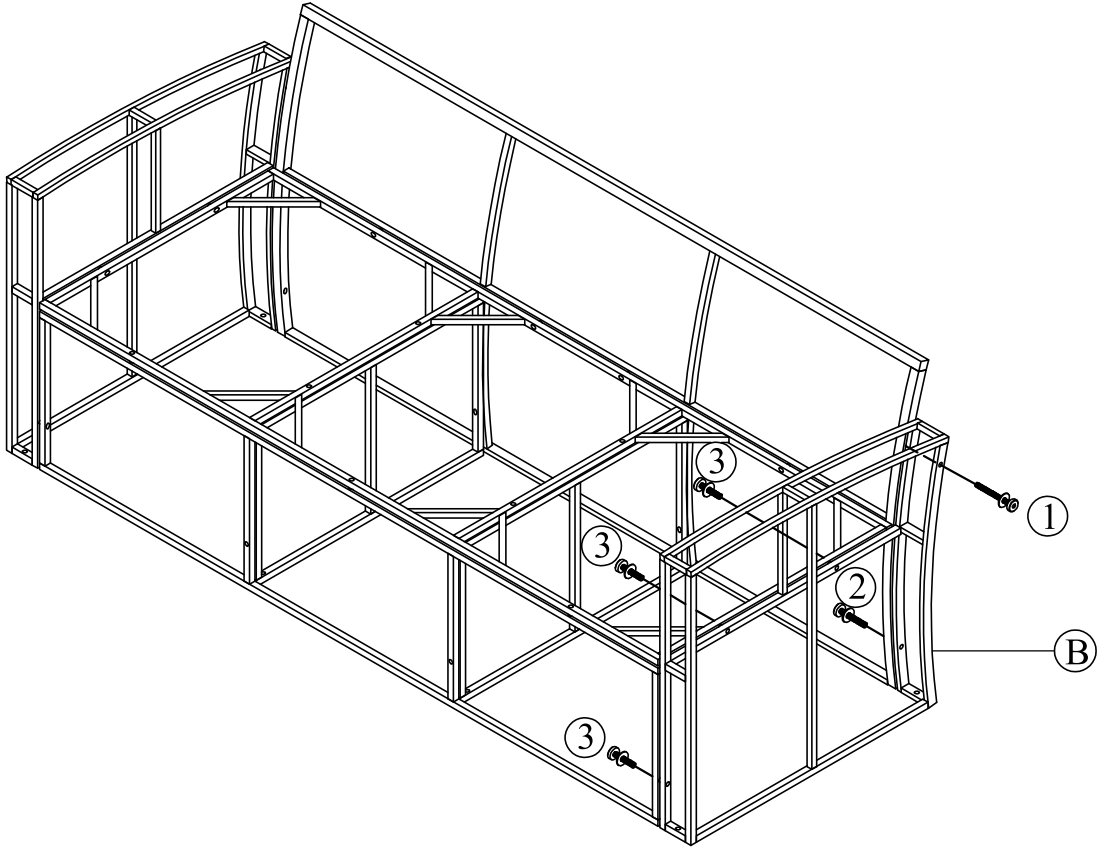
STEP 9

Connect Part from STEP 8 & Right Frame (A) & Bench back Frame (F) with Bolt (1), (2), (3), (4) & Washer (6)



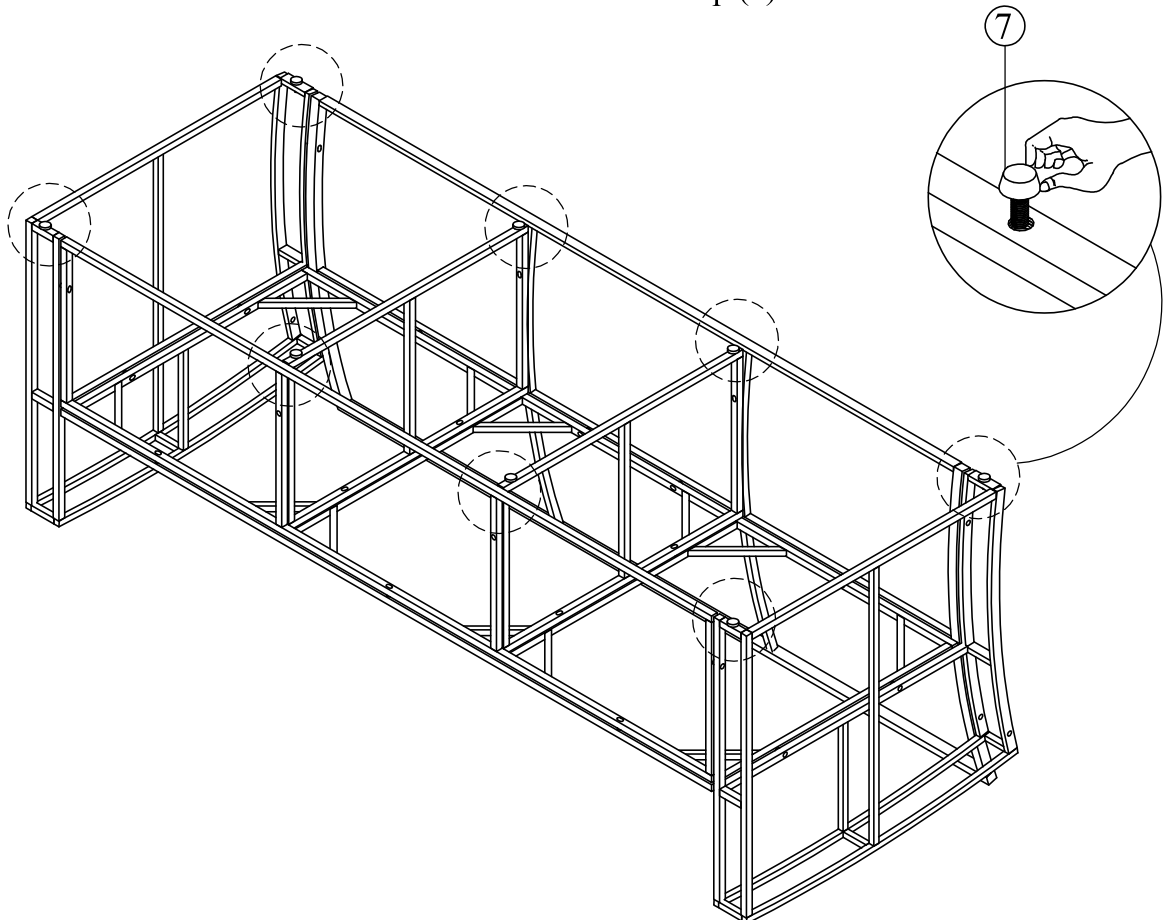
STEP 10

Connect Part from STEP 9 & Left Frame (B) with Bolt (1), (2), (3) & Washer (6)



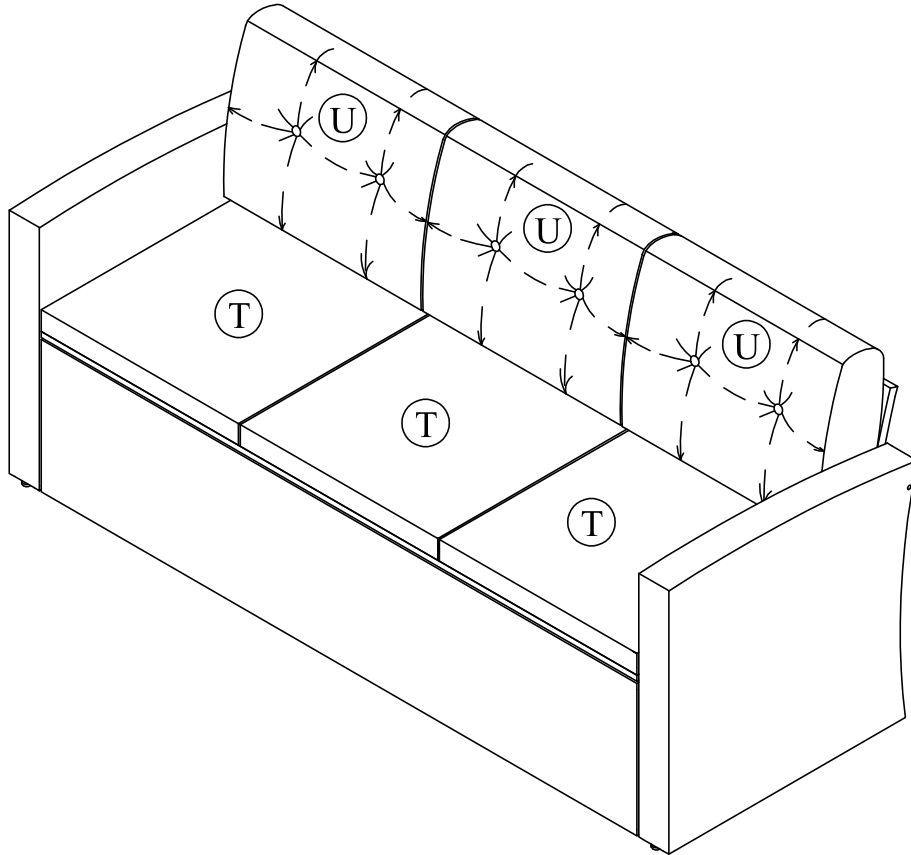
STEP 11

Connect Part from STEP 10 with Feet cap (7)



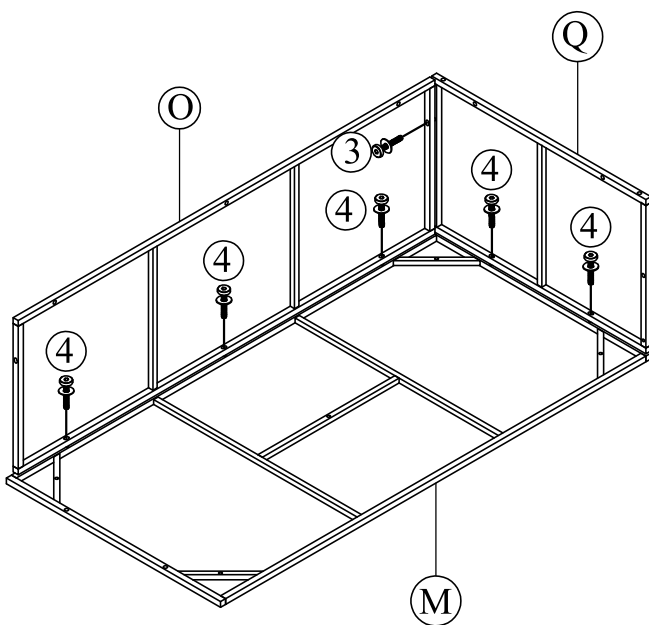
STEP 12

Put on Seat Cushion (T) & Back Pillow (U) to complete Bench



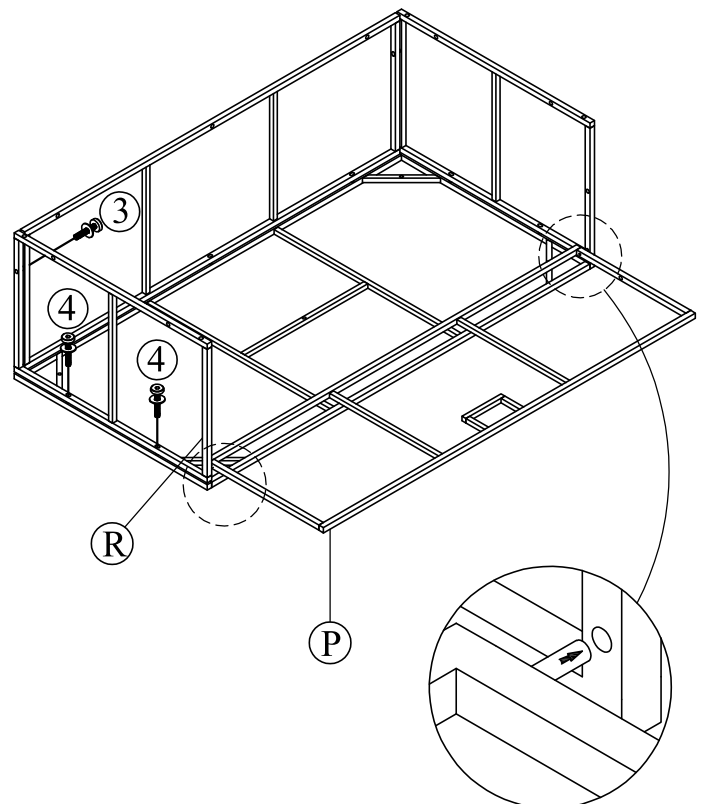
STEP 13

Connect Table top Frame (M) & Long side Table (O) & Left short side Table (Q) with Bolt (3), (4) & Washers (6)



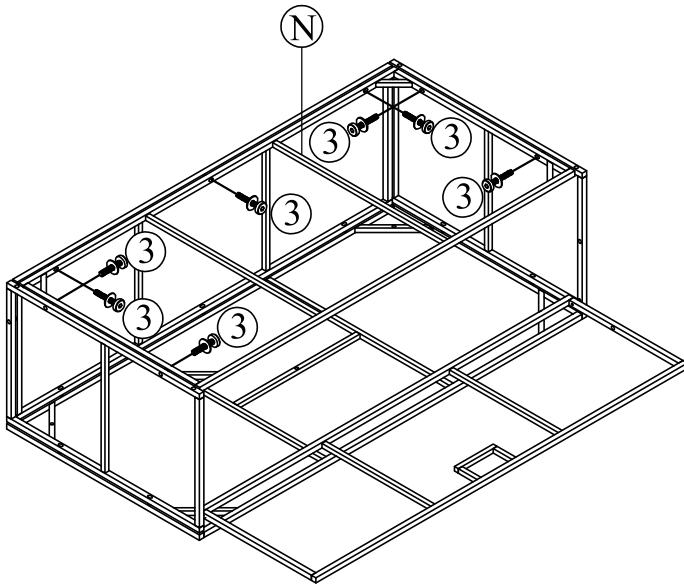
STEP 14

Connect Part from STEP 13 & Panel Frame (P) & Right short side Table (R) with Bolt (3), (4) & Washers (6)



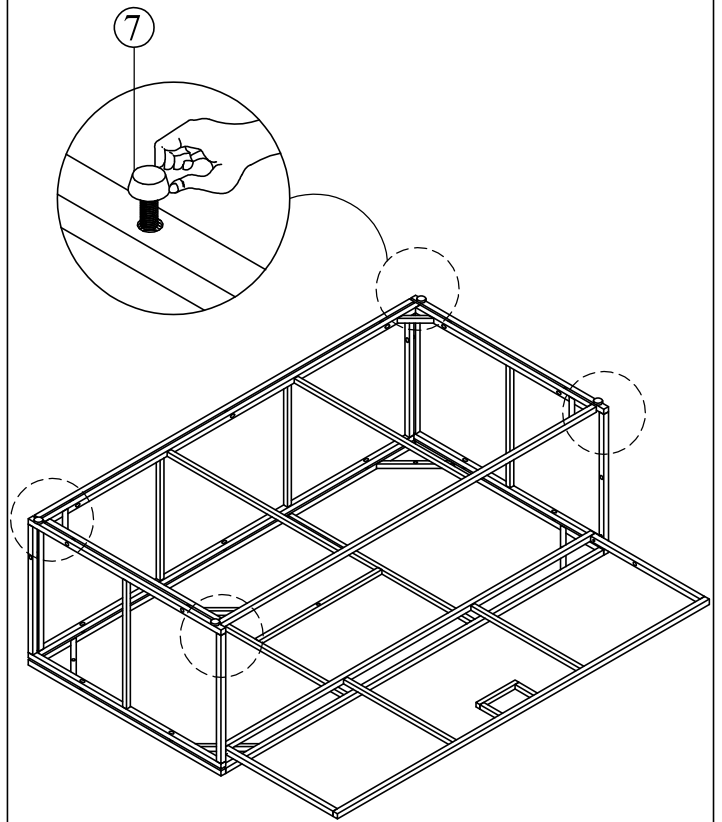
STEP 15

Connect Part from STEP 14 & Table shelf frame (N) with Bolt (3) & Washers (6)



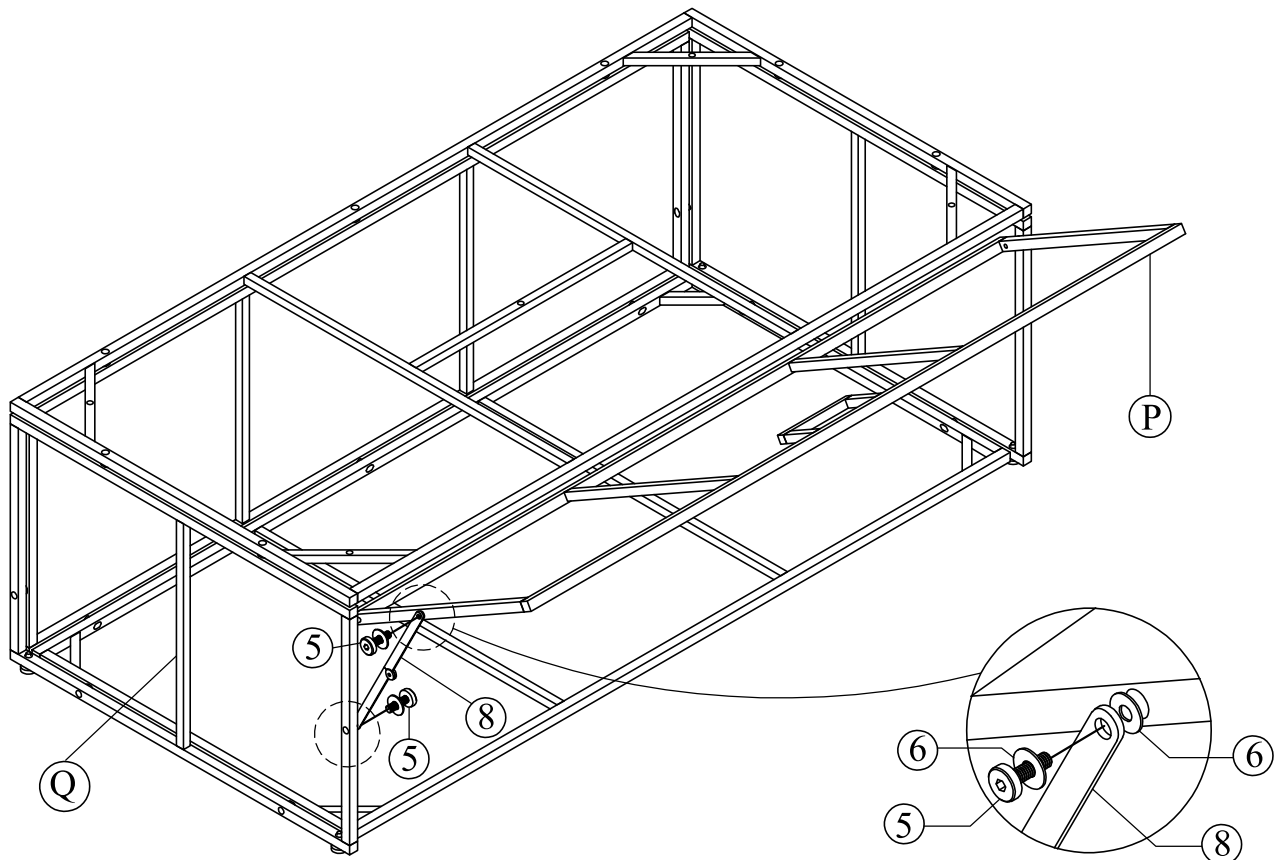
STEP 16

Connect Part from STEP 15 with Feet cap (7)



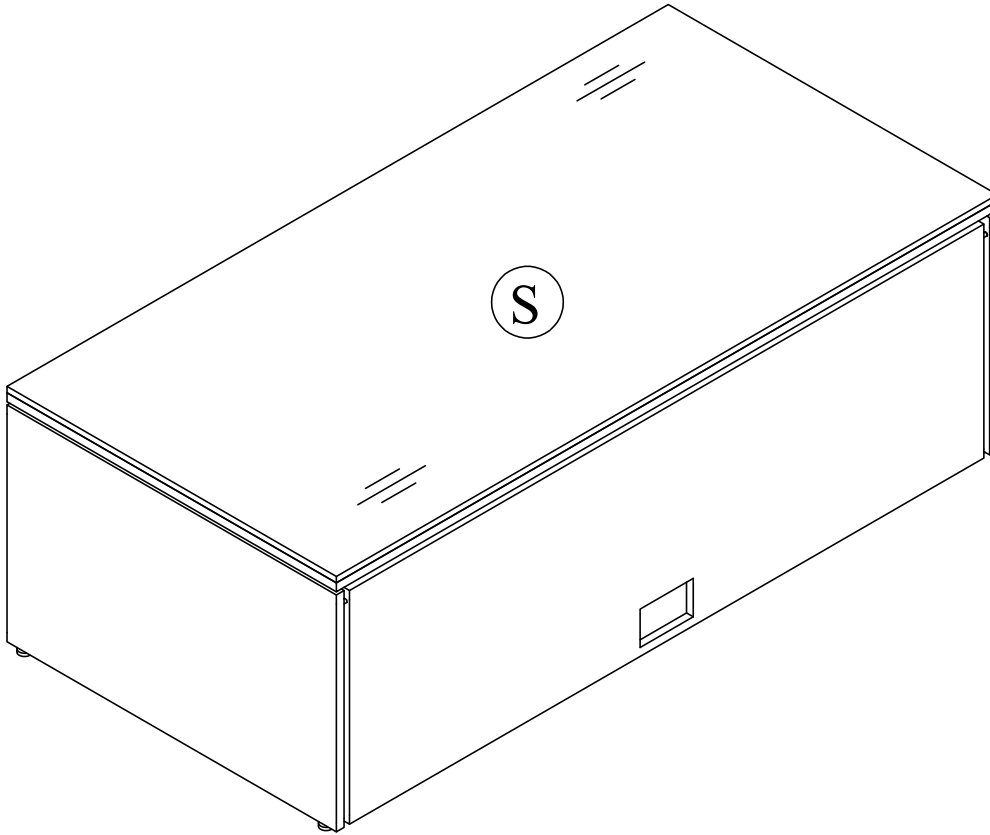
STEP 17

Connect Part from STEP 16 & Part (8) with Bolt (5) & Washers (6)



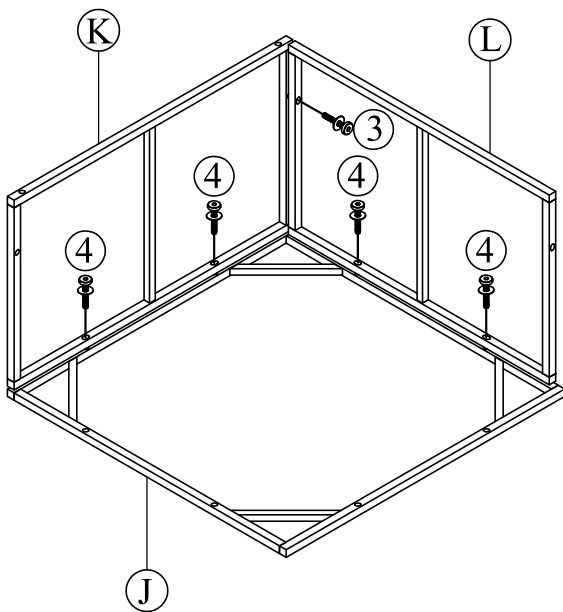
STEP 18

Put on Table glass (S) to complete the Table



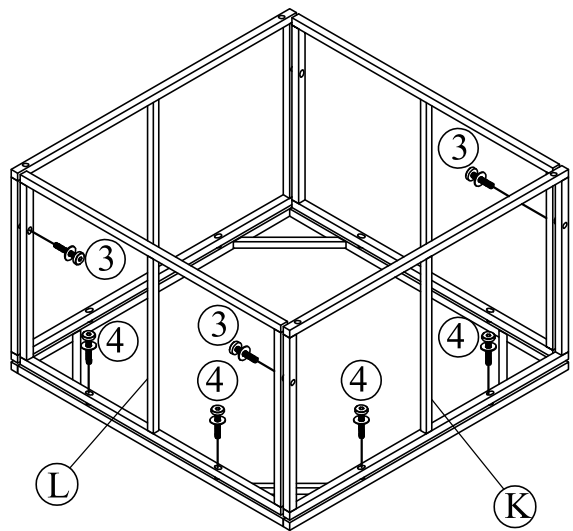
STEP 19

Connect Ottoman Frame (J) & Long side Ottoman (K) & Short side Ottoman (L) with Bolt (3), (4) & Washers (6)



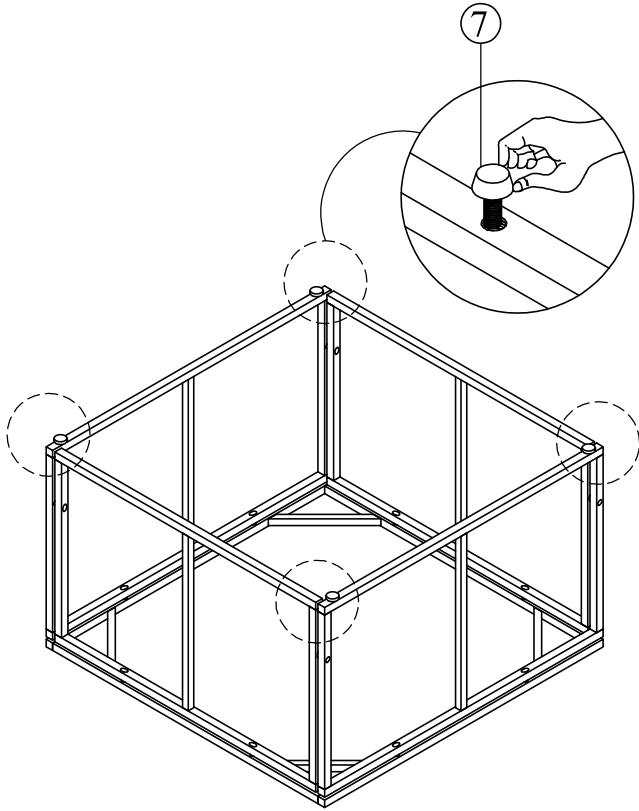
STEP 20

Connect Part from STEP 19 & Long side Ottoman (K) & Short side Ottoman (L) with Bolt (3), (4) & Washers (6)



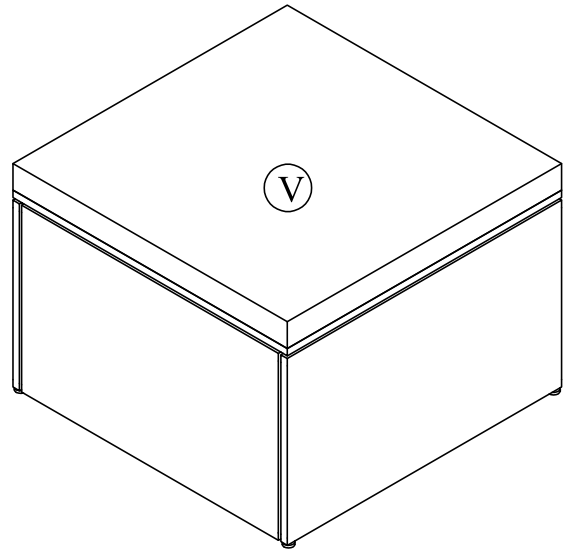
STEP 21

Connect Part from STEP 20 with Feet cap (7)

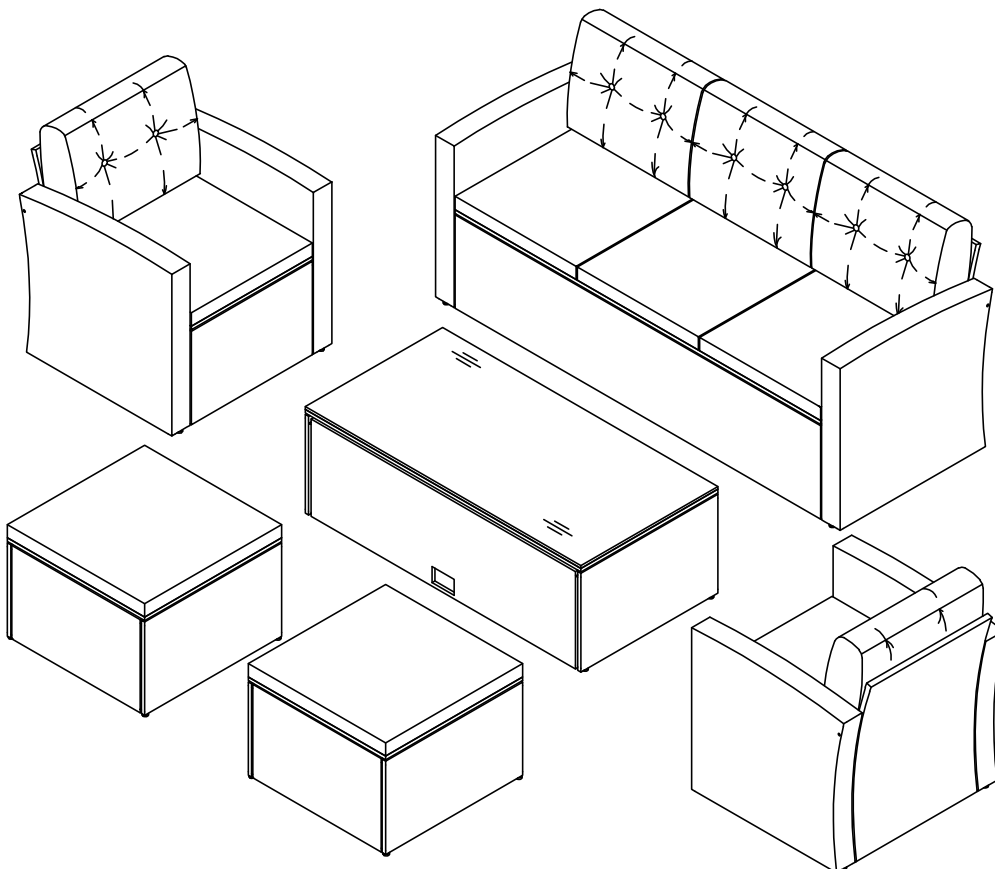


STEP 22

Put on Ottoman Cushion (V) to complete Ottoman



STEP 23



FINISH