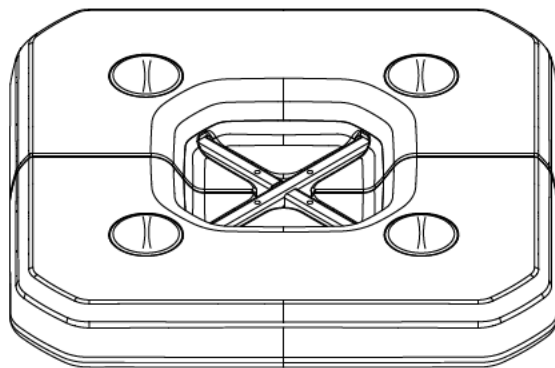


PATIO UMBRELLA BASE



Installation Steps

1.1

Add 100KG (220LBS) of sand first, then fill with water until the total weight reaches 130KG (285LBS).

Step 2

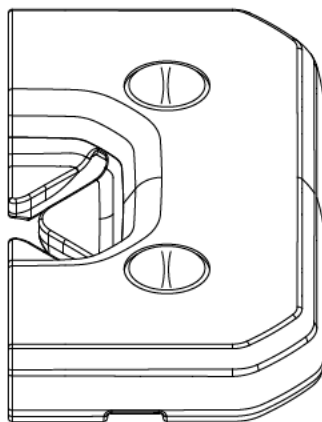
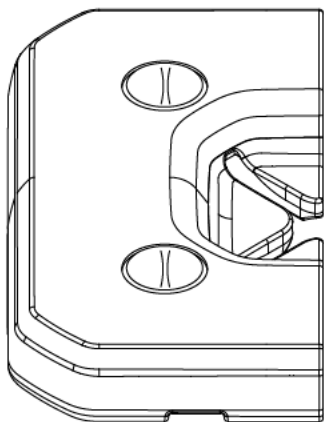
Sand & Water

Step 1

Open

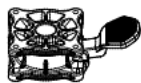
Step 3

Close

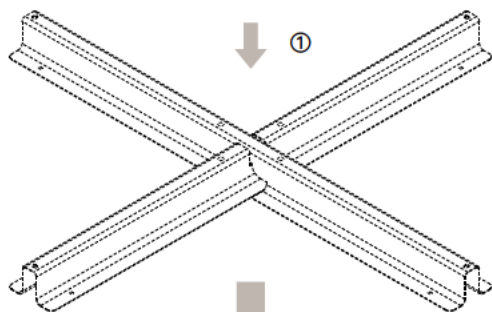
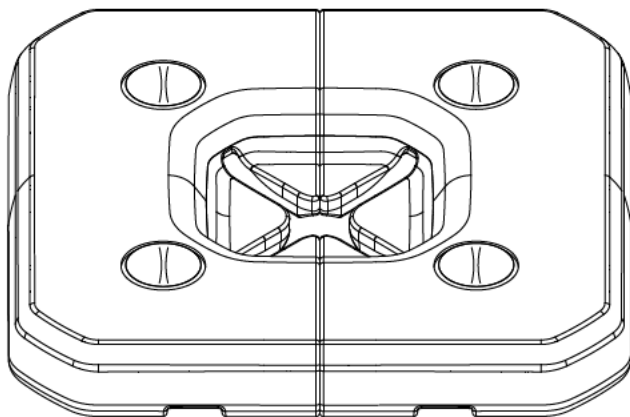


1.2

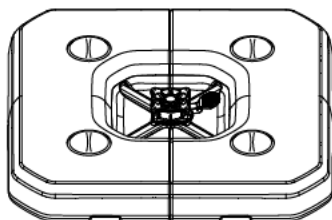
1. First, place the base on the installed cross base.
2. Install the rotating base on the cross base.



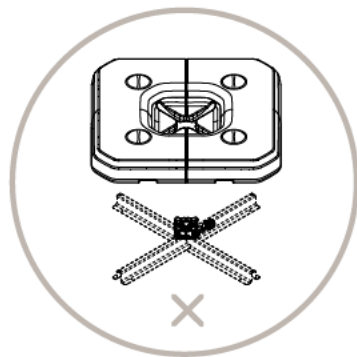
Note: Rotating base and cross base are sold together with Lausaint Home umbrella (not included).



Complete



Do not reverse the assembly sequence.



Caring For Your Item

USE & CARE INSTRUCTIONS

- Always keep children under close supervision while they are using or around this product. Never leave children unattended.
- This product is intended for domestic outdoor use only.
- Do not light any fires below or near the product.
- Check all nuts and bolts periodically for tightness. When required, tighten them again.

CLEANING

Wash with mild dish soap and water, rinse with clean water, and allow to air dry. Do not use harsh chemicals or abrasive cleaners, or any other special detergents as they may be harmful to the product's finish!

