

# *ASSEMBLY INSTRUCTIONS*



# ASSEMBLY INSTRUCTIONS

## ASSEMBLY TIPS:

1. Remove hardware from box and sort by size.
2. Please check to see that all hardware and parts are present prior to start of assembly.
3. Please follow attached instructions in the same sequence as numbered to assure fast & easy assembly.



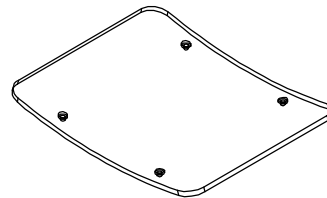
## WARNING!

1. Don't attempt to repair or modify parts that are broken or defective. Please contact the store immediately.
2. This product is for home use only and not intended for commercial establishments.

ASSEMBLY TIME 35 MINUTES

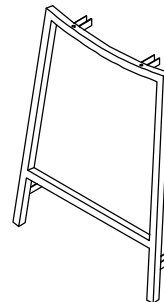
## PARTS IDENTIFICATION

A ACRYLIC SEAT



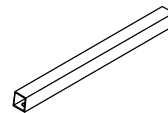
1PC

B FRONT AND BACK FRAME



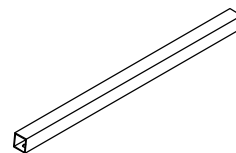
2PCS

C TOP CROSSBAR



2PCS

D BOTTOM CROSSBAR










2PCS

# ASSEMBLY INSTRUCTIONS

Z

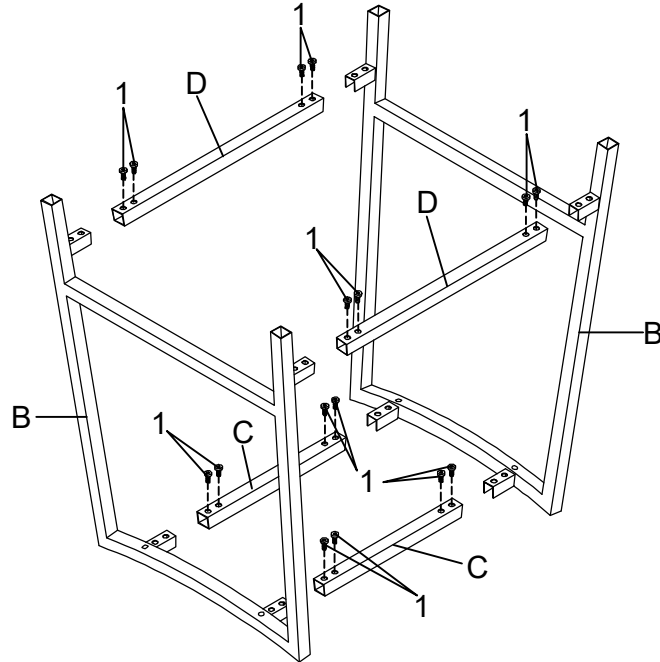
## HARDWARE IDENTIFICATION

1	SHORT BOLT (1/4" x 12mm SR)		16PCS	5	PLASTIC BUSHING		4PCS
2	LONG BOLT (1/4" x 35mm SR)		4PCS	6	SPRING WASHER		4PCS
3	NUT		4PCS	7	ALLEN WRENCH (4mm)		1PC
4	CAP (20 x 20mm BLK)		4PCS				

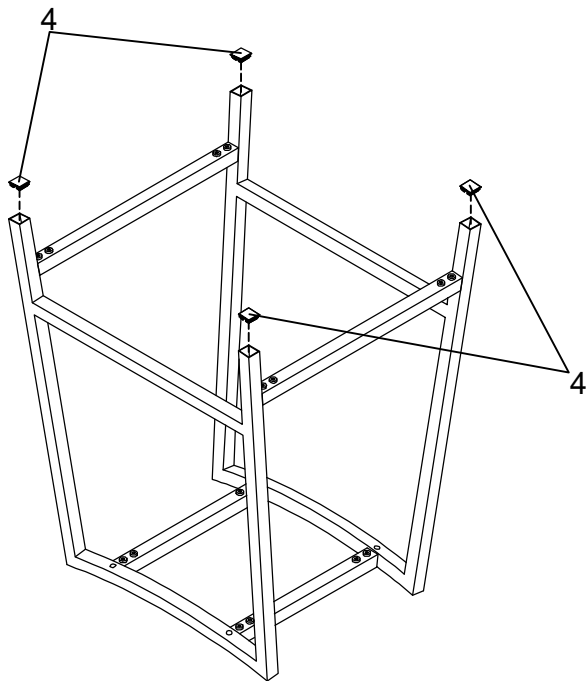
NOTE: QUANTITIES SHOWN ARE FOR ONE STOOL

# ASSEMBLY INSTRUCTIONS

**STEP 1** Do not tighten until each step is completed or instructed.

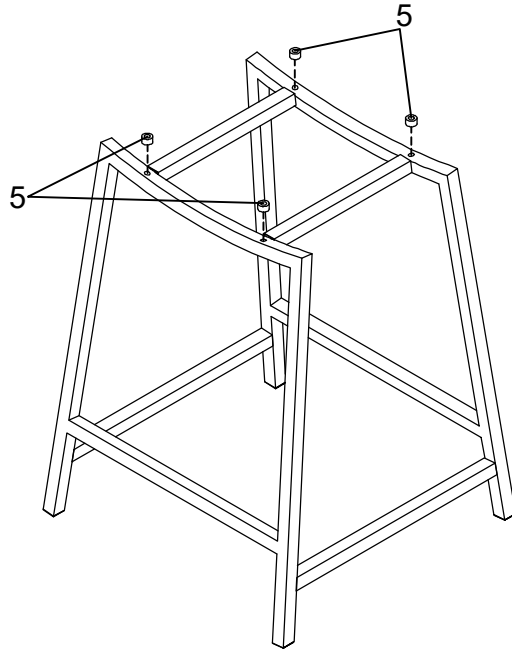


## STEP 2

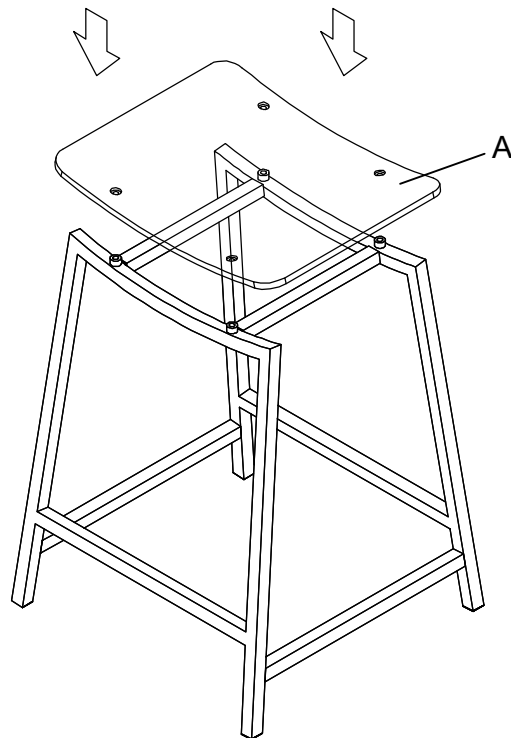


# ASSEMBLY INSTRUCTIONS

## STEP 3

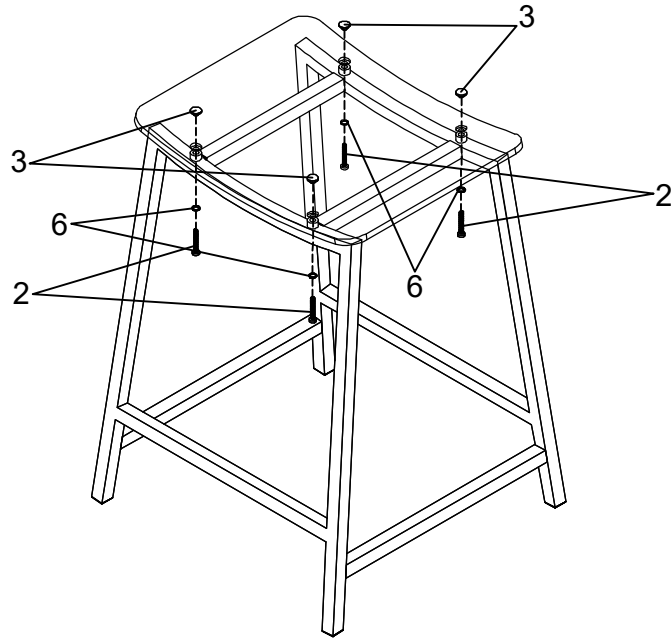


## STEP 4



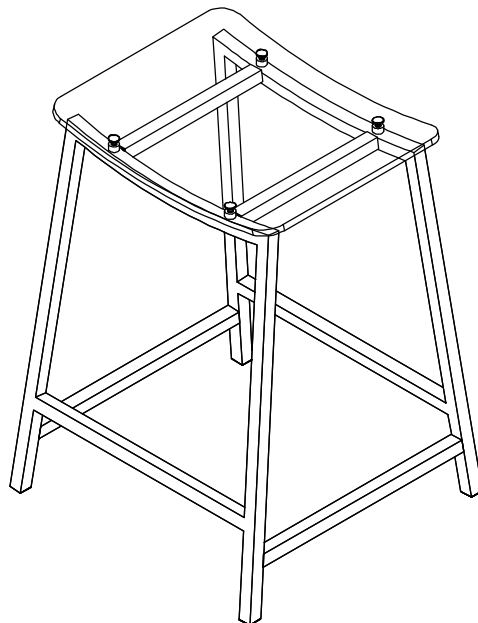
# ASSEMBLY INSTRUCTIONS

## STEP 5



## STEP 6

### COMPLETE

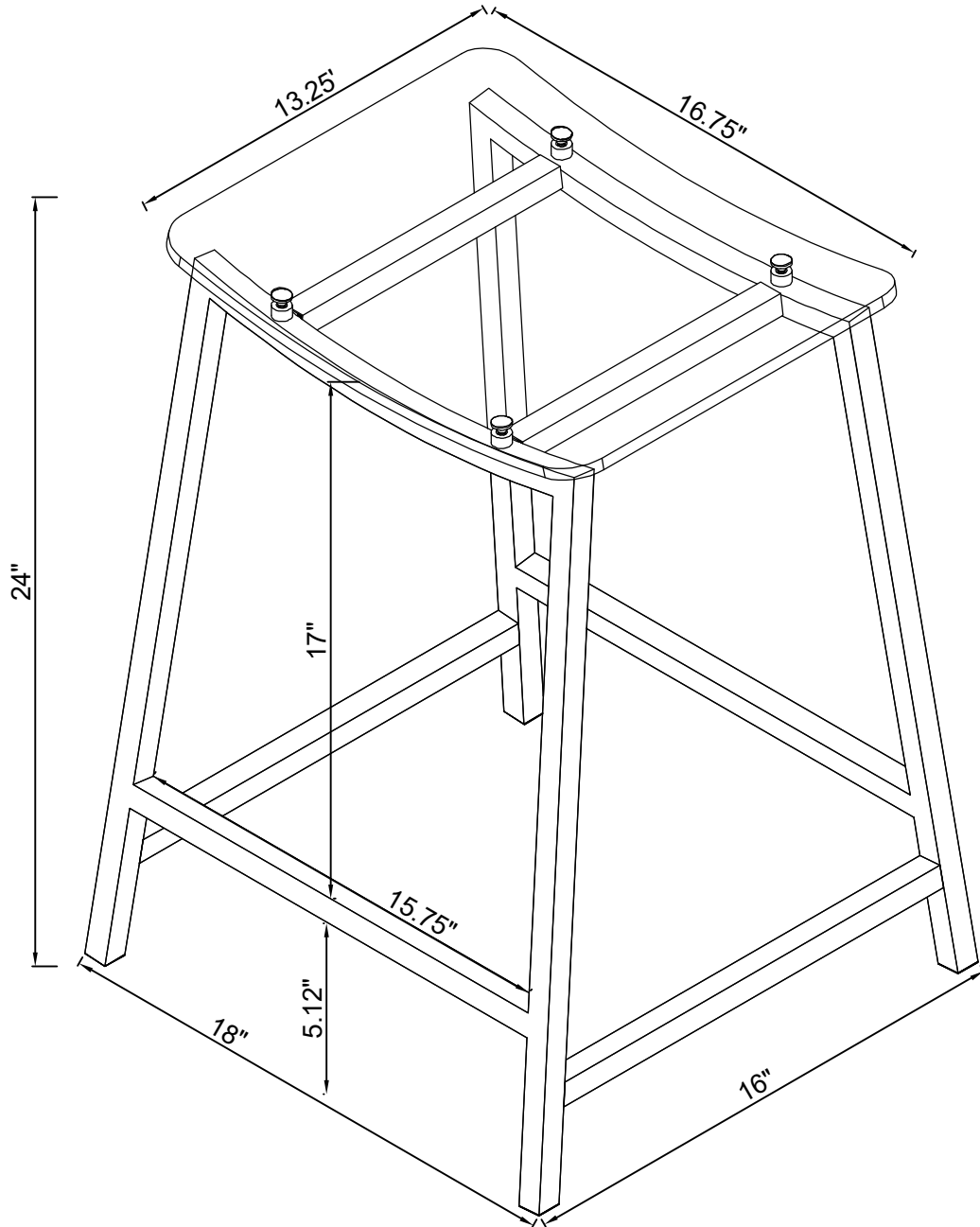


How to clean Acrylic product:  
Using a dry soft microfiber cloth, lightly brush off any dust.  
For additional care, dampen the cloth with warm water.  
For deepest cleaning, use an Acrylic cleaner.

# ASSEMBLY INSTRUCTIONS

Product Size : 457 X 406 X 610 H (MM)

Product Size : 18" X 16" X 24"



Note : Dimension tolerance  $\pm 5\%$