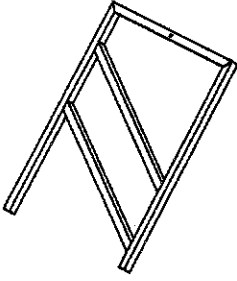


IMPORTANT: DON' T FASTEN BOLTS UNTIL ALL PARTS IN POSITION.

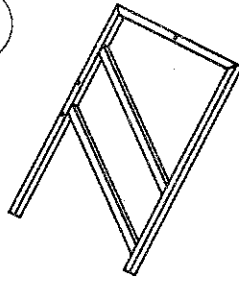
PART

A



X1

B



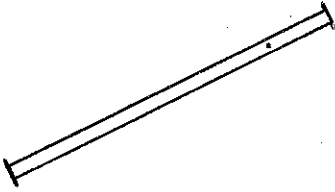
X1

C



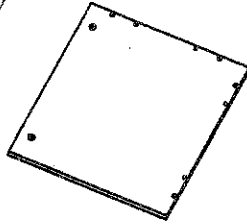
X1

D



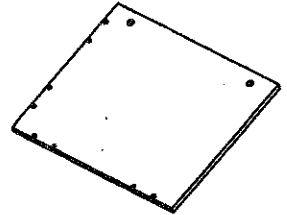
X1

E



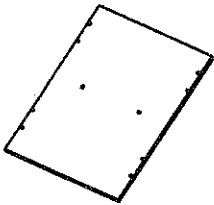
X1

F



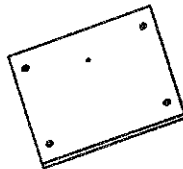
X1

G



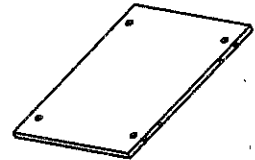
X1

H



X1

I



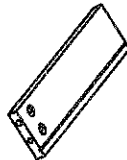
X1

J



X1

K



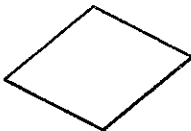
X1

L



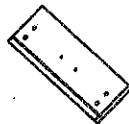
X1

M



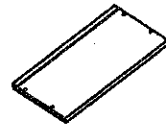
X2

N



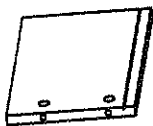
X1

O



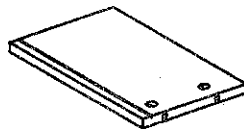
X1

P



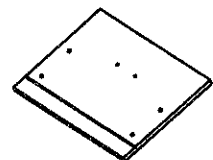
X1

Q



X1

R



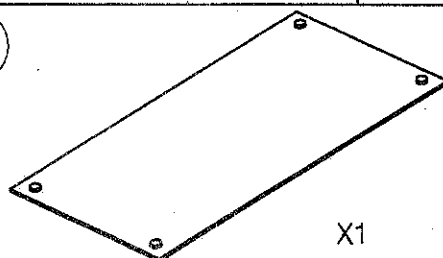
X1

S

















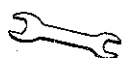
X4

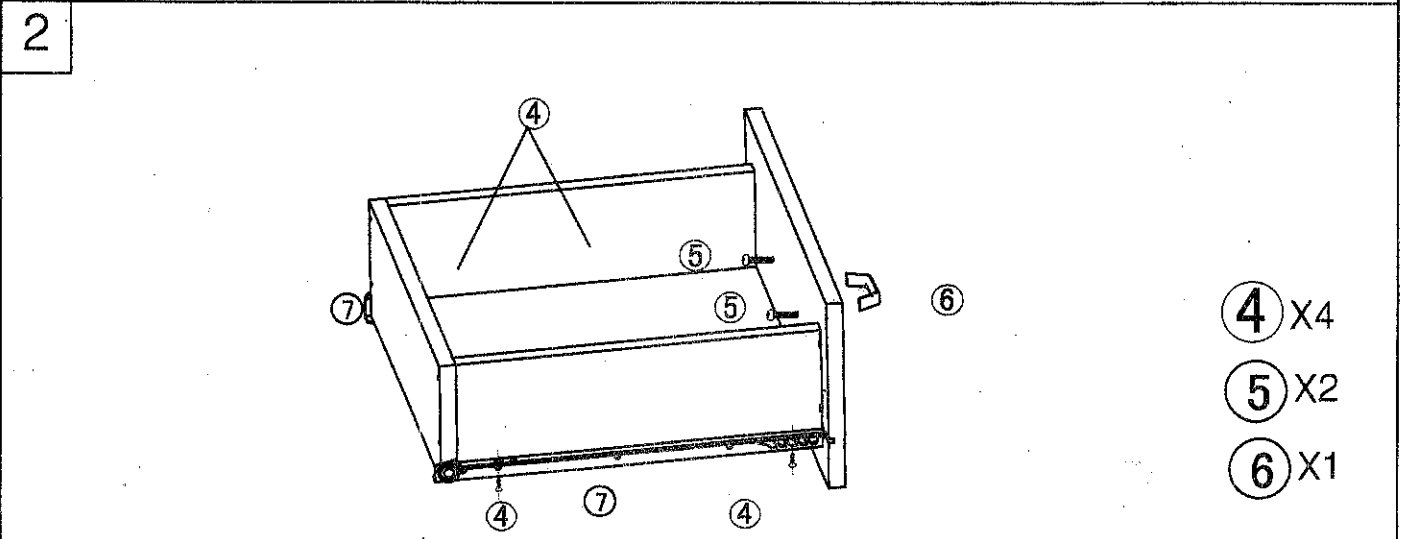
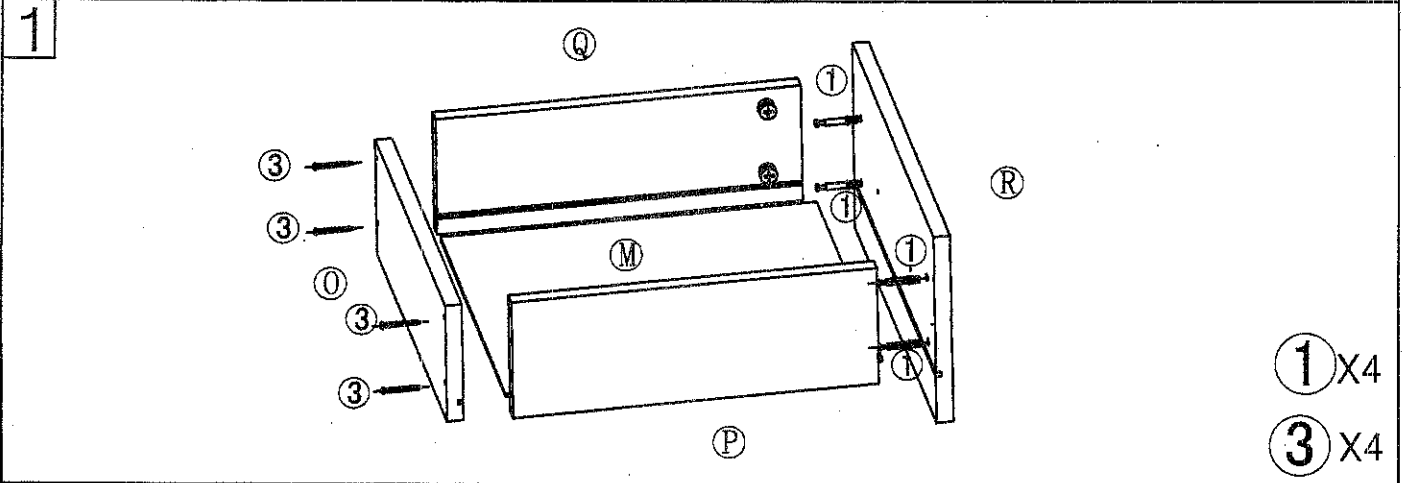
T



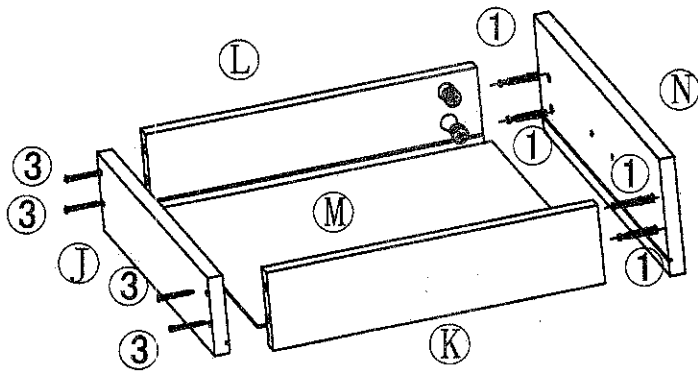
X1

PARTS

①		20PCS	⑧		M6x45 6PCS
②		12PCS	⑨		M6x20 4PCS
③		M4X35 8PCS	⑩		M6x50 3PCS
④		M4X14 16PCS	⑪		M6 3PCS
⑤		M4X18 4PCS	⑫		3PCS
⑥		2PCS	⑬		M6X20 4PCS
⑦		2SETS			



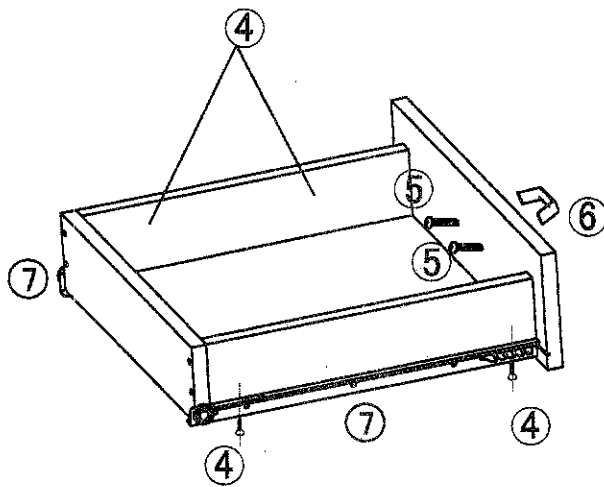
3



1 X4

3 X4

4

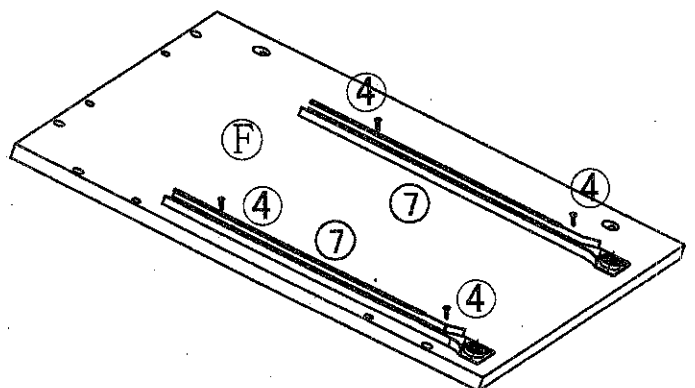
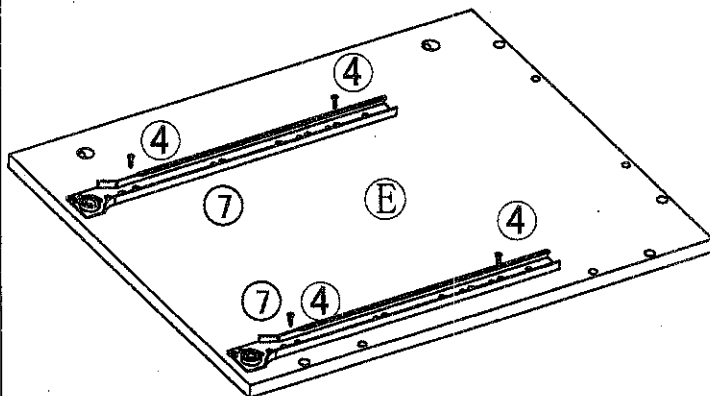


4 X4

5 X2

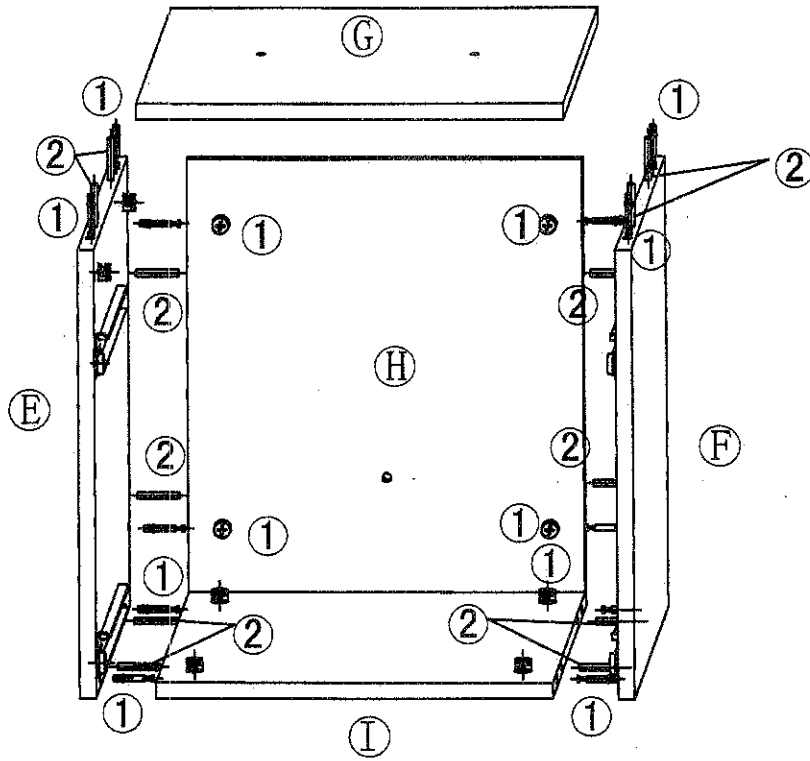
6 X1

5



4 X8

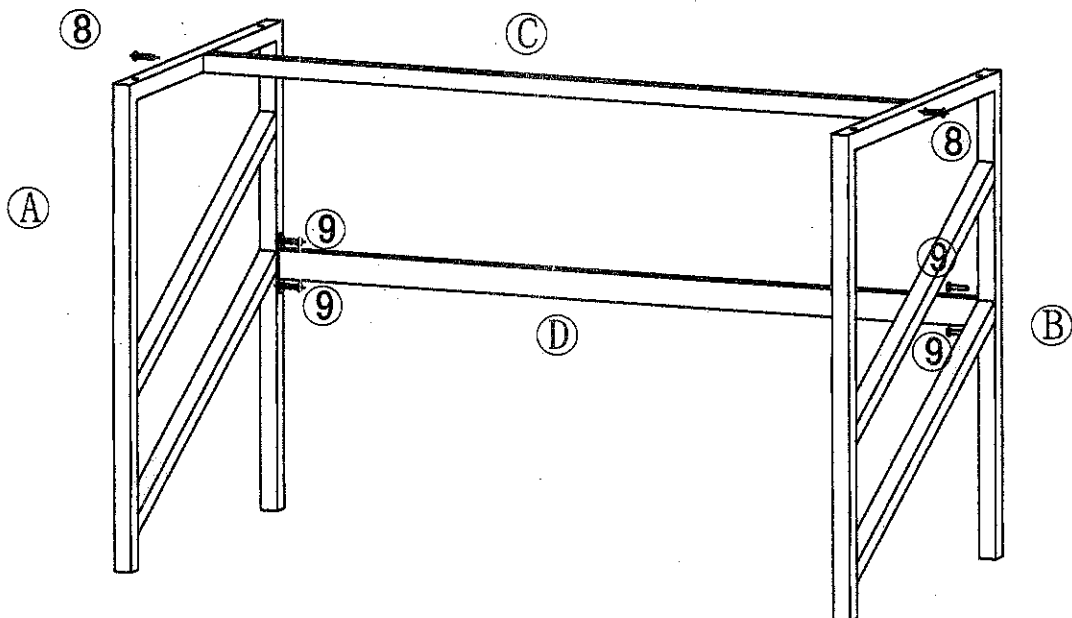
6



① X12

② X12

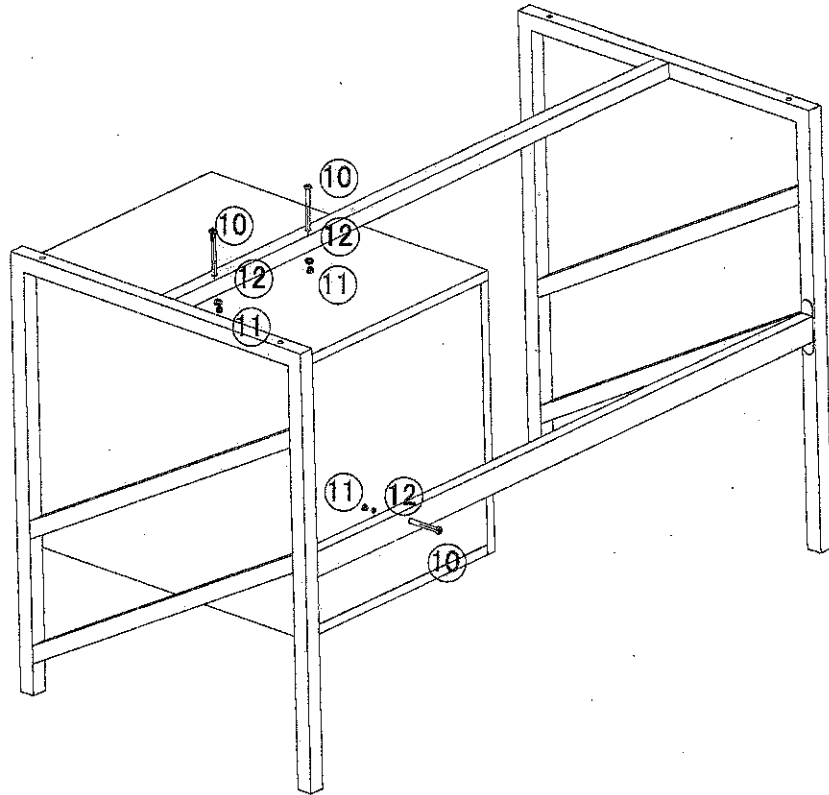
7



⑧ X2

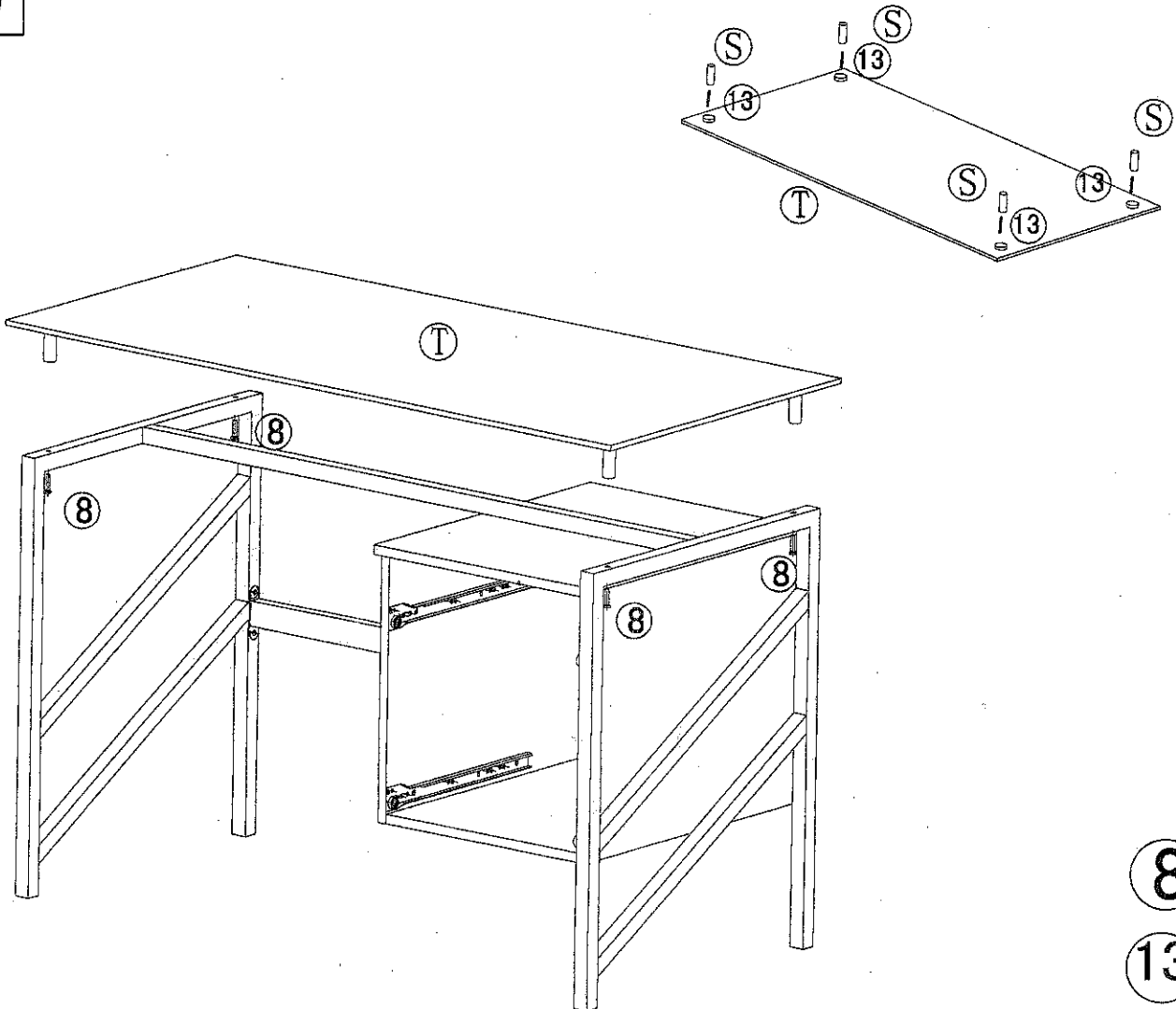
⑨ X4

8



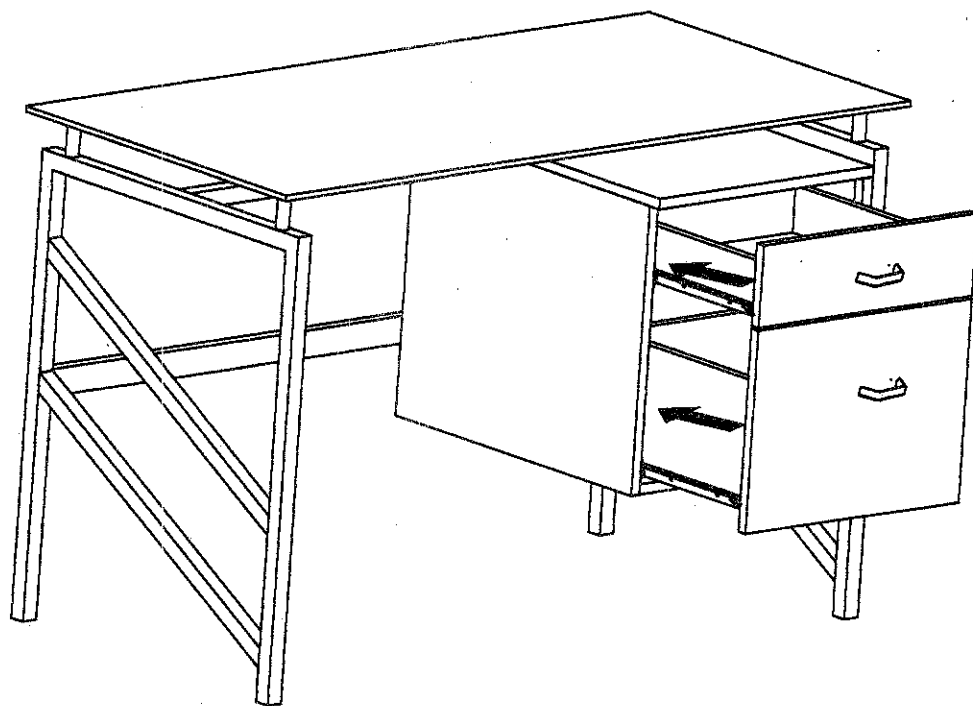
- ⑩ X3
- ⑪ X3
- ⑫ X3

9



- ⑧ X4
- ⑬ X4

10



11

