

End Table



Safety And Maintanances

Important – Please read these instructions carefully before assembly

Please verify that all the components and tools listed have been received.

Please remove all fittings from the box and separate them into homologous groups.

Please keep children and animals away from the working areas;swallow small parts may cause suffocation.

Please make sure you have enough space to lay out the parts before starting.

Please assemble the products as close to their final position as possible.

Do not place furniture directly in front of radiators, fires, or any other source of heat.

Having two people will make the assembly process easier.

Please dispose of all packaging carefully and responsibly.



General care and maintenance

Please clean the product with a damp cloth; do not use bleach or abrasive cleaners.

Do not allow the spill to stay on the surface for a long time.

Do not clean with products containing the following: acetone(e.g.,nail varnish remover), ammonia(e.g.,bleach),or sodium hydroxide(e.g.,caustic soda, drain and oven cleaners).

Please check whether there are missing screws in the product regularly.

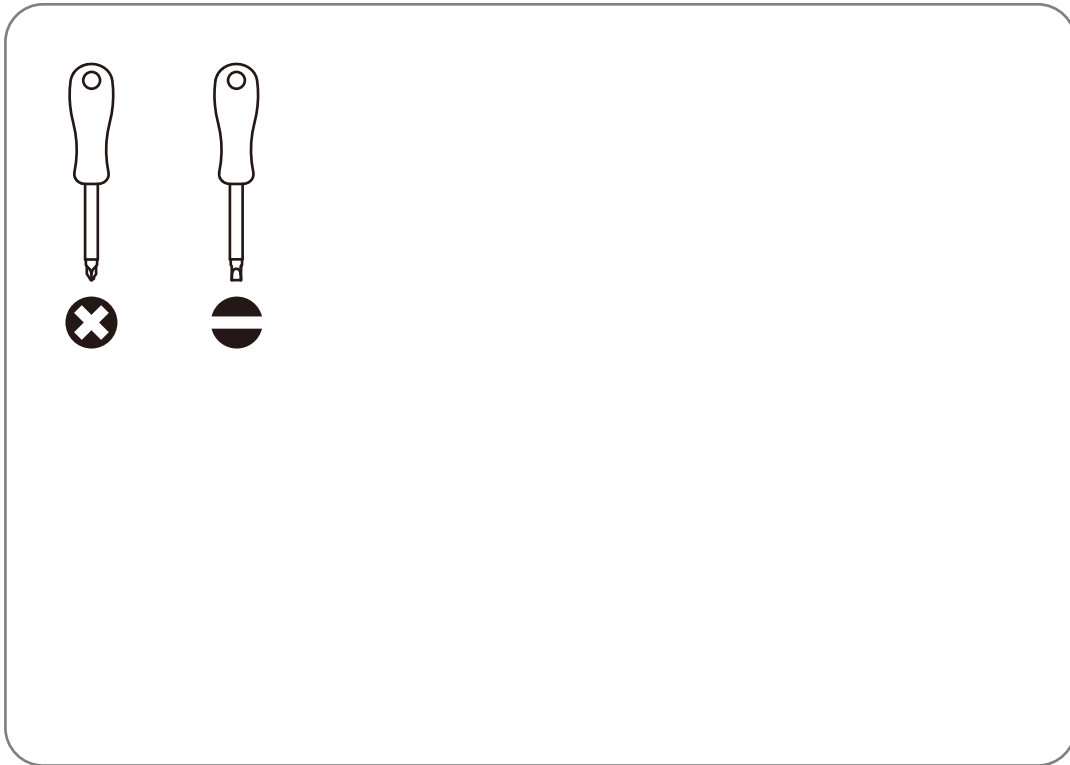
The product should not be discarded with household waste. and please take it to your local disposal center.



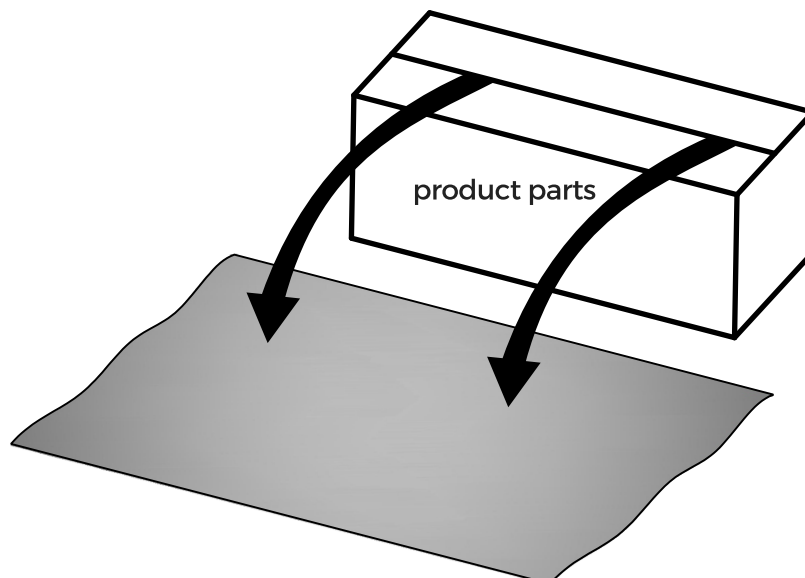
Safety And Maintanances

Important - Please read the instructions carefully before assembly.

Tools Required

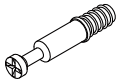


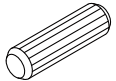
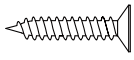
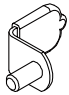
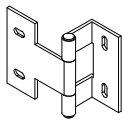

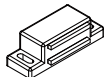

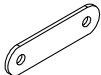

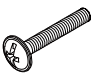
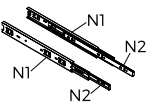
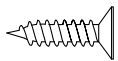
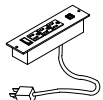
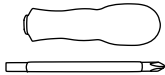




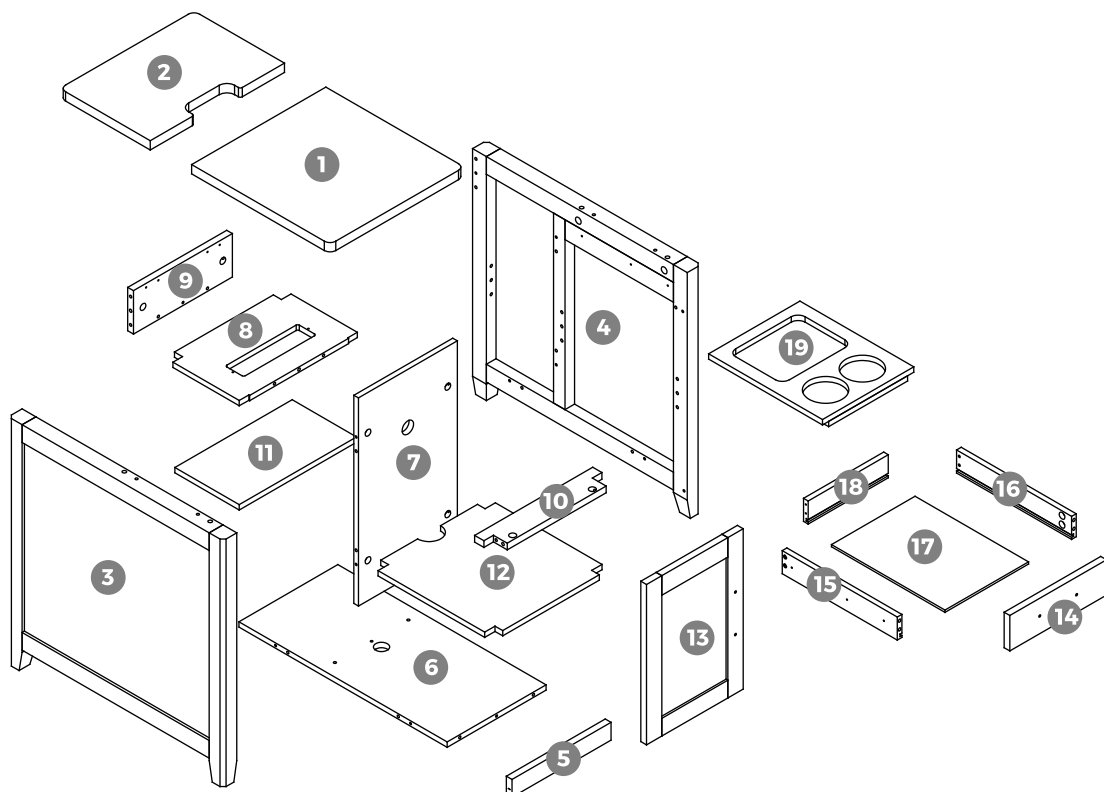
Lay a piece of clean paper or carpet on the floor, then put the product parts on it to prevent scratching.



Components

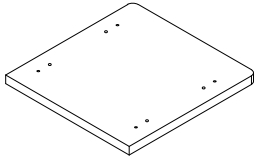
Please check if all the pieces listed below are received.

<p>A *25pcs</p>  <p>Two-in-one rod</p>	<p>B *10pcs</p>  <p>(diameter 15*11mm) Two-in-one lock</p>	<p>C *15pcs</p>  <p>(diameter 15*9mm) Two-in-one lock</p>	<p>D *25pcs</p>  <p>(diameter 6*30mm) Wood tenon</p>	<p>E *4pcs</p>  <p>(M4*35mm) Self-tapping screw</p>
<p>F *8pcs</p>  <p>L shape shelf support</p>	<p>G *4pcs</p>  <p>Trifold hinge</p>	<p>H *16pcs</p>  <p>(diameter 4*14mm) Umbrella head self-tapping screw</p>	<p>I *1pc</p>  <p>Magnetic catch</p>	<p>J *2pcs</p>  <p>(M3*15mm) Cross head screw</p>
<p>K *1pc</p>  <p>(33 pitch-row) Magnetic iron piece</p>	<p>L *2pcs</p>  <p>Aluminum alloy handle</p>	<p>M *4pcs</p>  <p>(M4*15mm) Pulling screw</p>	<p>N *1pc</p>  <p>(300mm) Three-section slide rail</p>	<p>O *16pcs</p>  <p>(M3*12mm) Cross tapping screw</p>
<p>P *1pc</p>  <p>(209*53*46mm) Socket</p>	<p>Q *1pc</p>  <p>Dual-use screwdriver</p>	<p>R *2pcs</p>  <p>(diameter 5*48mm) Small self-tapping screw</p>	<p>S *1pc</p>  <p>(M3) Inner hexagon spanner</p>	

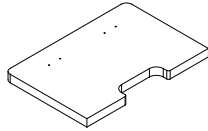


Components

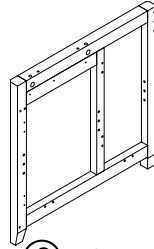
Please check if all the pieces listed below are received.



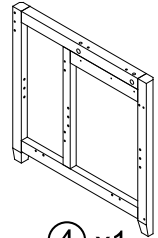
① x1



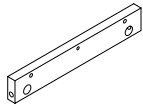
② x1



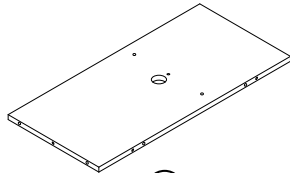
③ x1



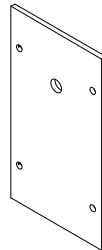
④ x1



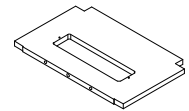
⑤ x1



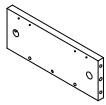
⑥ x1



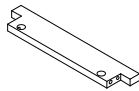
⑦ x1



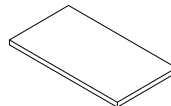
⑧ x1



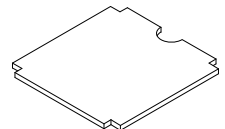
⑨ x1



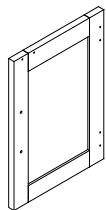
⑩ x1



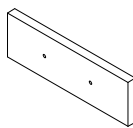
⑪ x1



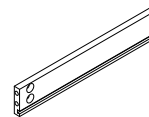
⑫ x1



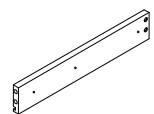
⑬ x1



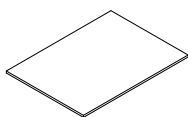
⑭ x1



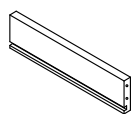
⑮ x1



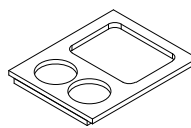
⑯ x1



⑰ x1



⑱ x1



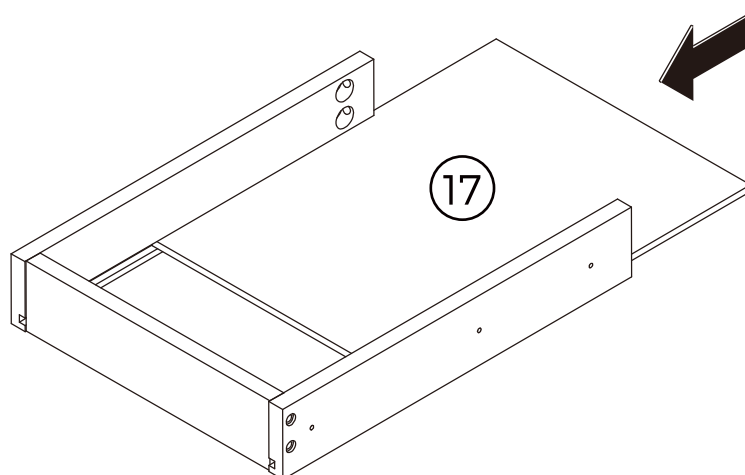
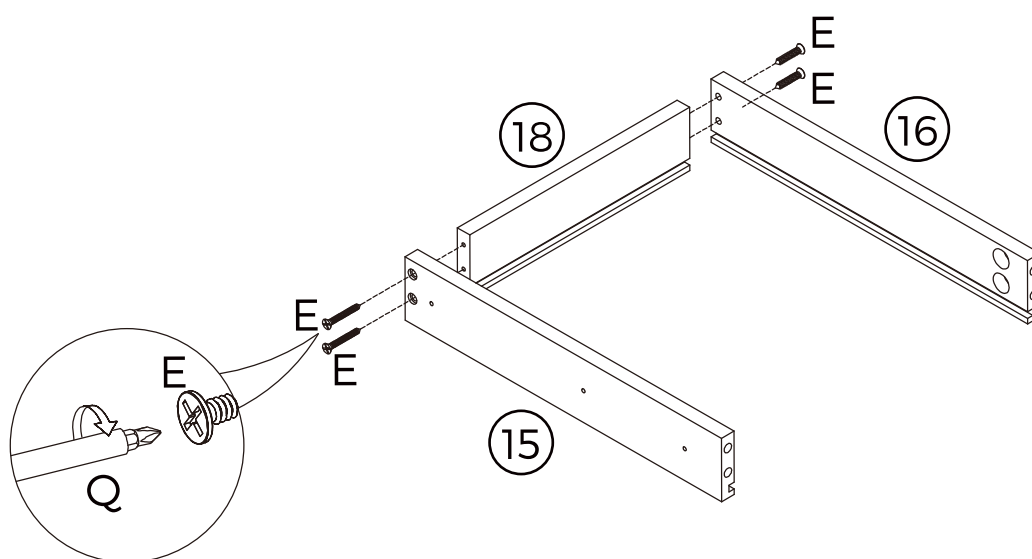
⑲ x1

Assembly Instructions

CAUTION : Inappropriate installation of screws will cause damages to the product !

Step 1

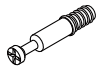
 E x 4 pcs



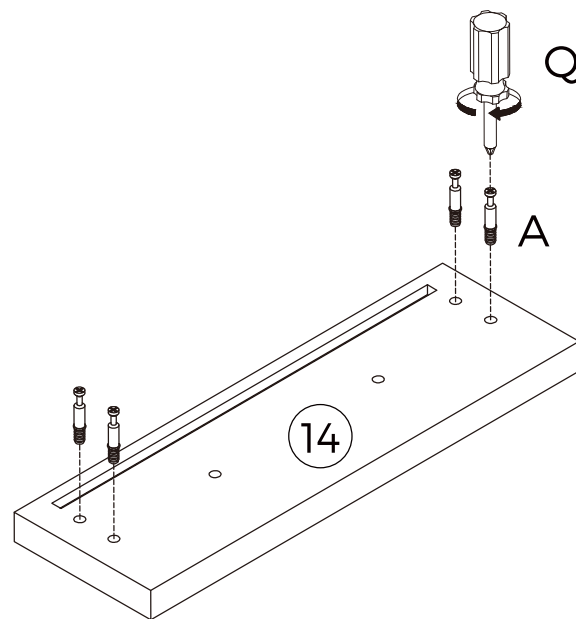
Assembly Instructions

CAUTION : Inappropriate installation of screws will cause damages to the product !

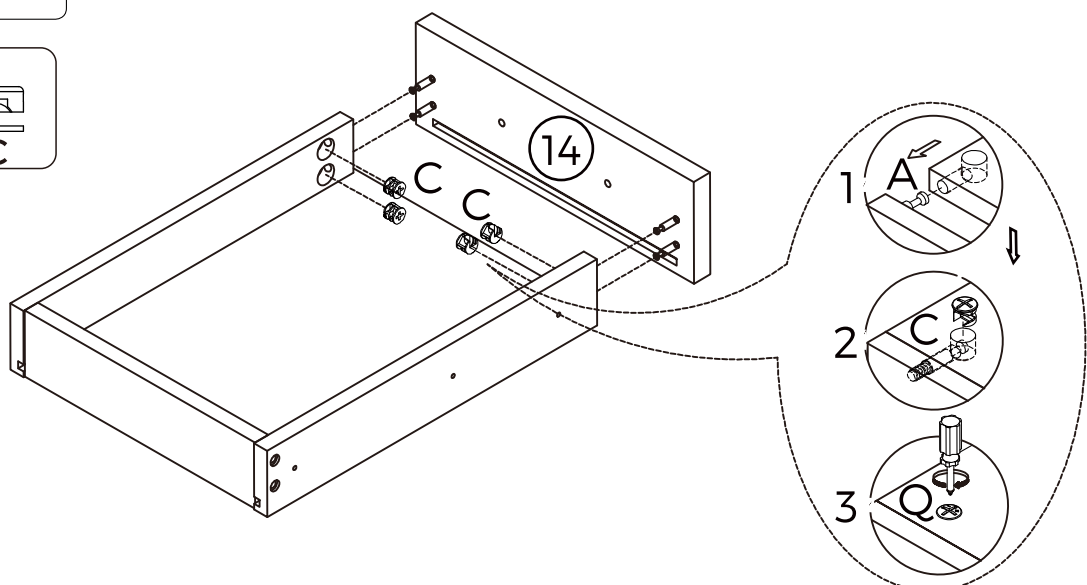
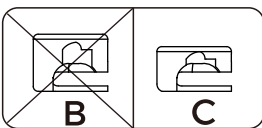
Step 2



A x 4 pcs



C x 4 pcs

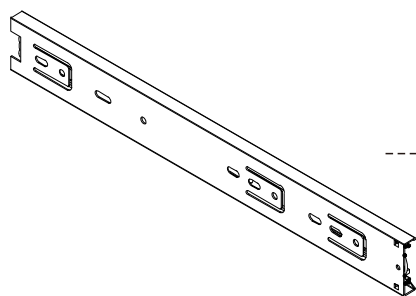
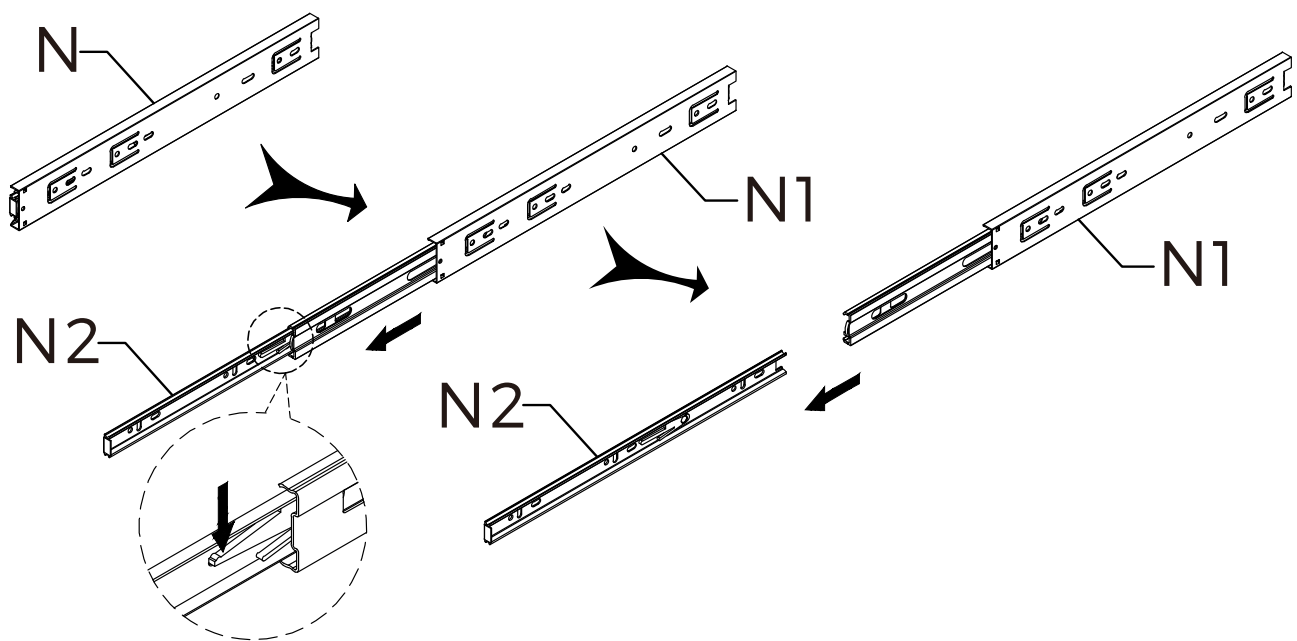


Assembly Instructions

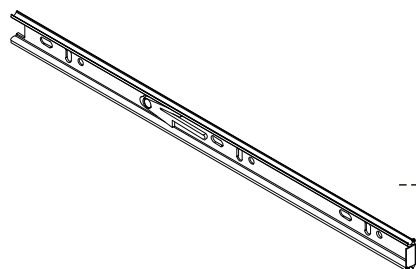
CAUTION : Inappropriate installation of screws will cause damages to the product !

Step 3

Three-section slide rail Split Diagram



N1*2pcs

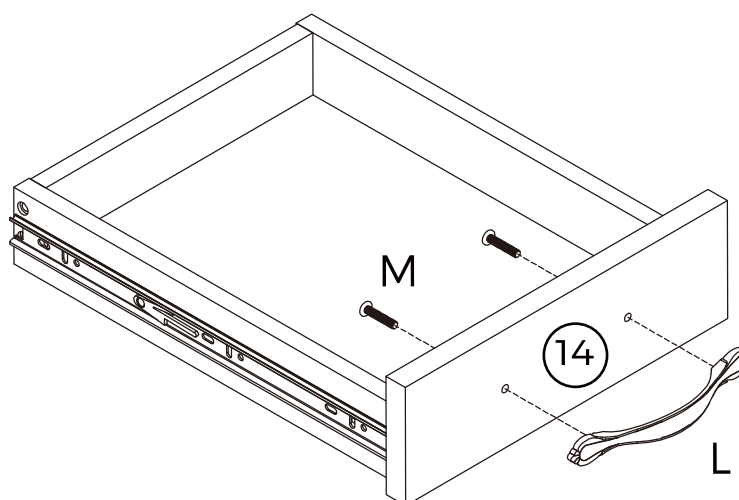
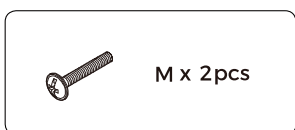
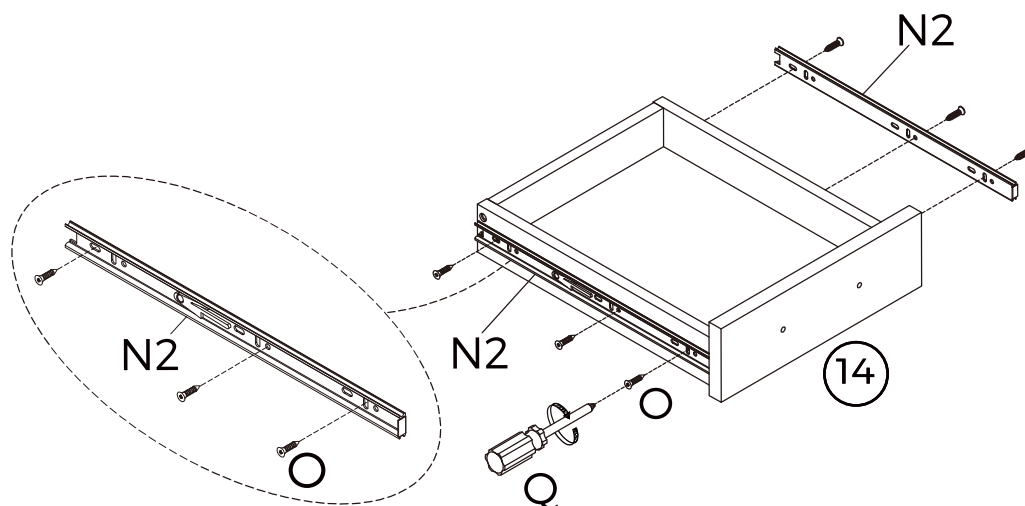
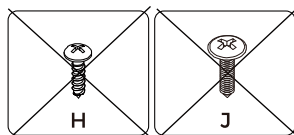
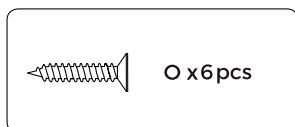
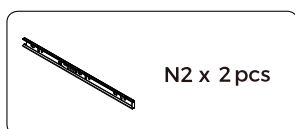


N2*2pcs

Assembly Instructions

CAUTION : Inappropriate installation of screws will cause damages to the product !

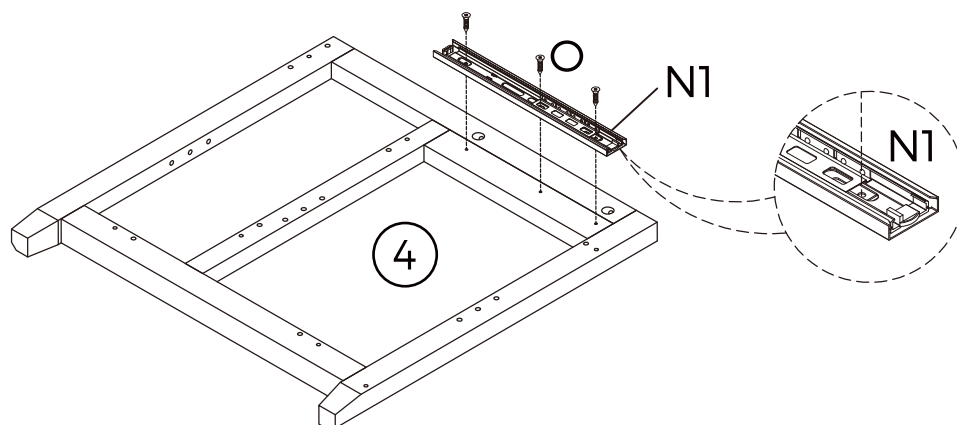
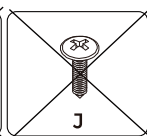
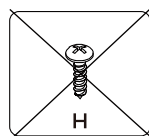
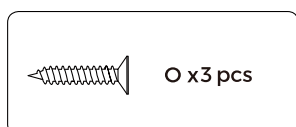
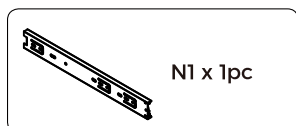
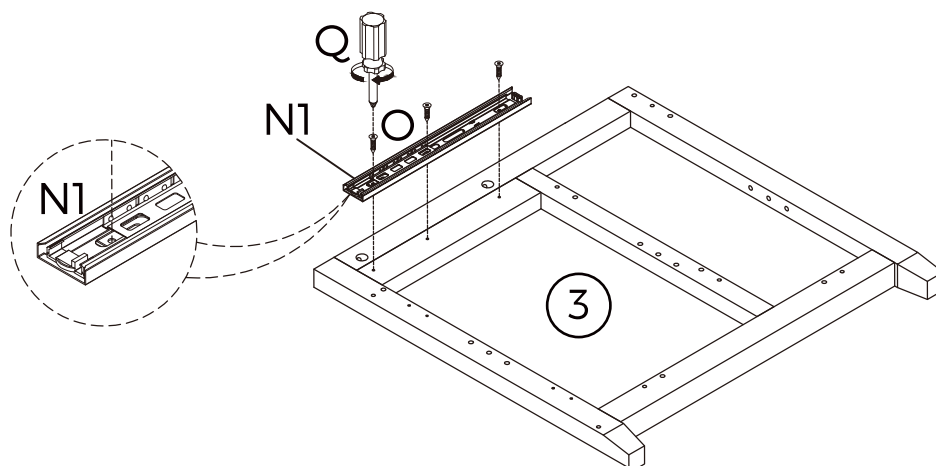
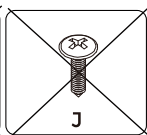
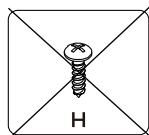
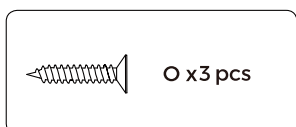
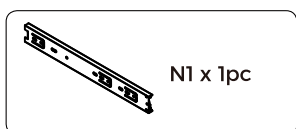
Step 4



Assembly Instructions

CAUTION : Inappropriate installation of screws will cause damages to the product !

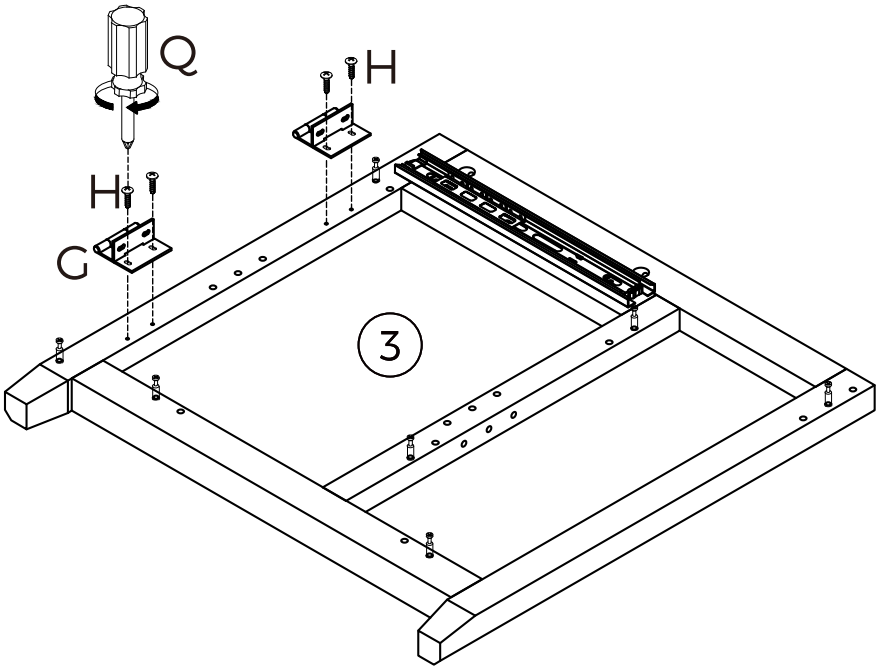
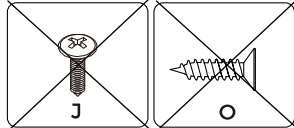
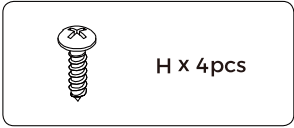
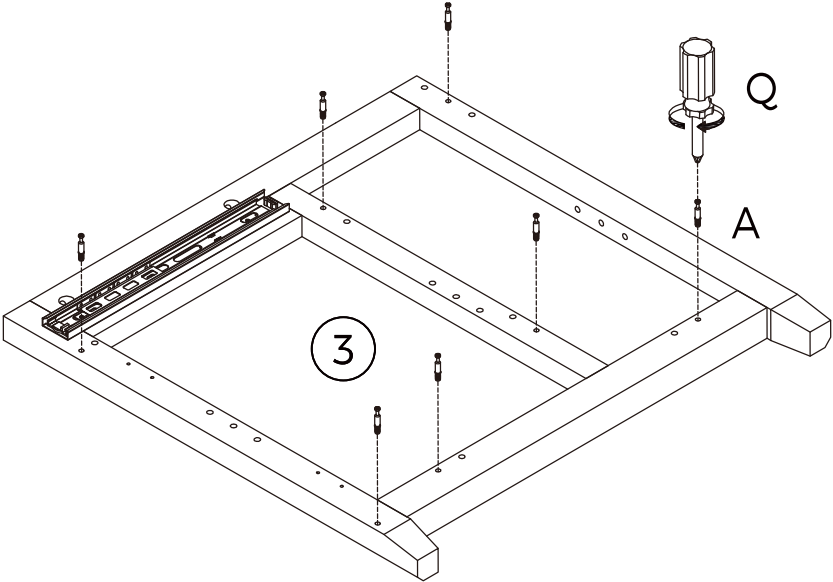
Step 5



Assembly Instructions

CAUTION : Inappropriate installation of screws will cause damages to the product !

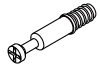
Step 6



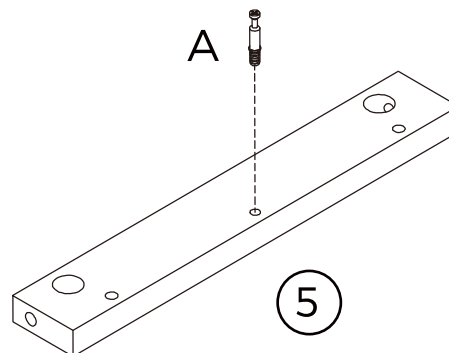
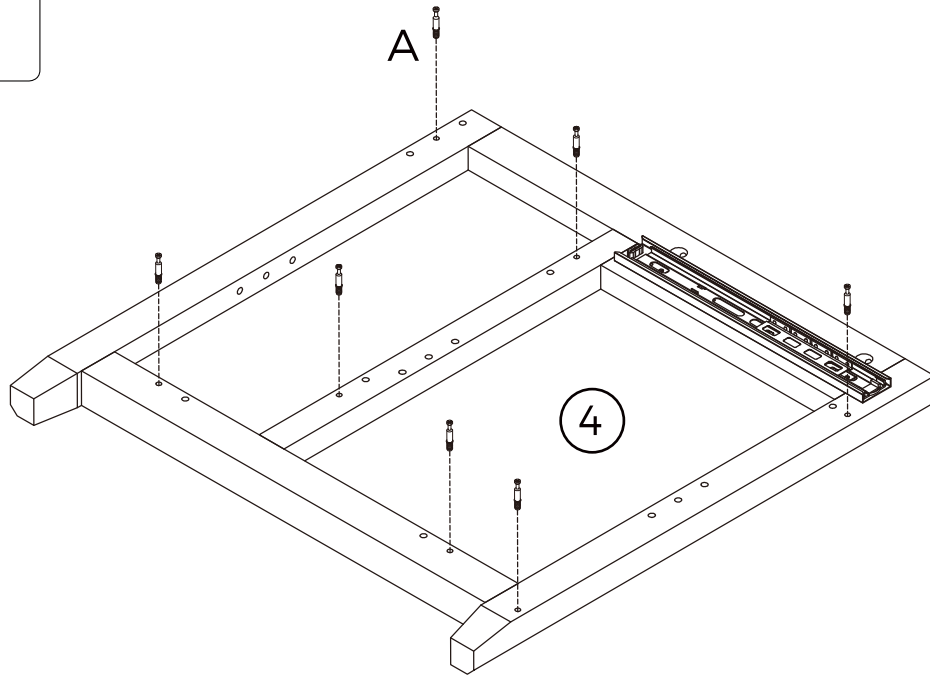
Assembly Instructions

CAUTION : Inappropriate installation of screws will cause damages to the product !

Step 7



A x 8 pcs



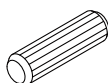
Assembly Instructions

CAUTION : Inappropriate installation of screws will cause damages to the product !

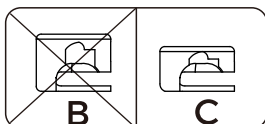
Step 8



C x 1pc

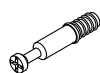
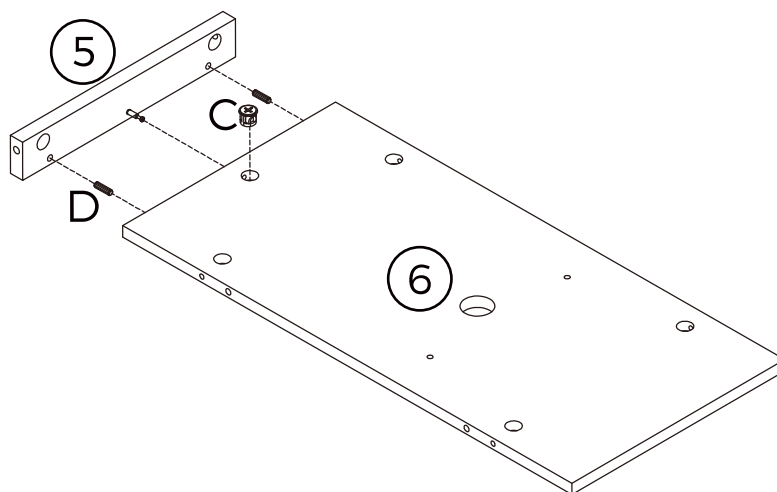


D x 2 pcs

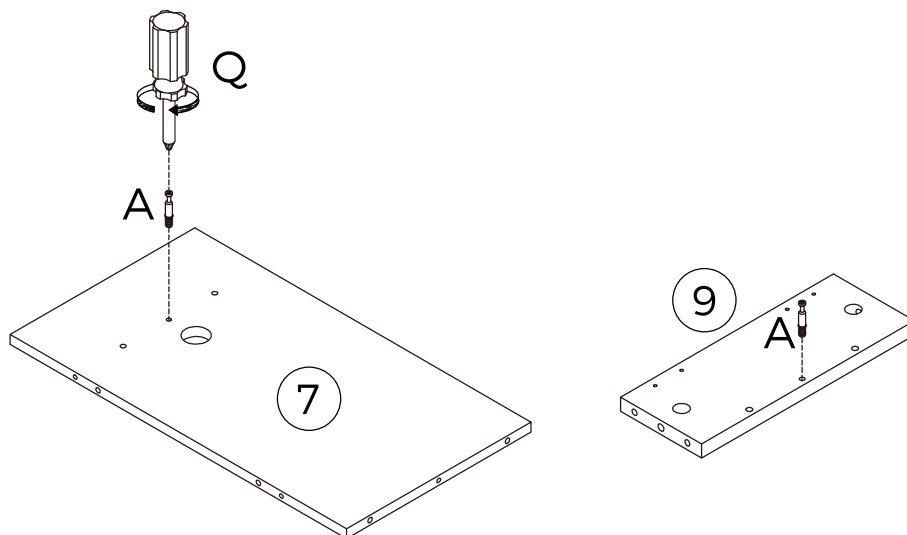


B

C



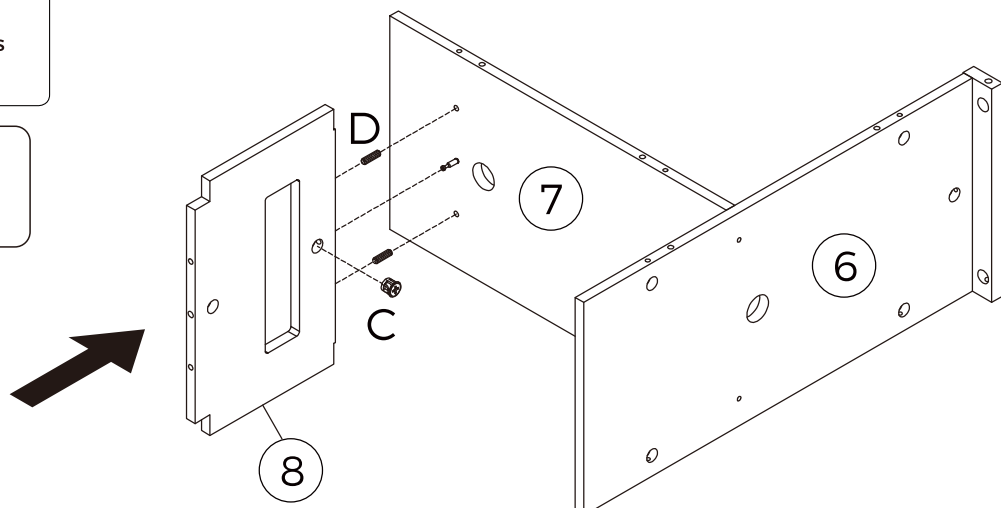
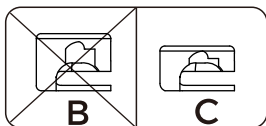
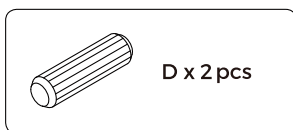
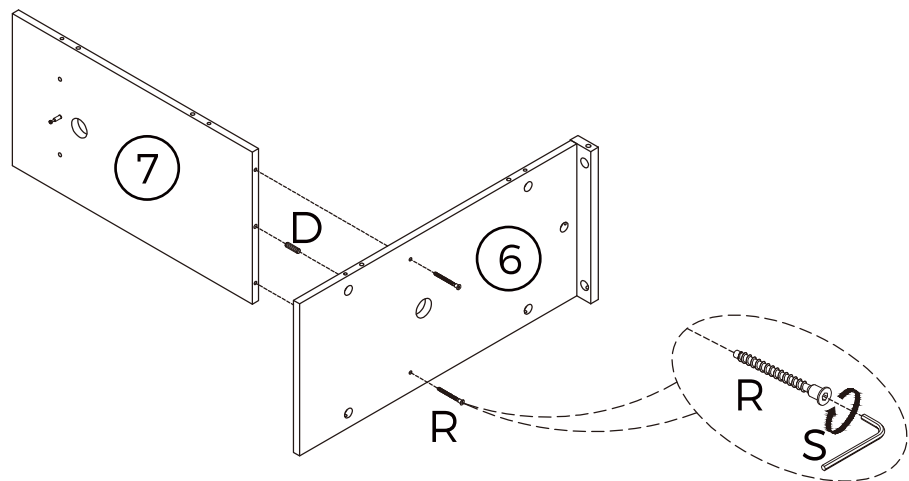
A x 2 pcs



Assembly Instructions

CAUTION : Inappropriate installation of screws will cause damages to the product !

Step 9



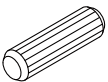
Assembly Instructions

CAUTION : Inappropriate installation of screws will cause damages to the product !

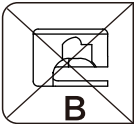
Step 10



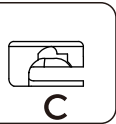
C x 1pc



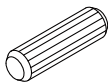
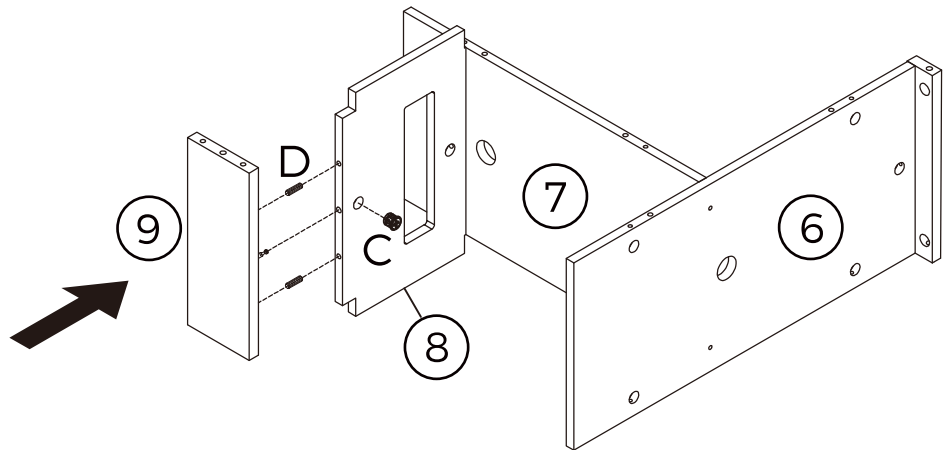
D x 2pcs



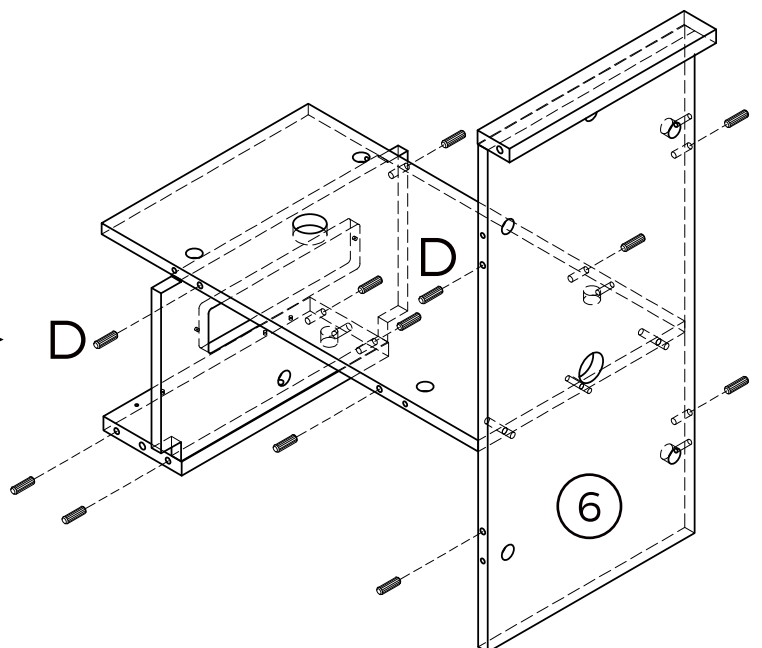
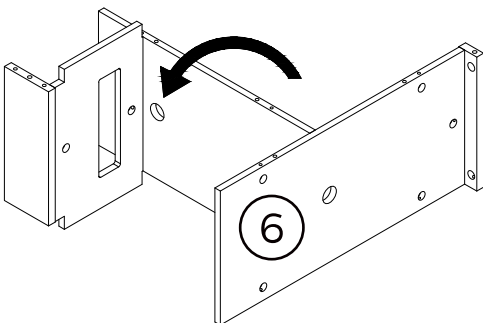
B



C



D x 12pcs



Assembly Instructions

CAUTION : Inappropriate installation of screws will cause damages to the product !

Step 12



B x 3 pcs



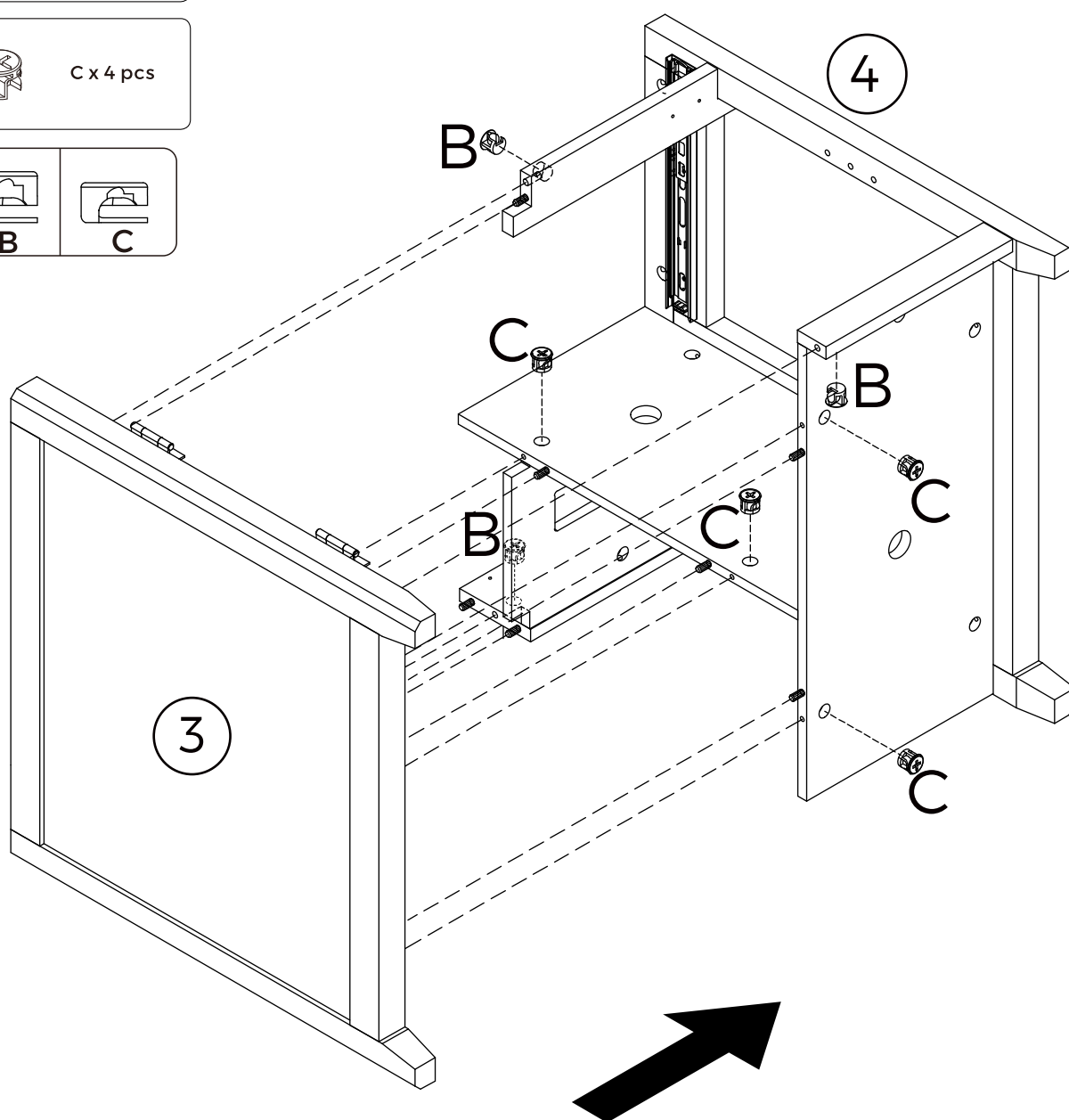
C x 4 pcs



B



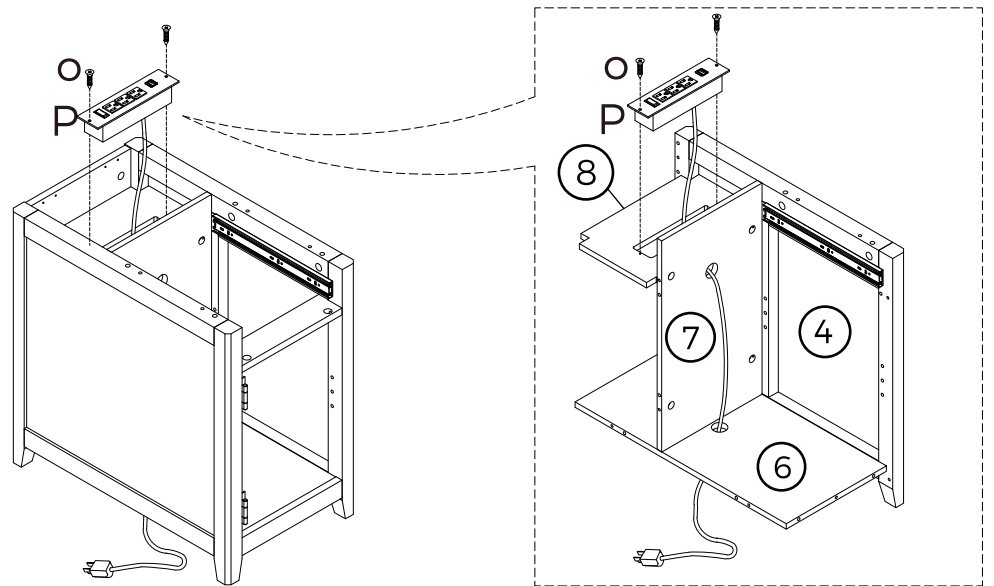
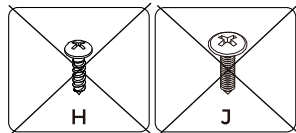
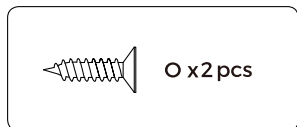
C



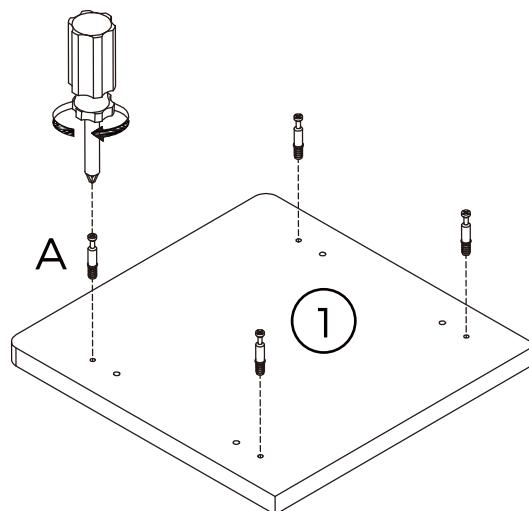
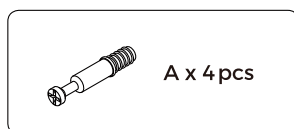
Assembly Instructions

CAUTION : Inappropriate installation of screws will cause damages to the product !

Step 13



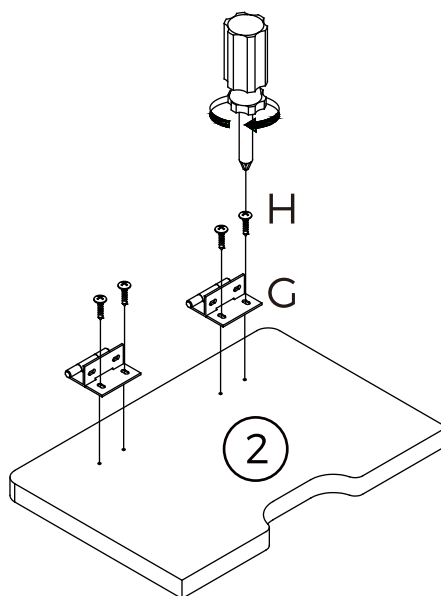
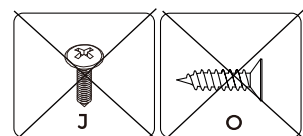
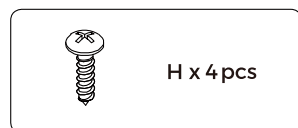
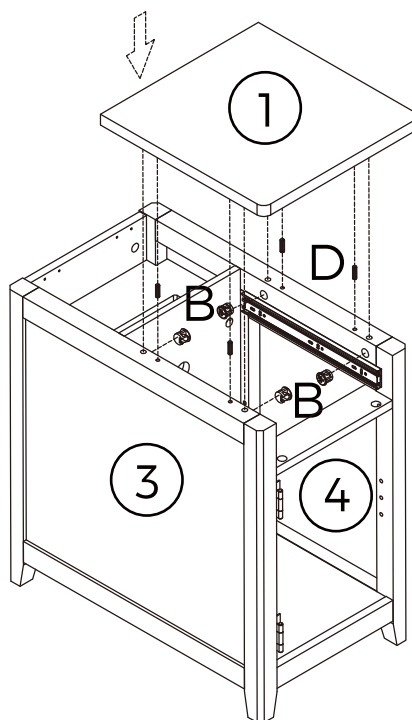
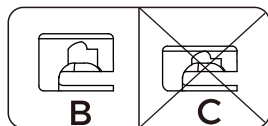
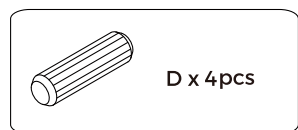
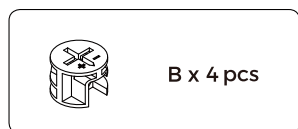
Installation diagram of socket



Assembly Instructions

CAUTION : Inappropriate installation of screws will cause damages to the product !

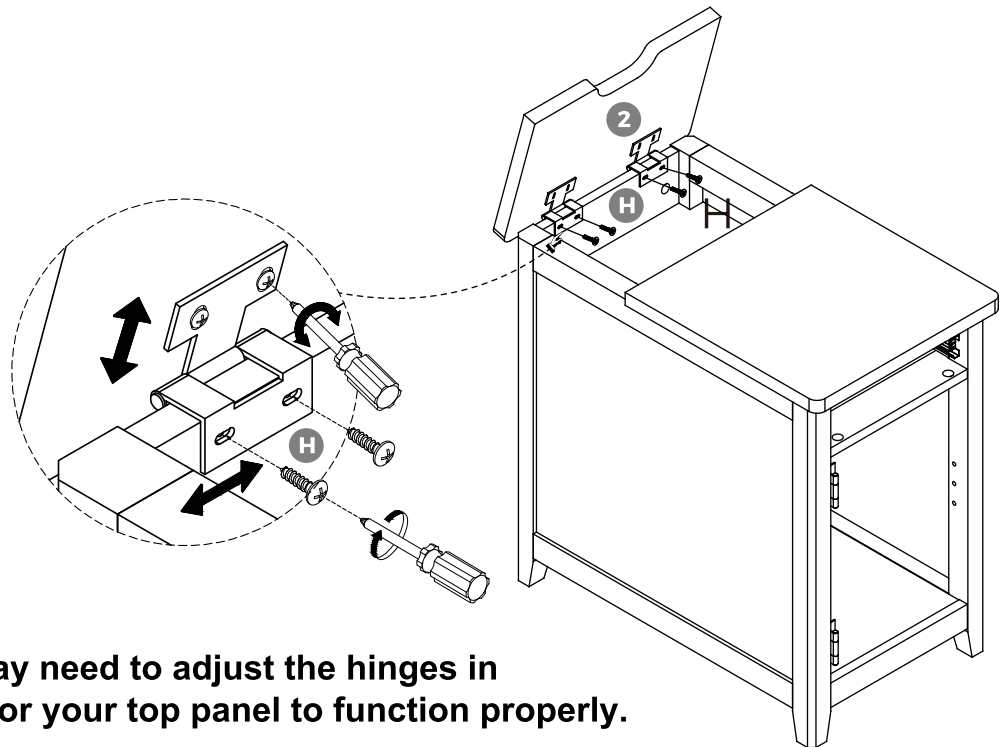
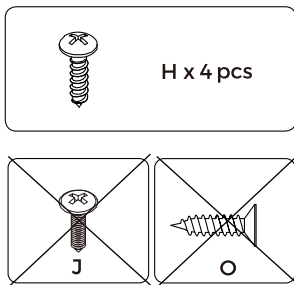
Step 14



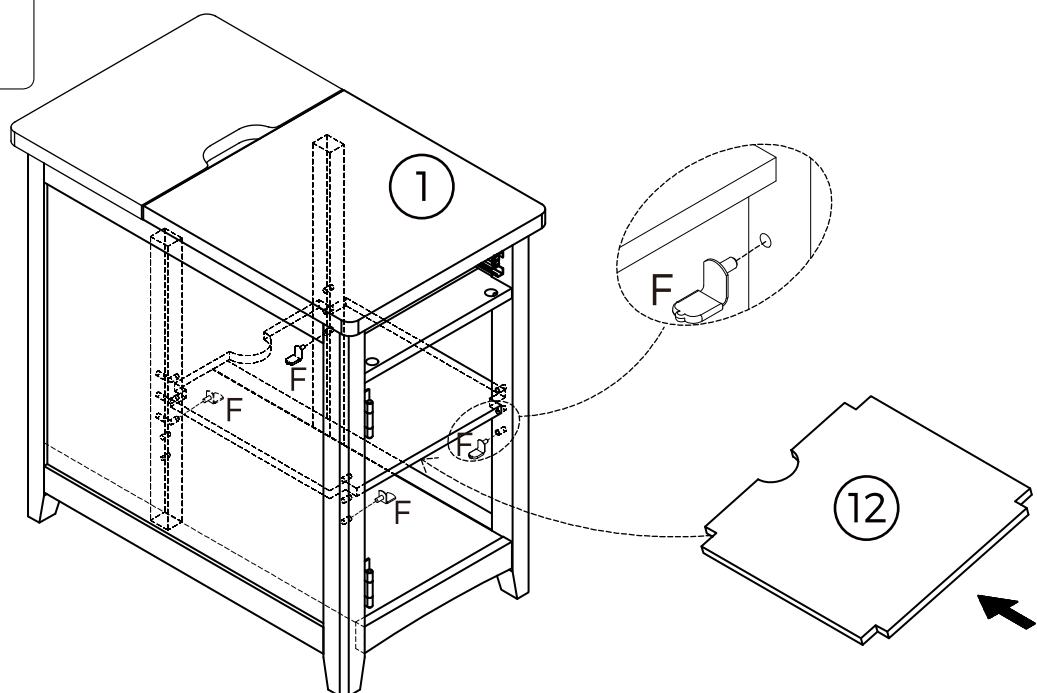
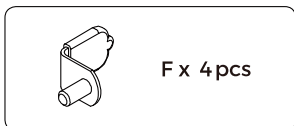
Assembly Instructions

CAUTION : Inappropriate installation of screws will cause damages to the product !

Step 15



NOTE:
you may need to adjust the hinges in order for your top panel to function properly.



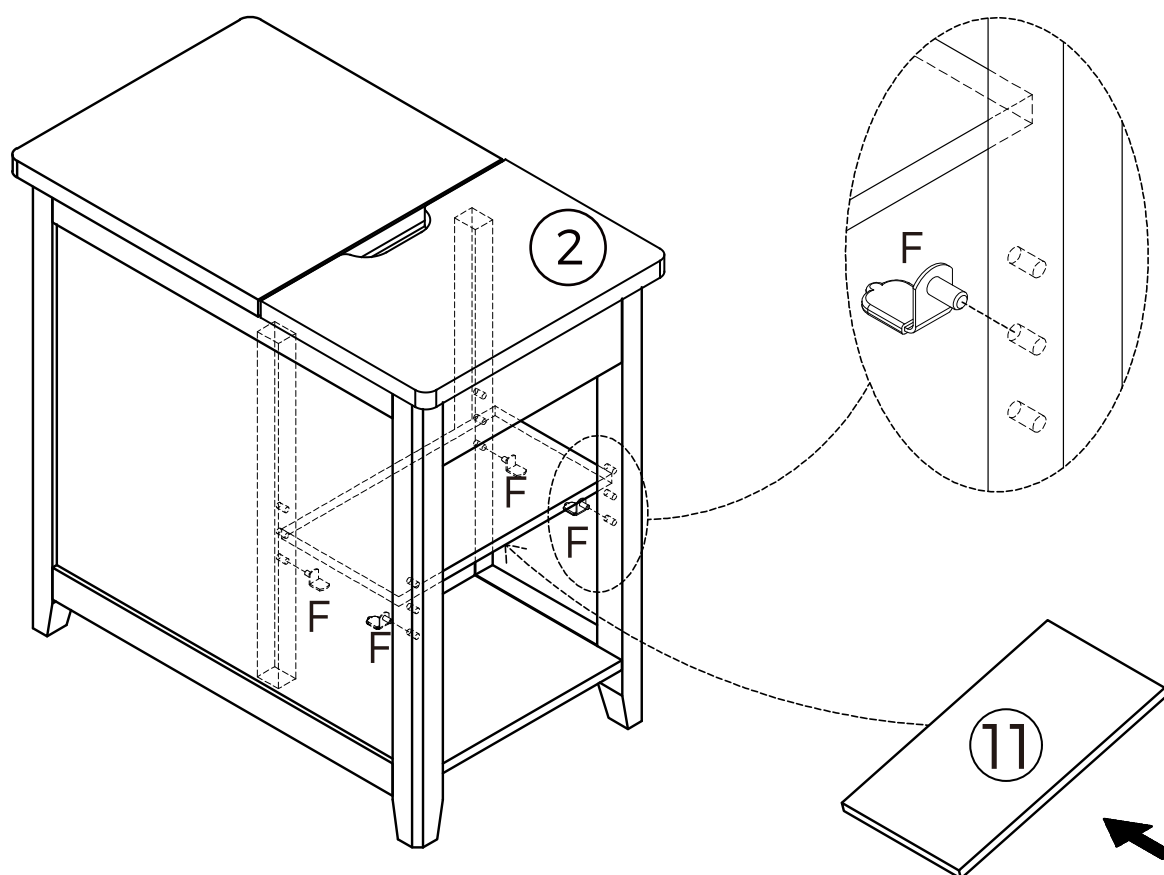
Assembly Instructions

CAUTION : Inappropriate installation of screws will cause damages to the product !

Step 16



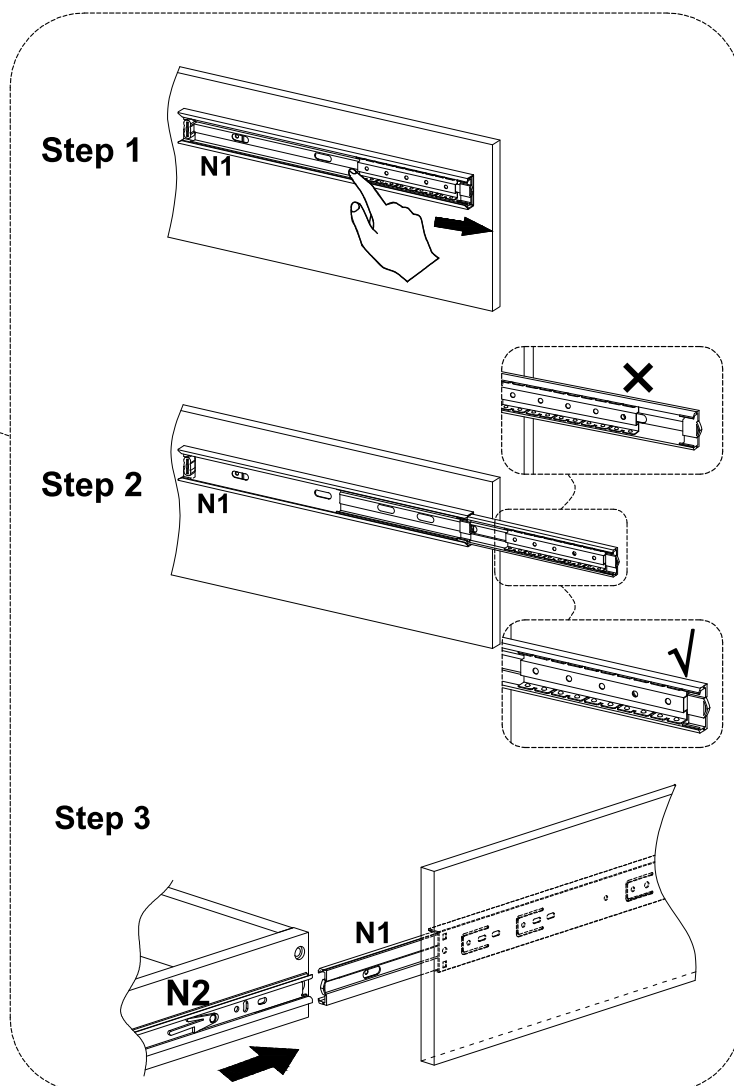
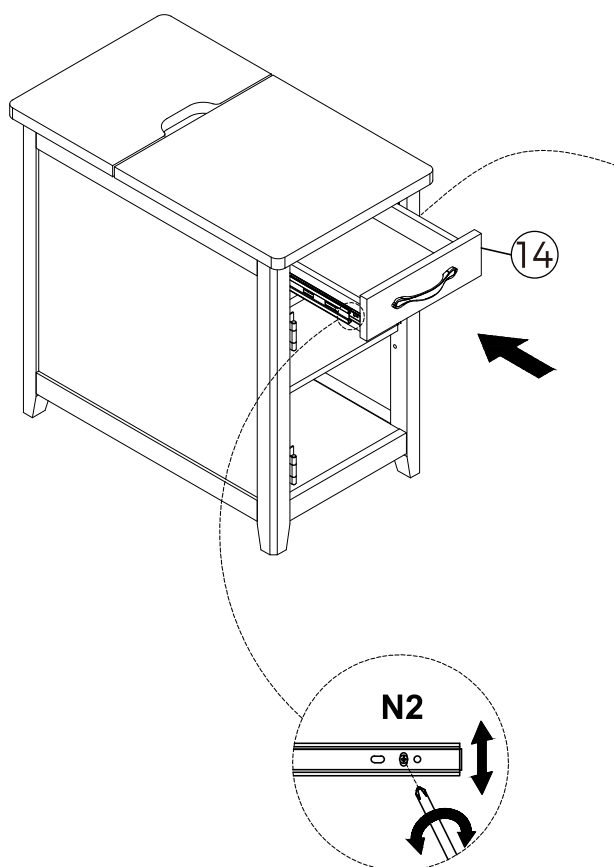
F x 4 pcs



Assembly Instructions

CAUTION : Inappropriate installation of screws will cause damages to the product !

Step 17

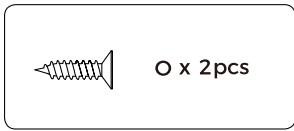
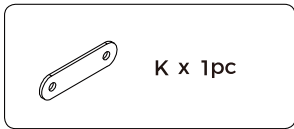
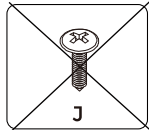
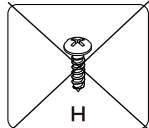
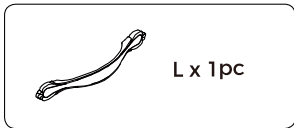


After installing the part of "N", the drawer slide, you may need to adjust the screw in order for the drawer to function properly.

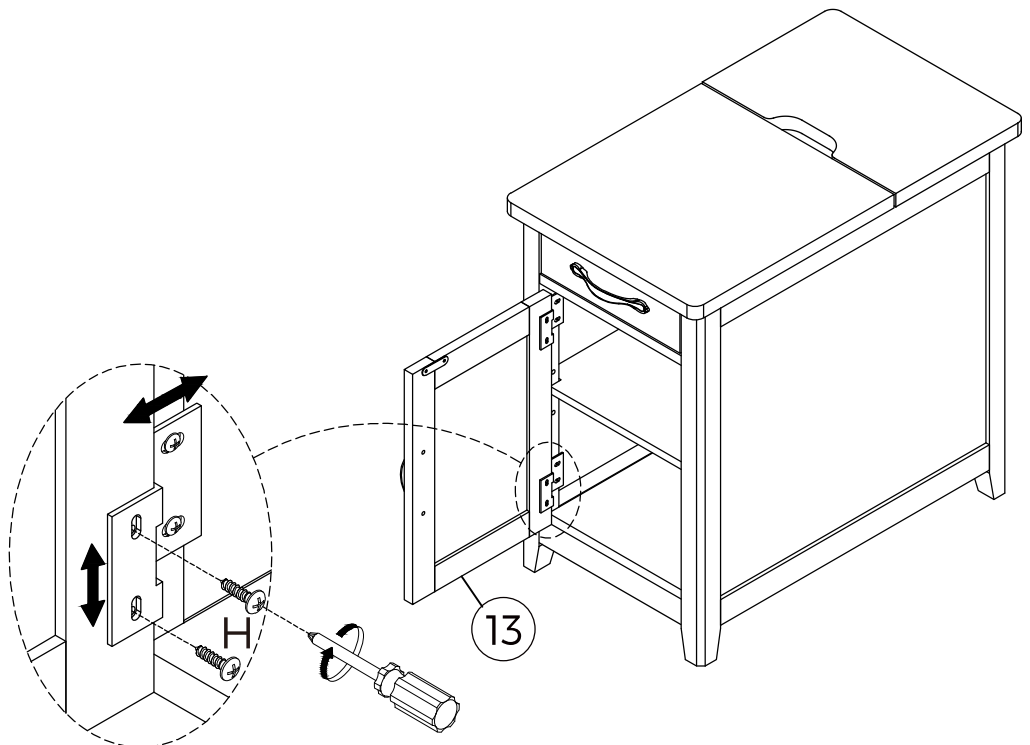
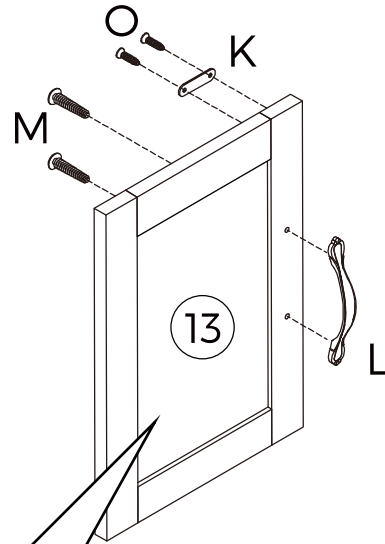
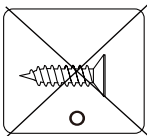
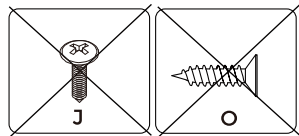
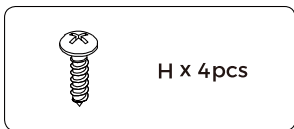
Assembly Instructions

CAUTION : Inappropriate installation of screws will cause damages to the product !

Step 18



i Please mind that if you have purchased a glass door style, then this will be a glass door. Please handle it with care to avoid damaging the glass.

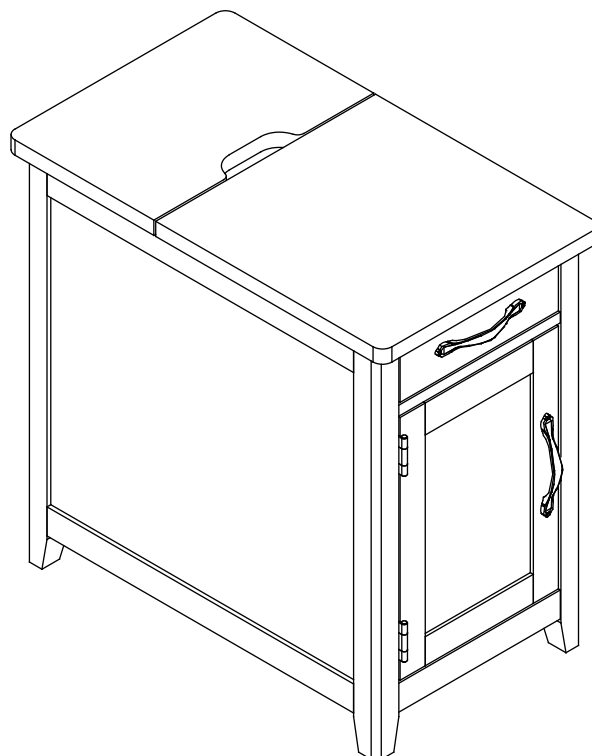
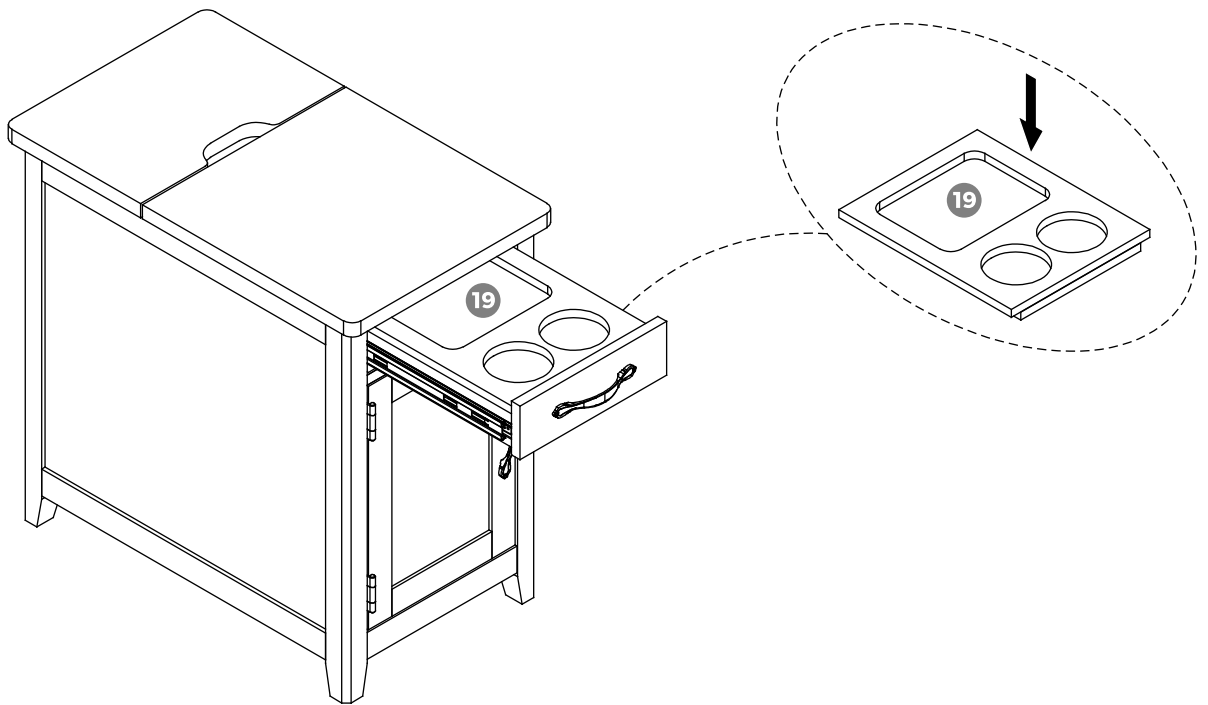


NOTE:
you may need to adjust the hinges in order for your door to function properly.

Assembly Instructions

CAUTION : Inappropriate installation of screws will cause damages to the product !

Step 19



Now, you have finished the installation of this end table.