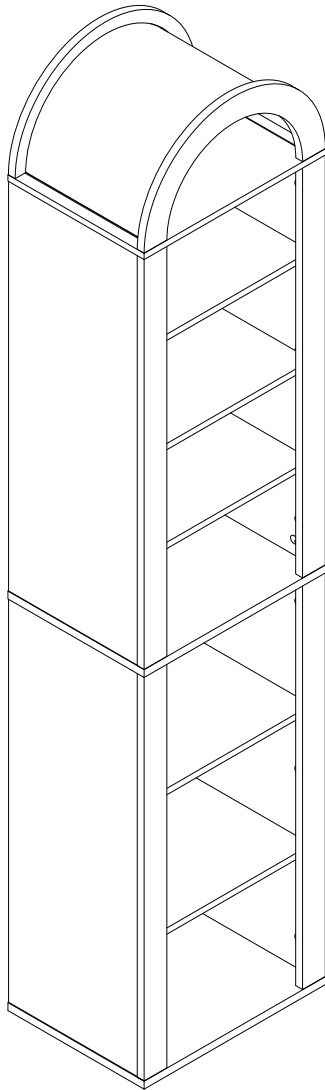


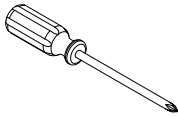
Installation Instruction



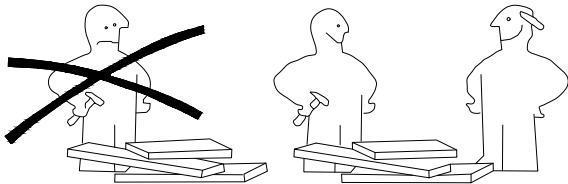
Assembling

What you need

- Use the packaging carton as a working surface to prevent product damage during assembly
- Phillips head screwdriver



Weight Limitation

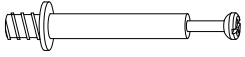


What' included

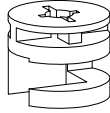
Code	Description	Qty
A	Cam Bolt M6X35MM	38
B	Cam Lock 15X9MM	38
C	Wooden Dowel M6X30MM	24
D	Screw M4X40MM	10
E	The screw M3X12MM	12
F	Self-adhesive hole sticker	38
G	The back button	12
H	EVA Foot mat	4
I	Anchor	2
J	Metal connector	2
K	Screw M4X25MM	4
L	Shelf Holder	8
M	The Screw M4X12MM	2

The Hardwares

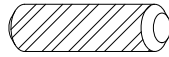
A



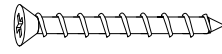
B



C



D



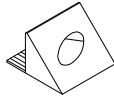
E



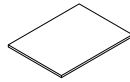
F



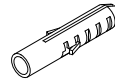
G



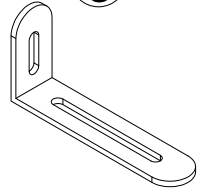
H



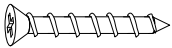
I



J



K



L



M



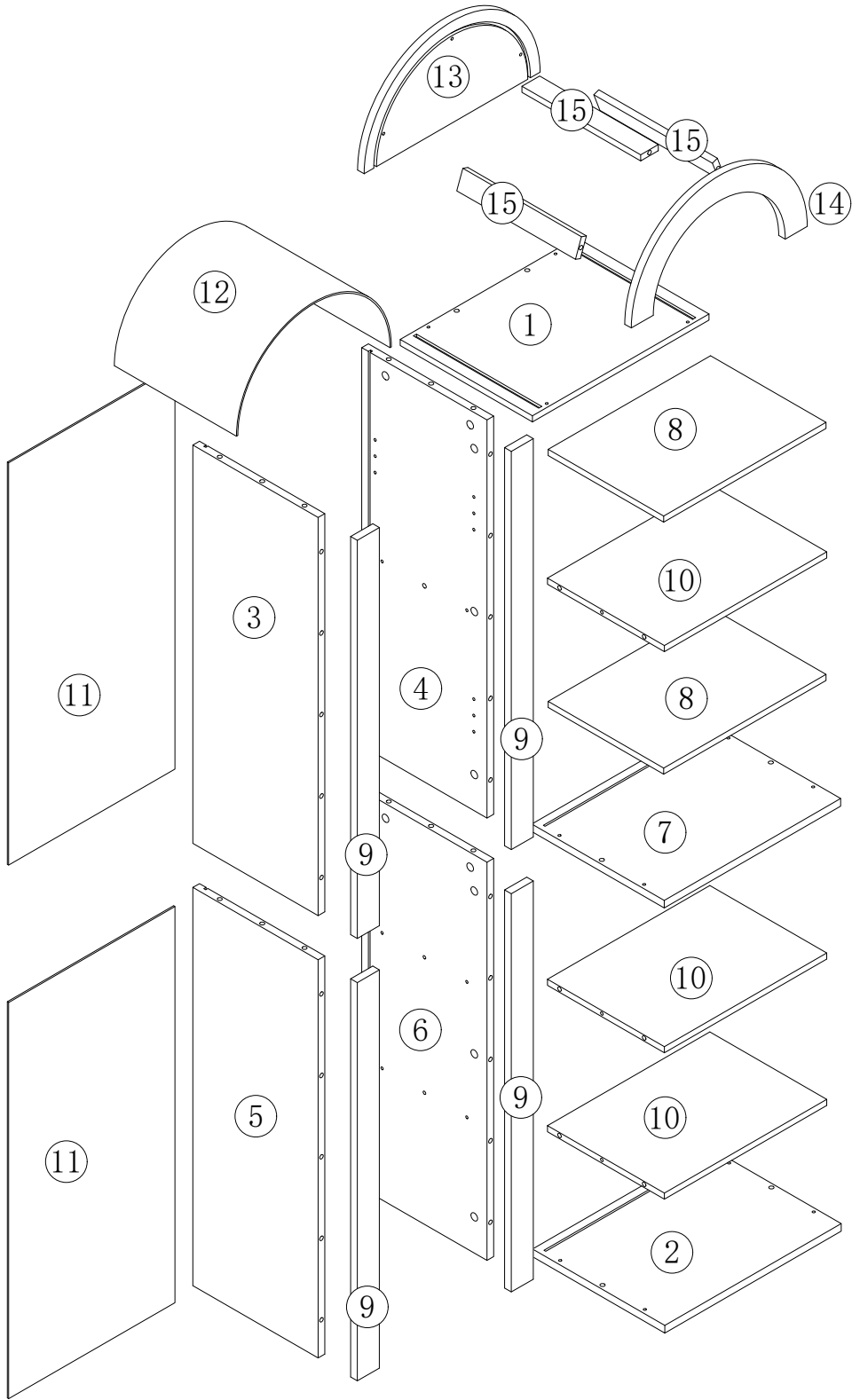
IMPORTANT:

1. Do not tighten bolts / screws completely until all bolts / screws are lined up and inserted into holes.
2. Do not over tighten screws and bolts to avoid stripping
3. Please use hand tools to assemble this product, you can also use power tools (please use power tools carefully)

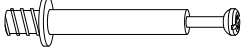

Included Accessories

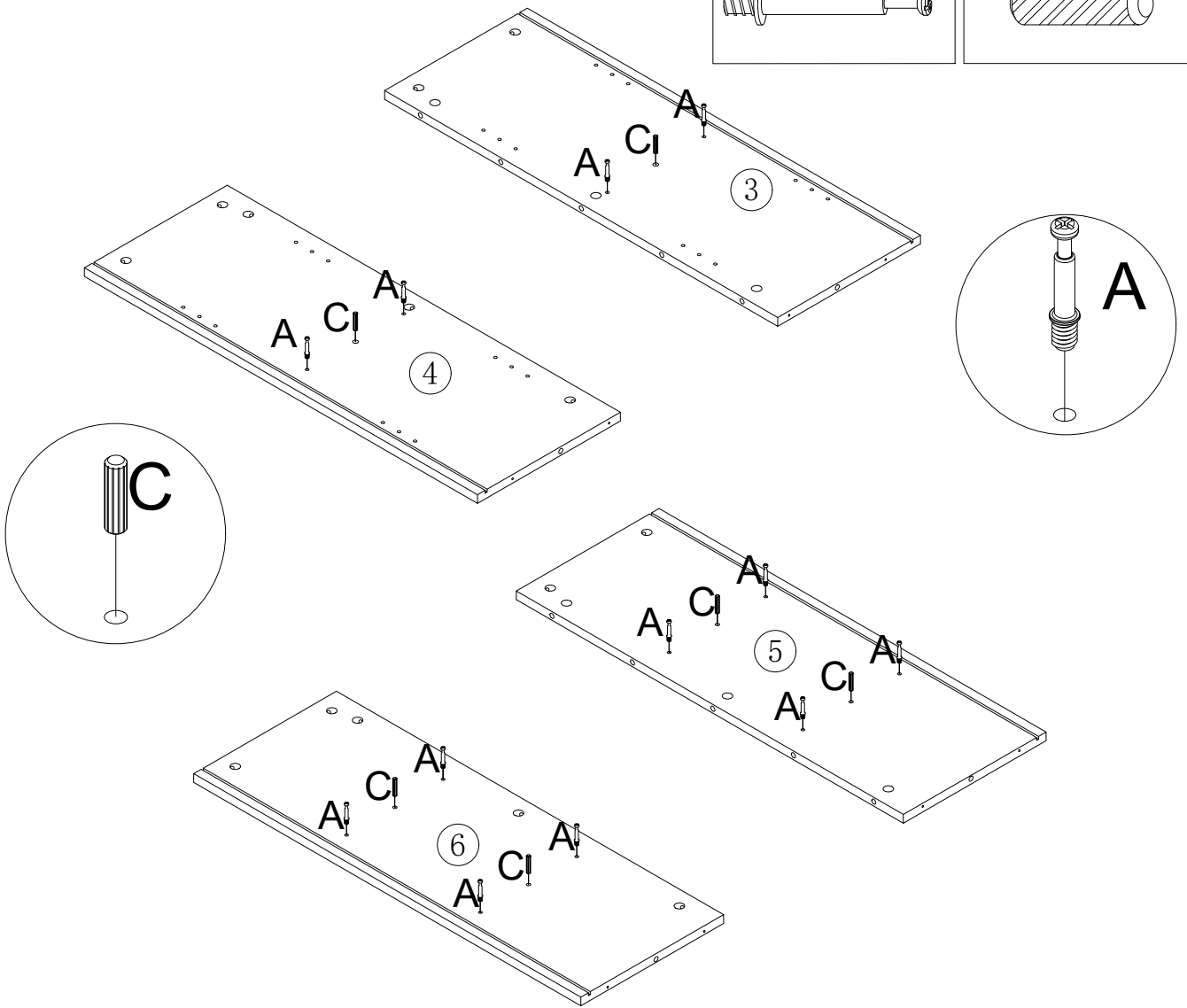
Code	Description	Qty
1	Cabinet Top	1
2	Bottom Panel	1
3	Left Side Panel	1
4	Right Side Panel	1
5	Left Lower Side Panel	1
6	Right Lower Side Panel	1
7	Median laminate	1
8	Movable laminate	2
9	Trim panel	4
10	Fixed layer plate	3
11	Back plane	2
12	Top plate	1
13	Postnotum	1
14	Front apron	1
15	Reinforcing plate	3

The Accessoriess

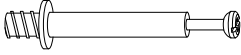
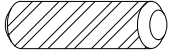


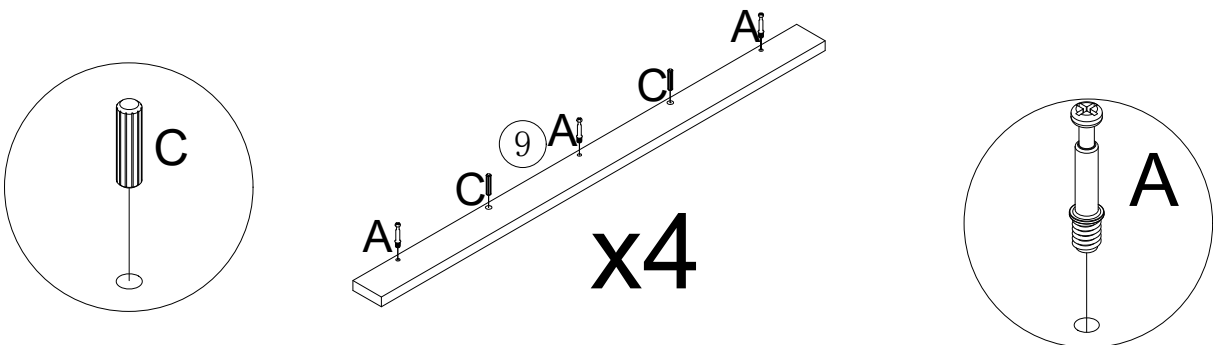
Step 1

A	×12	C	×6
			

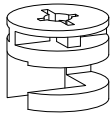



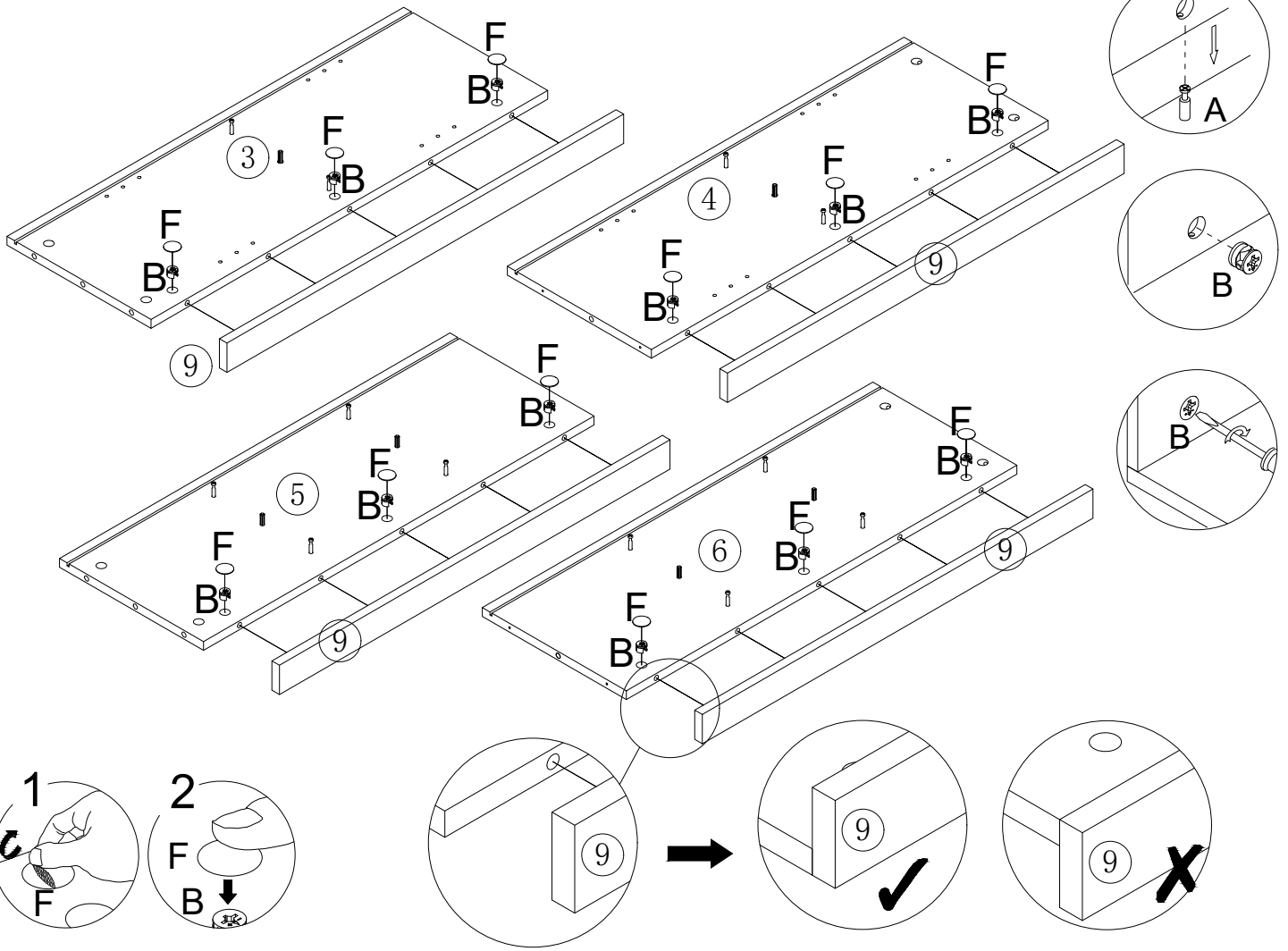
Step 2

A	×12	C	×8
			

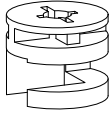



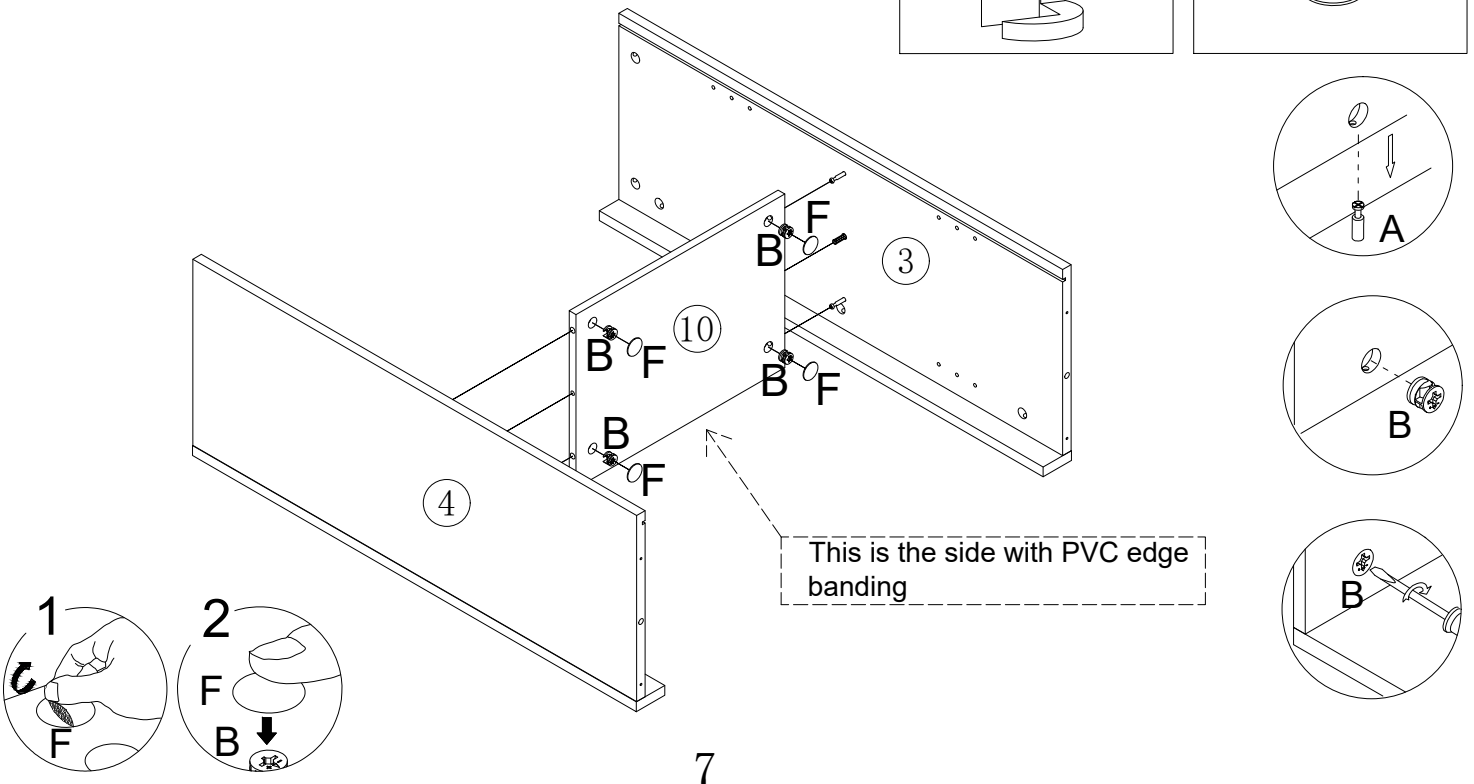
Step 3

B	×12	F	×12
			

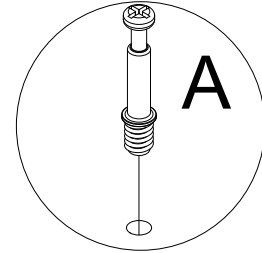
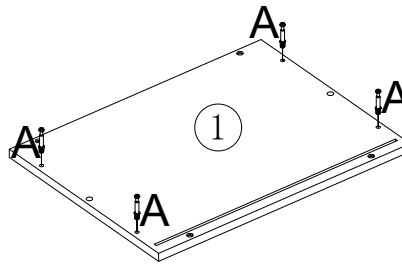
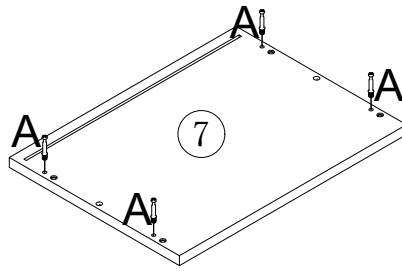
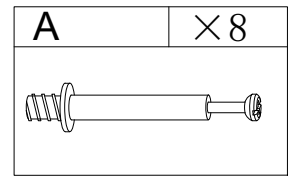


Step 4

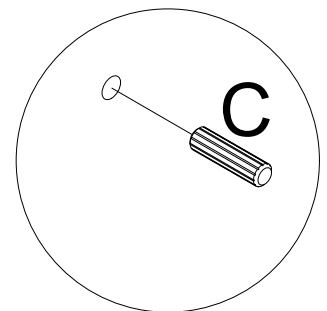
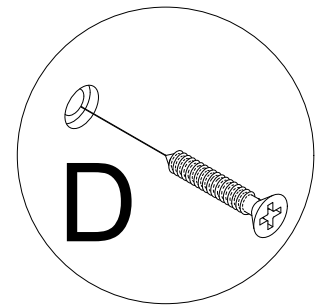
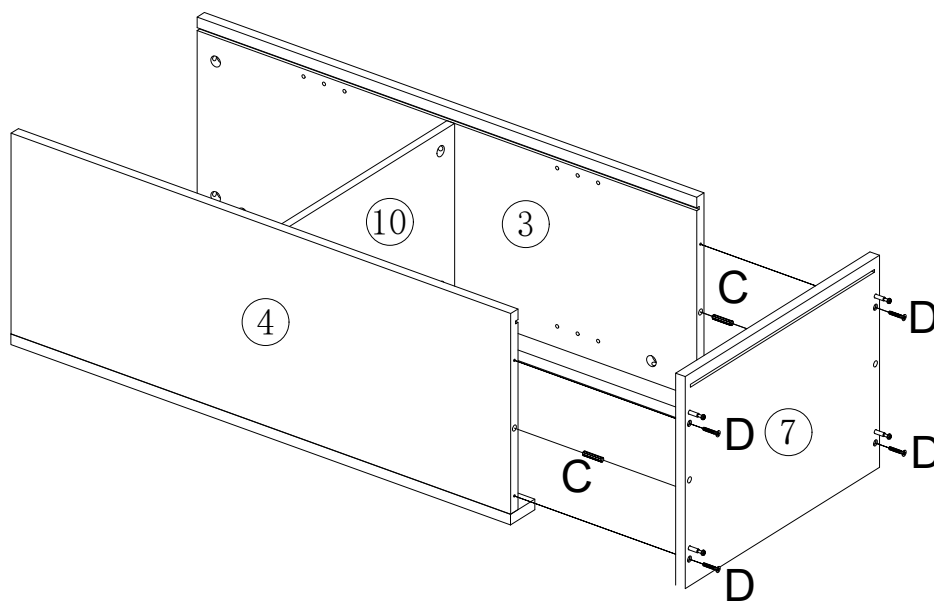
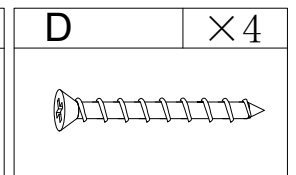
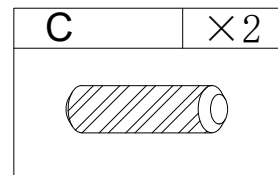
B	×4	F	×4
			



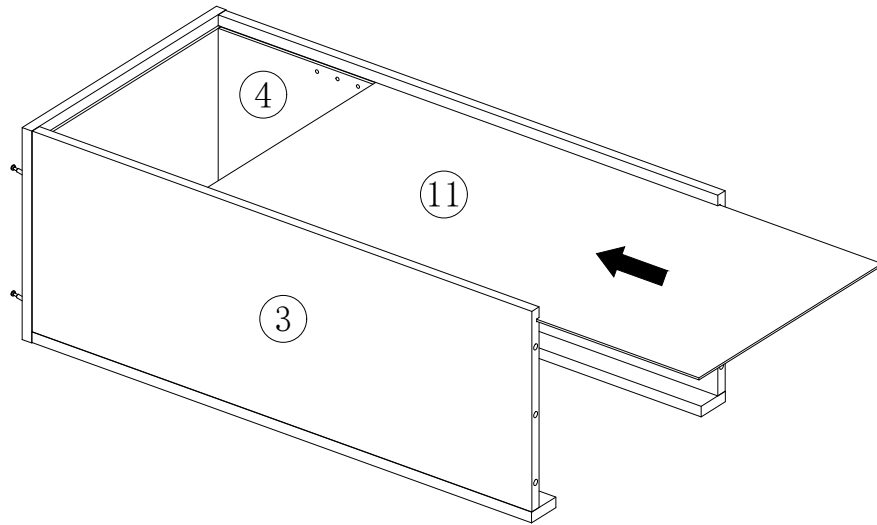
Step 5



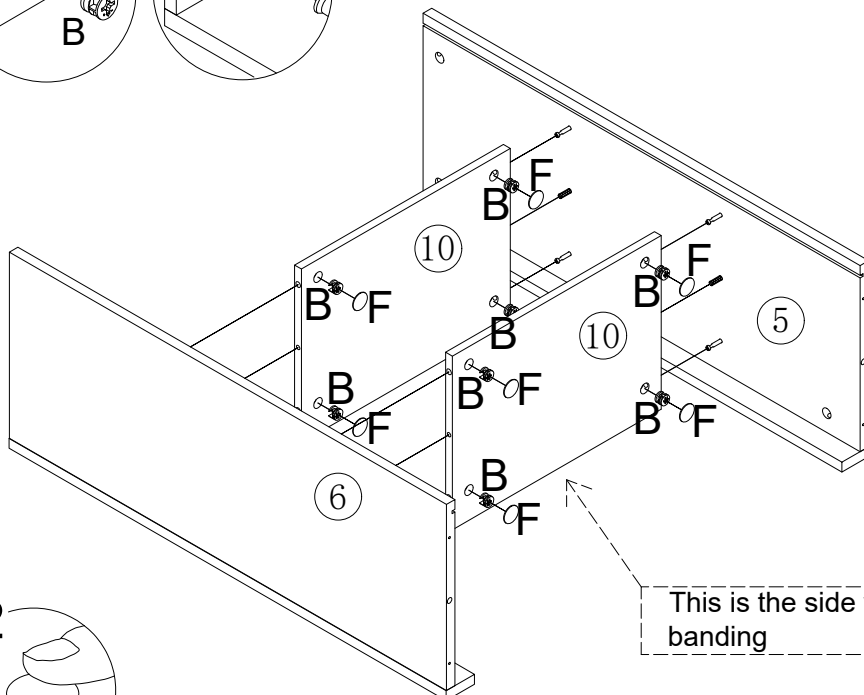
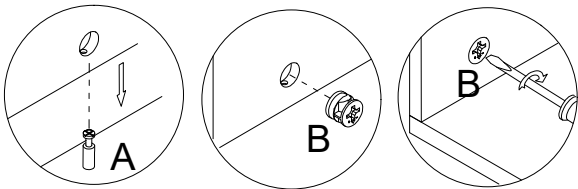
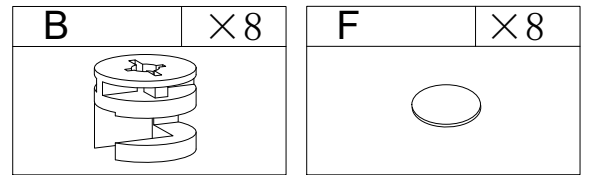
Step 6



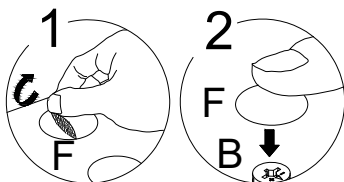
Step 7




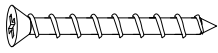
Step 8

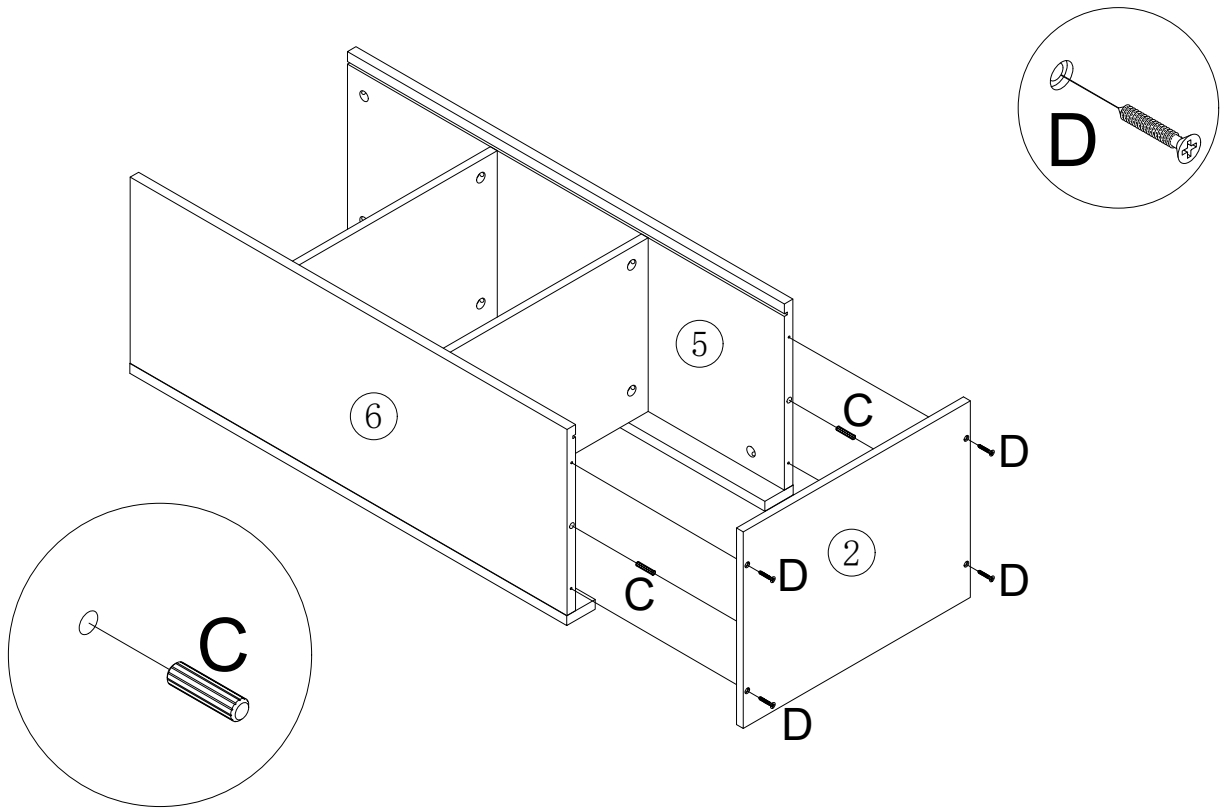


This is the side with PVC edge banding

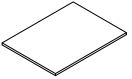


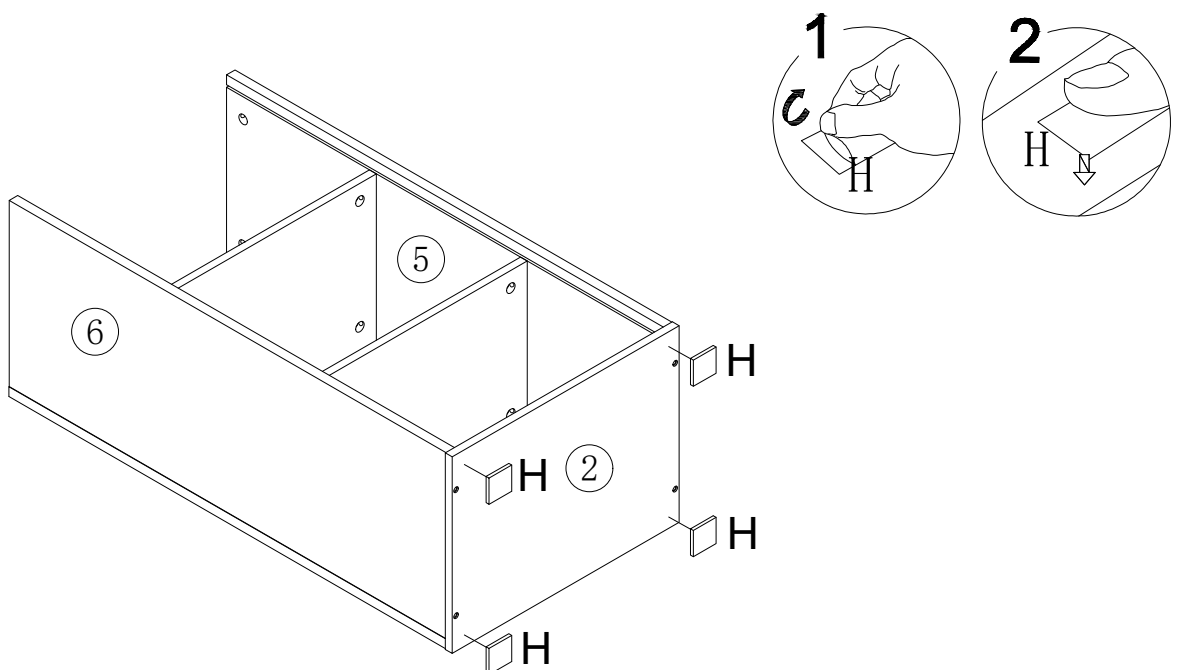
Step 9

C	×2	D	×4
			

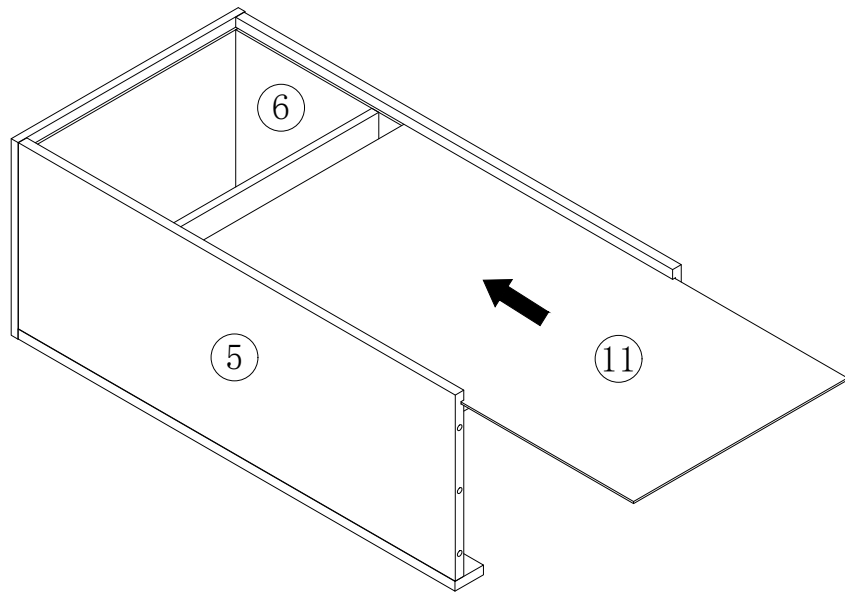


Step 10

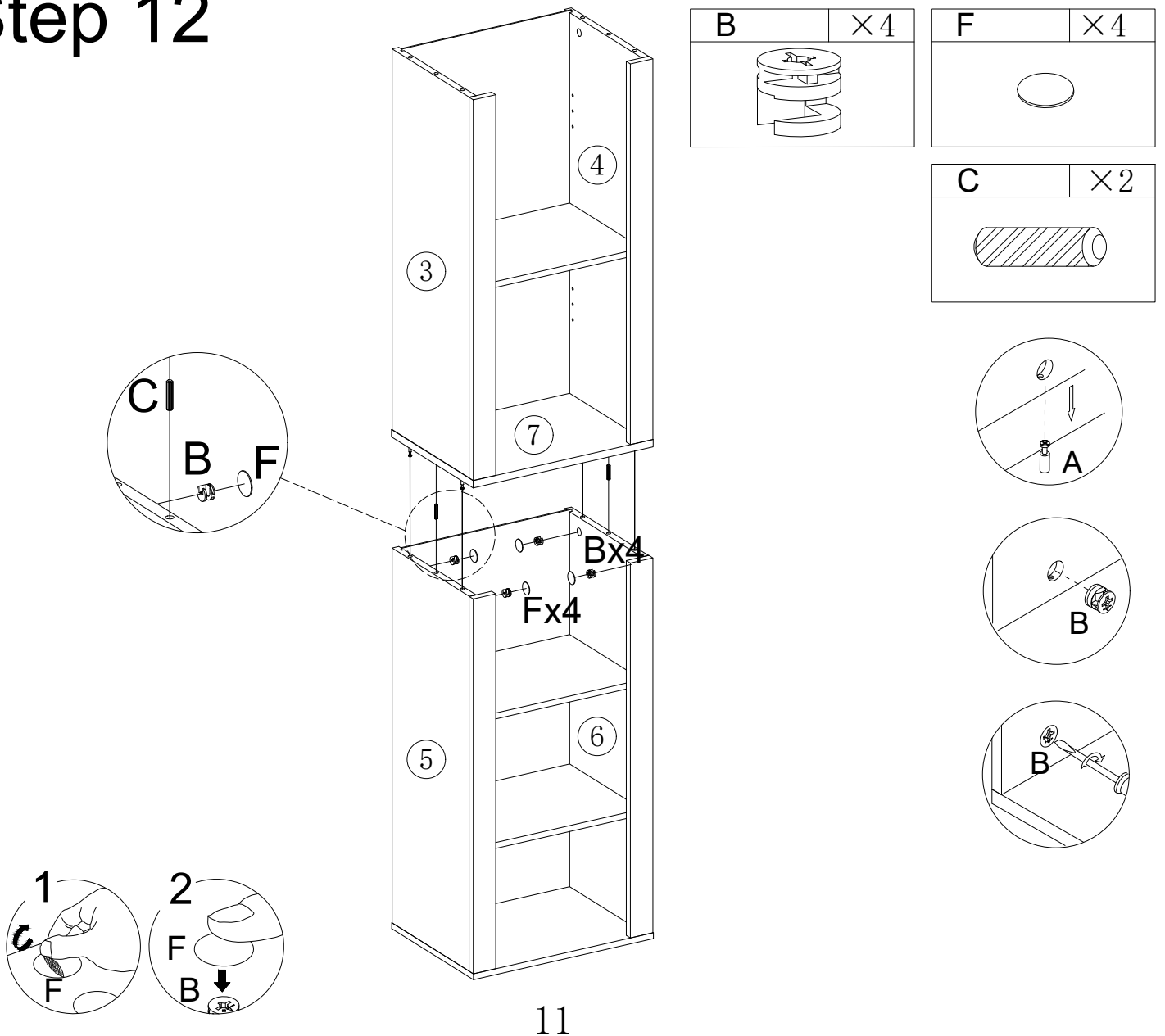
H	×4
	



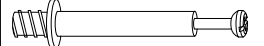
Step 11

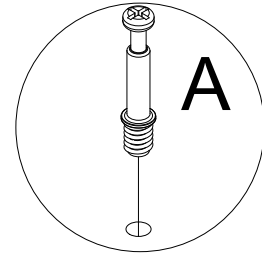
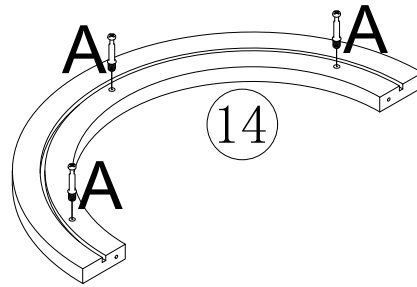
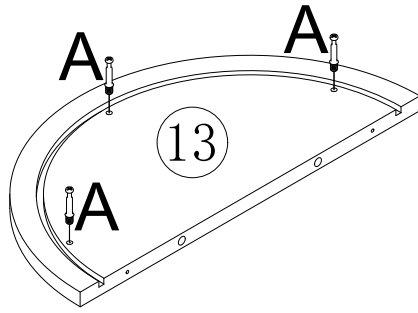


Step 12

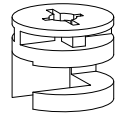



Step 13

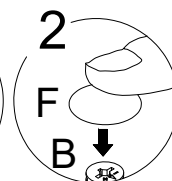
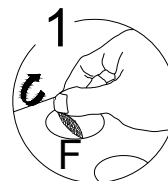
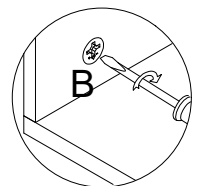
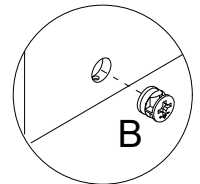
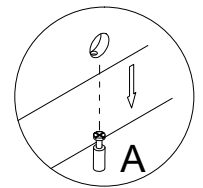
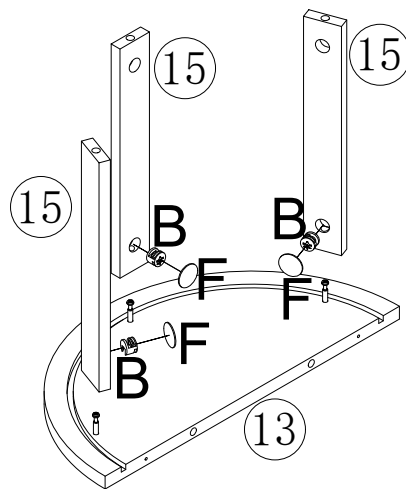
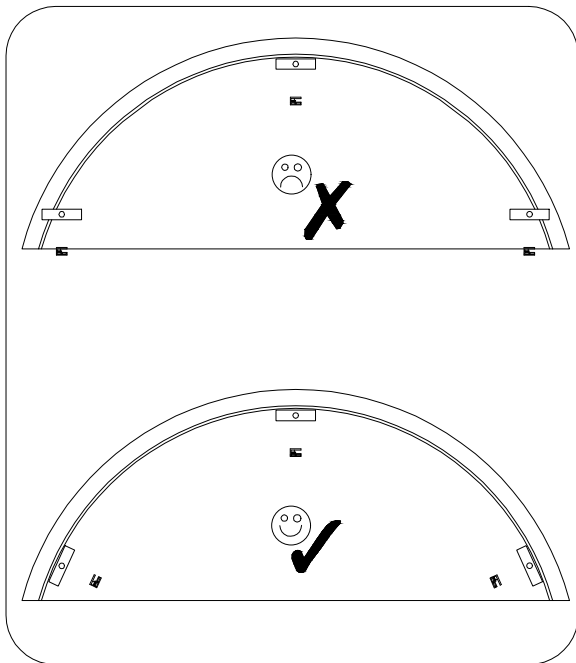
A	×6
	



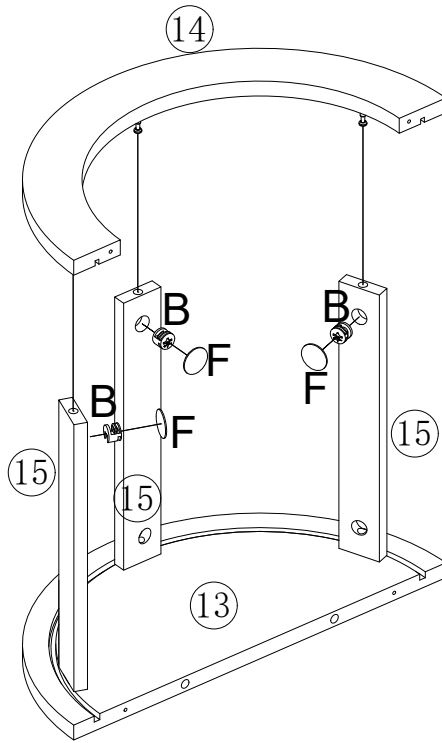
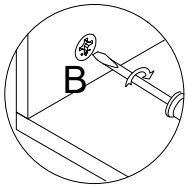
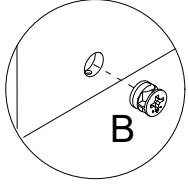
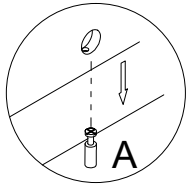
Step 14

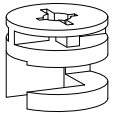
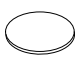
B	×3
	

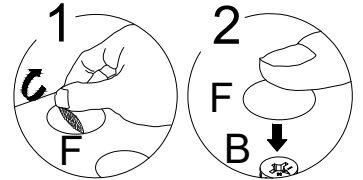
F	×3
	



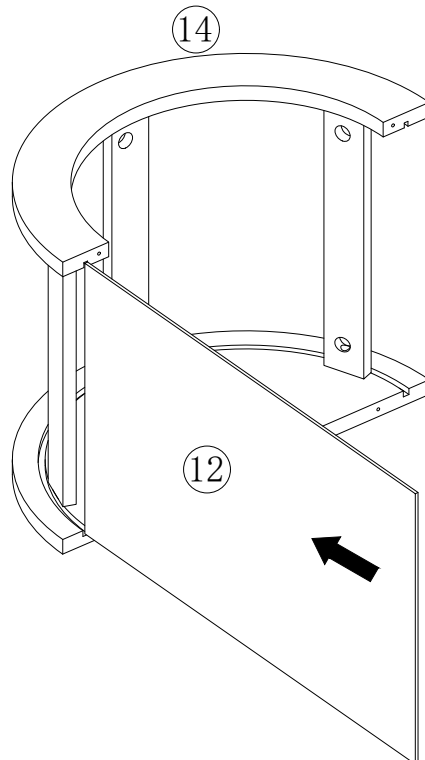
Step 15



B	×3	F	×3
			



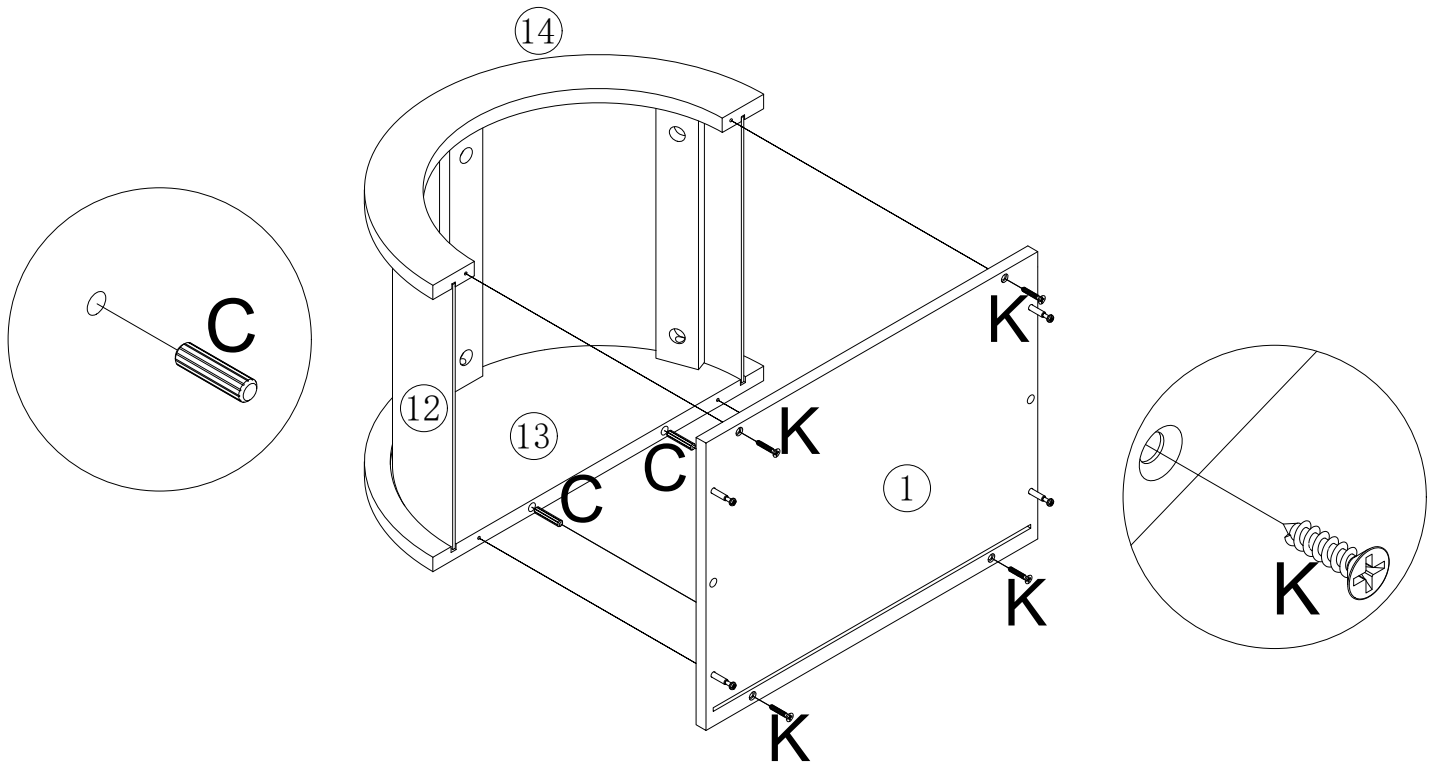
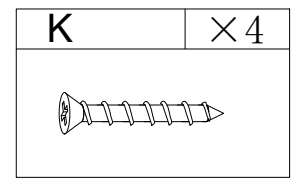
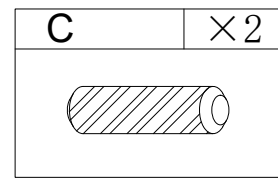
Step 16



It takes two people to install it and make sure the plate 12 is in the slot.

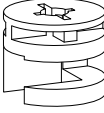

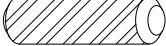


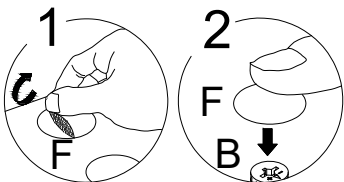
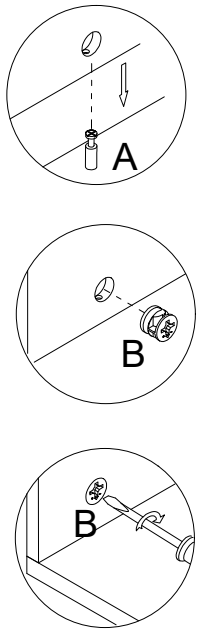
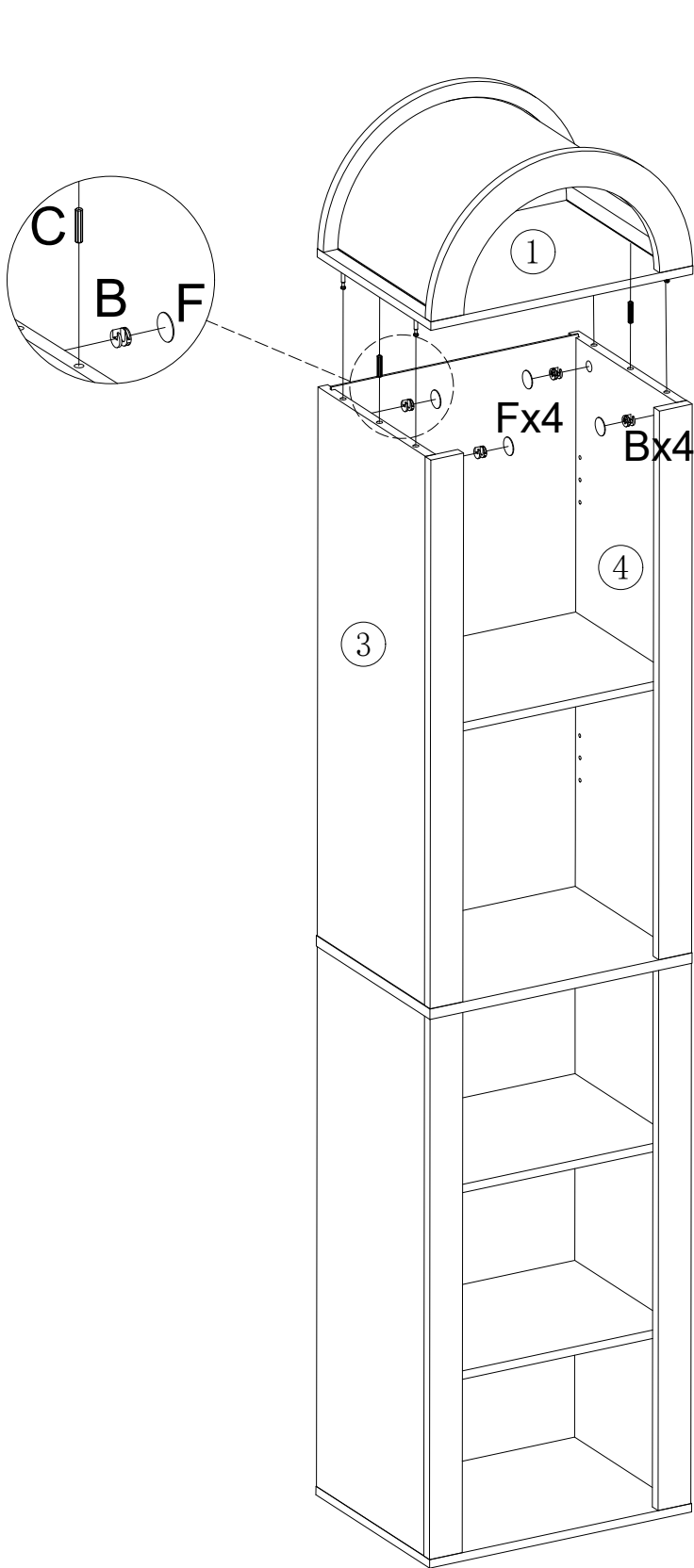
Step 17




When installing No.1, make sure that the No.12 plate is in the slot of No.13 and No.1

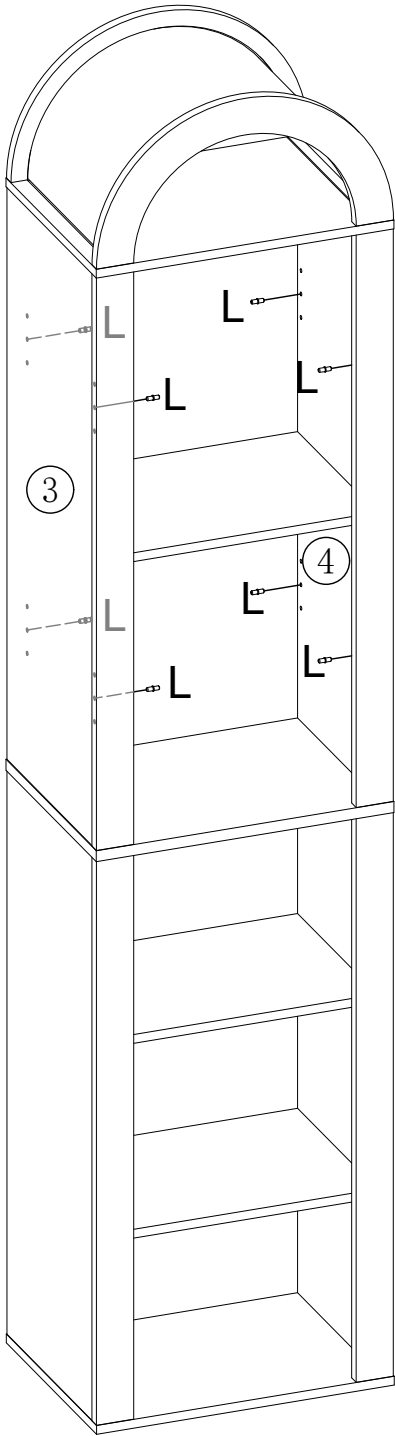
Step 18

B	×4	F	×4	C	×2
					

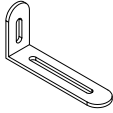
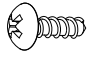


Step 19

L	×8
	

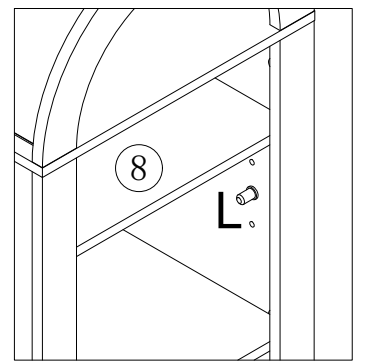
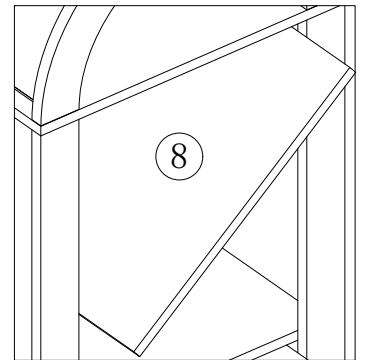
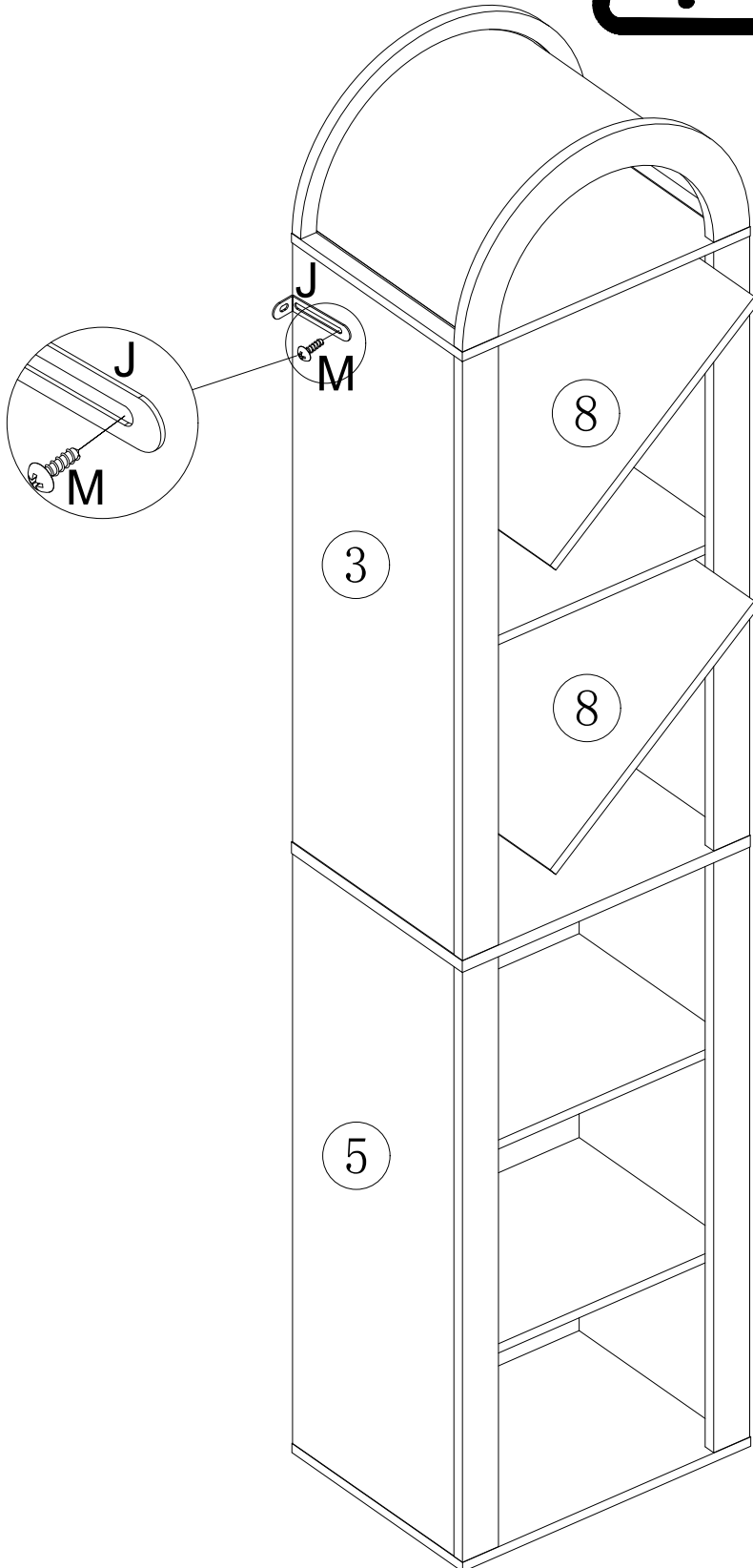


Step 20

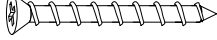

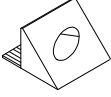
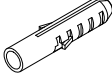
J	×2	M	×2
			

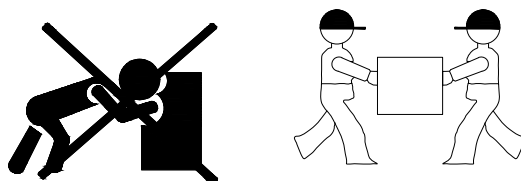
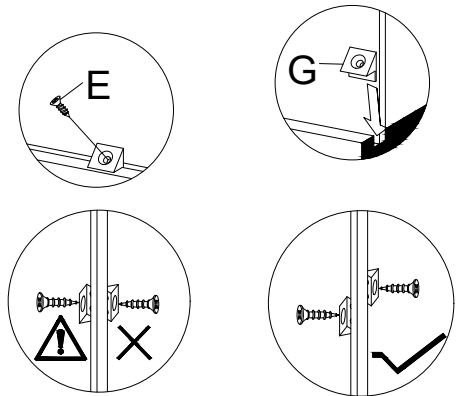
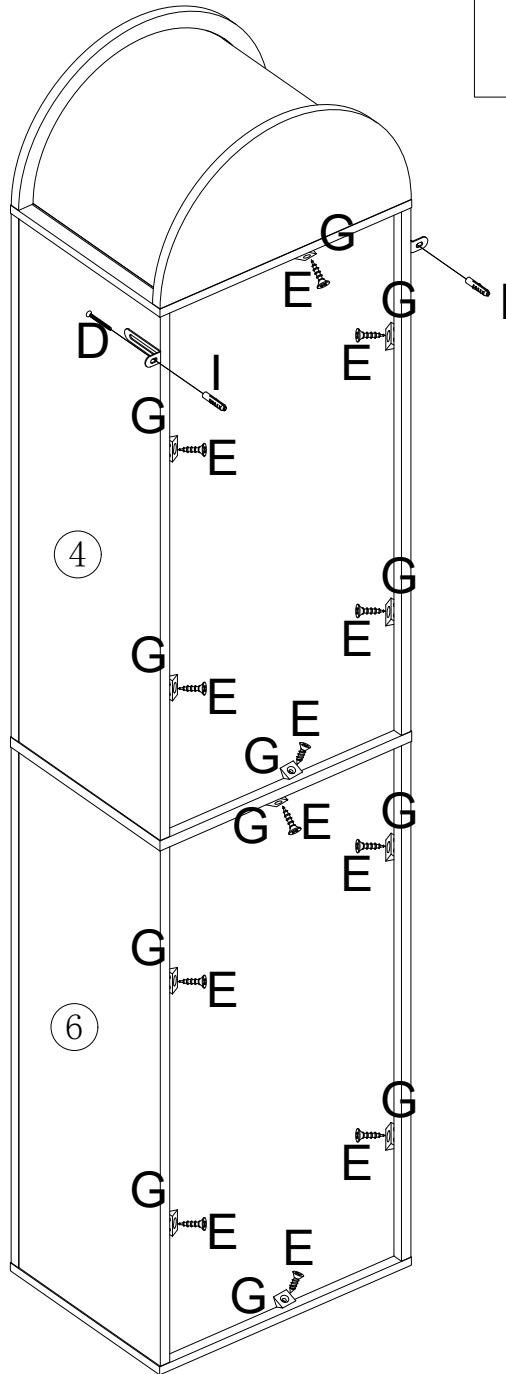
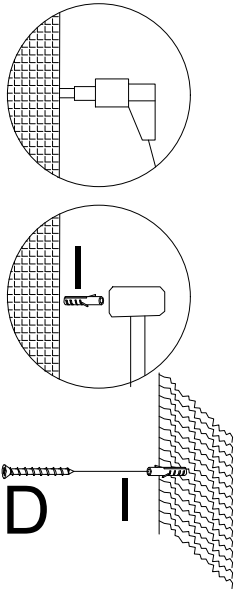


Tilt the plate 8 into the cabinet, and then move the plate 8 up to place on L.



Step 19

D	×2	E	×12
			
G	×12		
			
I	×2		
			



Two people work together to move the table. Make sure you lift it off the ground. Don't push and pull.