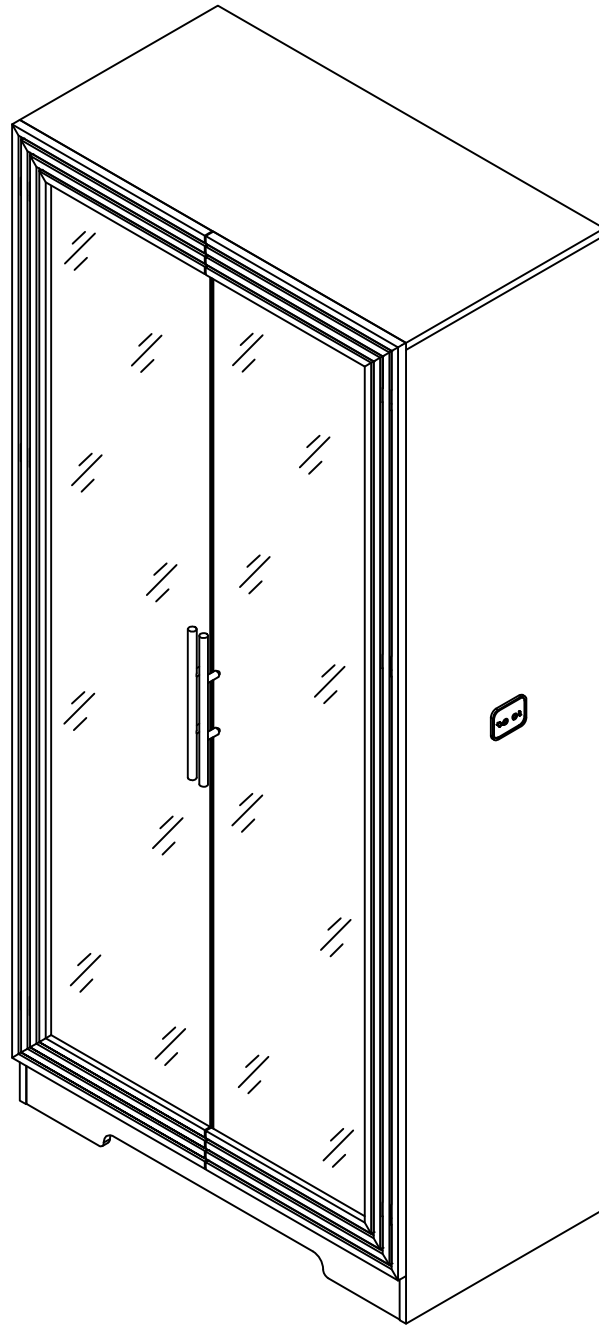
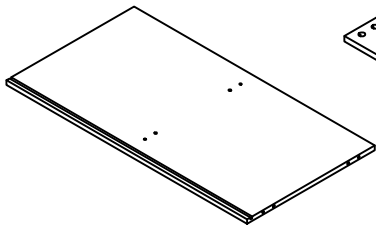
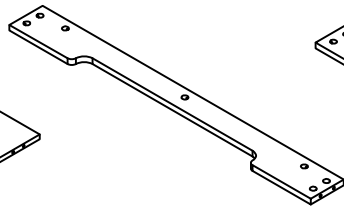


# Product Installation Instructions

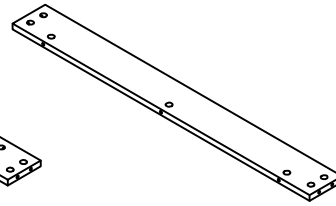




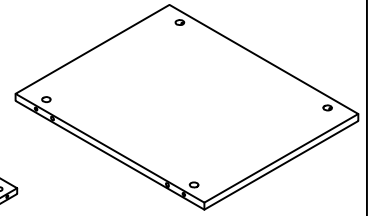
A x1



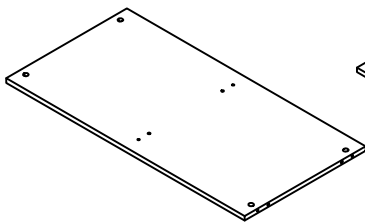
B x1



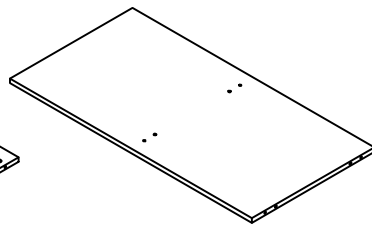
C x1



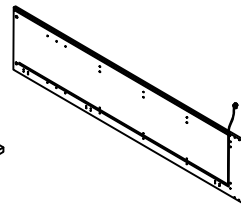
D x2



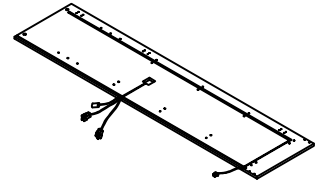
E x2



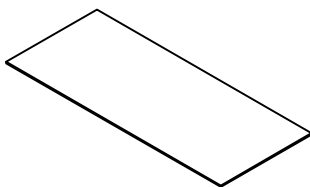
F x1



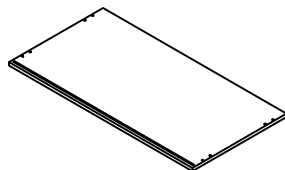
G x1



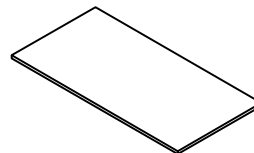
H x1



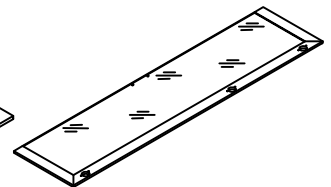
I x3



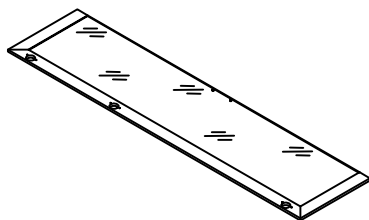
J x1



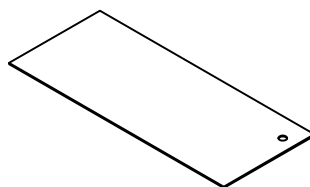
K x1



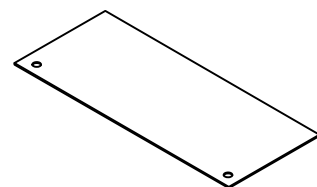
L x1



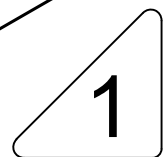
M x1



N x1



O x1

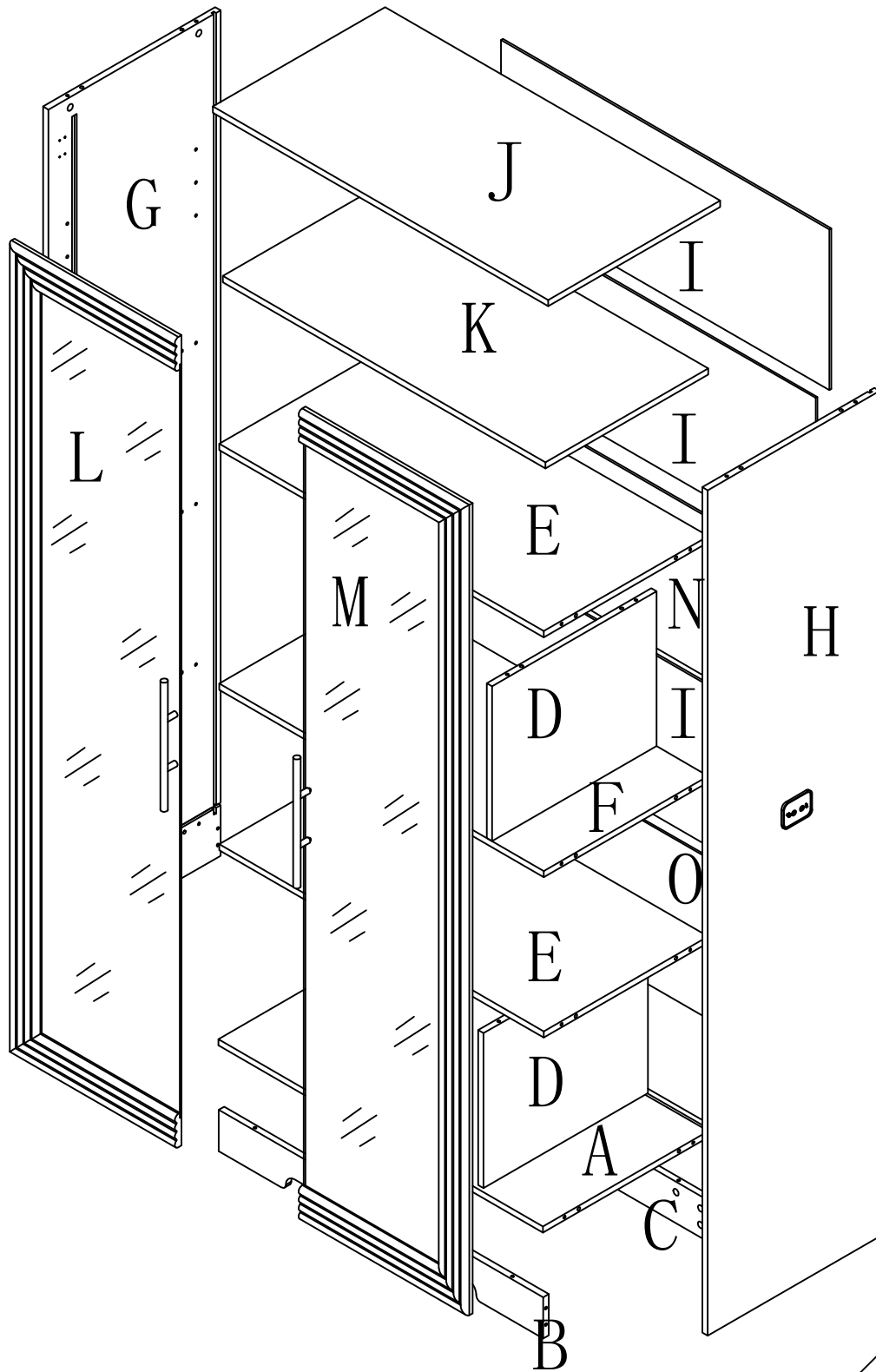


1

# Accessories list

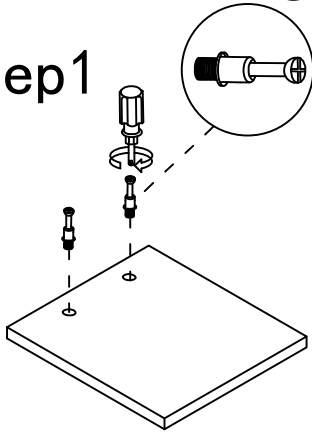
①		Two In One Screw (6x28mm)	42pcs +3pcs
②		Two In One Nut (10x12mm)	42pcs +3pcs
③		Wood Chipping (6x30mm)	28pcs +1pcs
④		Non-slip pads (50x10x2mm)	6pcs +2pcs
⑤		Laminate support nail	4pcs +1pcs
⑥		Hinge & Screw (3.5x14mm)	36pcs +4pcs 6pcs
⑦		Handle (224) & Screw (4x12mm)	2pcs 4pcs +1pcs
		Glue gaskets      Iron gaskets	4pcs +1pcs      4pcs +1pcs
⑧		Fixing clip & screw (3x16mm)	12pcs +2pcs
⑨		Clamp	3pcs +2pcs
⑩		Foot nail	3pcs +2pcs
⑪		Back panel fasteners (720mm)	1pcs
⑫		AC/DC Adapter (12V-3.0A)	1pcs
⑬	Anti Fall Hardware		1pcs
	Double-head screwdriver, use as required		

# Product structure decomposition

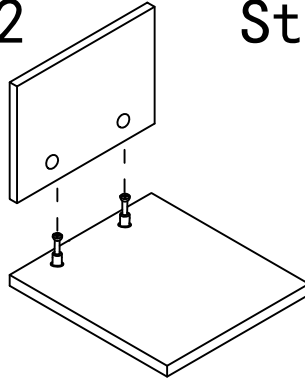


# Use parts ① and ②

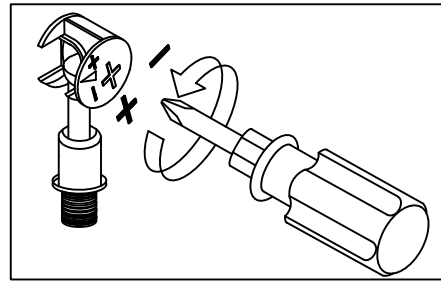
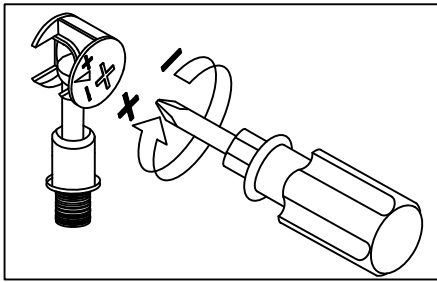
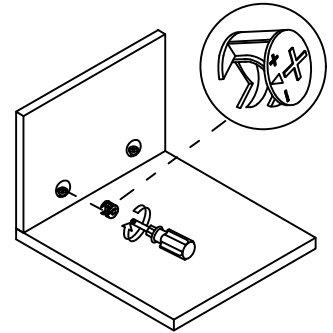
Step 1



Step 2



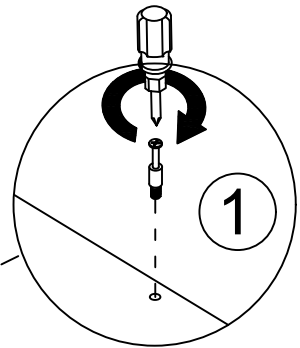
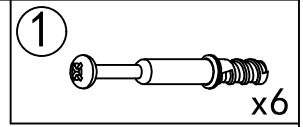
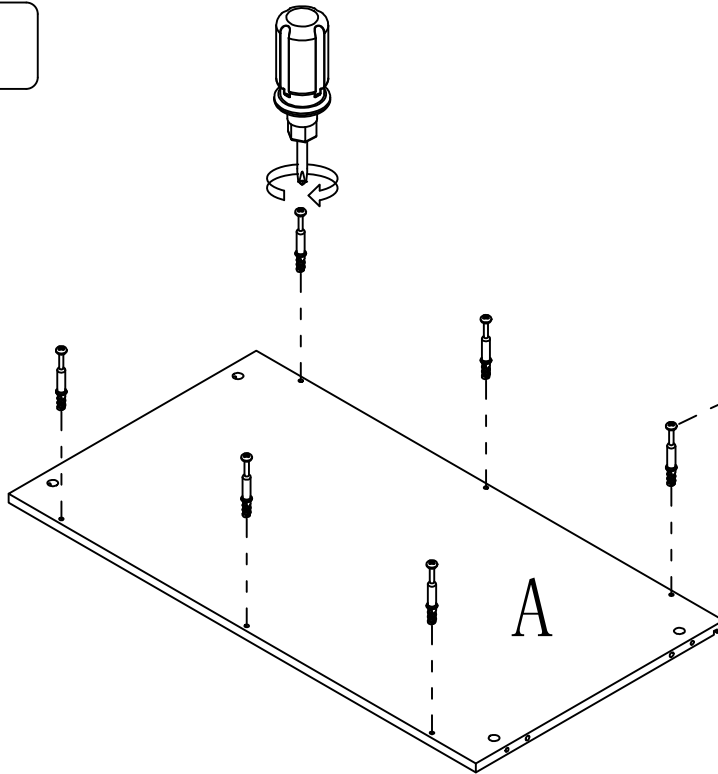
Step 3



Use a screwdriver to lock in the direction of the "+" sign

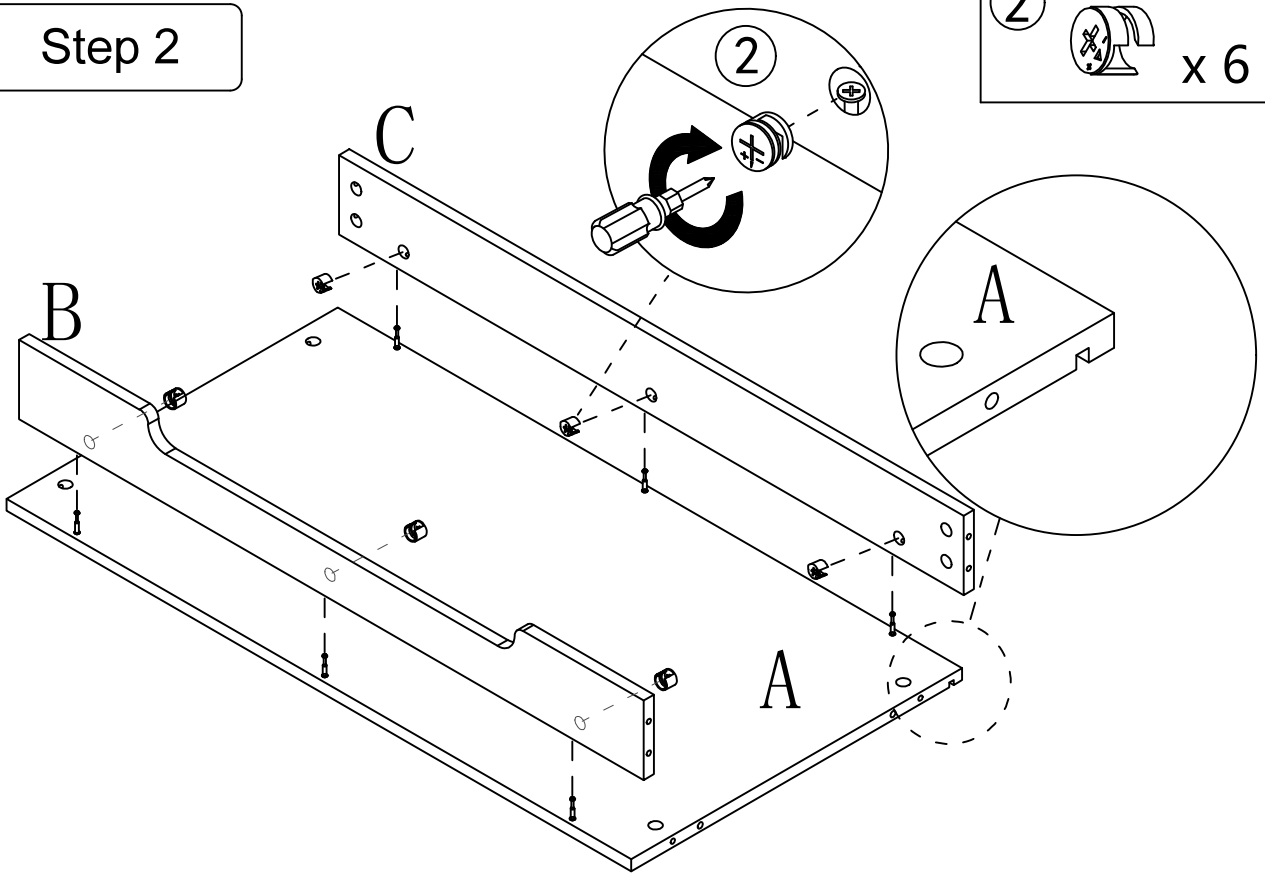
Disassemble along the direction of "-" sign

Step 1

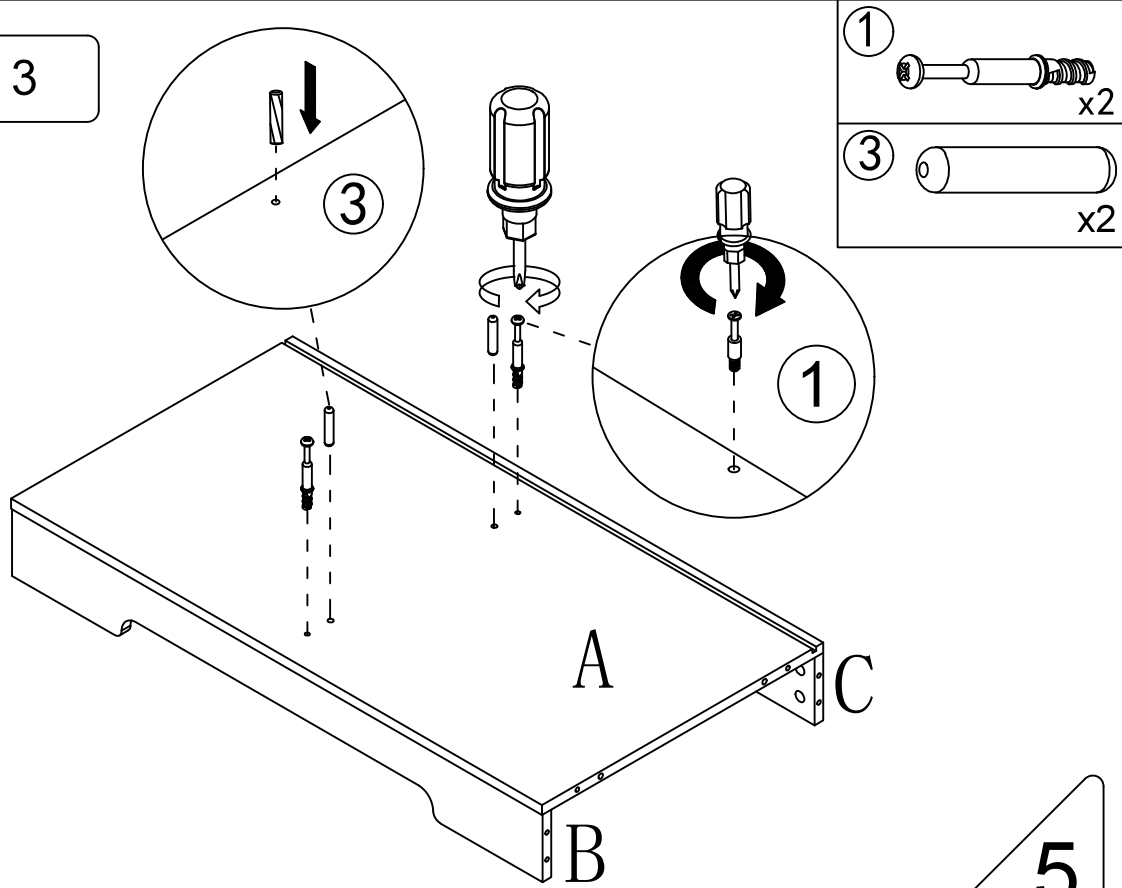


4

Step 2



Step 3

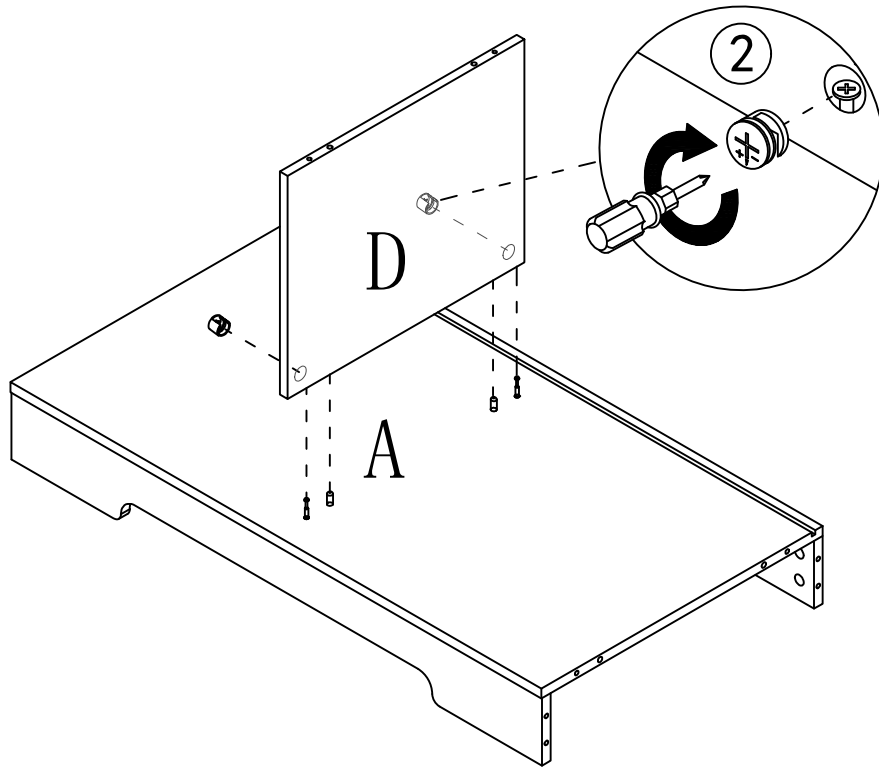


Step 4

2

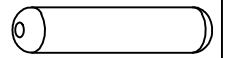


x 2

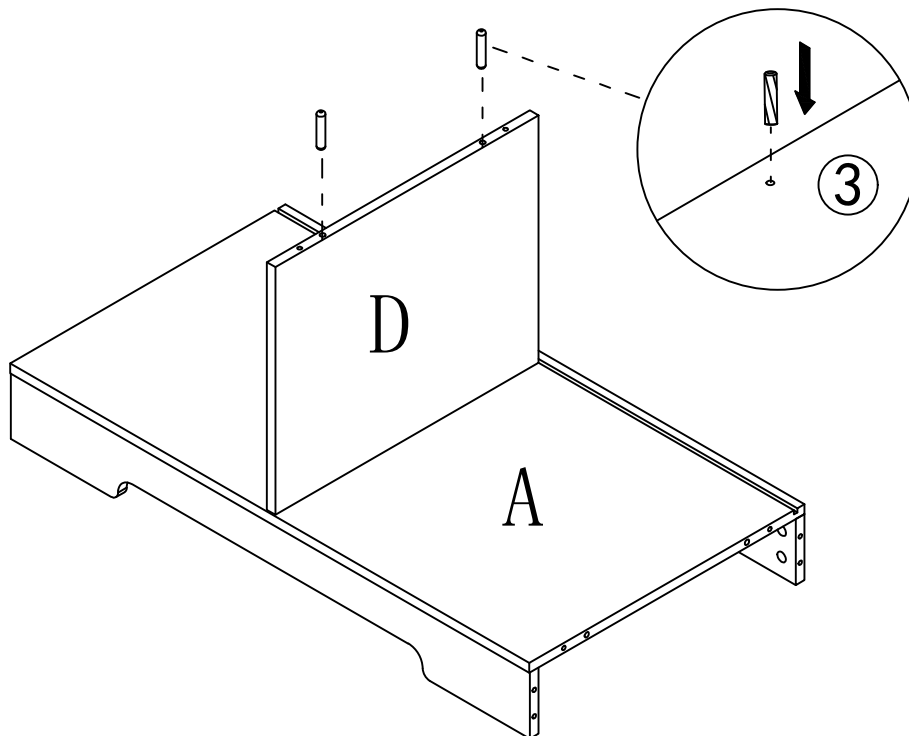


Step 5

3

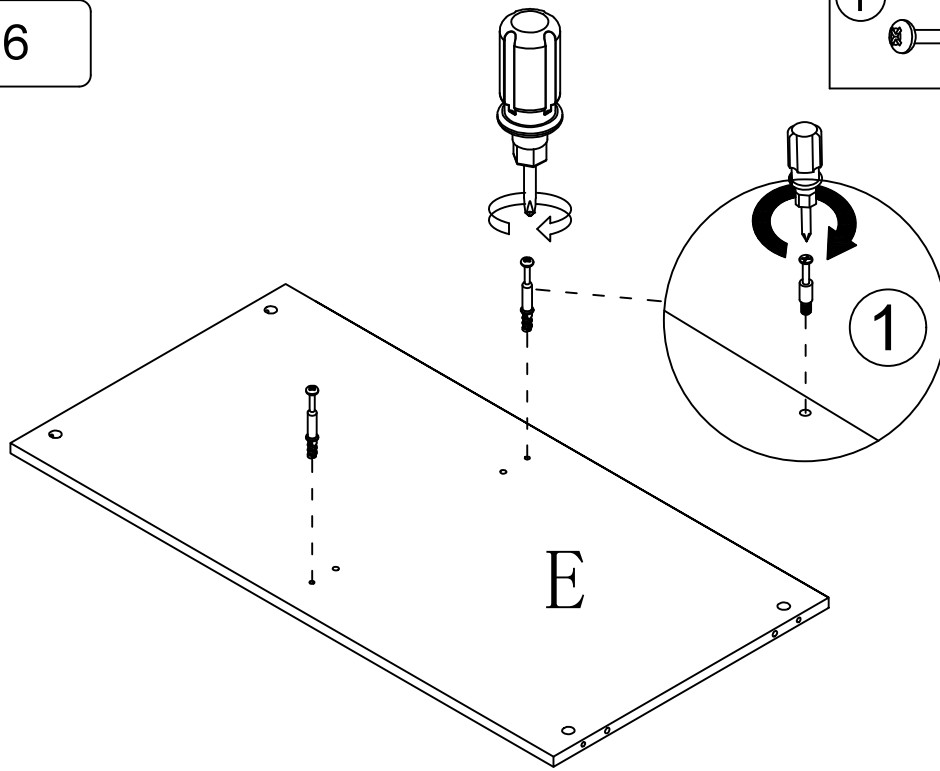


x2

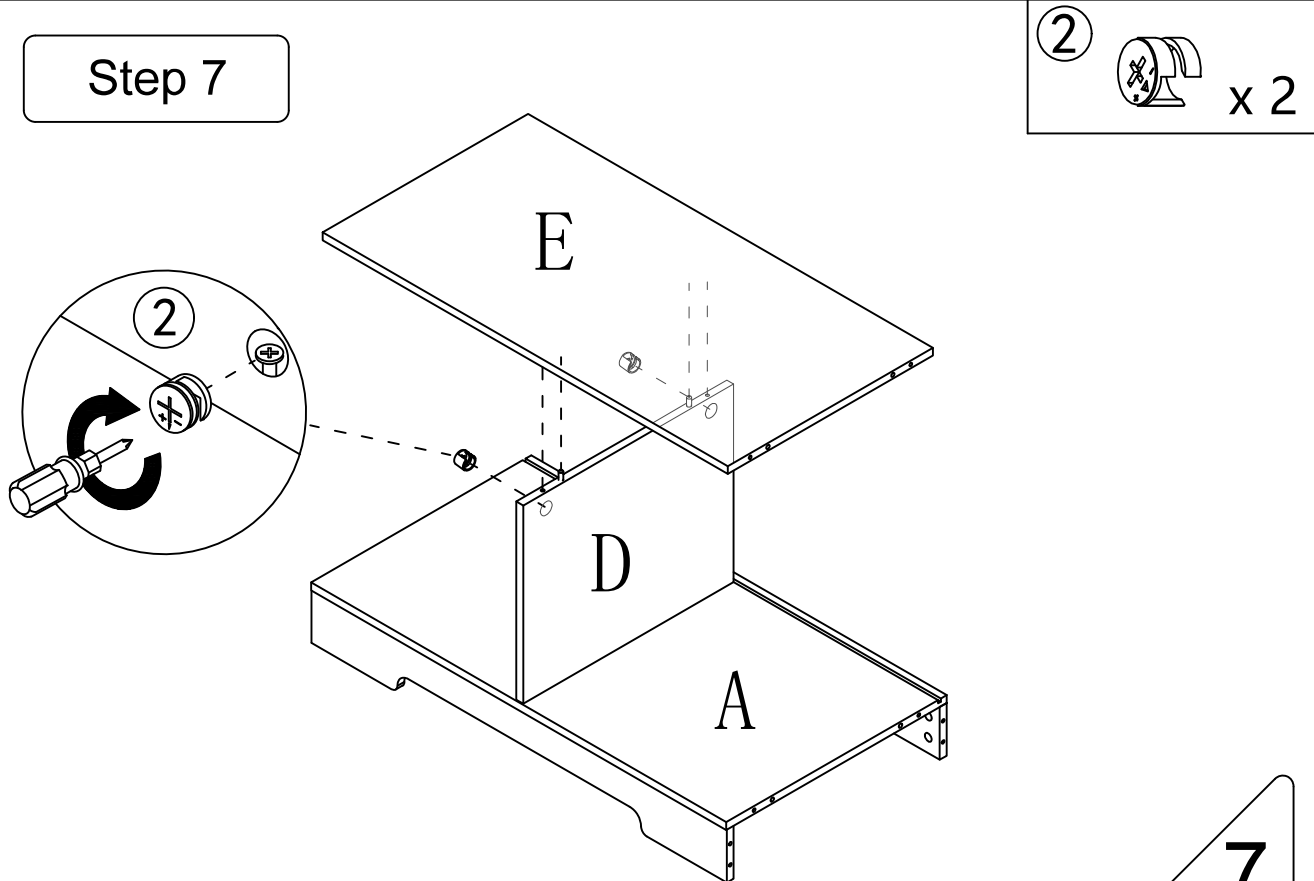


6

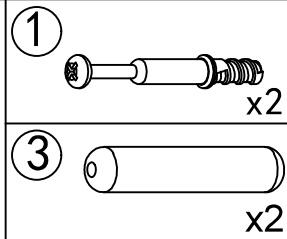
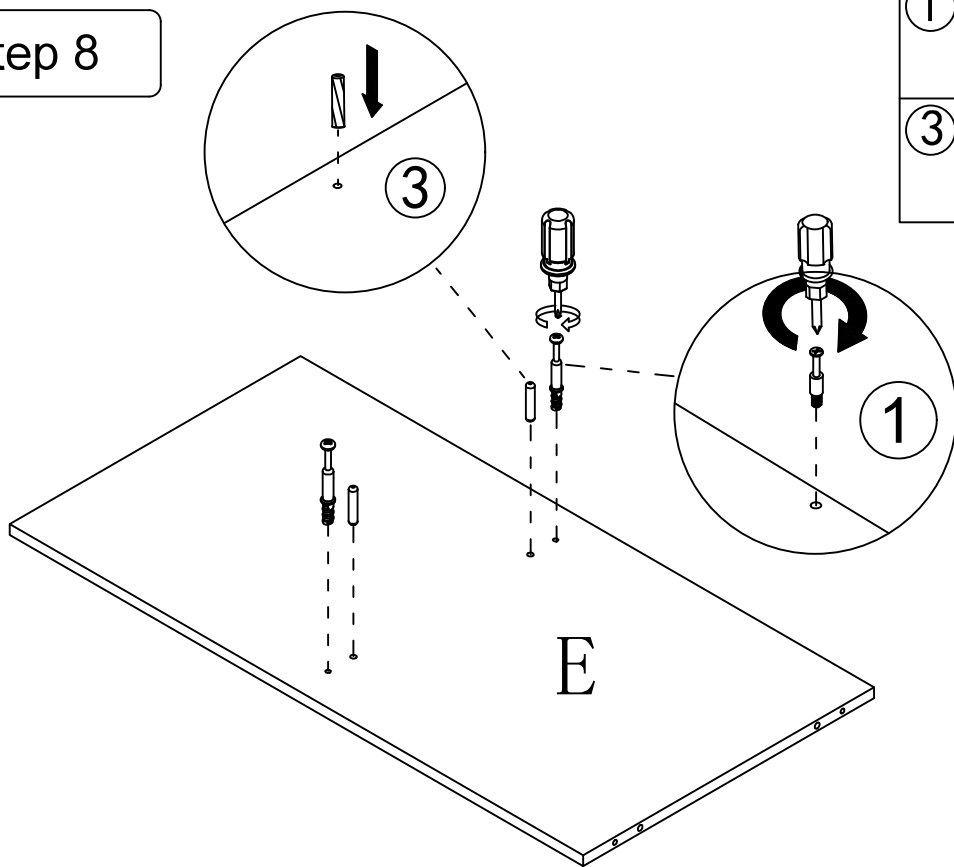
Step 6



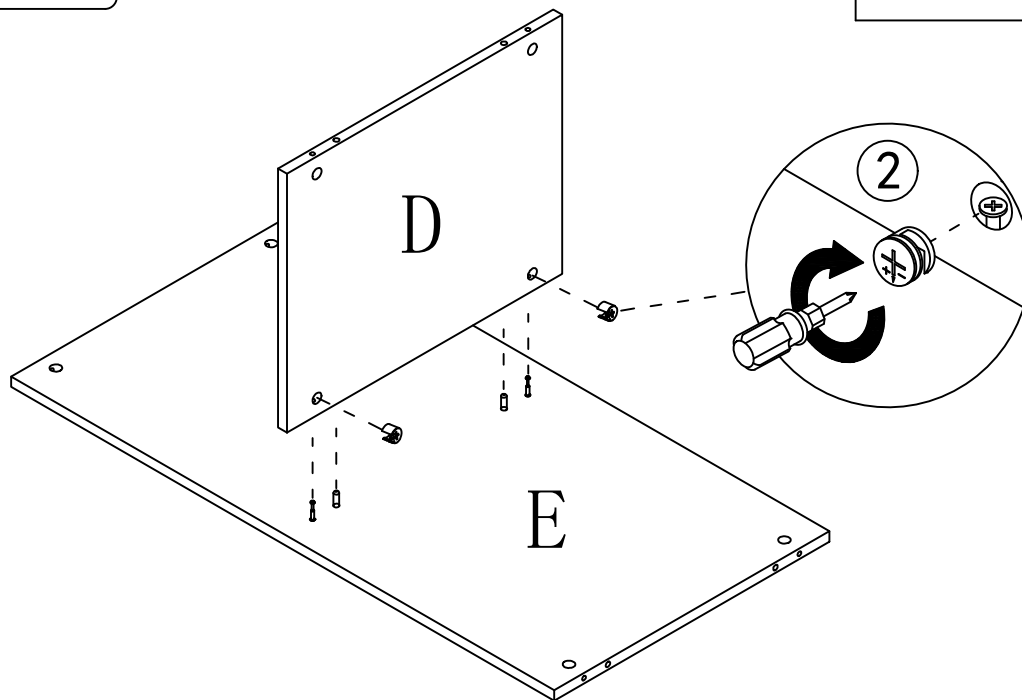
Step 7



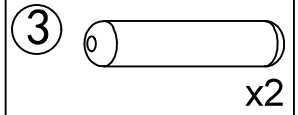
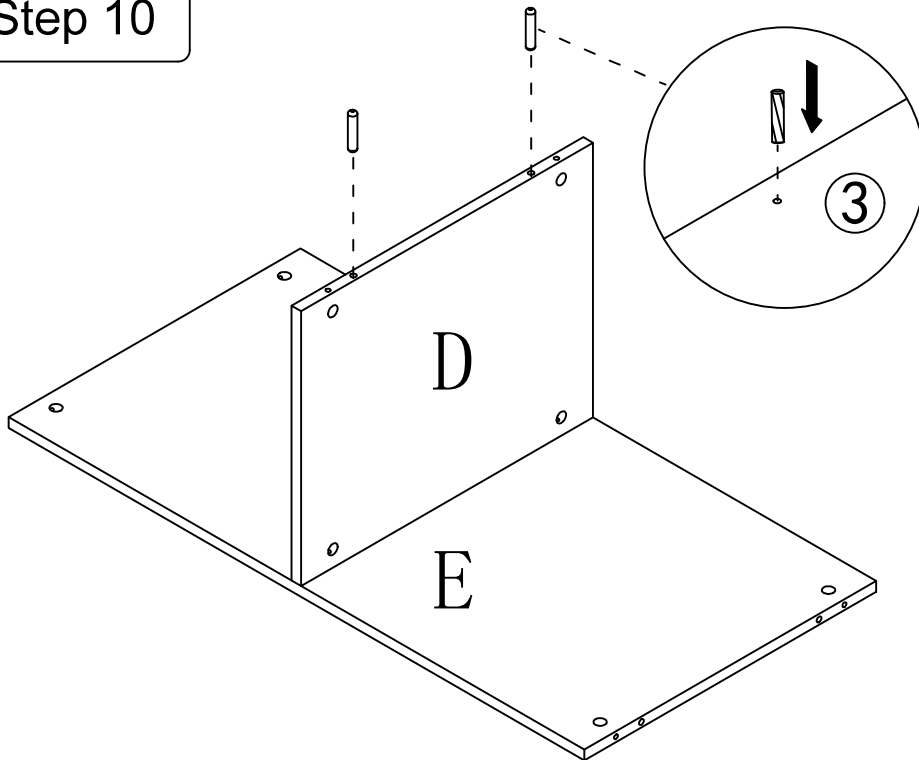
Step 8



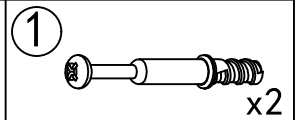
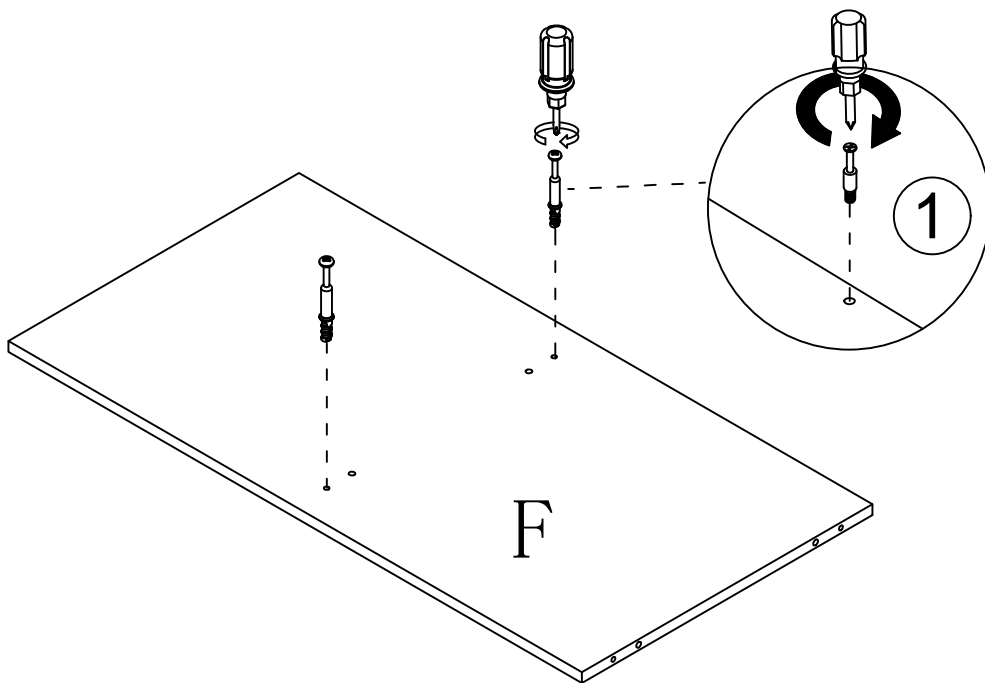
Step 9



Step 10



Step 11

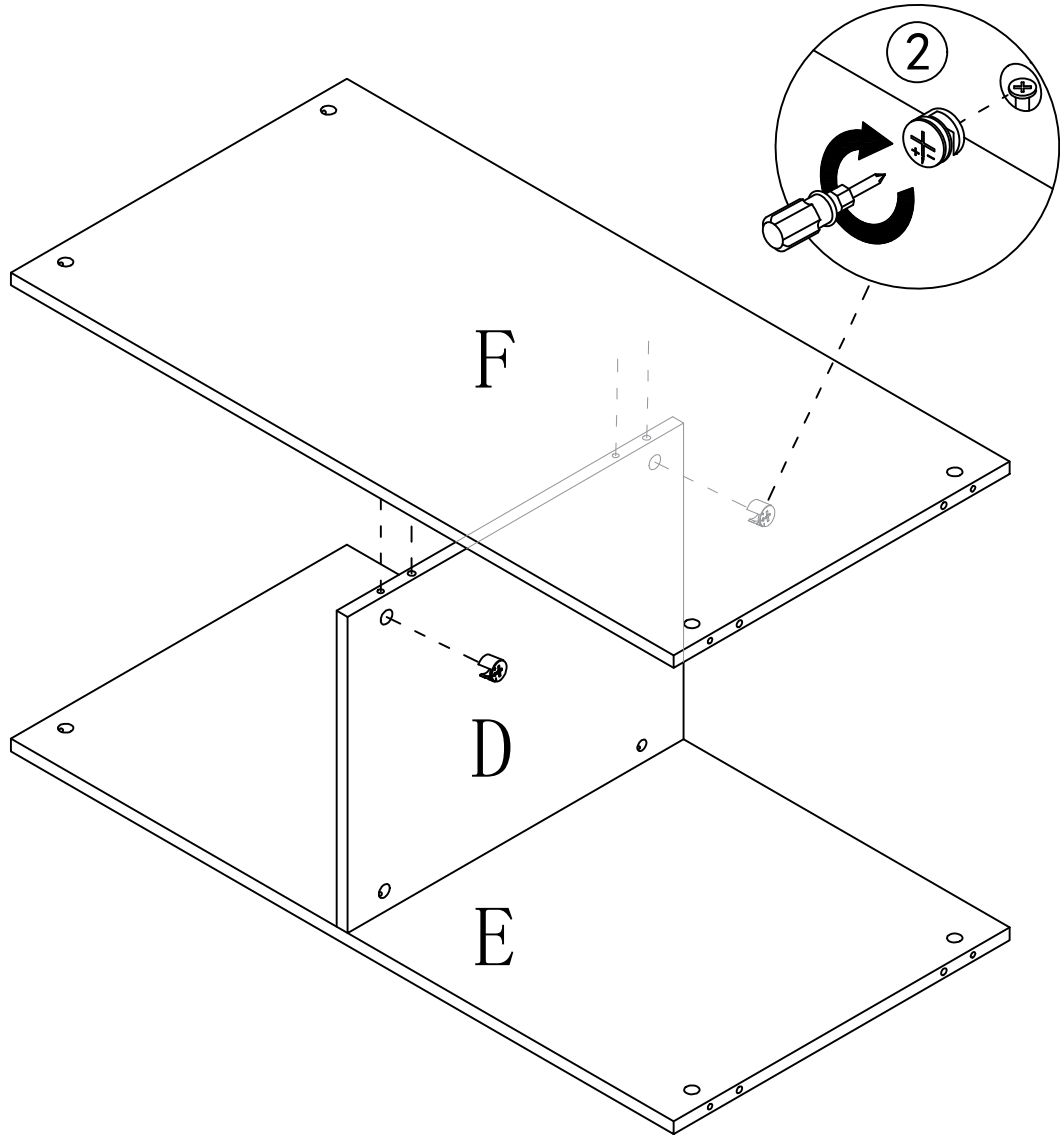


Step 12

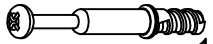
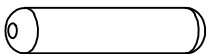
2

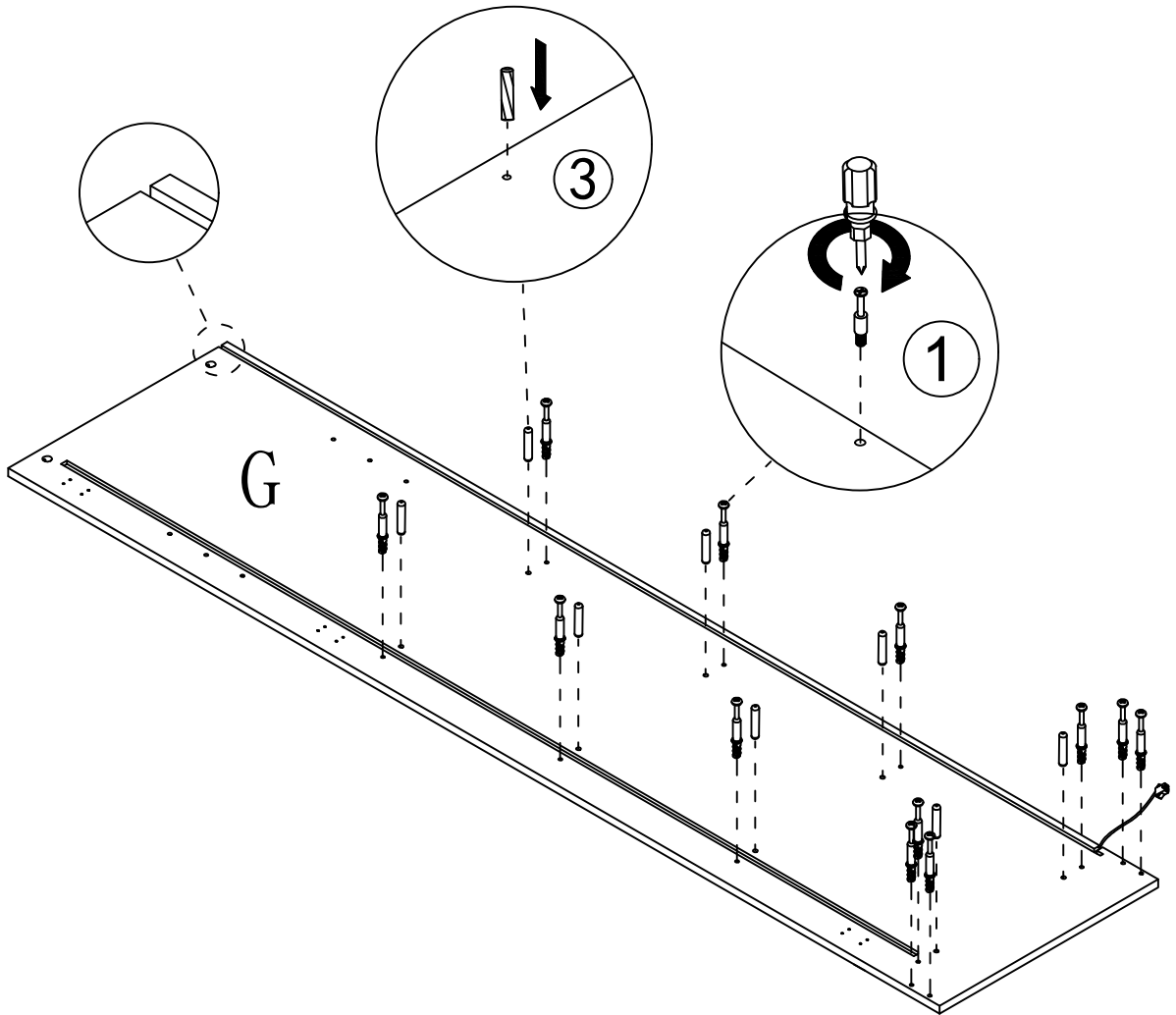


x 2



Step 13

- ①  x12
- ③  x8

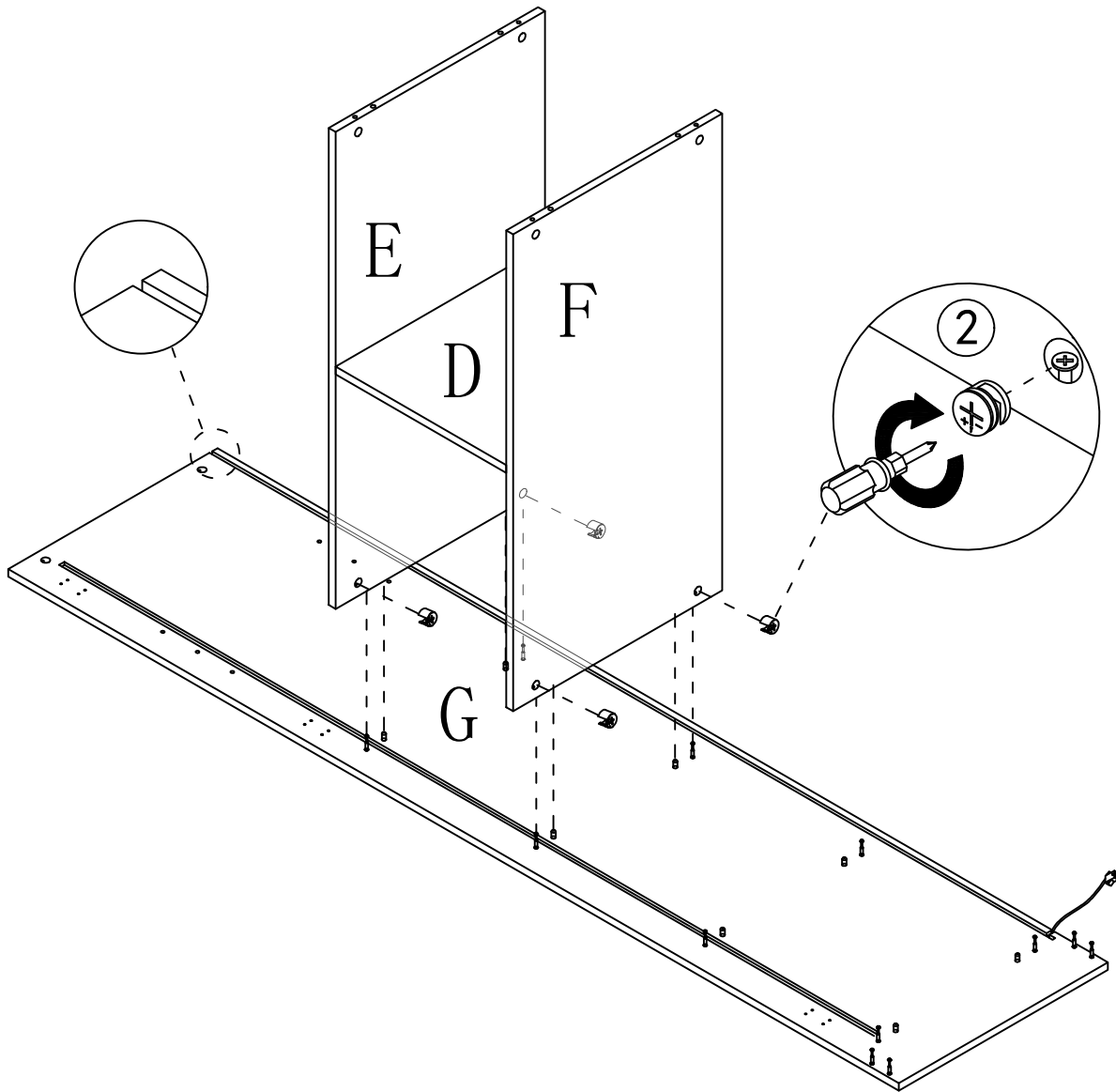


Step 14

2



x 4

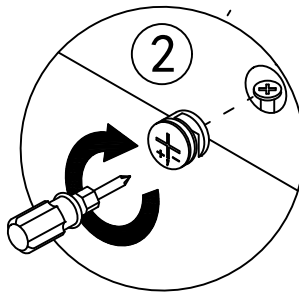
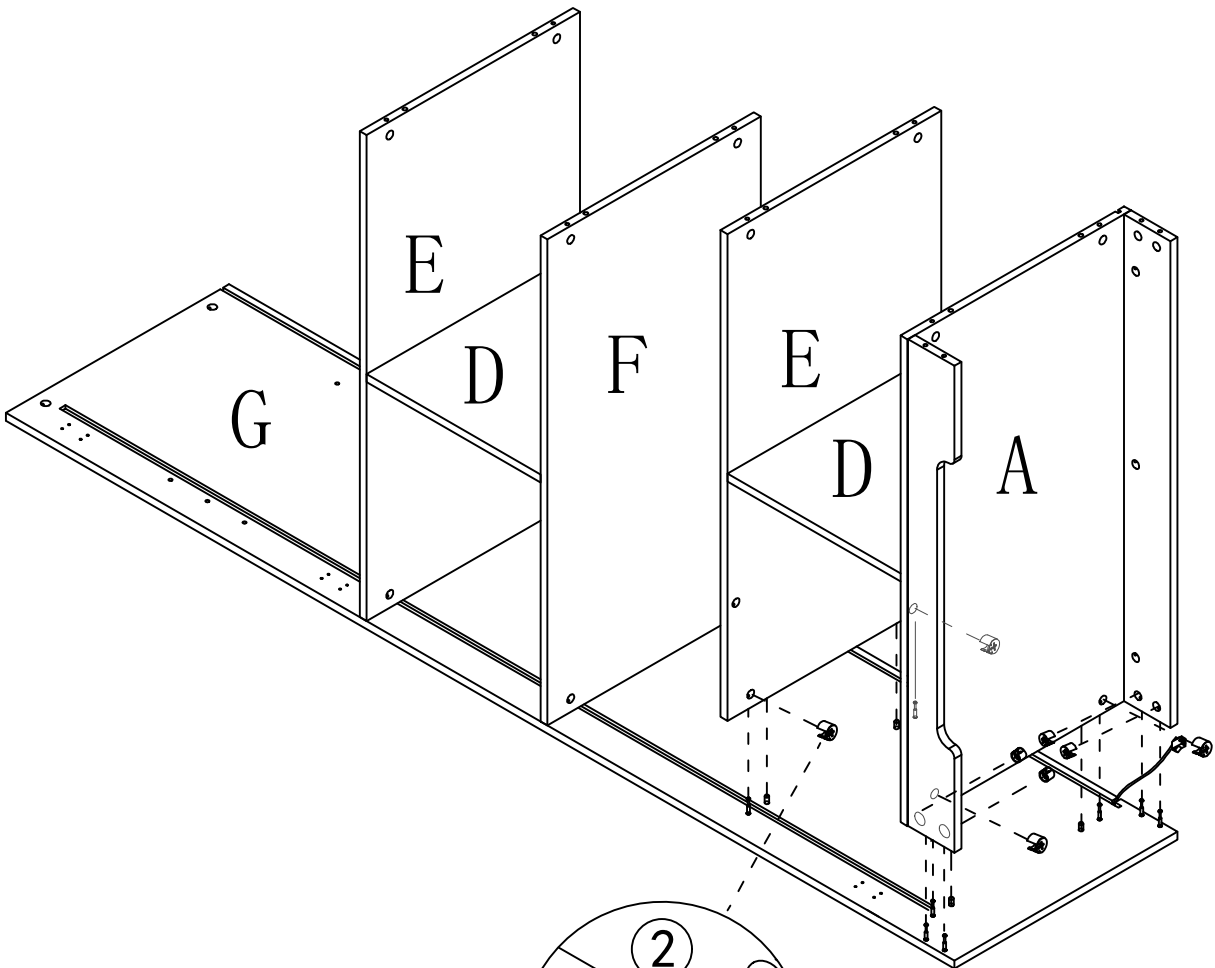


Step 15

2

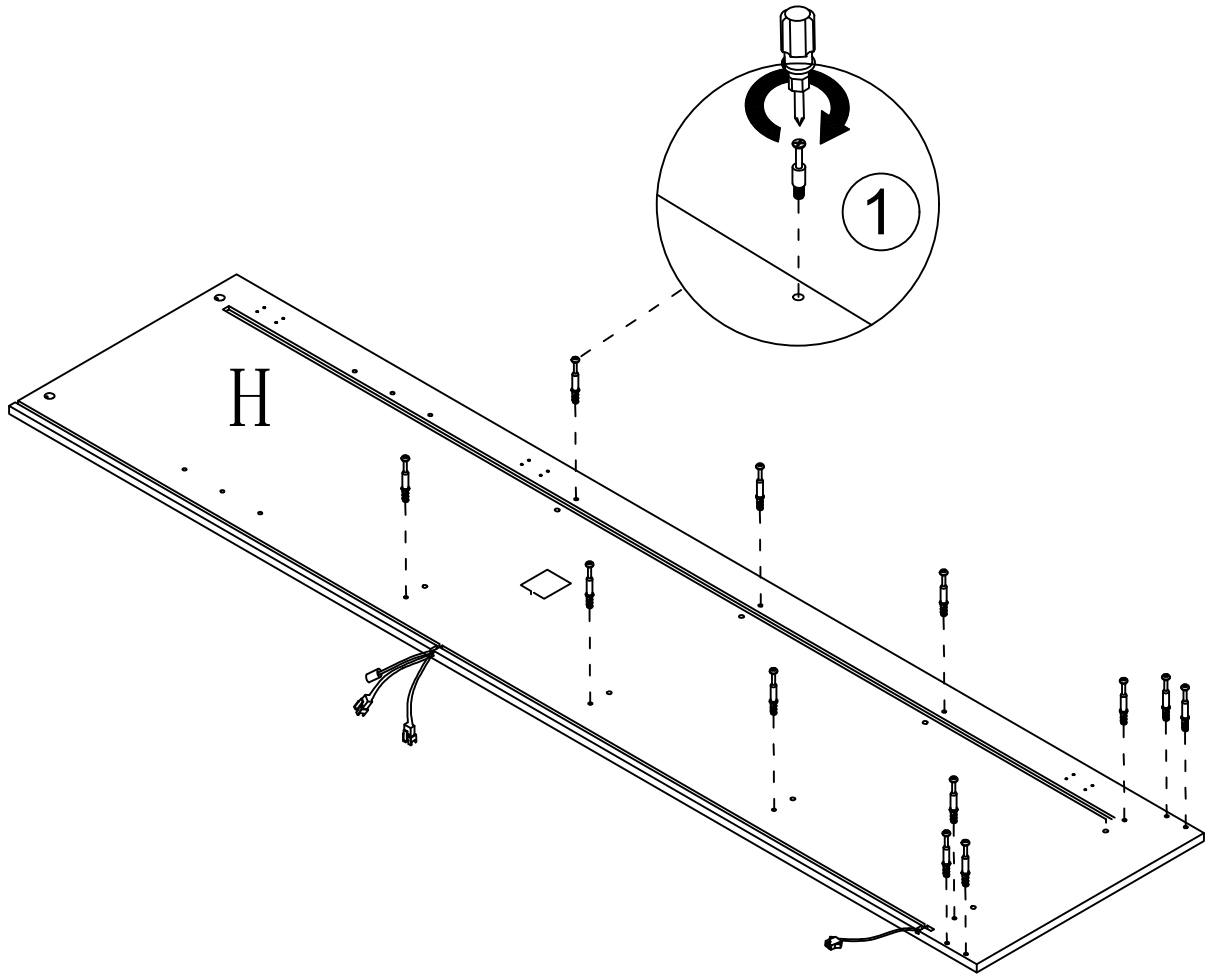
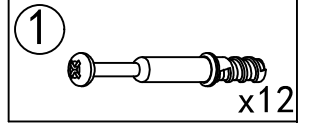


x 8

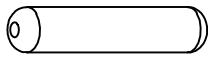


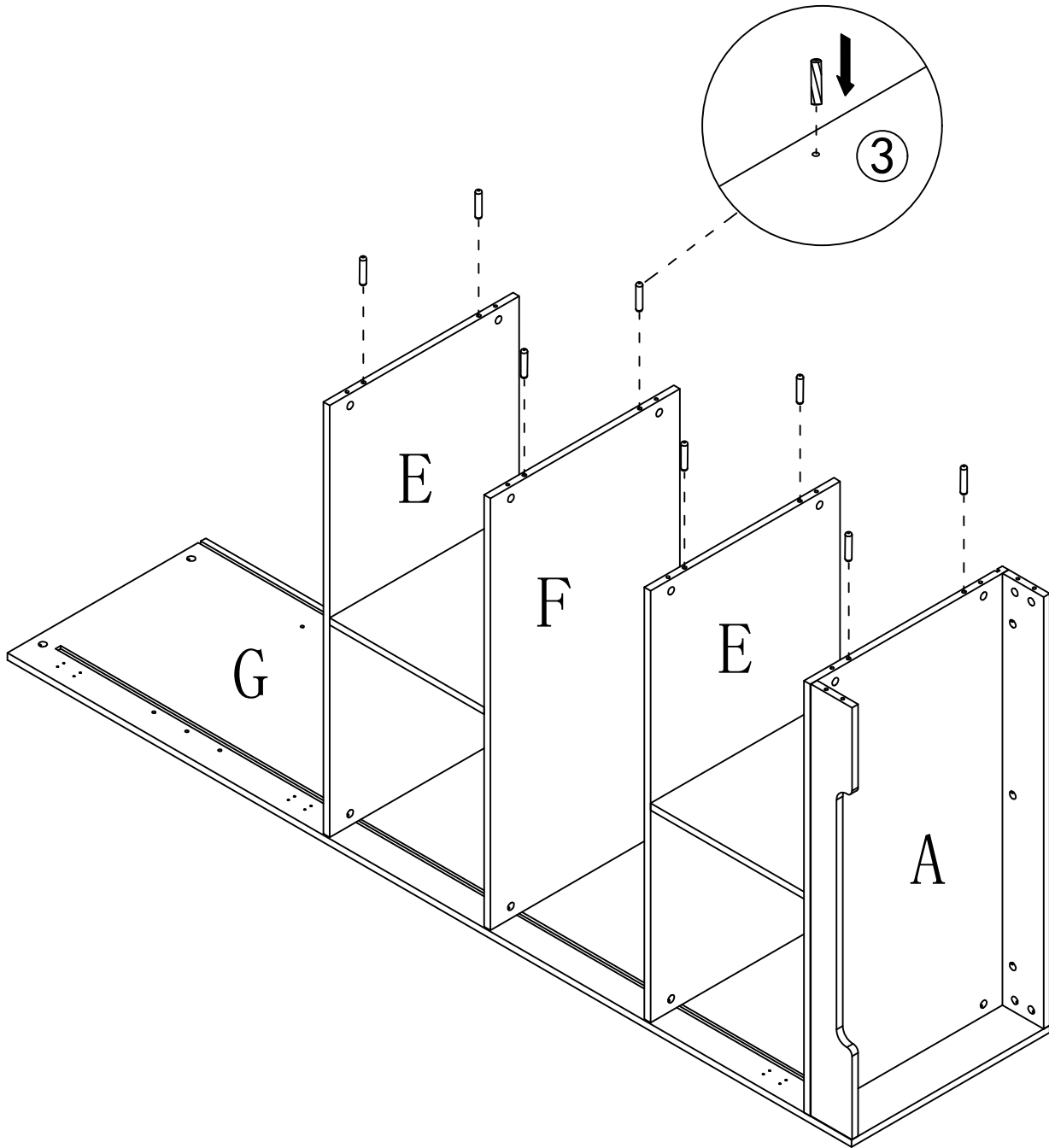
13

Step 16





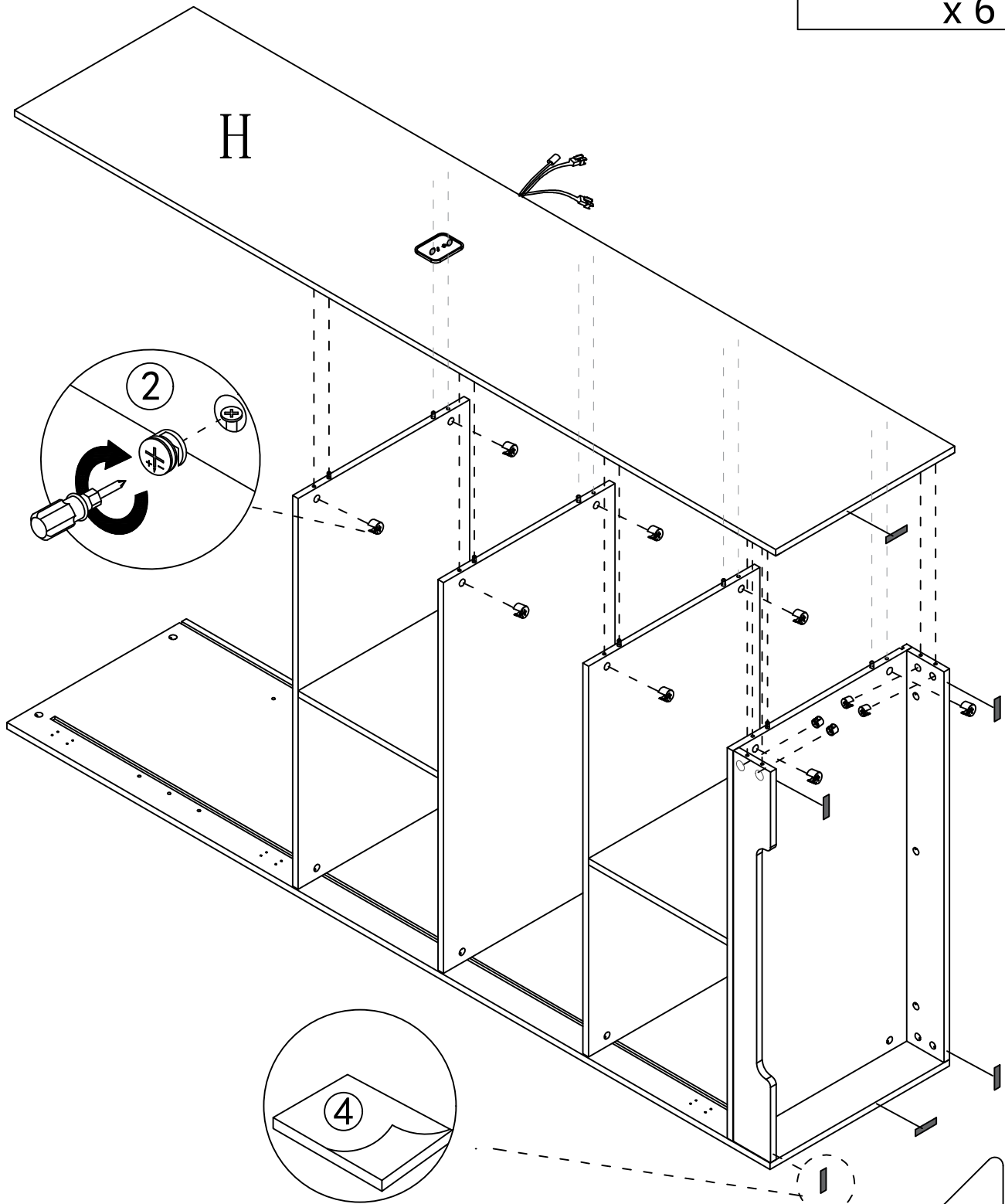
Step 17

③  x8



Step 18

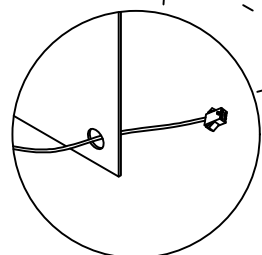
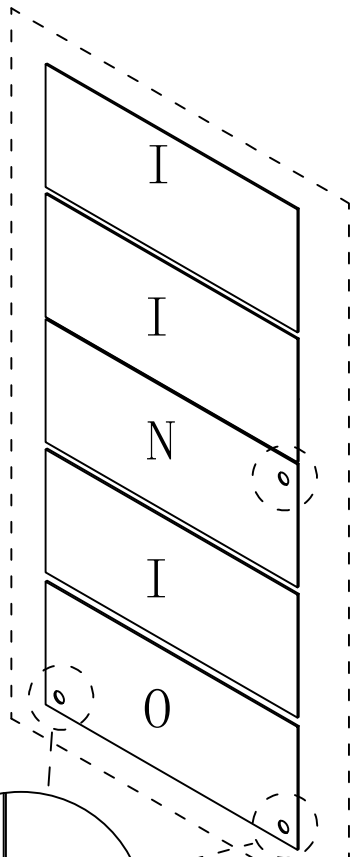
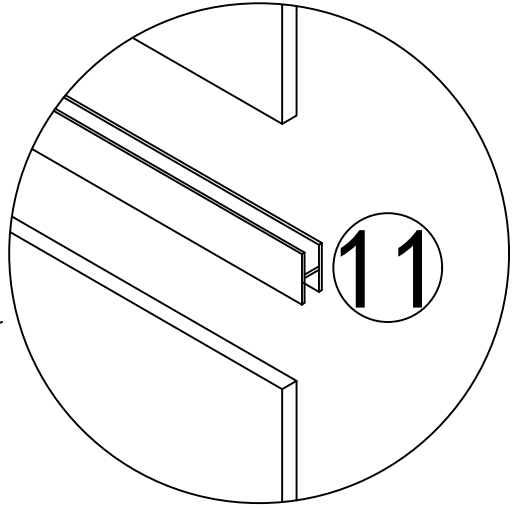
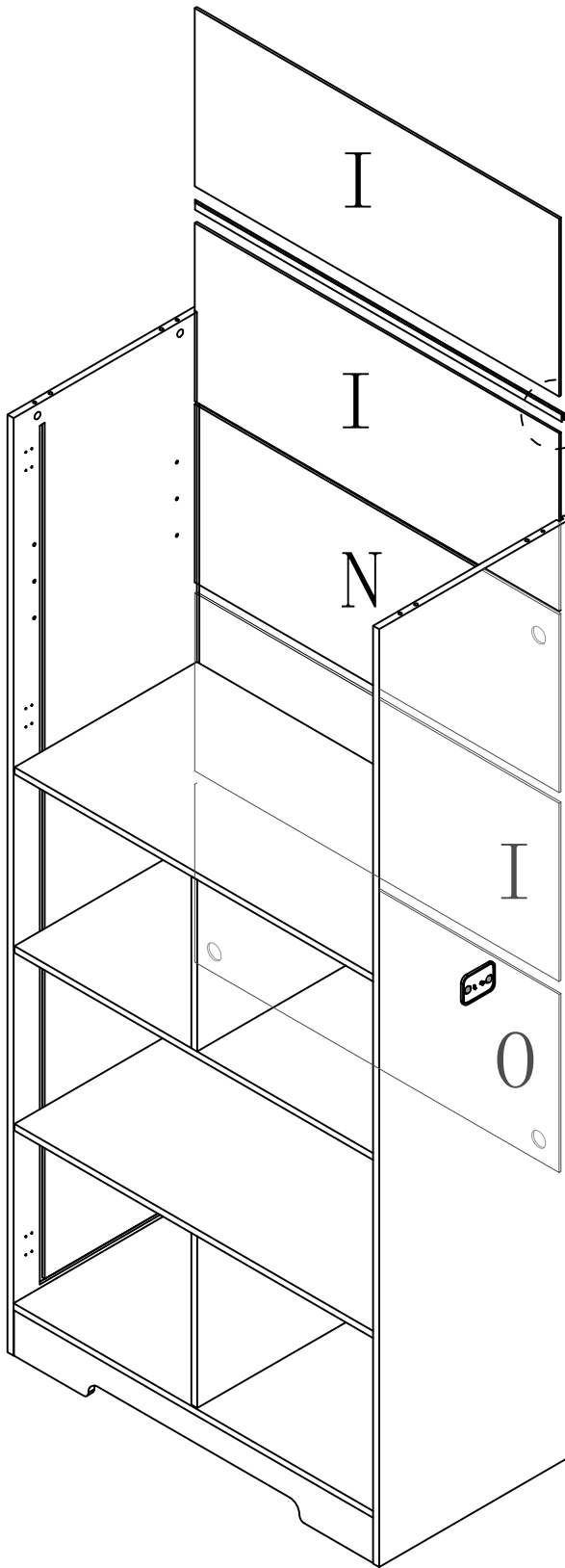
- ②  x 12
- ④  x 6



Tear off the protective film  
before installation

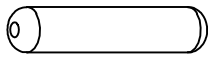
Step 19

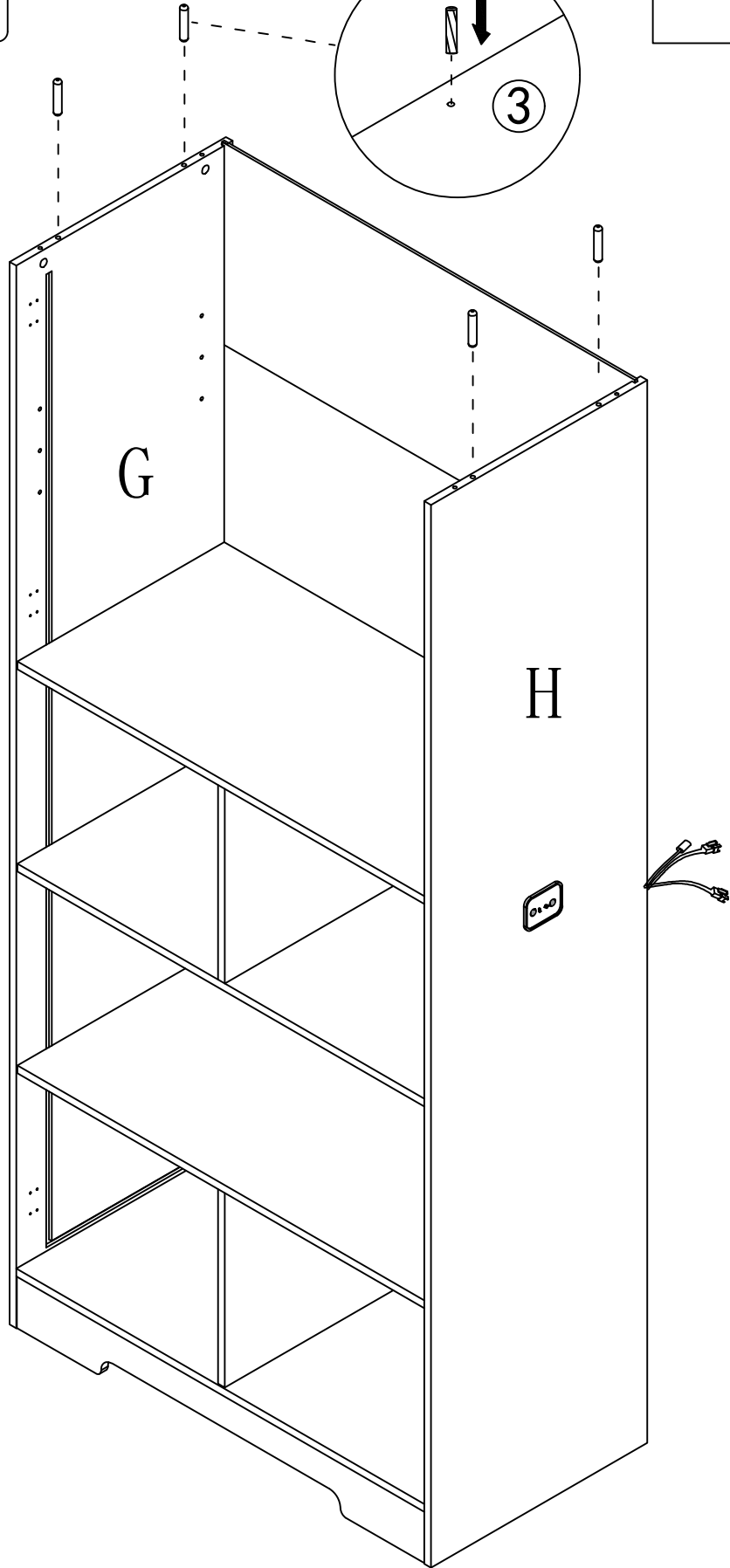
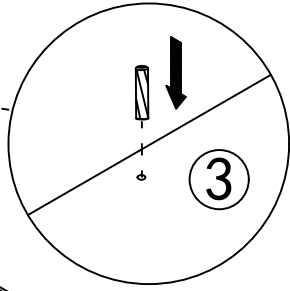
11 x1



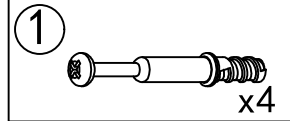
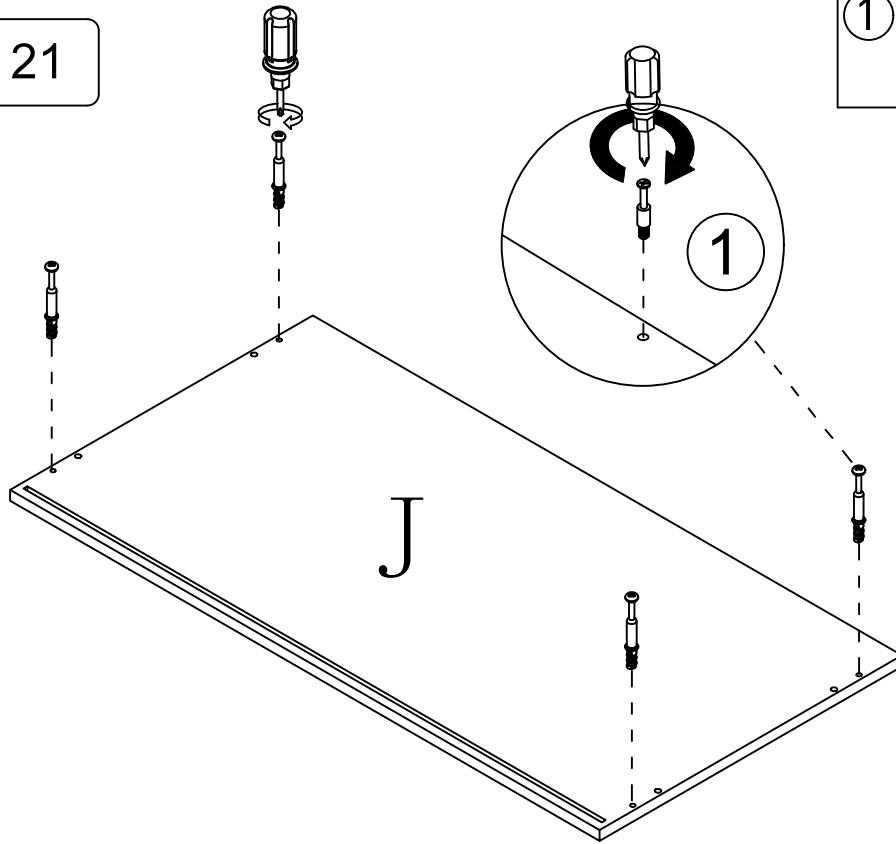
17

Step 20

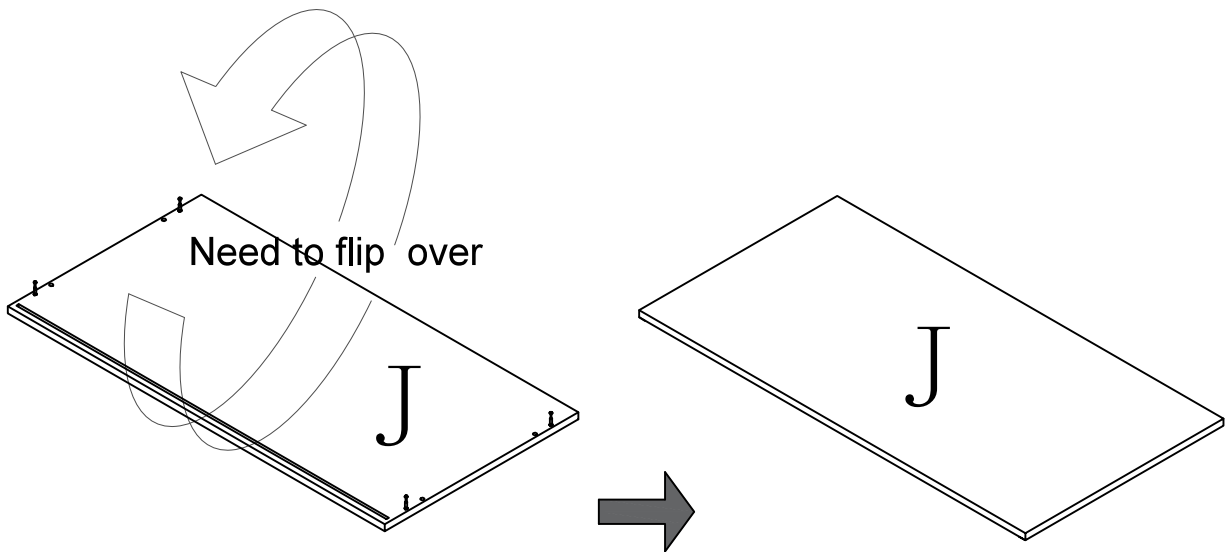
③  x4



Step 21



Step 22

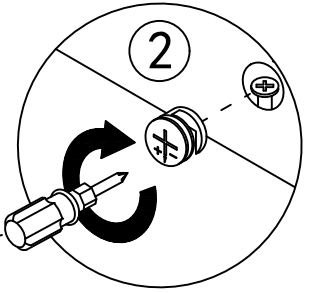
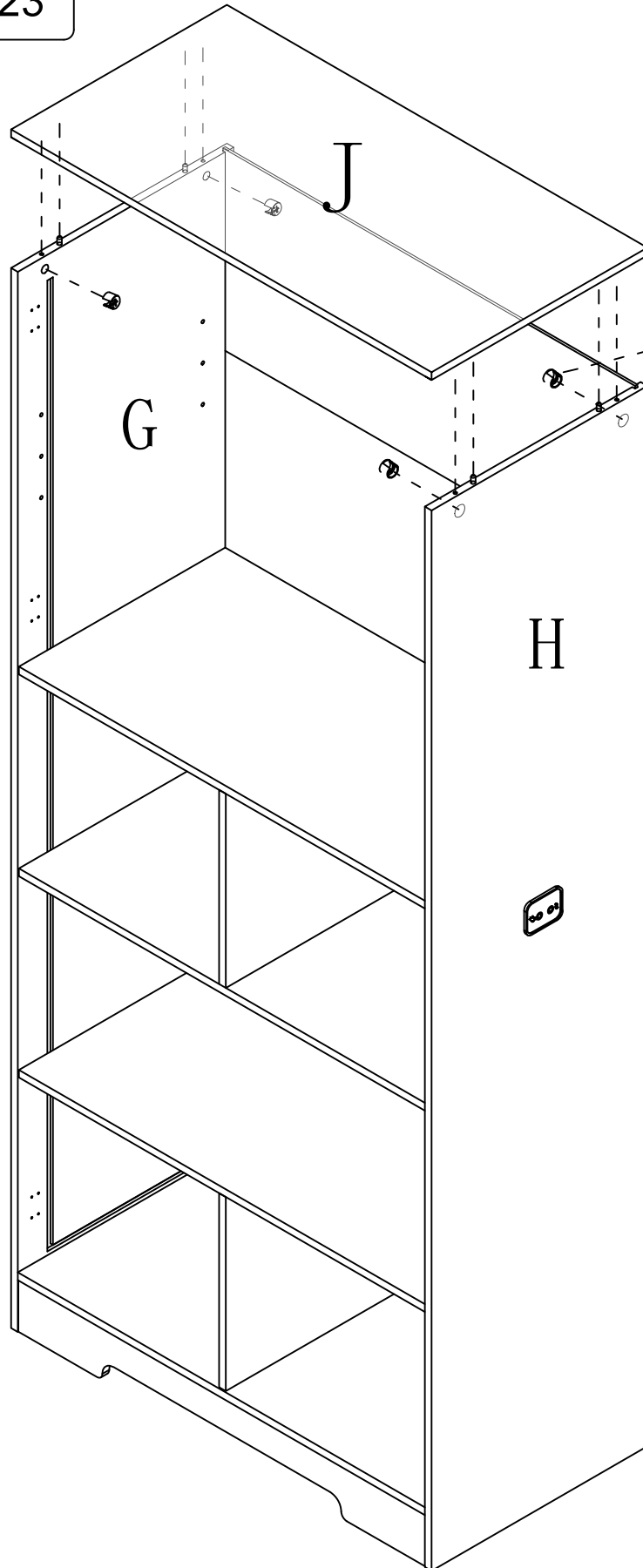


Step 23

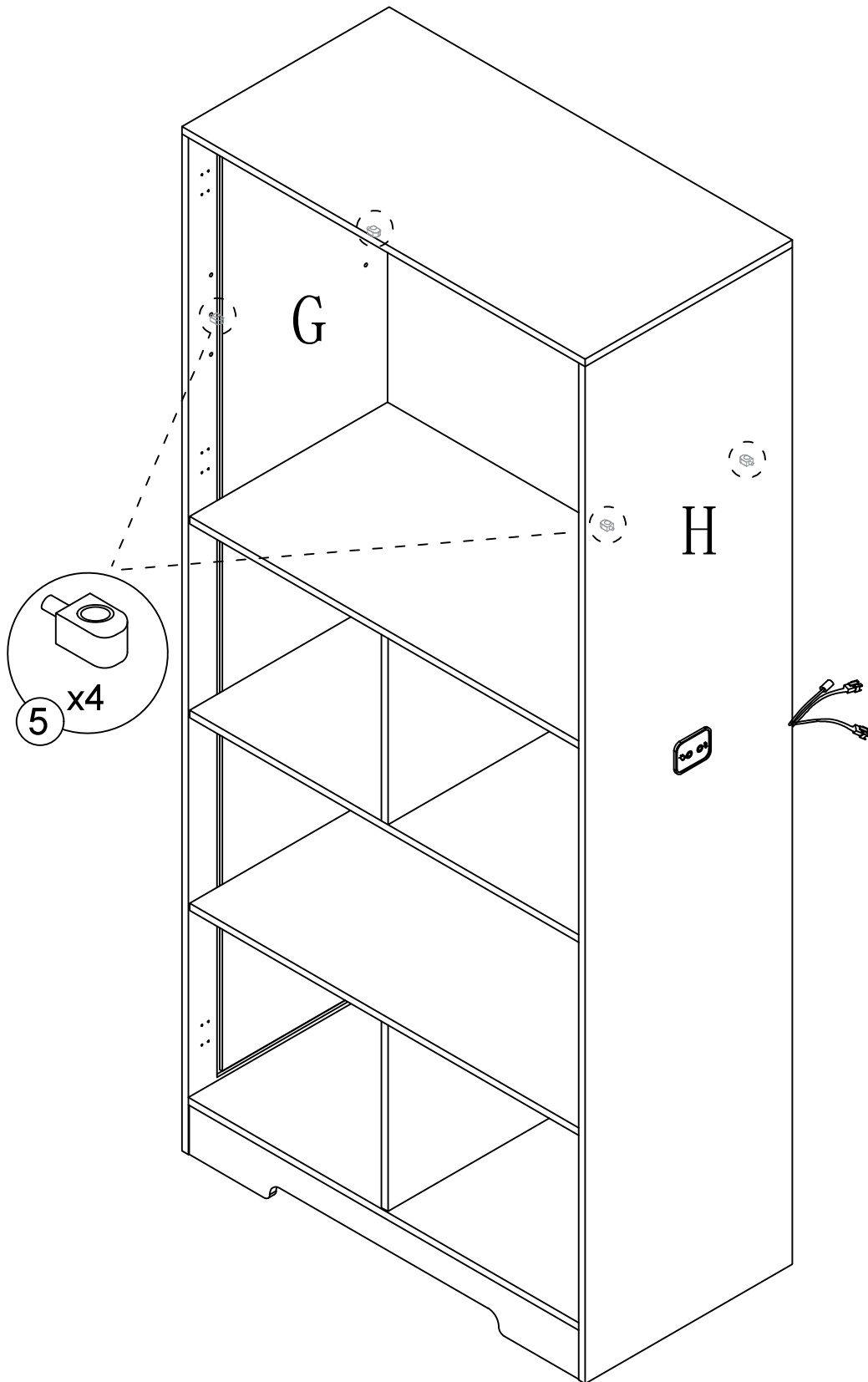
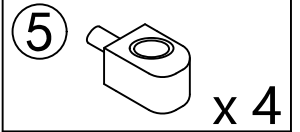
2



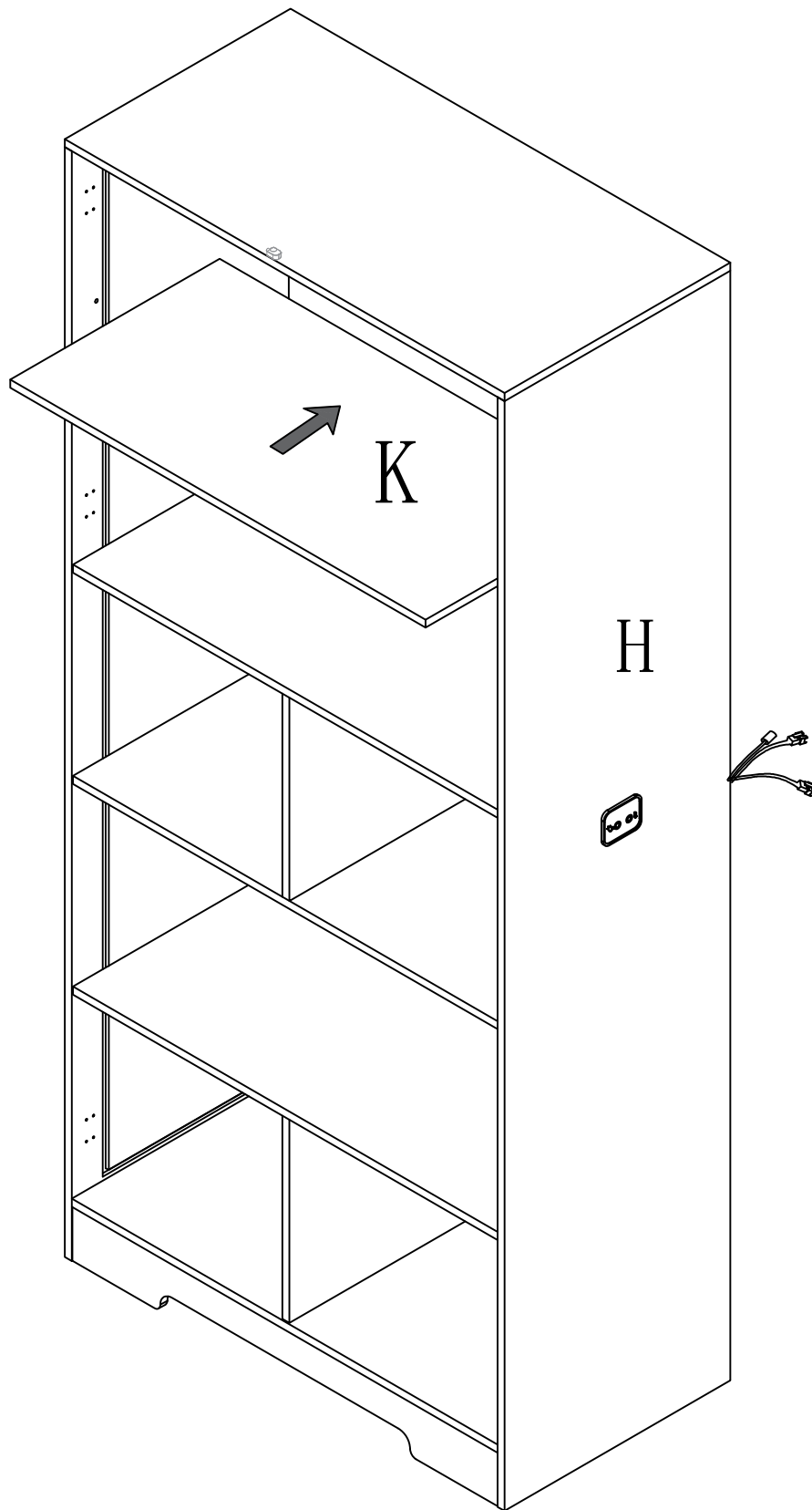
x 4



Step 24

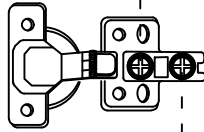


Step 25



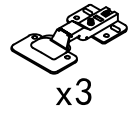
# Step 26

Turning this screw can effectively adjust the size of the door gap.



Turn this screw to adjust the doorpanel to be flat with the side panel.

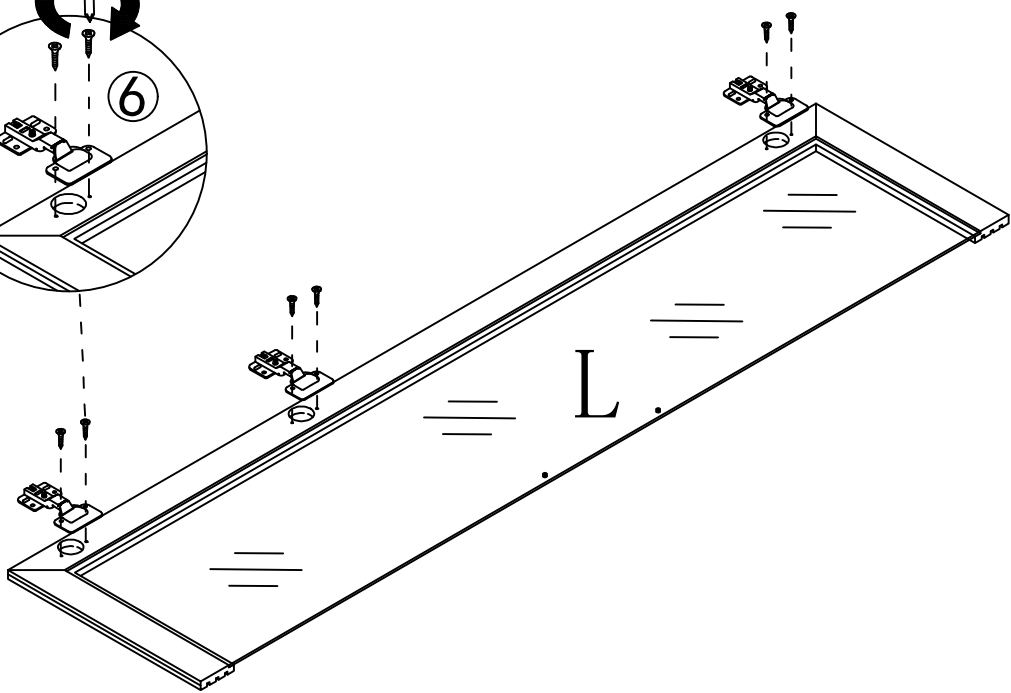
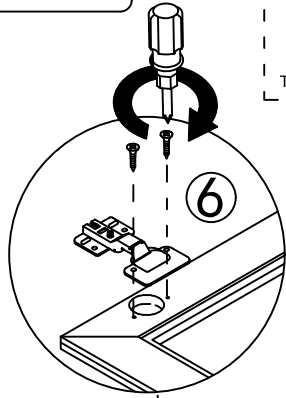
6



x3

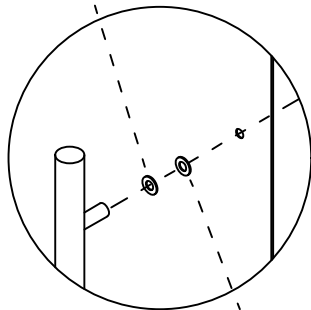


x6



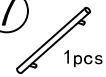
# Step 27

Iron gaskets



Glue gaskets

7



1pcs



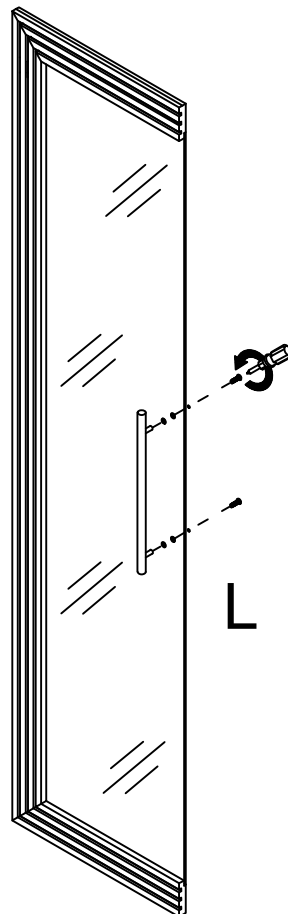
2pcs



2pcs

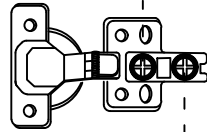


2pcs



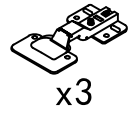
# Step 28

Turning this screw can effectively adjust the size of the door gap.



Turn this screw to adjust the doorpanel to be flat with the side panel.

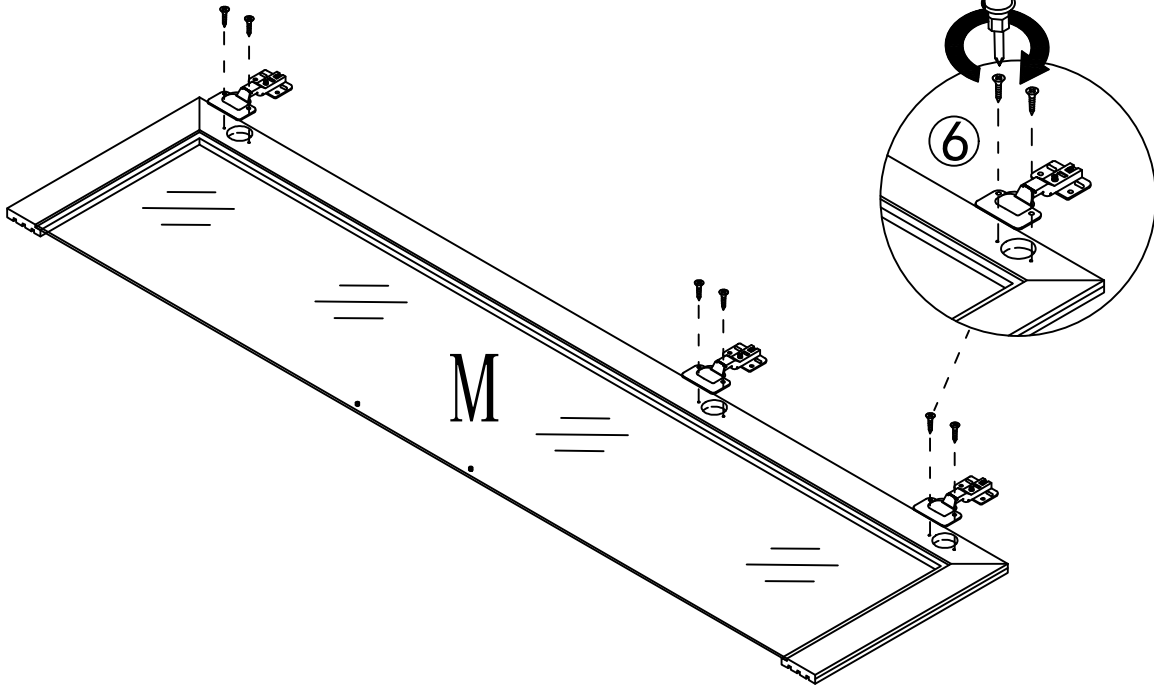
6



x3

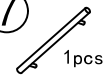


x6



# Step 29

7



1 pcs



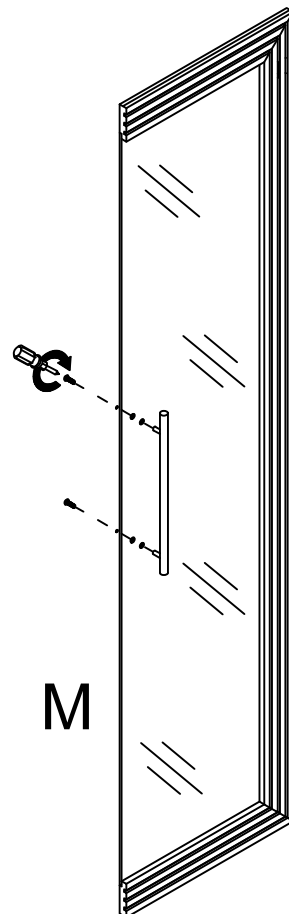
2 pcs



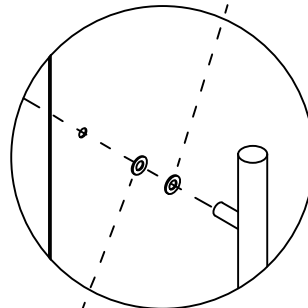
2 pcs



2 pcs



Iron gaskets



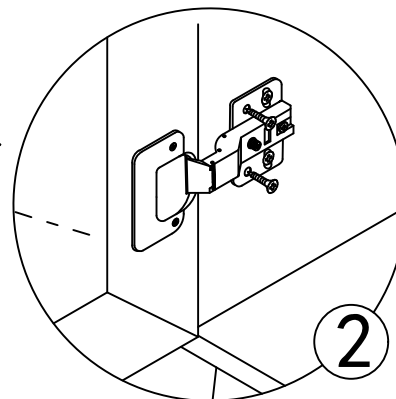
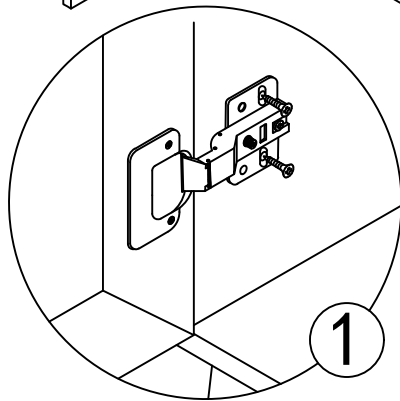
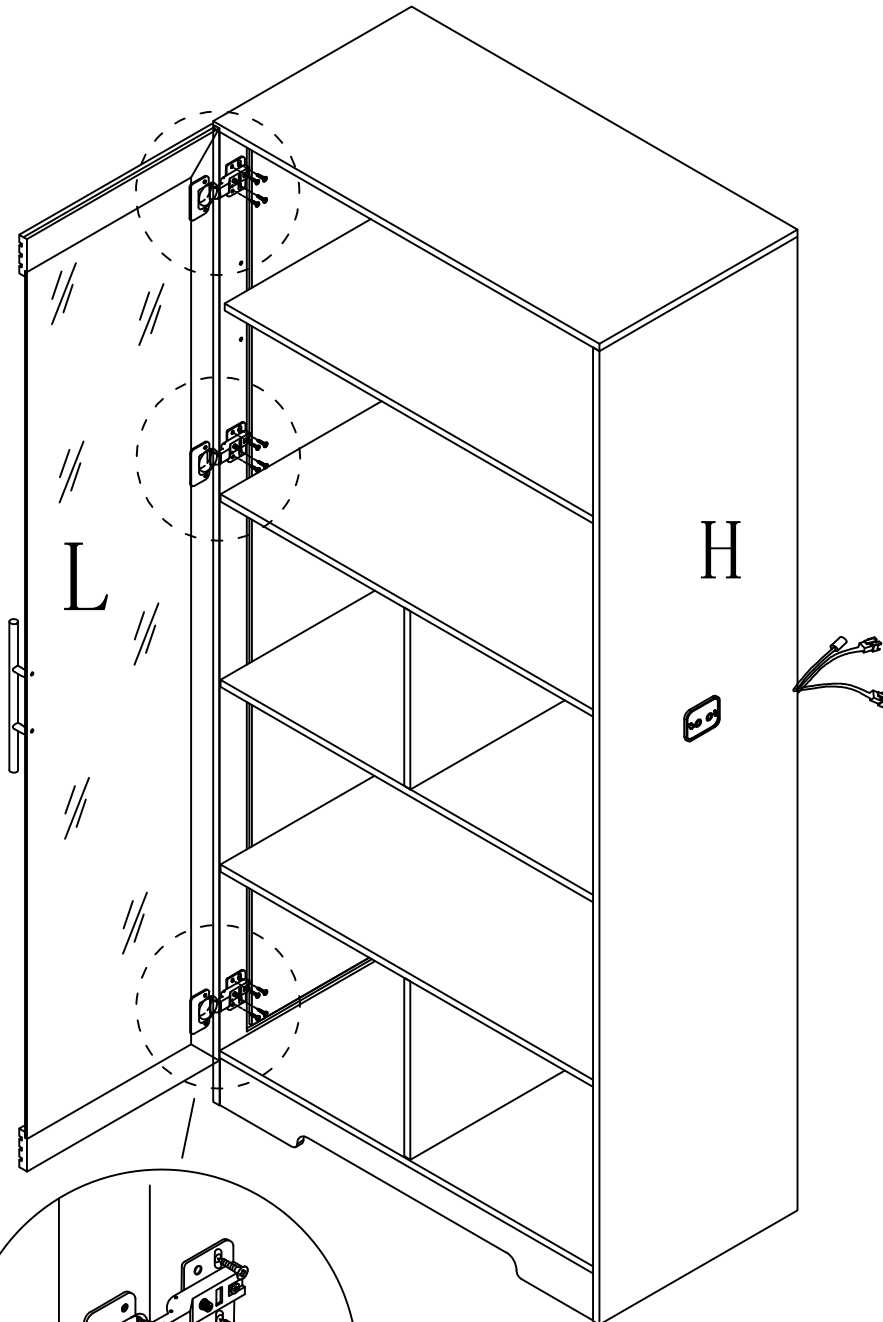
Glue gaskets

Step 30

6



x12



First lock the elliptical hole  
then lock the fixed hole

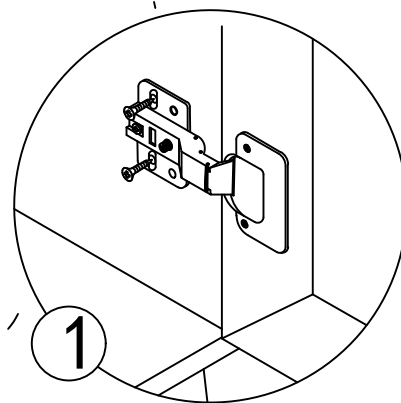
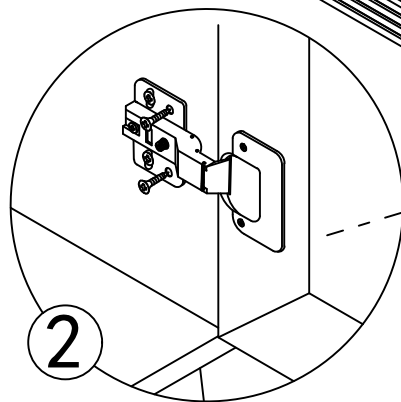
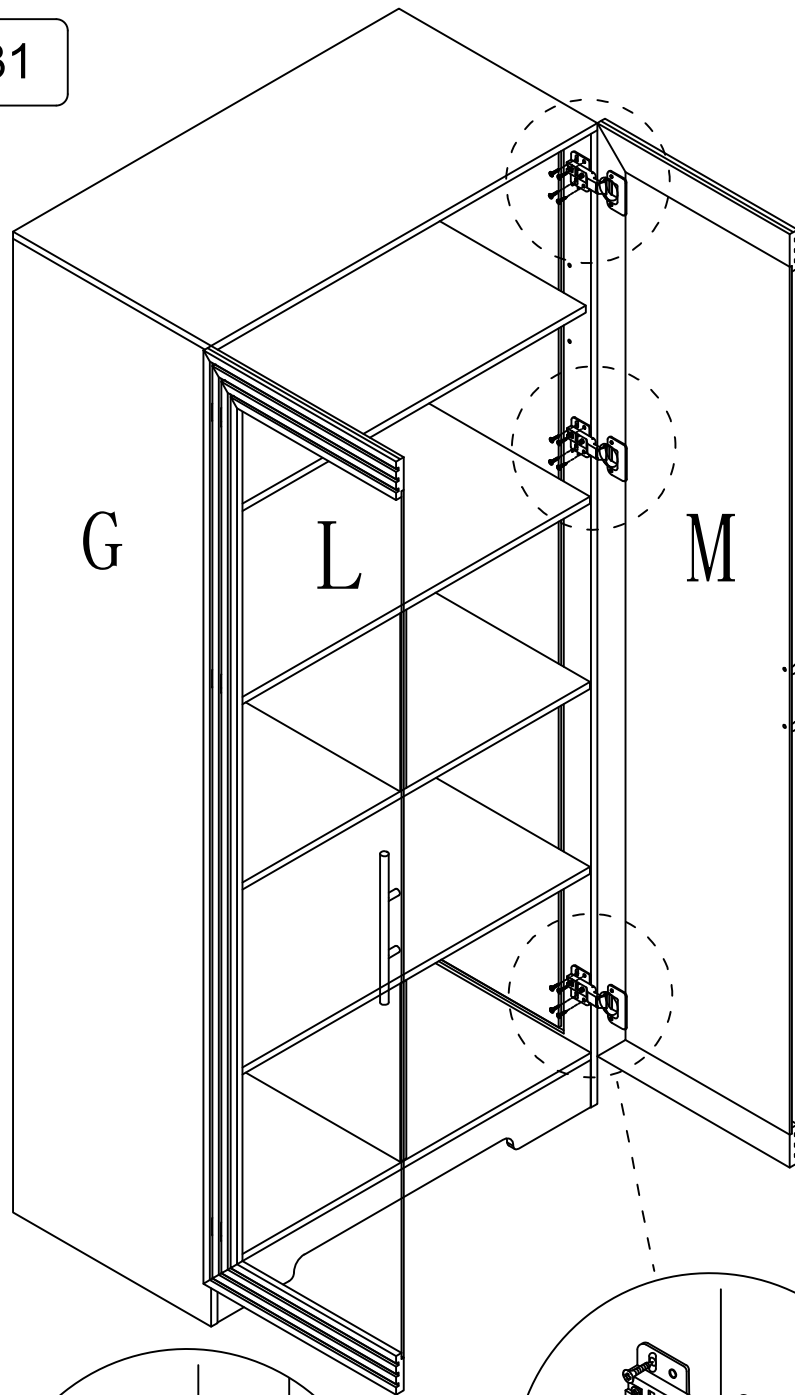
25

Step 31

6



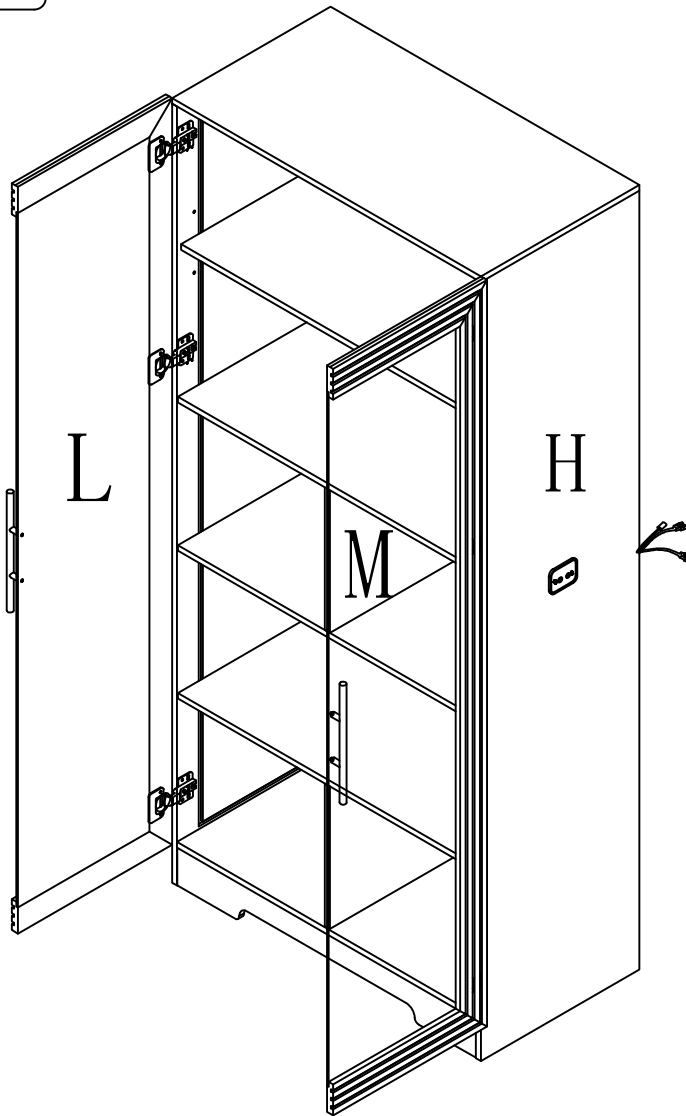
x12



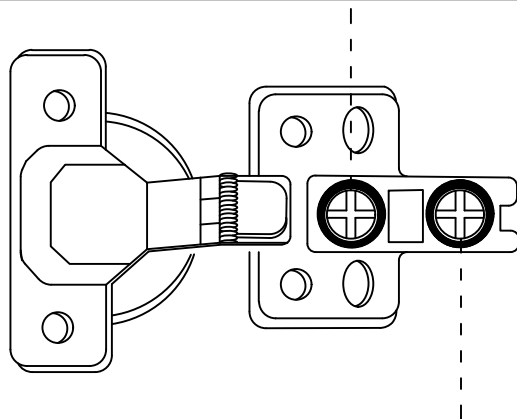
First lock the elliptical hole  
then lock the fixed hole

26

Step 32

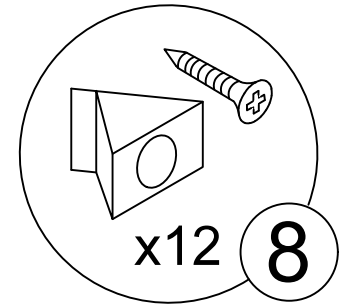
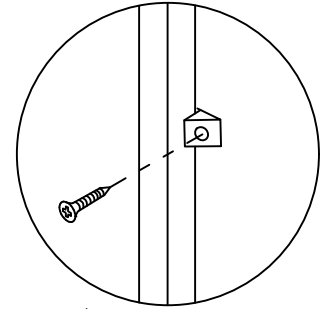
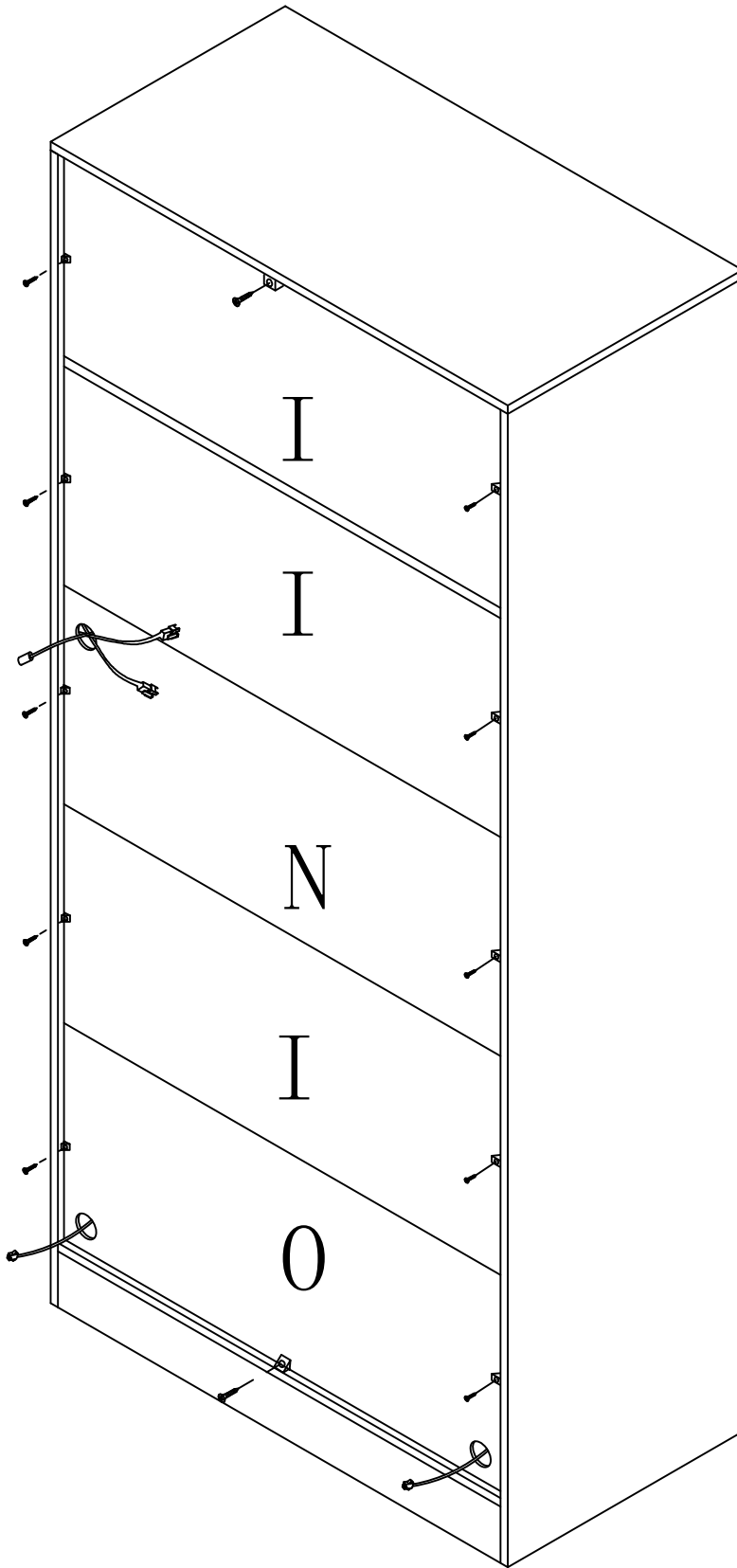
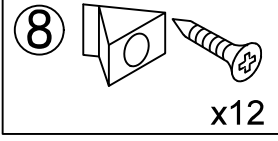


Turning this screw can effectively adjust the size of the door gap.

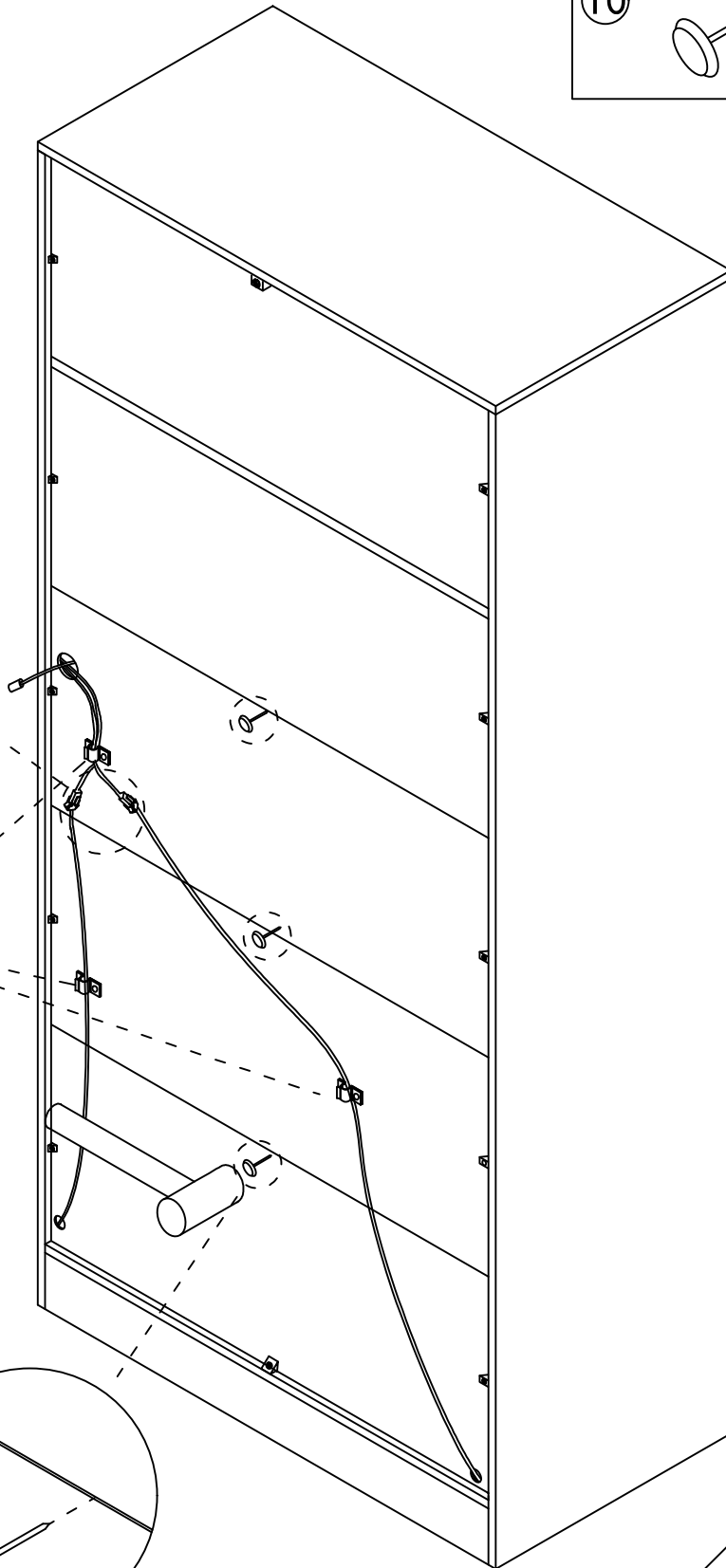
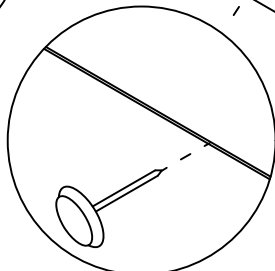
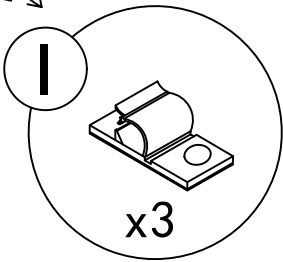
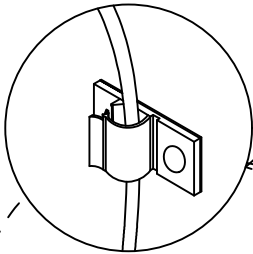
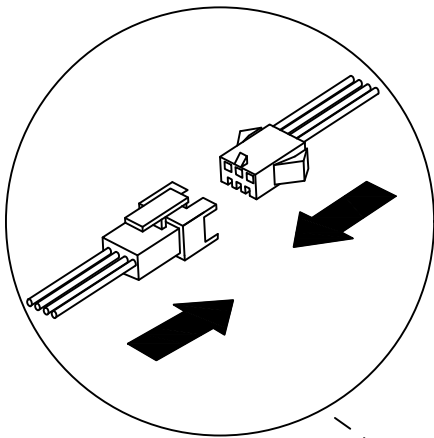
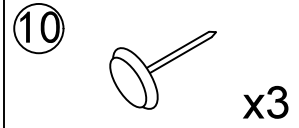


Turn this screw to adjust the door panel to be flat with the side panel.

Step 33

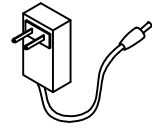


Step 34

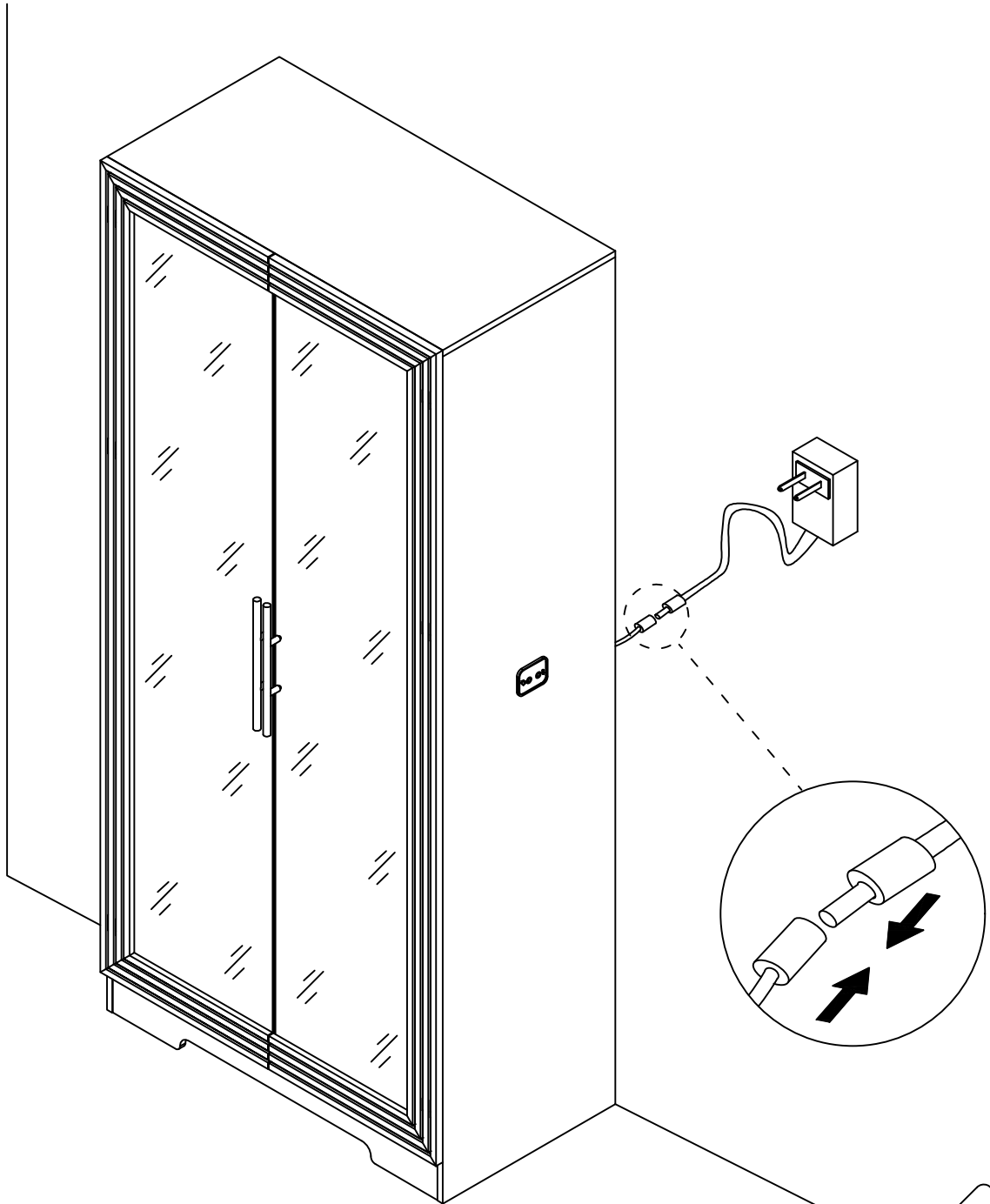


Step 35

12



x1

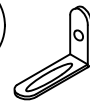


30

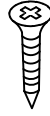
Step 36

Install as required

13



x2

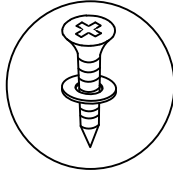


x2

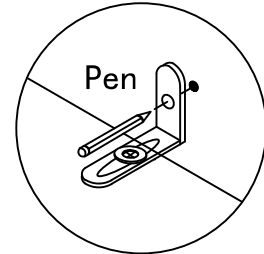
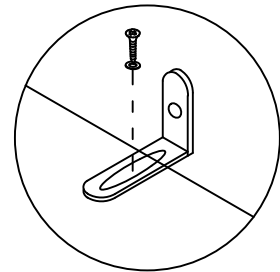
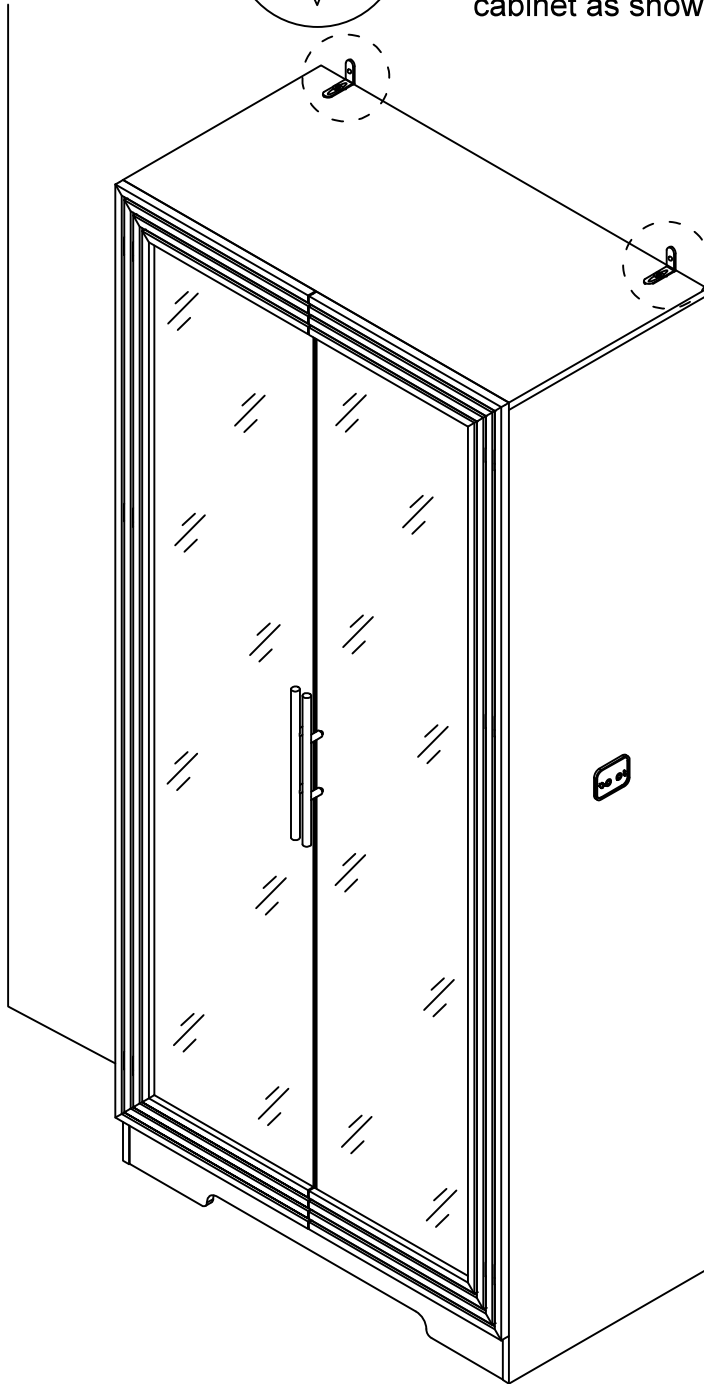


x2

3.5x14mm



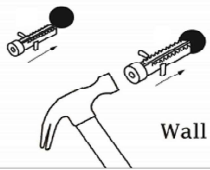
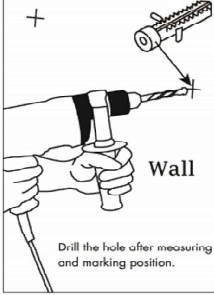
Install the anti fall hardware on the cabinet as shown in the picture first



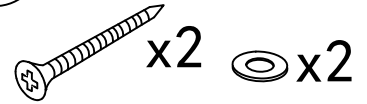
Then mark the wall with a pen through the holes in the anti-fall hardware

# Step 37

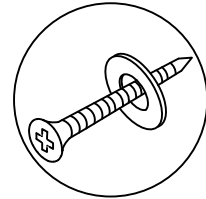
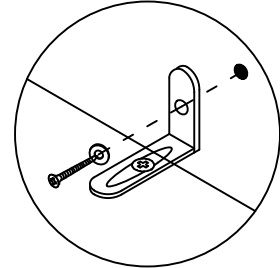
Wall Mount



13

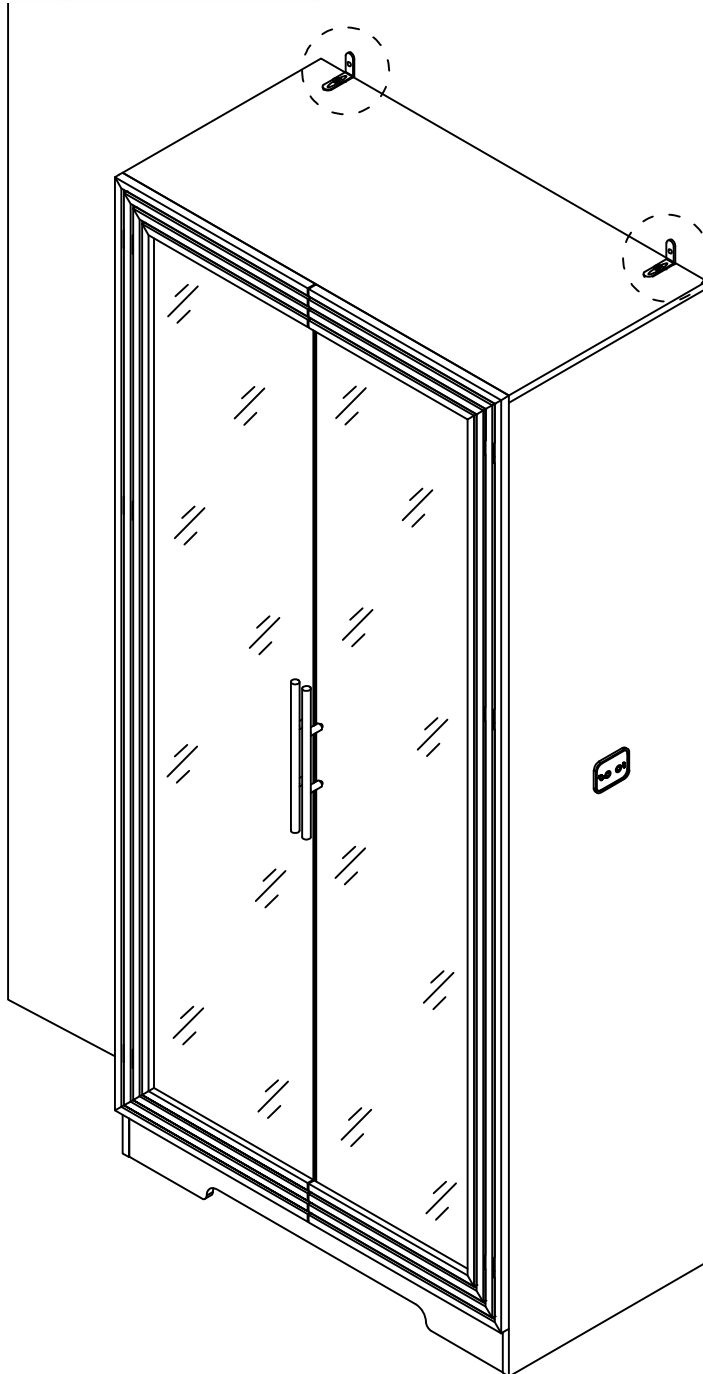


Drill the hole with an electric drill and punch in the colloidal particles



4x45mm

Fix the dressing table to the wall



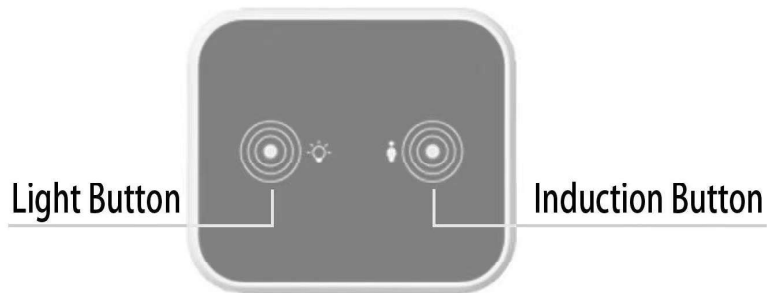
## User's Guide

Thank you for purchasing this product. To use this product, please plug it into a 12V DC power supply. Please use if the product works normally after connecting to power.

## Introduction

The box is an intelligent controller with 2 touch buttons. It can turn ON/OFF the light, change light colors, and adjust the light luminance.

## Product Show



### ATTENTION PLEASE

1. If there is no touch response suddenly, Re-plug the power to reset the touch static electricity.
2. If bubbles appear on the panel, remove the protective film.

## Operation



This touch button is used to turn on/off, change colors, and adjust brightness.

A. Short touch -> lighting on -> short touch -> change light color -> short touch -> change light color -> short touch -> lighting off. B. Long touch -> adjust the luminance



This touch button is used to turn on/off the induction function.

A. Short touch to turn on the induction function. It can auto-turn on the light when people are close to the controller in 1 meters. It can auto power off the light when the body is far away from the controller after 30 seconds.

B. Long touch to turn off the induction function.

C. Note: When you touch the light button to change the light modes, the induction function will automatically turn off. It is best to turn on this function after selecting the light color and adjusting the brightness you want.