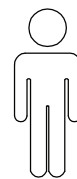
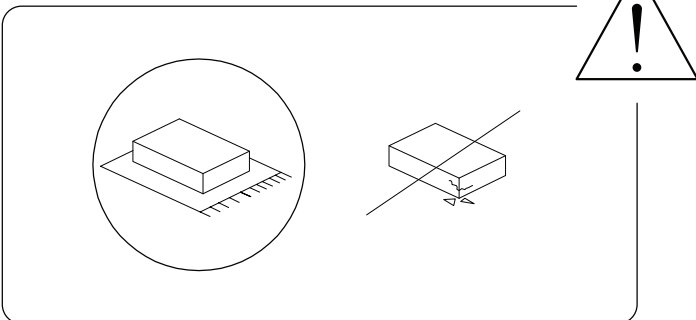
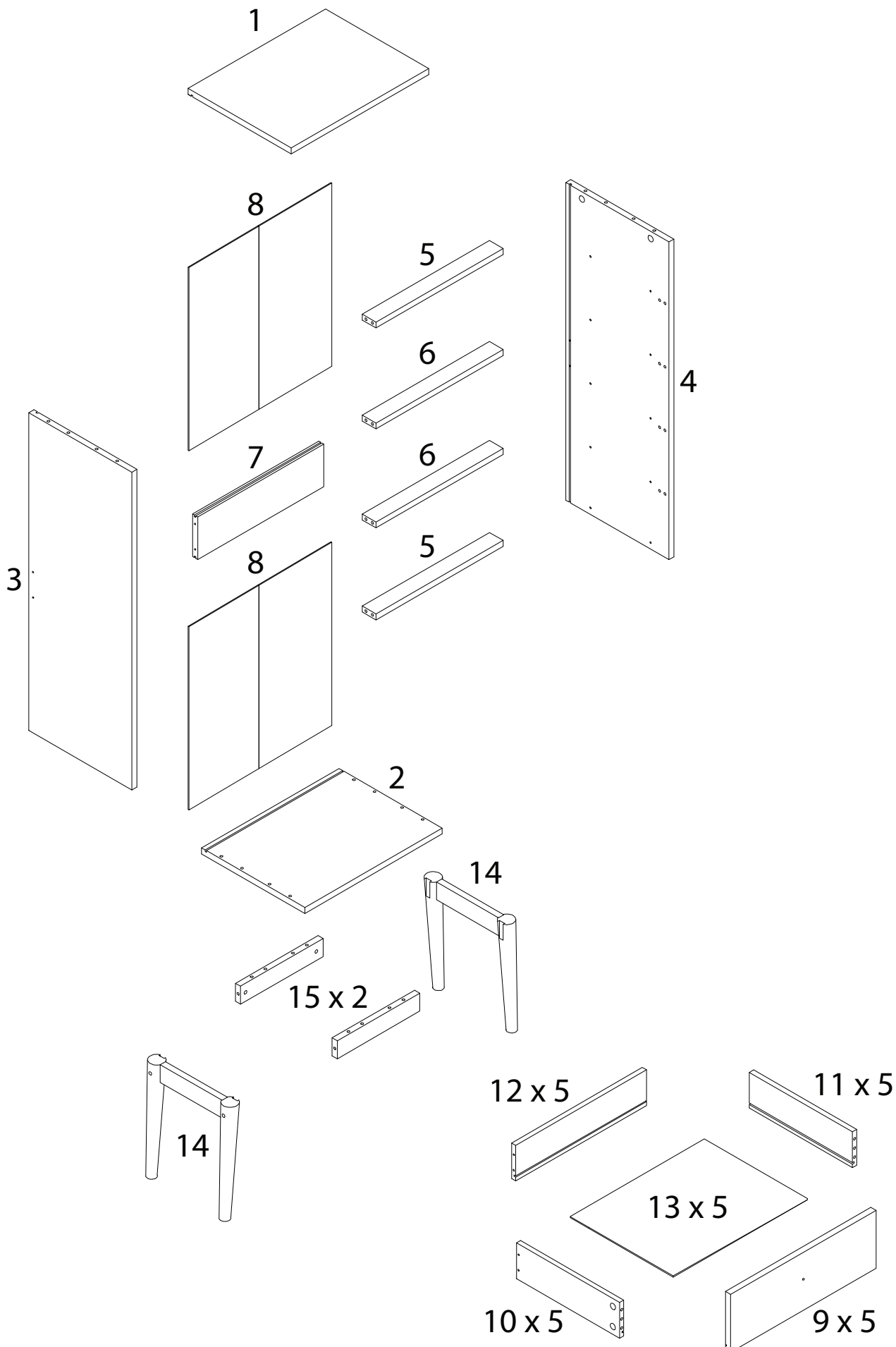


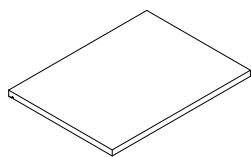
120'



1

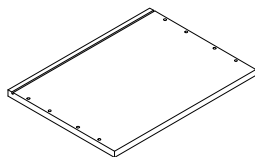


1



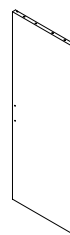
x 1

2



x 1

3



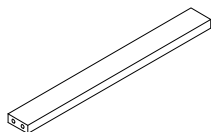
x 1

4



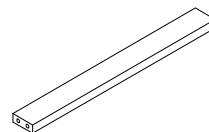
x 1

5



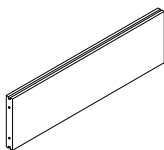
x 2

6



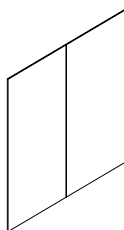
x 2

7



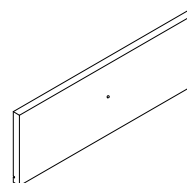
x 1

8



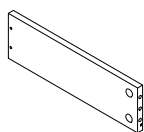
x 2

9



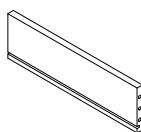
x 5

10



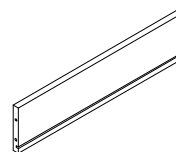
x 5

11



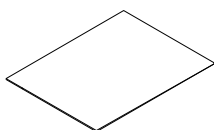
x 5

12



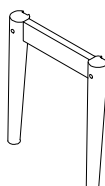
x 5

13



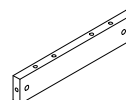
x 5

14



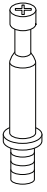
x 2

15



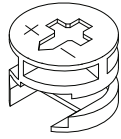
x 2

A



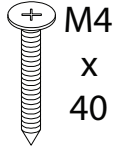
x 28

B



x 28

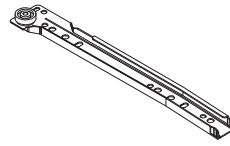
C



M4
x
40

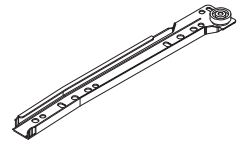
x 30

CL



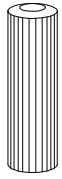
x 5

CR



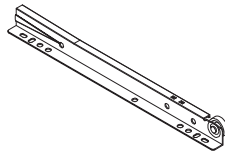
x 5

D



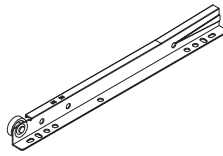
x 34

DL



x 5

DR



x 5

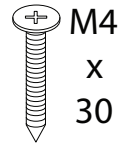
E



M3.5
x
12

x 40

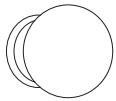
F



M4
x
30

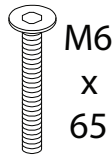
x 5

G



x 5

H



M6
x
65

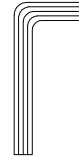
x 4

I



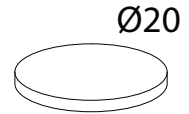
x 4

J



x 1

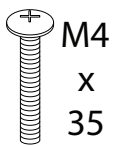
K



Ø20

x 4

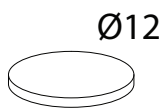
L



M4
x
35

x 8

M



Ø12

x 4

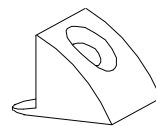
N



M3
x
14

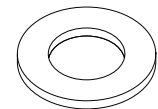
x 10

O



x 8

P



x 4

Q



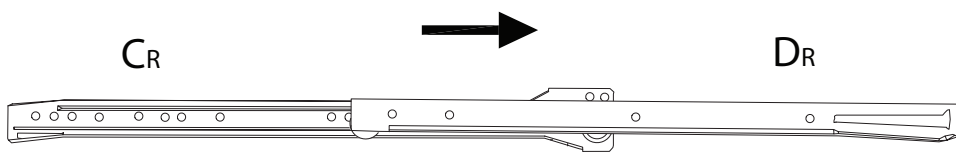
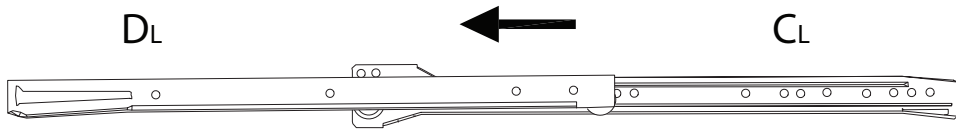
x 2

R

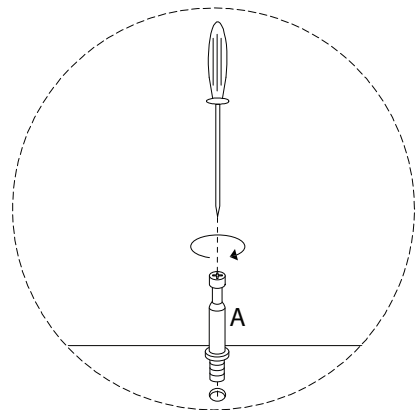
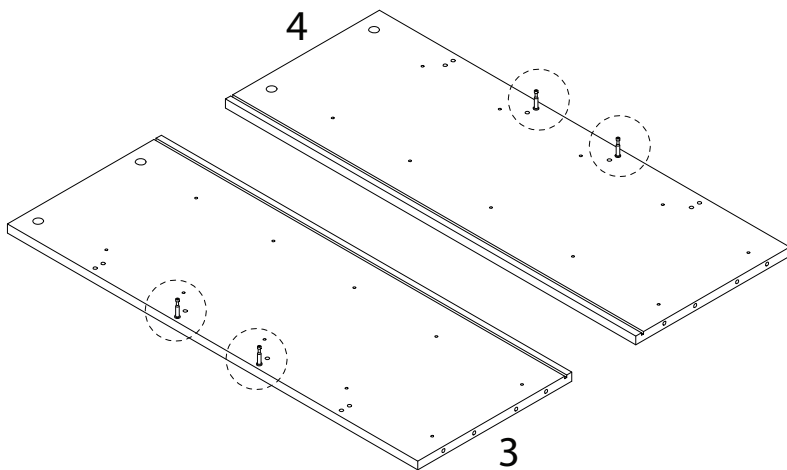
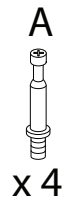
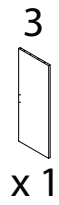


x 2

!



1

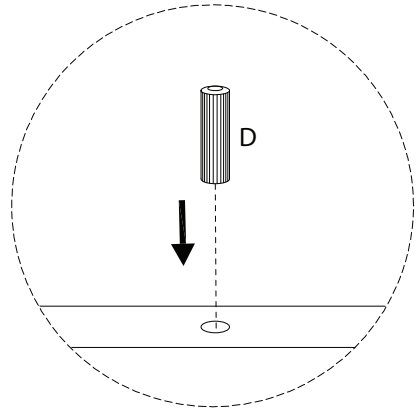
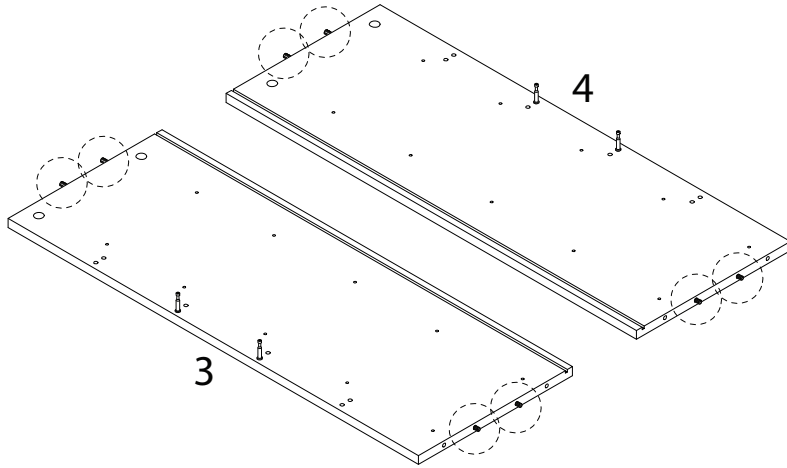


2

D

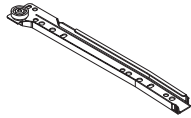


x 8



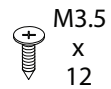
3

CL

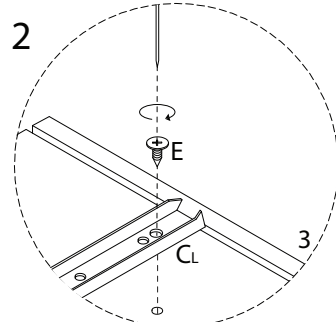
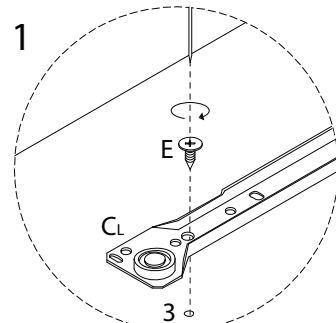
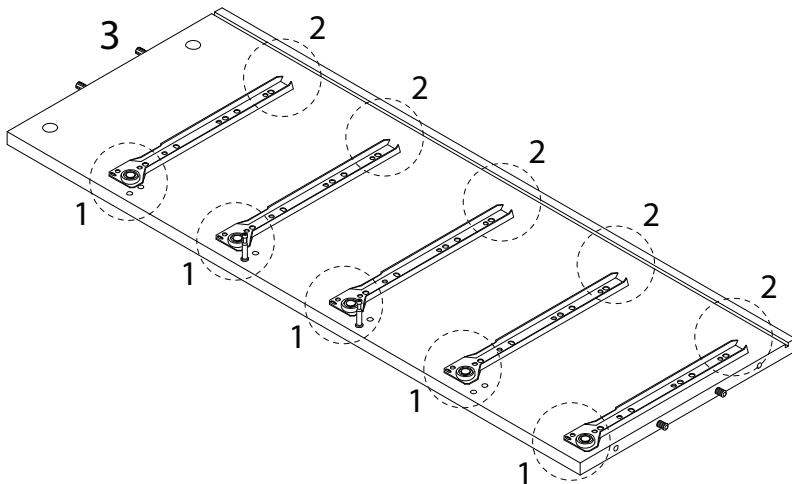


x 5

E

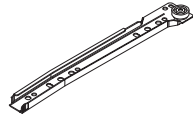


x 10



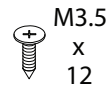
4

CR

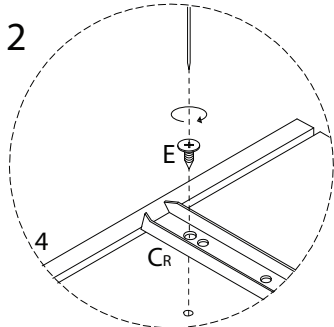
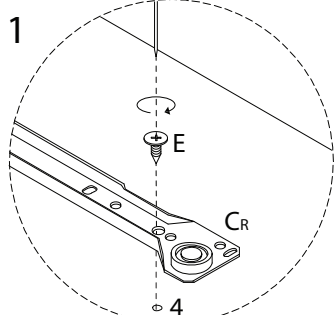
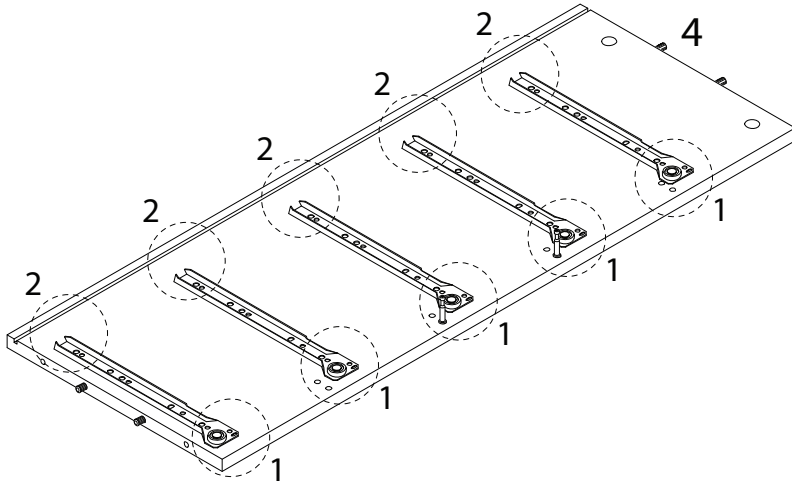


x 5

E

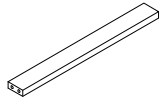


x 10



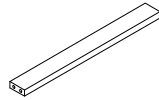
5 x 2

6



x 1

7

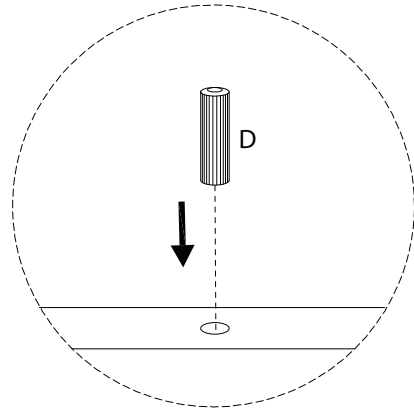
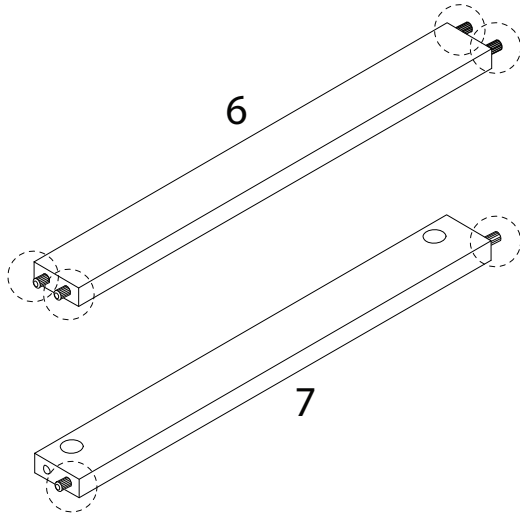


x 1

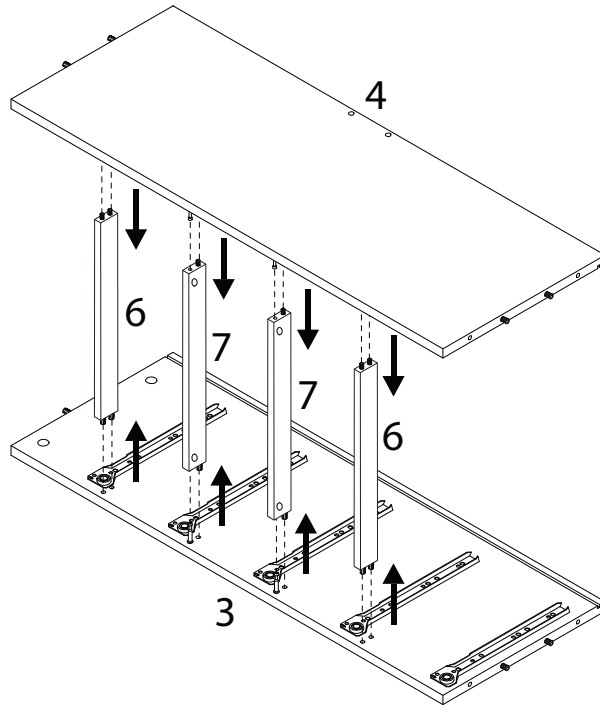
D



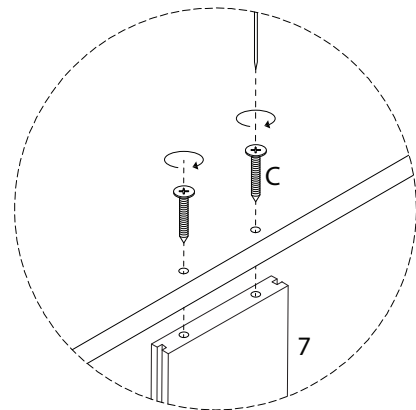
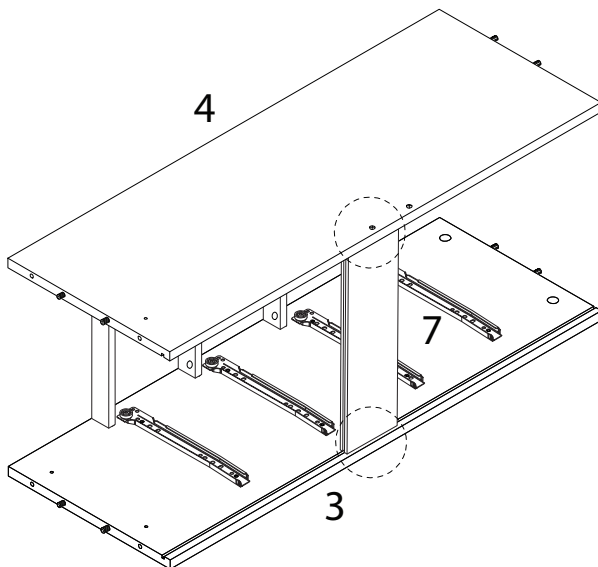
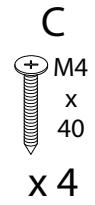
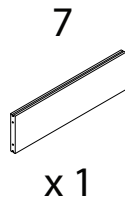
x 6



6



7

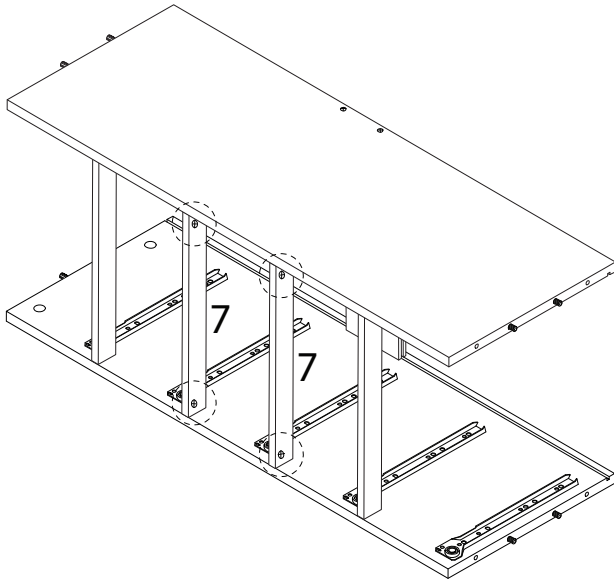


8

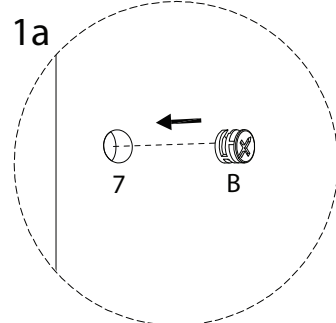
B



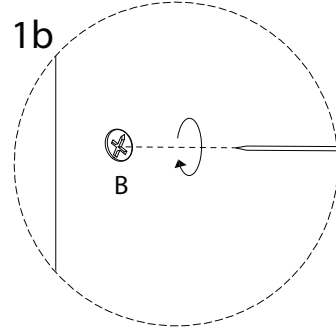
x 4



1a



1b



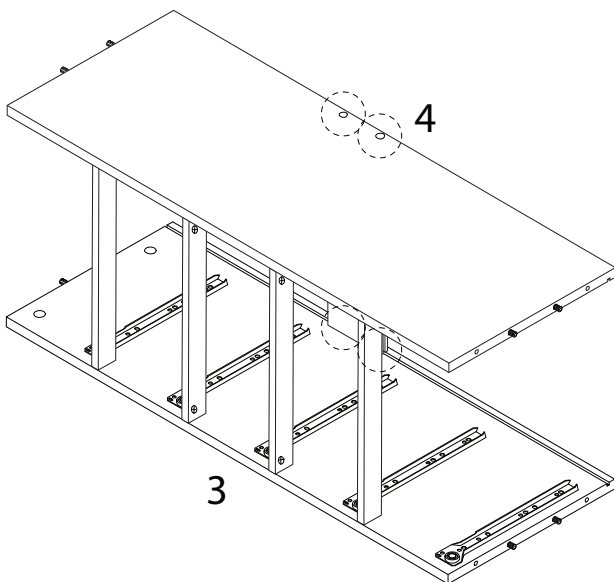
9

M

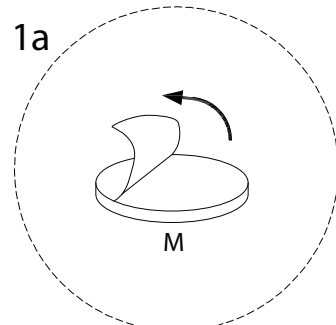
Ø12



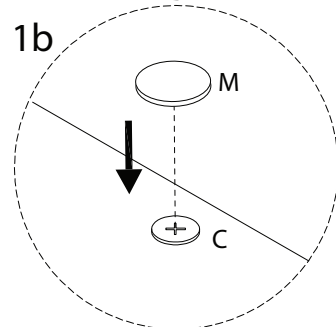
x 4



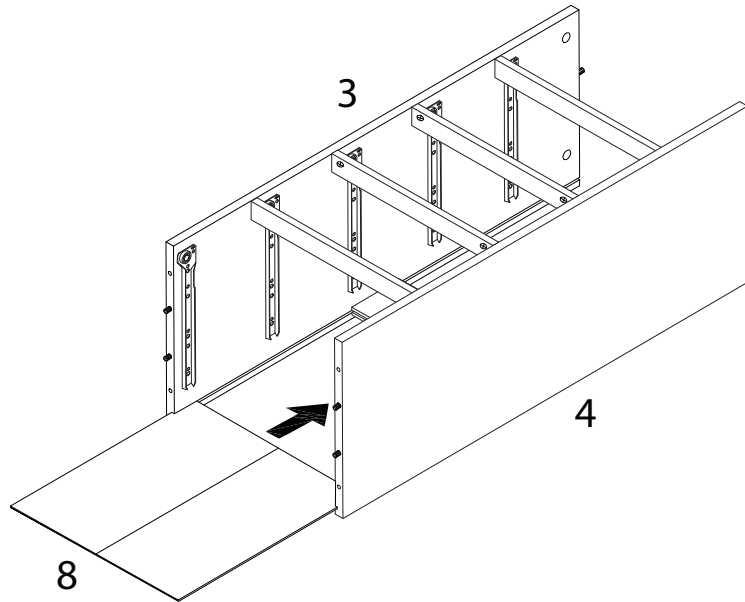
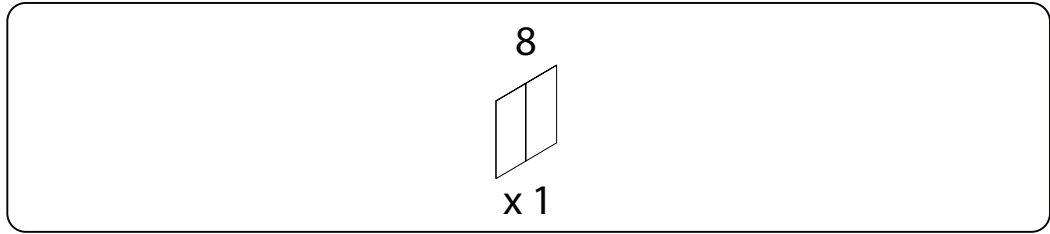
1a



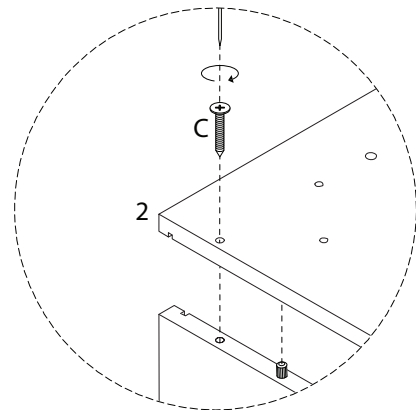
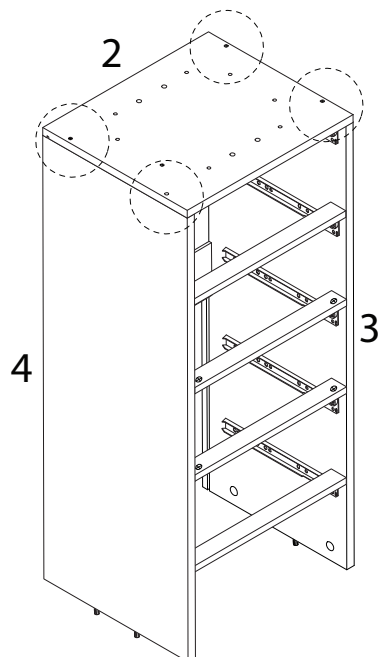
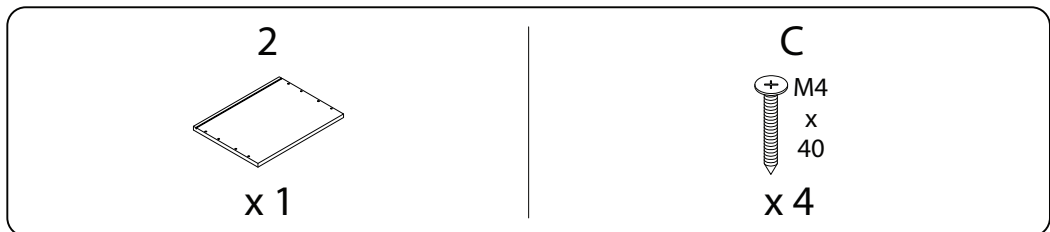
1b



10



11

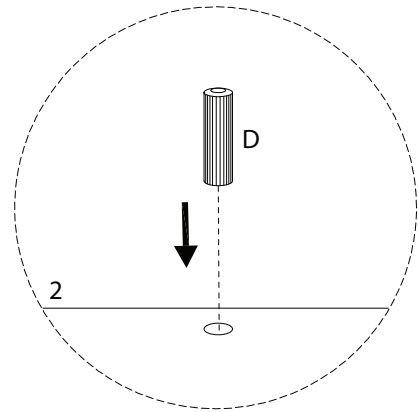
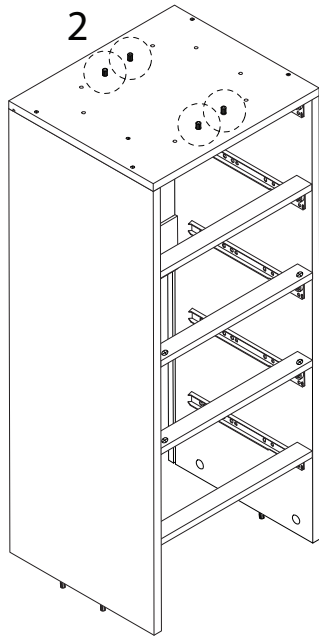


12

D

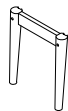


x 4



13

14



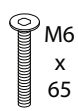
x 2

15



x 2

H



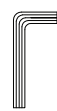
x 4

I

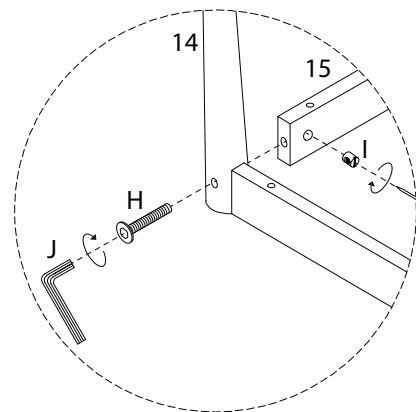
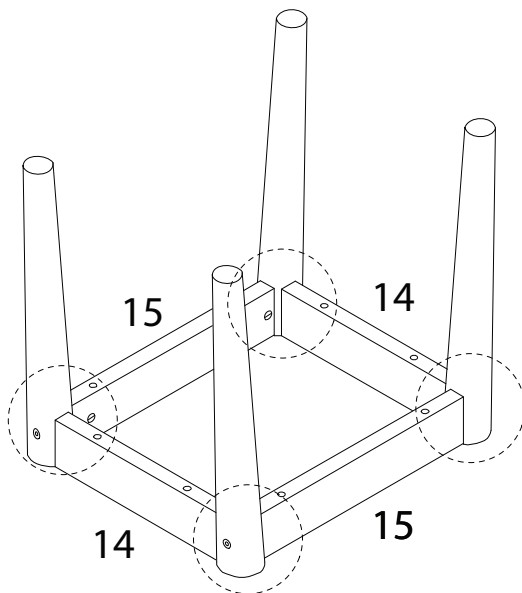


x 4

J

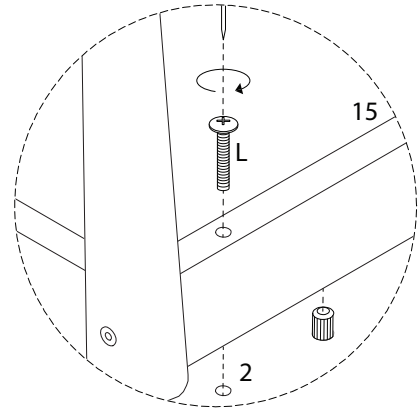
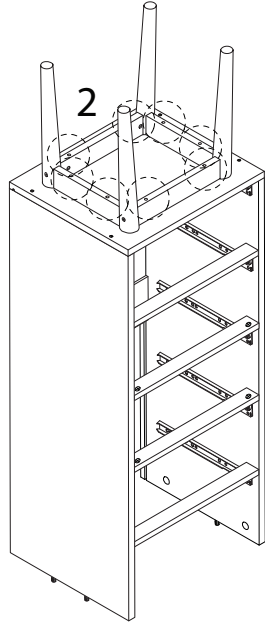


x 1



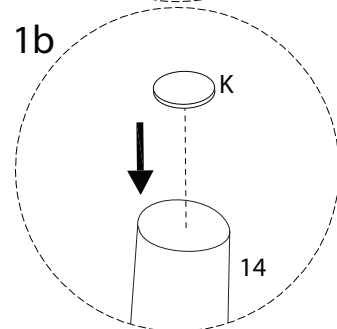
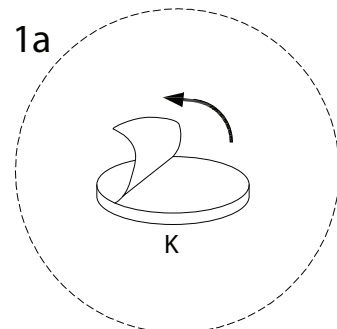
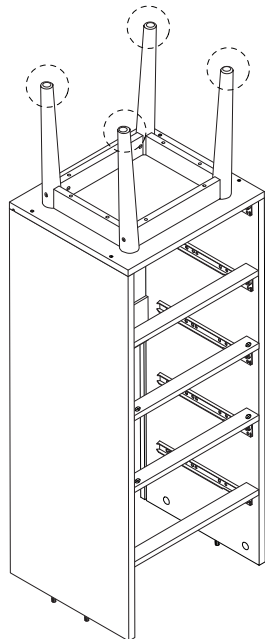
14

L
M4
x
35
x 8

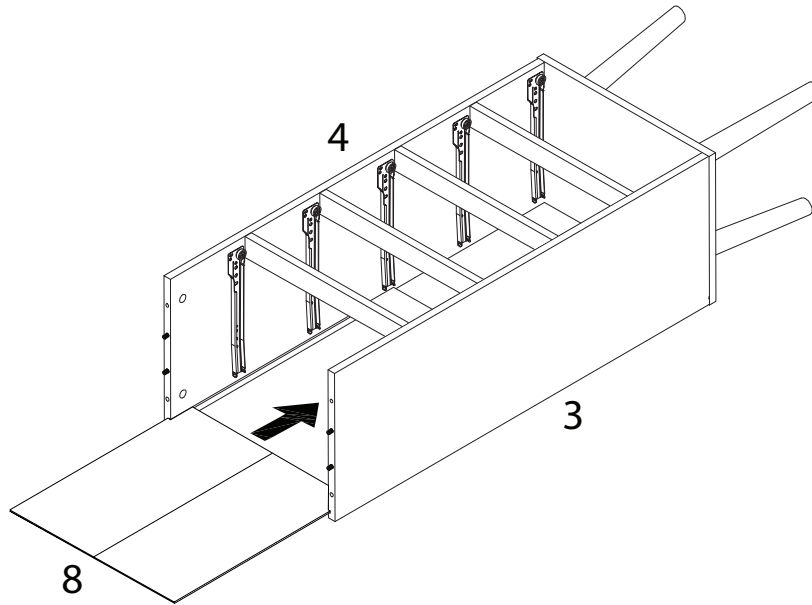
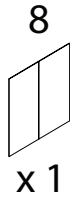


15

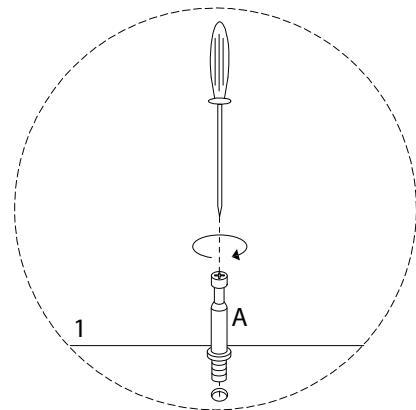
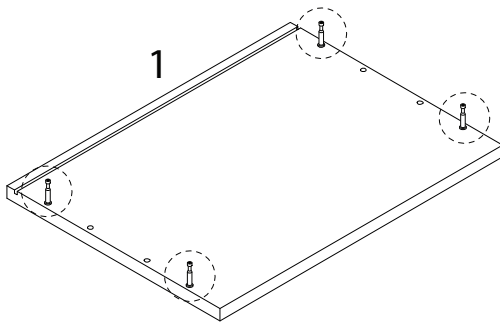
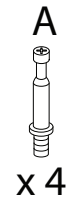
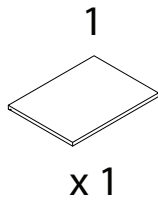
K
Ø20
x 4



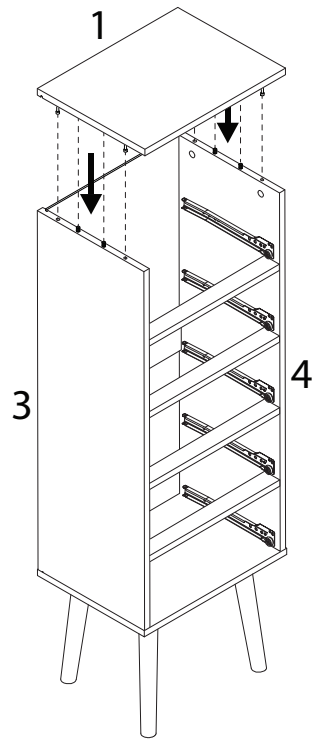
16



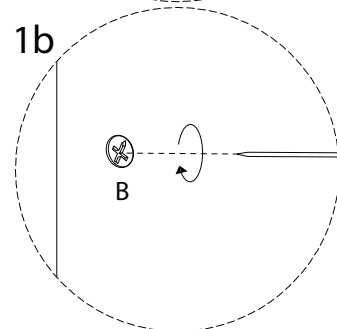
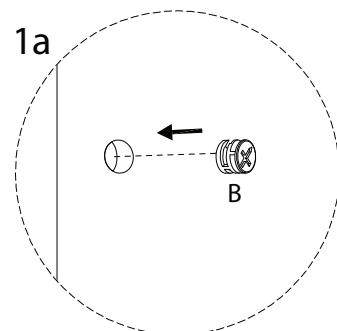
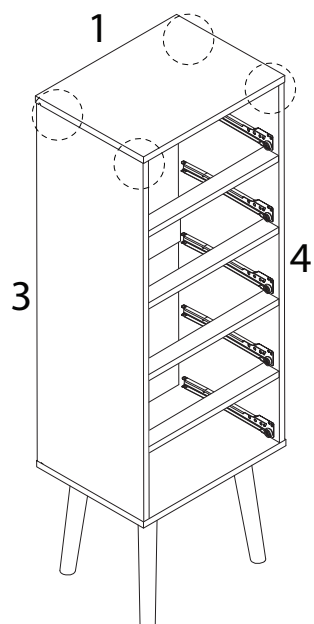
17



18



19



20 x 5

10



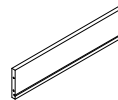
x 1

11



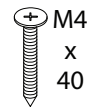
x 1

12

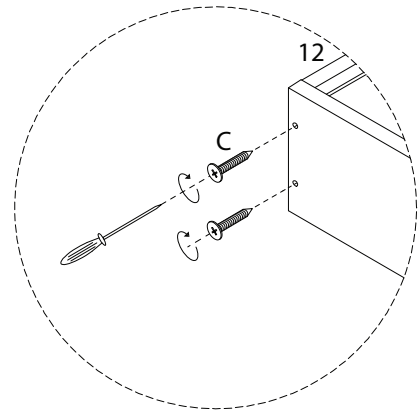
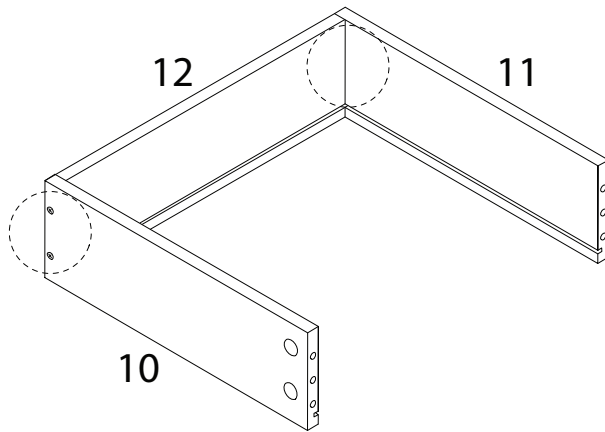


x 1

C



x 4

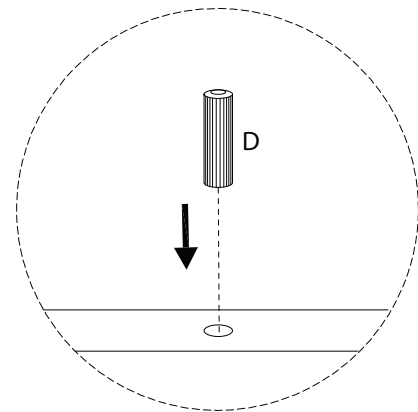
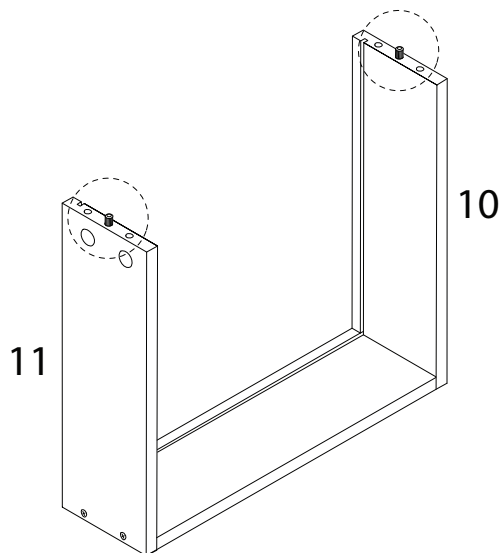


21 x 5

D

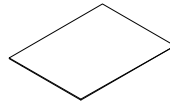


x 2

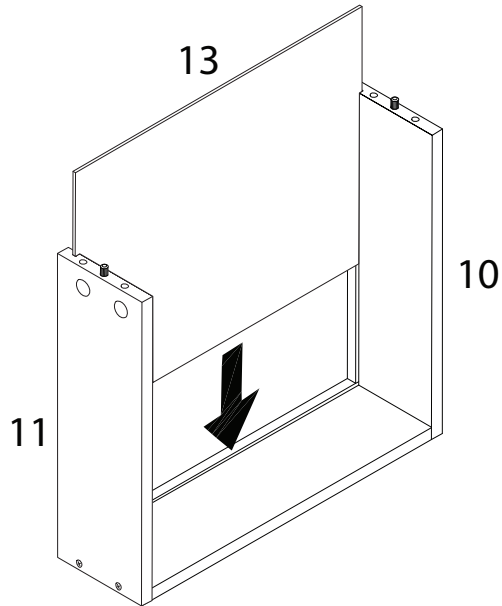


22 x 5

13

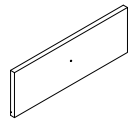


x 1



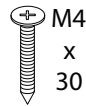
23 x 5

9



x 1

F

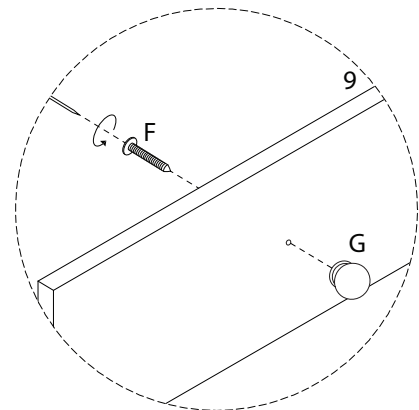
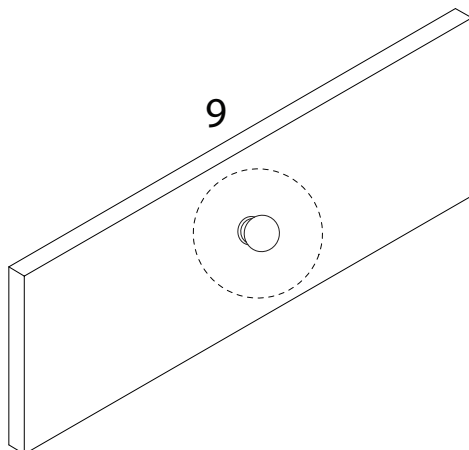


x 1

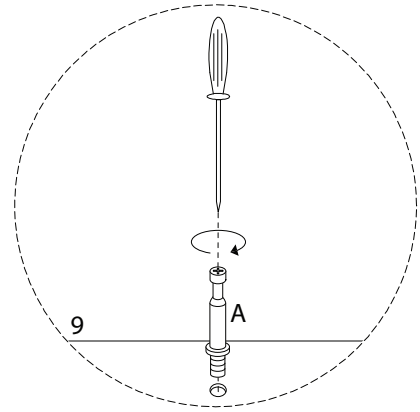
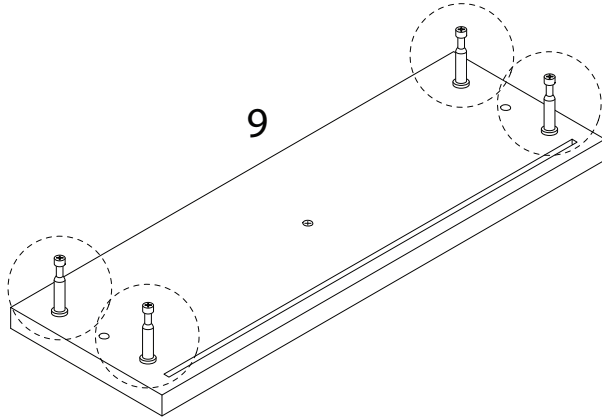
G



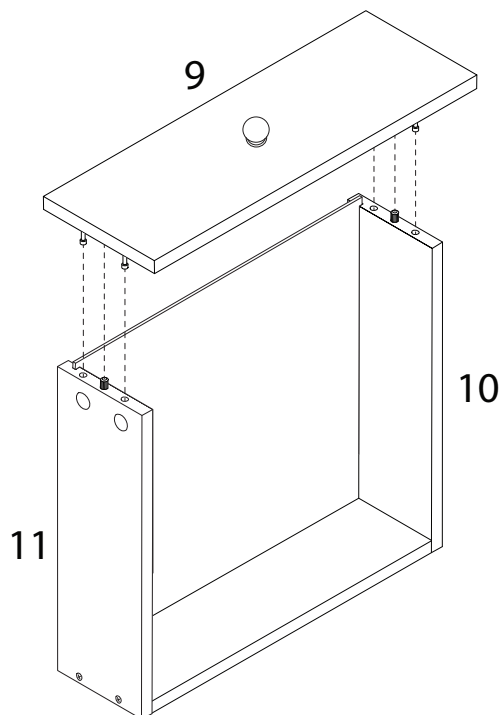
x 1



24 x 5



25 x 5

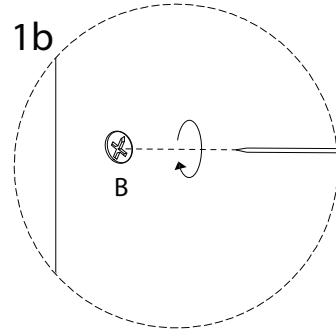
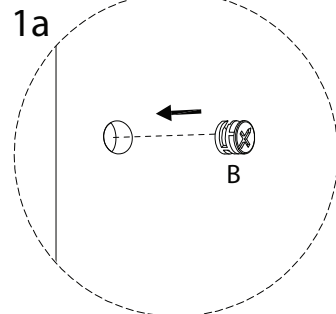
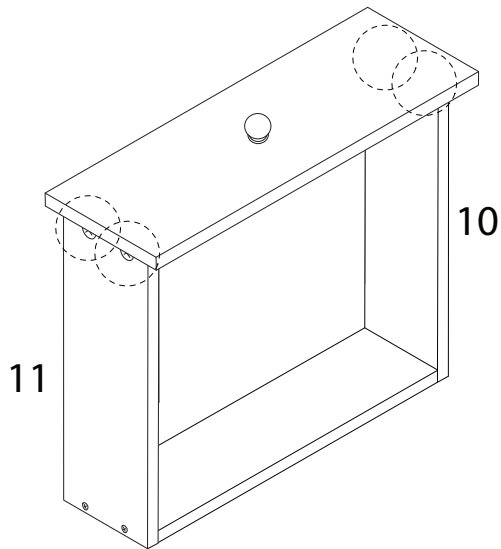


26 x 5

B

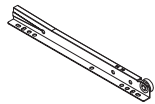


x 4



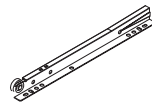
27 x 5

D_L



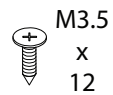
x 1

D_R

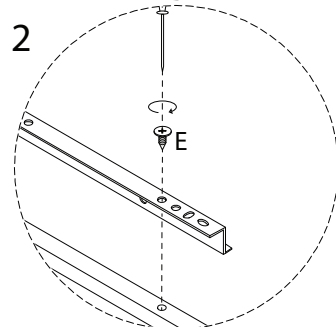
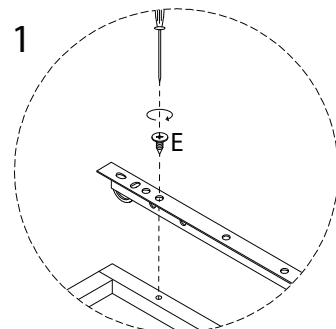
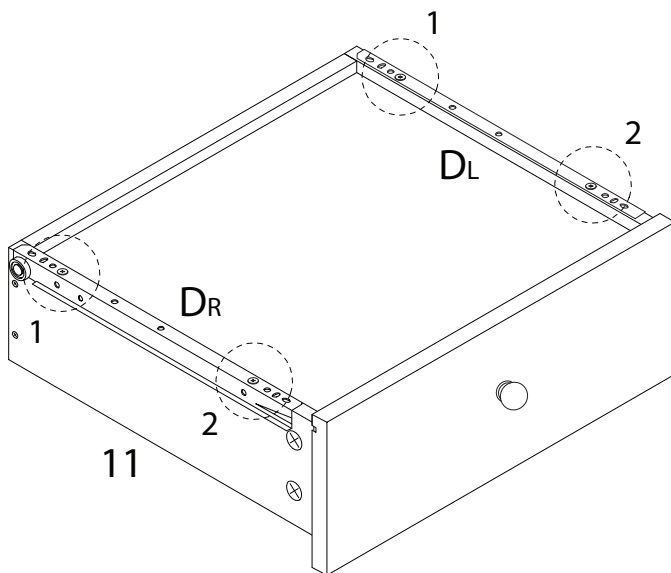


x 1

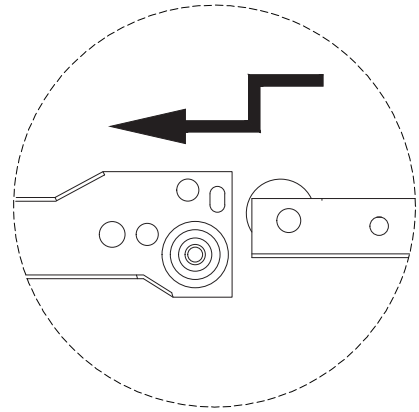
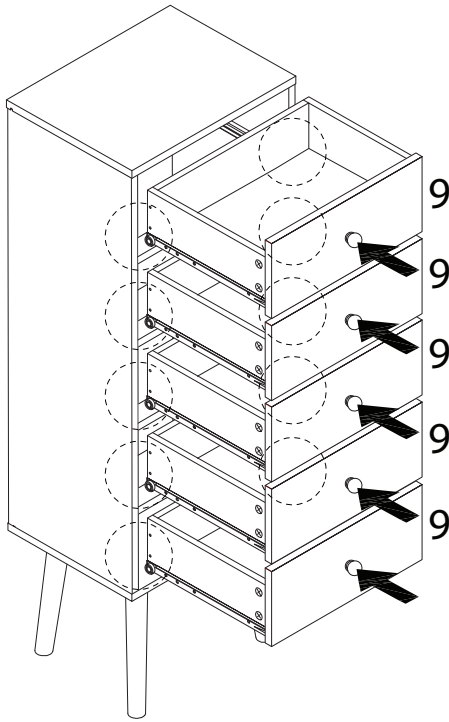
E



x 4



28



29

N

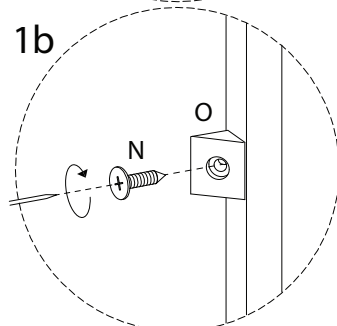
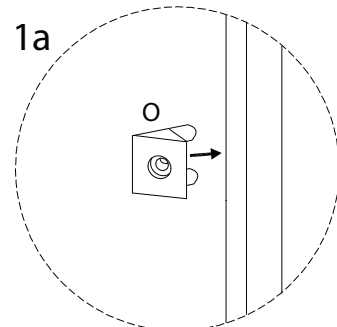
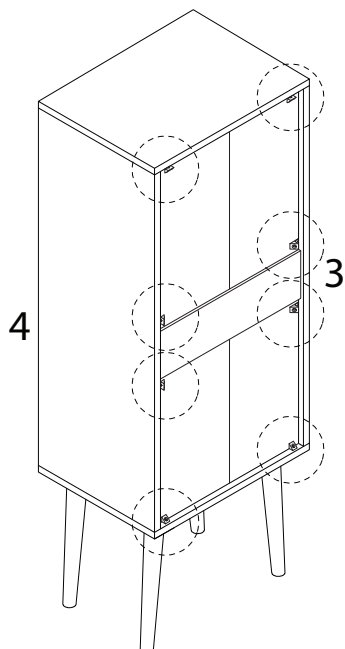


x 8

O



x 8



30

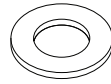
N



x 14

x 2

P



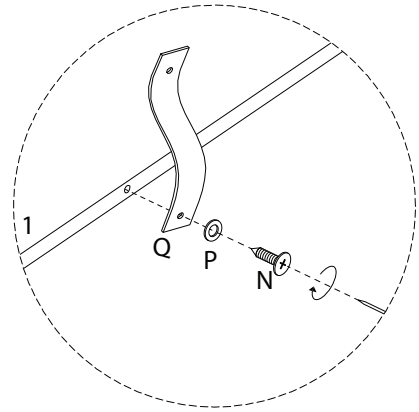
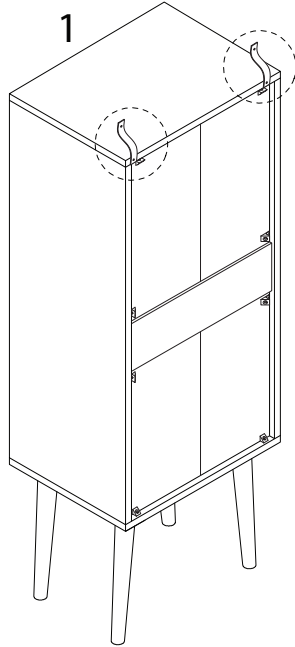
x 2

Q



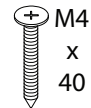
x 2

1



31

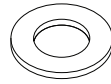
C



x 40

x 2

P

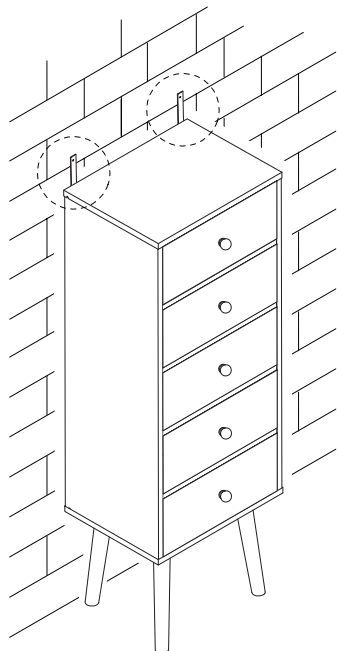


x 2

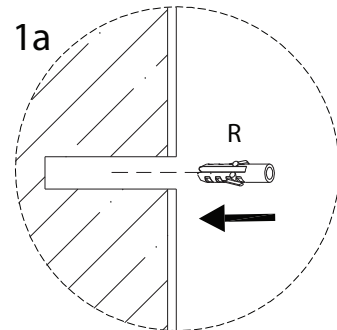
R



x 2



1a



1b

