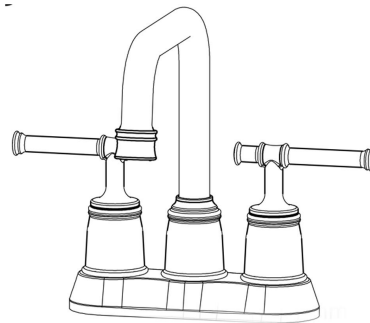
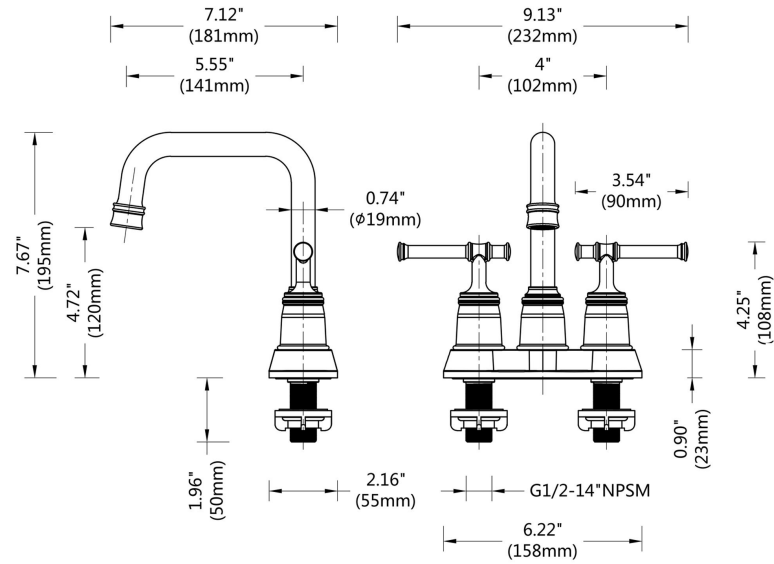


# Dimension/Specification



SKU No. 3008