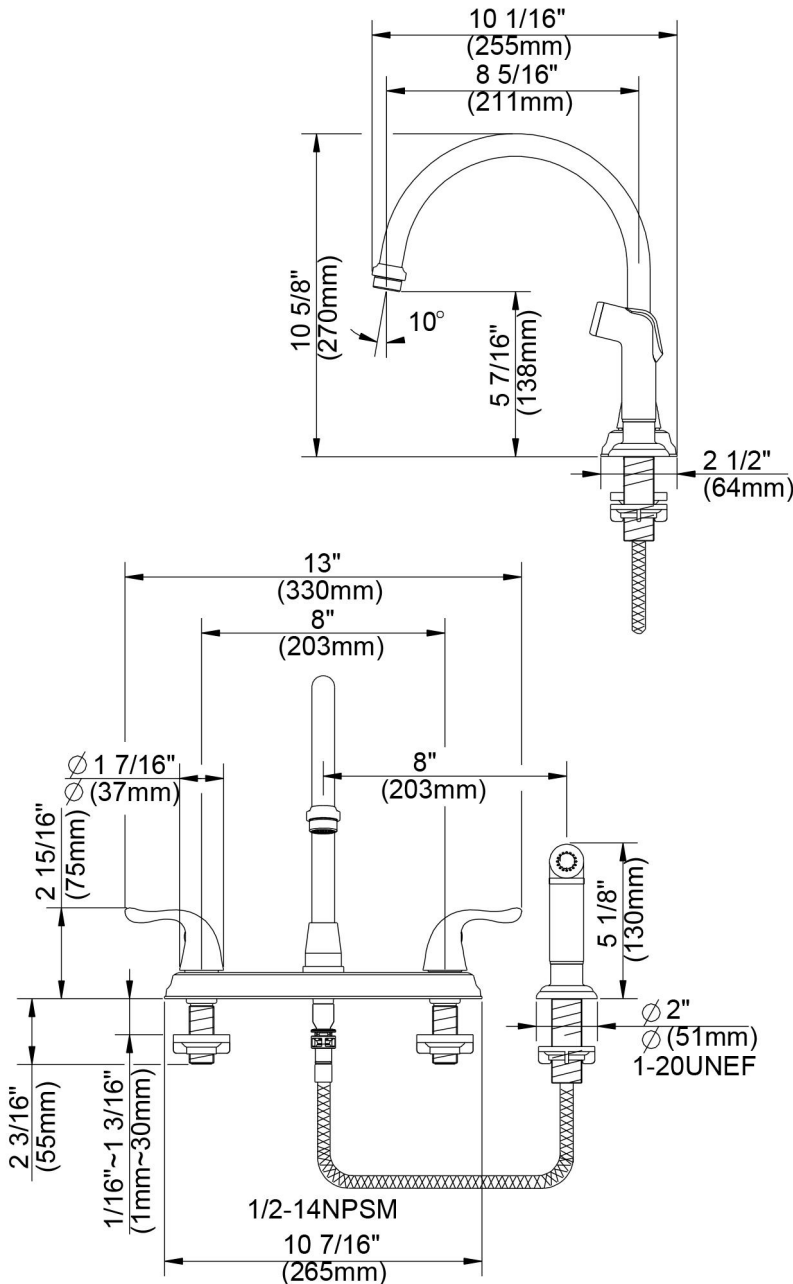


TWO HANDLE CENTERSET

KITCHEN

Features:

- Metal lever handle
- Washerless cartridge
- Hybrid body
- Matching finish side spray
- Max Flow Rate: 1.8 gpm (6.8 L/min) at 60 psi
- 8" centerset
- 4 hole installation
- Water saving aerator



Impressions Collection



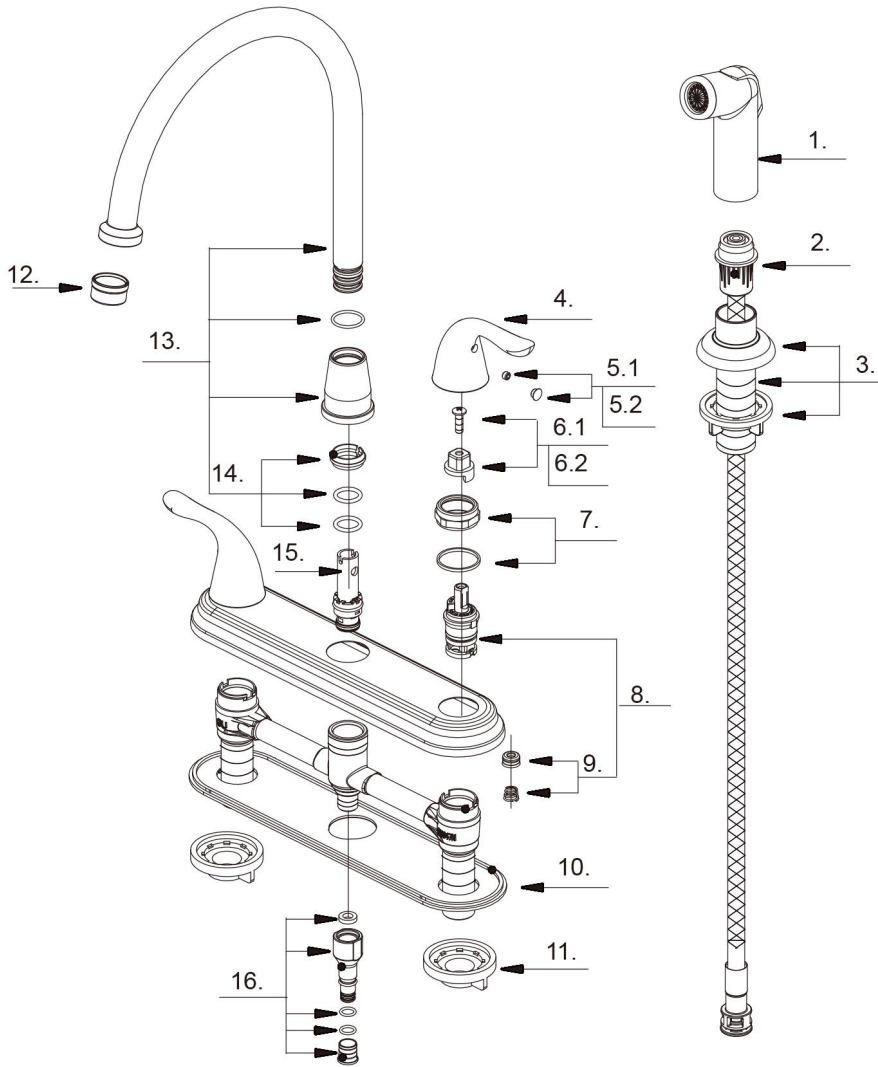
A-92010-black
Matte Black Finish

A-92010-N
Brushed Nickel finish

A-92010-C
Polished Chrome Finish

TWO HANDLE CENTERSET

KITCHEN



Impressions Collection



A-92010-black
Matte Black Finish

A-92010-N
Brushed Nickel finish

A-92010-C
Polished Chrome Finish

1	Pull Out Spray Head 2.2gpm	A503002N-T
2	Spray Hose	A512139N
3	Spray Holder Assembly(3-15/16" L)	A220008
4	Metal Handle	A069115
5.1	Index Button-Cold	A603595C
5.2	Index Button-Hot	A603595H
6.1	Handle Adaptor-Cold	A66G559C
6.2	Handle Adaptor-Hot	A66G559H
7	Retainer Nut Assembly	A663631
8	Washerless Cartridge Assembly	A66D636N
9	Seats and Springs	A663002
10	Putty Plate	A011003
11	Lock Nut Set	A504023
12	Aerator 1.8gpm	A500196N-64-P
13	Spout Assembly	A666125N
14	Spout Seal Kit	A663044N
15	Spray Diverter w/Vacuum Breaker	A66G391
16	Sealing kit	A66G352N