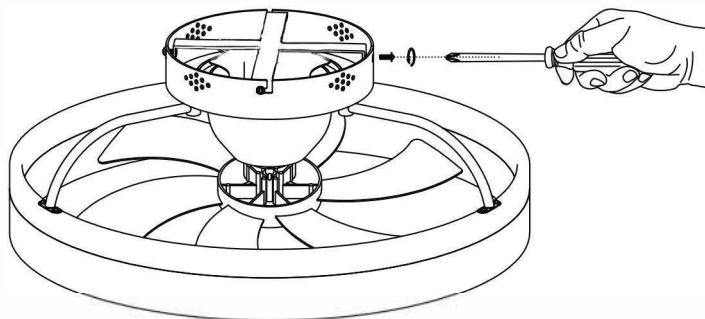


Installation Step 1 (Mount the Bracket)



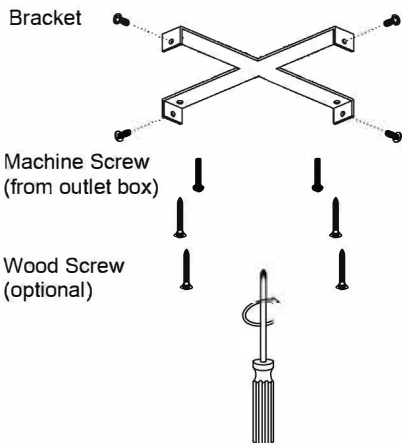
Loosen screws from the canopy (don't take off), take out the bracket from the canopy.

With Outlet Box: Fix the bracket onto the outlet box with screws from the outlet box, fix the cross bar of the bracket onto to the ceiling with 4 wood screws.

Without Outlet Box: Fix the cross bar onto the solid wood structure with 4 wood screws.

Option 1

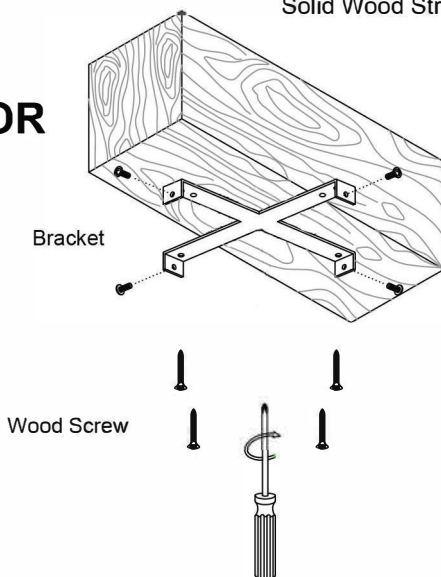
Outlet Box



Option 2

Solid Wood Structure

OR



2.4G DC Fan Lamp Controller Specifications

Product Introduction:

This product uses 2.4G wireless digital remote control technology, remote control one-to-one control, simple and convenient operation, strong anti-interference ability.

Technical Parameters:

Model: 2.4G AC fanlight controller

Wall switch sequence:

full light/white light/yellow light

Input voltage:

AC100V-130V 50/60Hz

Output voltage:DC70-110V

LED output power: 25-36W

Motorrted power:<25W

ed:1-6 gears

hour/2 hours

Recewving method:RF2.4G

Remote control distance: 8-20 meters

Remote control battery:No.7 1.5VX2

Remote control matching code:

Turn on the power and Press and hold the light pairing key within 5 seconds of the light on,When you hear a beep or a light flashes,the code mat ch is successful .If you need to match the code a second time,you need to wait 30 seconds before turning on the power and repeat the above operation.

CAUTION:

The electronic switch is not an isolated product and needs to be operated by professional personnel during installation

The electronic switch is triggered by the remote control,and the wireless frequency of the remote control transmitter is

2.4GHz.

