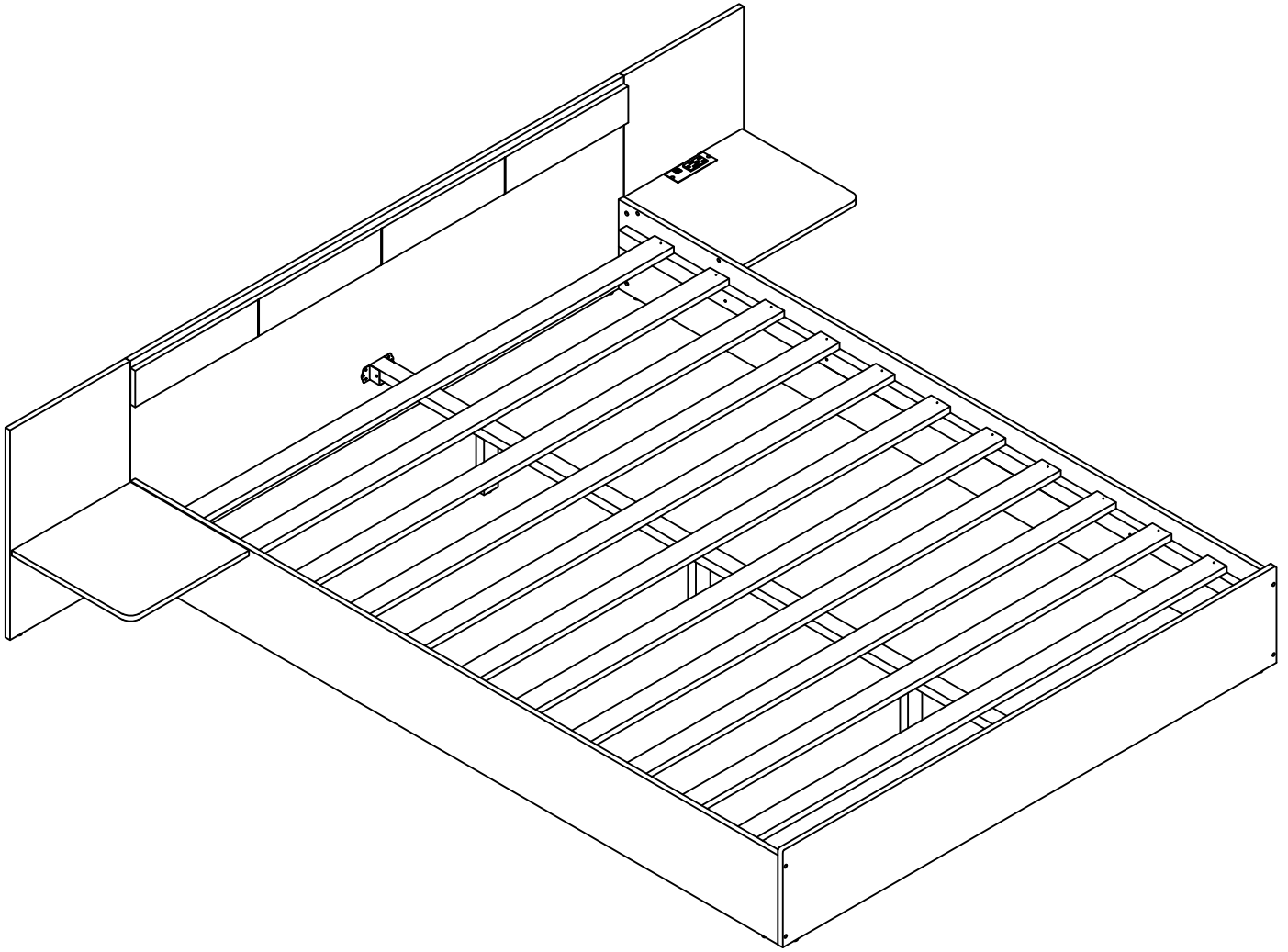
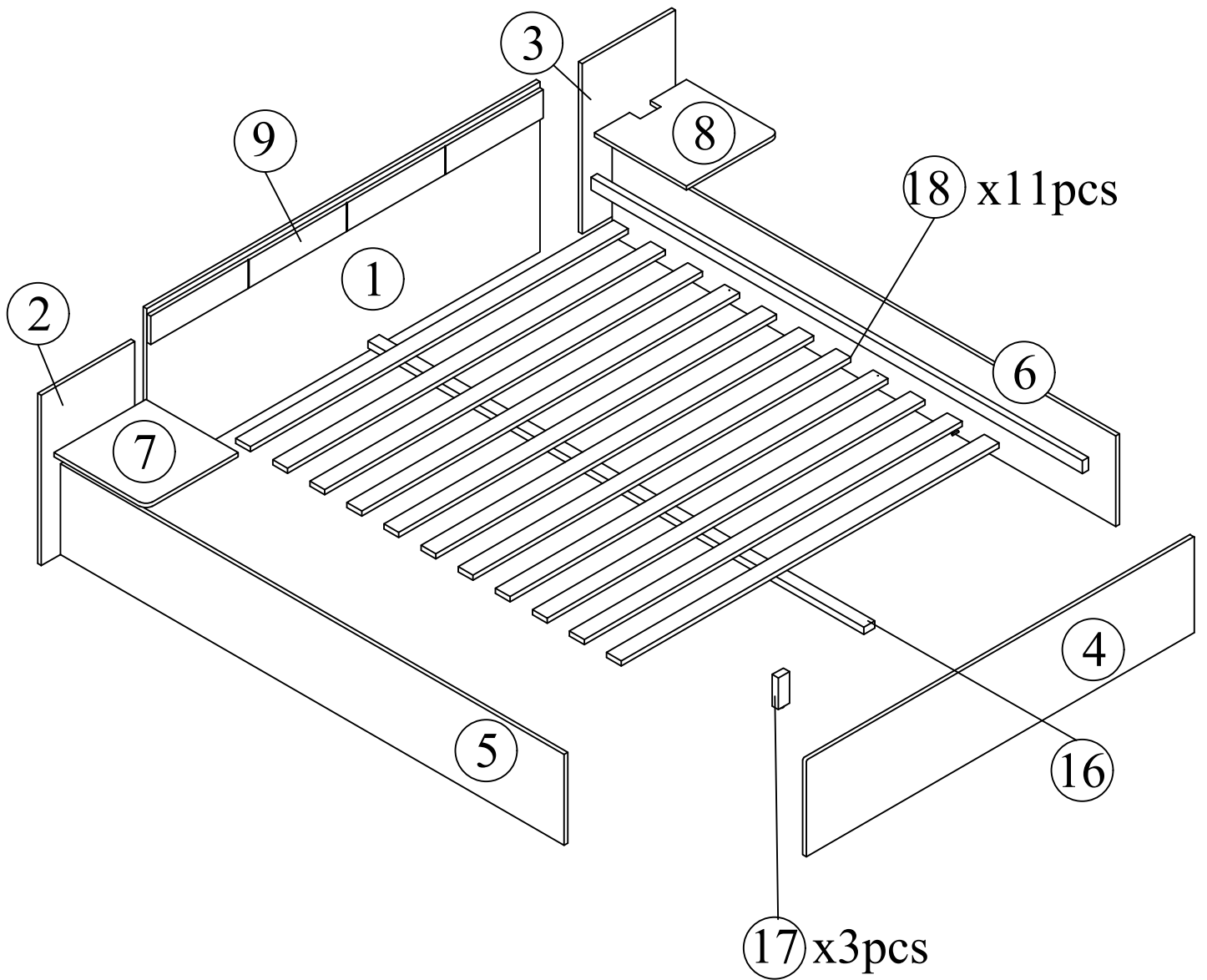
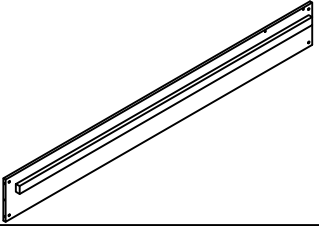
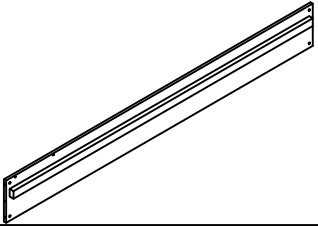
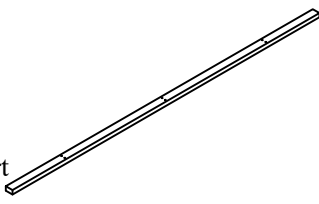

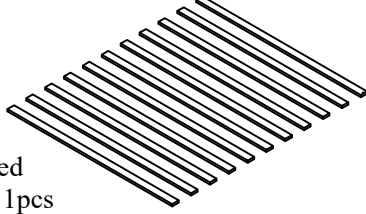


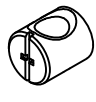
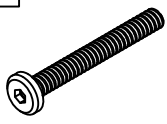
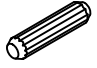
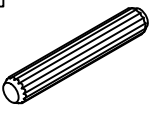



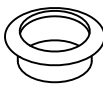
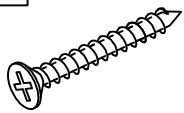
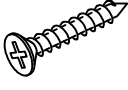
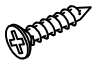



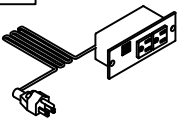

ASSEMBLY INSTRUCTIONS

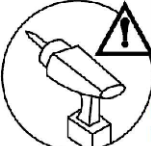


ASSEMBLY INSTRUCTIONS

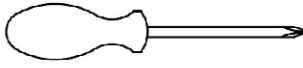


<p>5</p>  <p>Left Side Panel = 1pc</p>	<p>6</p>  <p>Right Side Panel = 1pc</p>	<p>16</p>  <p>Center Support LVL = 1pc</p>
<p>17</p>  <p>Support Leg LVL = 3pcs</p>	<p>18</p>  <p>LVL Bed Slat = 11pcs</p>	

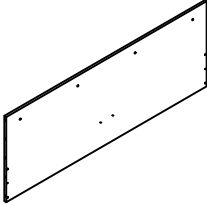
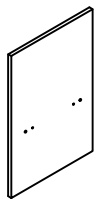
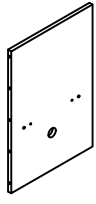
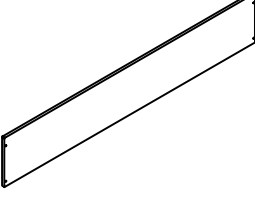
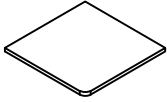
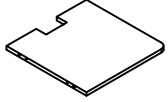
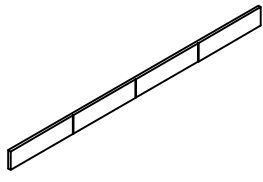
<p>A</p>  <p>Steel Nut M6 x 10mm 16pcs</p>	<p>B</p>  <p>JCBC SCREW M6 x 50mm 16pcs</p>	<p>C</p>  <p>WOOD DOWEL M6 x 25mm 12pcs</p>	<p>D</p>  <p>WOOD DOWEL M8 x 50mm 4pcs</p>	<p>E</p>  <p>CAM NUT 15mm 12pcs</p>	<p>F</p>  <p>DOUBLE END BOLT 6pcs</p>
<p>G</p>  <p>PVC NAIL 5/8" 12pcs</p>	<p>H</p>  <p>WIRE CAP 35mm 1pc</p>	<p>I</p>  <p>CSK SCREW M4 x 65mm 6pcs</p>	<p>J</p>  <p>CSK SCREW M4 x 38mm 22pcs</p>	<p>K</p>  <p>CSK SCREW M3.5 x 16mm 18pcs</p>	<p>L</p>  <p>ALLEN KEY 1pc</p>
<p>M</p>  <p>SLAT BRACKET HC 021 2pcs</p>	<p>N</p>  <p>M6 x 20mm Glider 3pcs</p>	<p>O</p>  <p>USA SOCKET 1pc</p>	<p>P</p>  <p>JCBC SCREW M6 x 25mm 4pcs</p>		



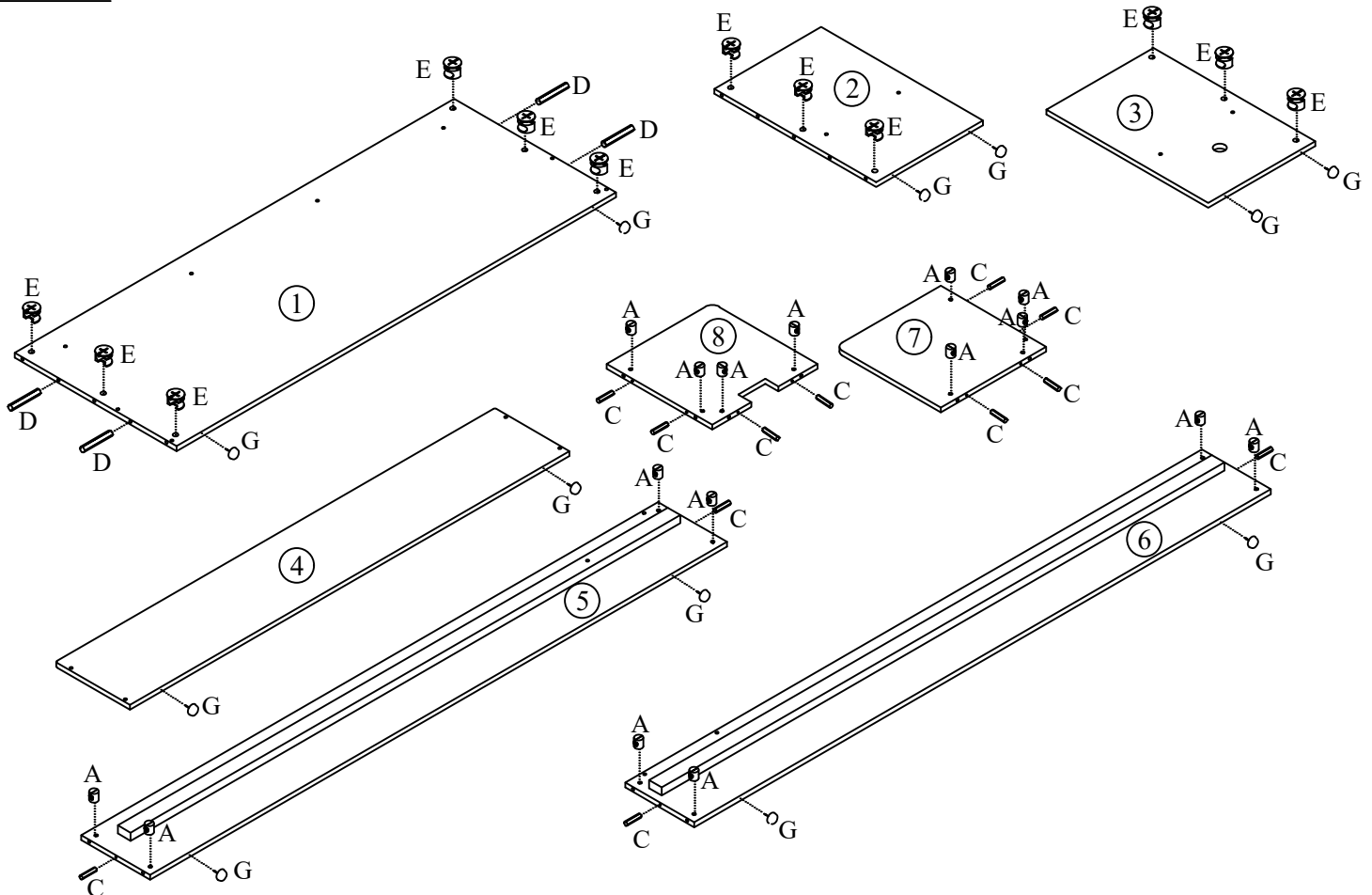
ASSEMBLY TOOLS REQUIRED (NOT INCLUDED)



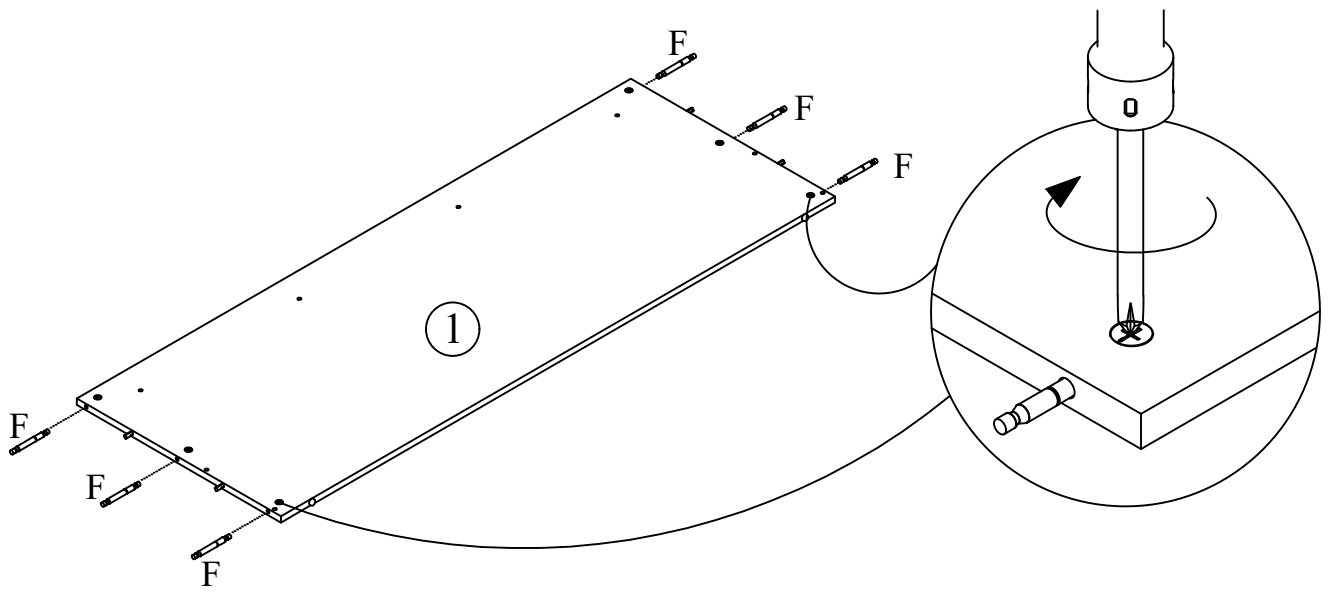
PLEASE BE CAREFULL DO NOT DAMAGE THE HOLE POSITION WHEN YOU USE POWER TOOLS !

<p>1</p>  <p>Headboard Panel = 1pc</p>	<p>2</p>  <p>Headboard Left Side Panel = 1pc</p>	<p>3</p>  <p>Headboard Right Side Panel = 1pc</p>
<p>4</p>  <p>Footboard Panel = 1pc</p>	<p>7</p>  <p>Left Bed Side Table Panel = 1pc</p>	<p>8</p>  <p>Right Bed Side Table Panel = 1pc</p>
<p>9</p>  <p>Decoration Panel = 1pc</p>		

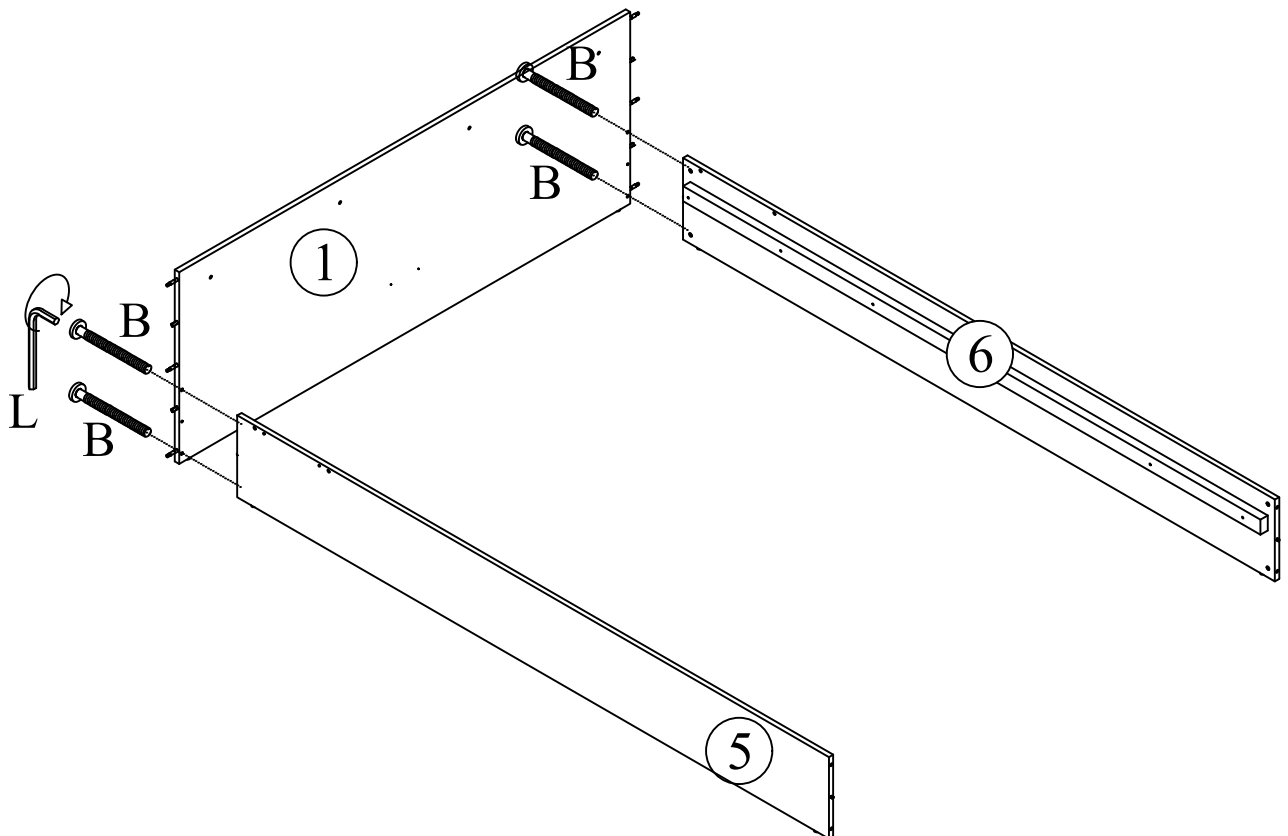
STEP 1



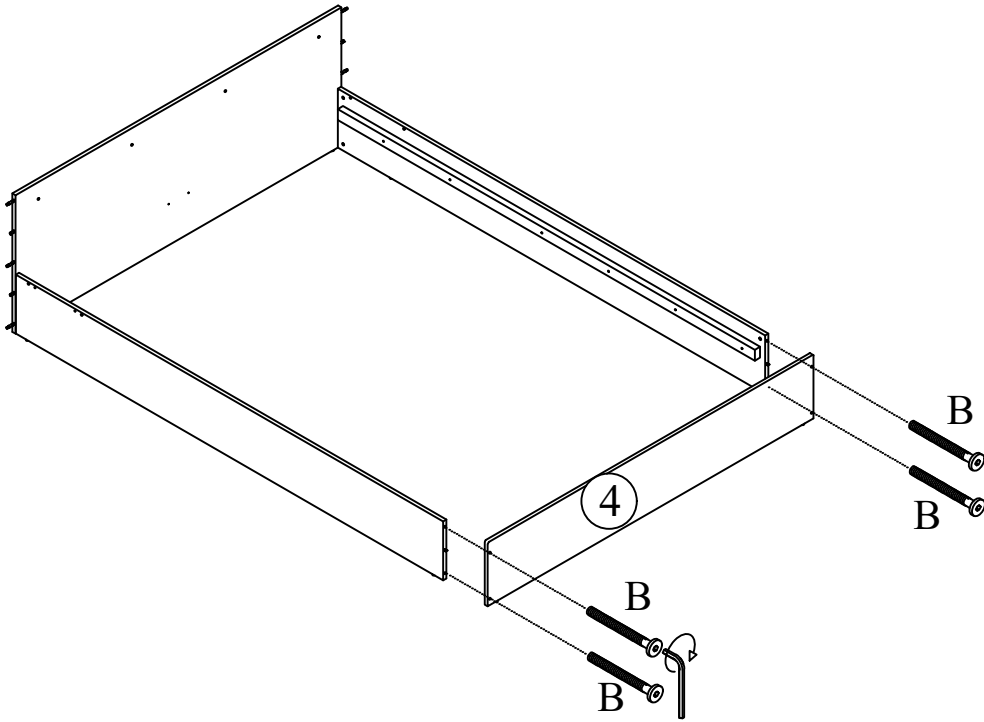
STEP 2



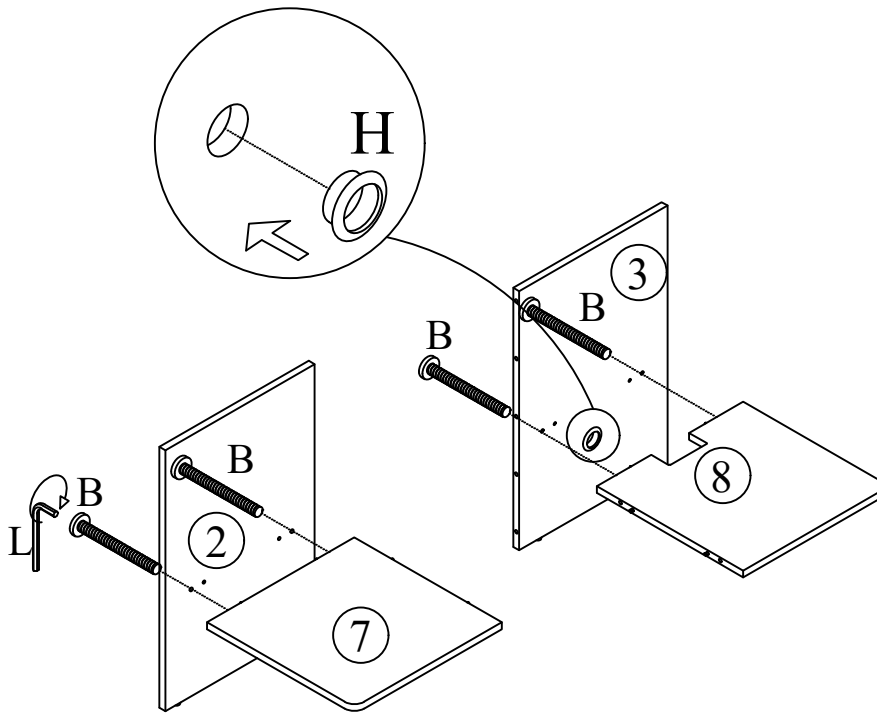
STEP 3



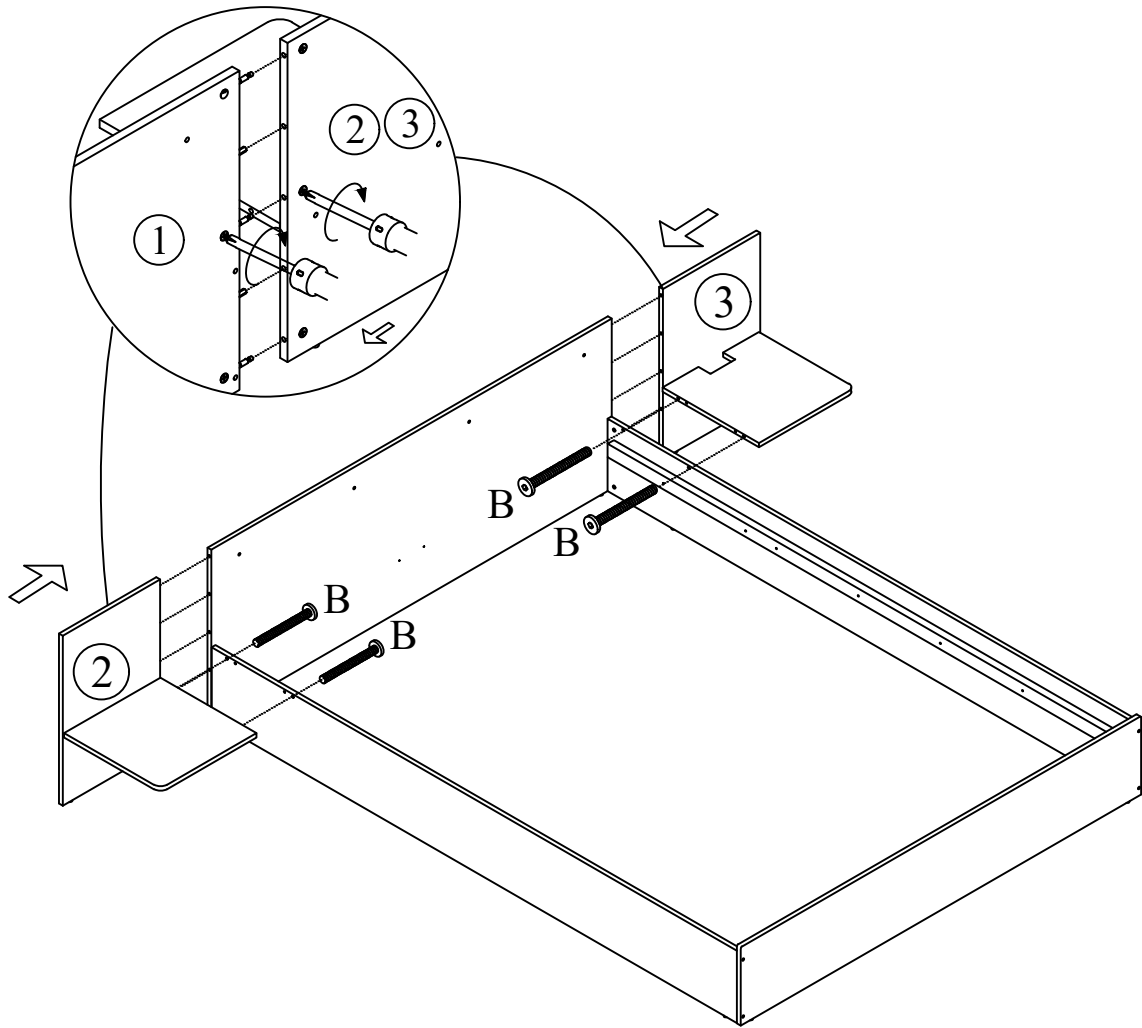
STEP 4



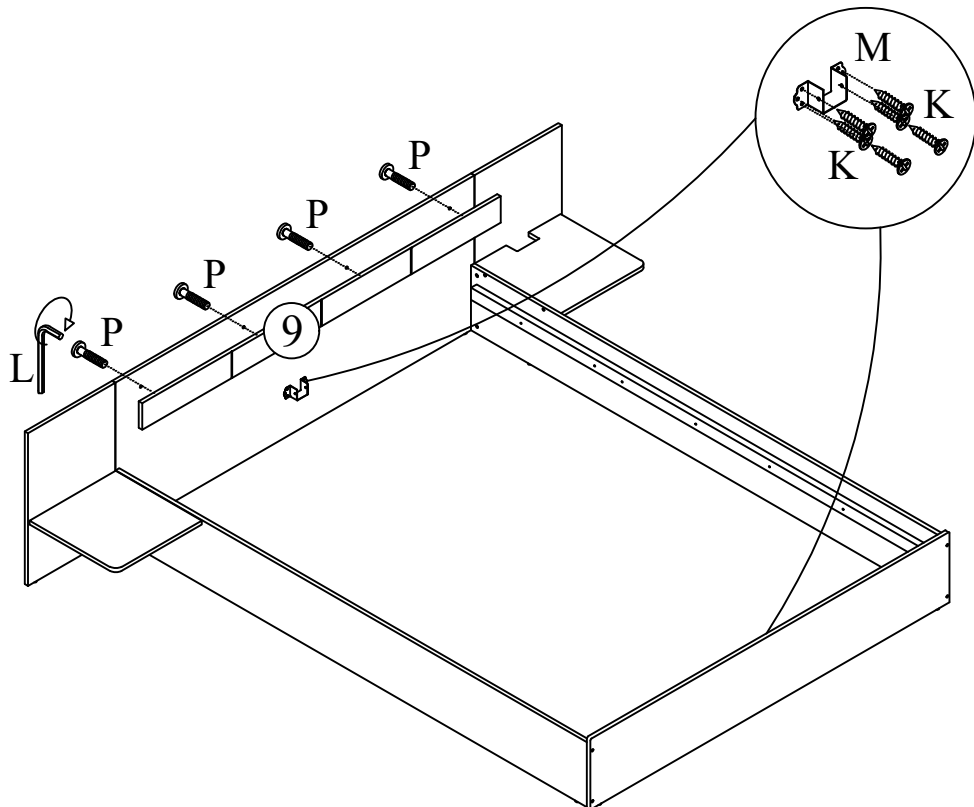
STEP 5



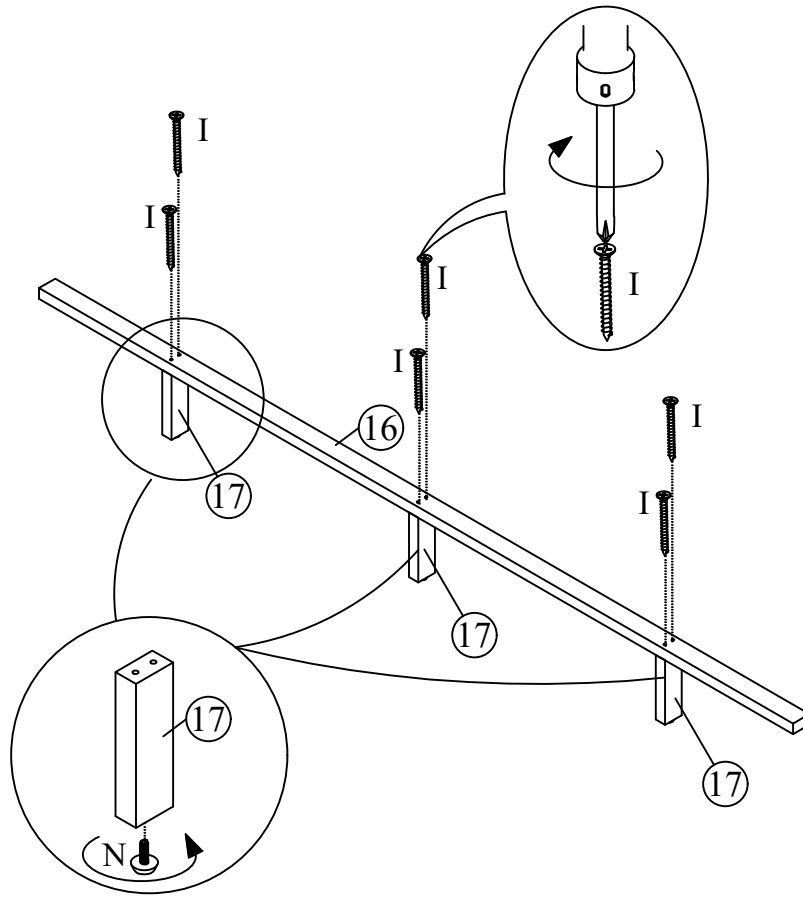
STEP 6



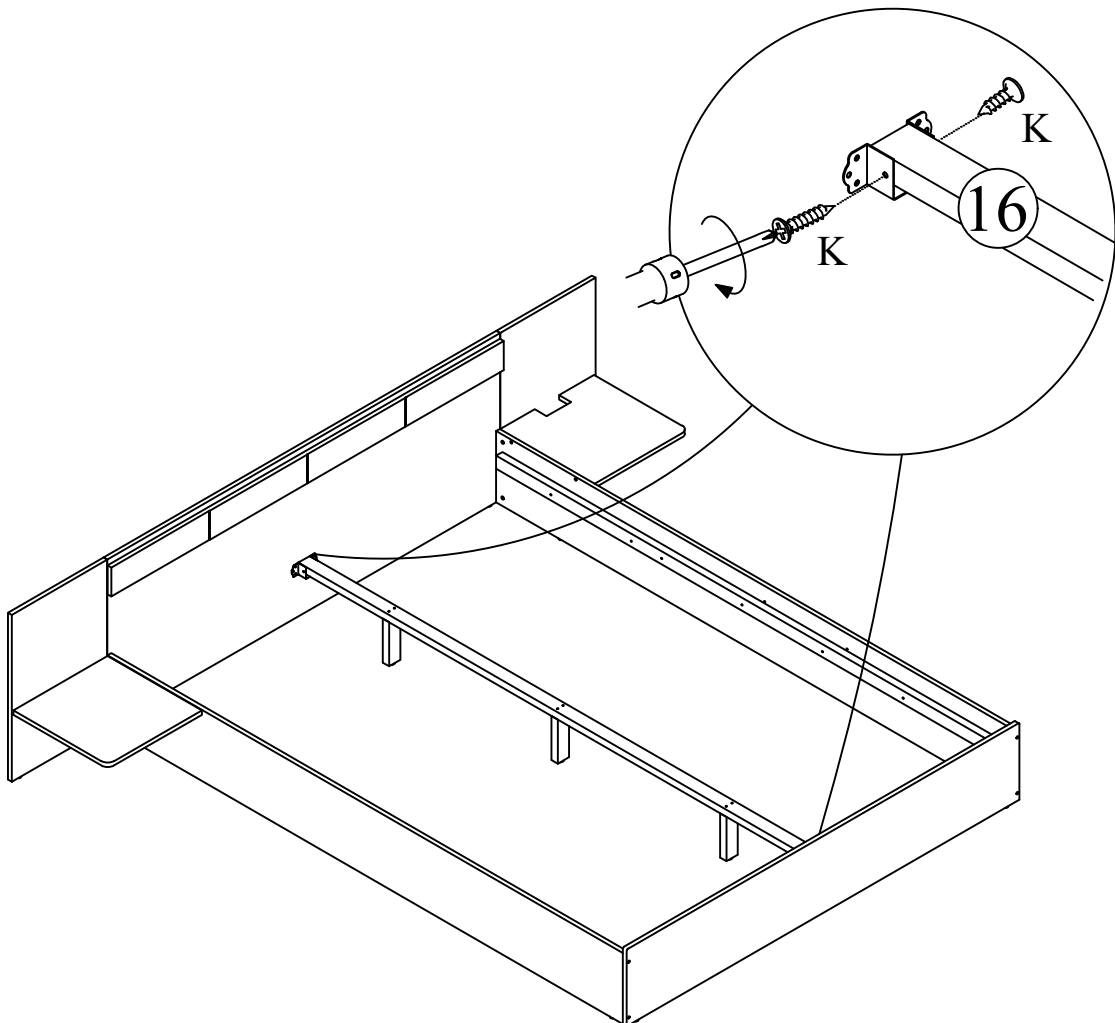
STEP 7



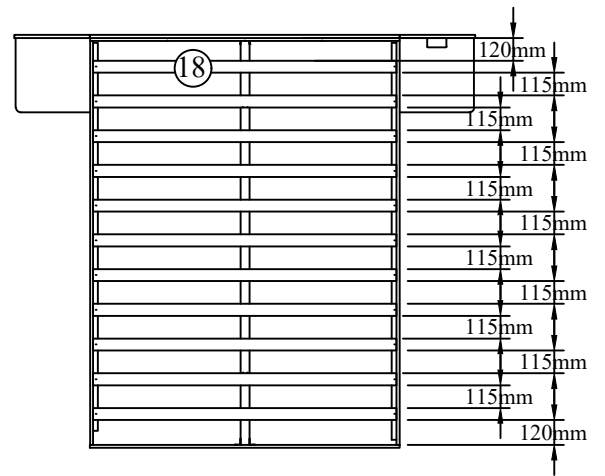
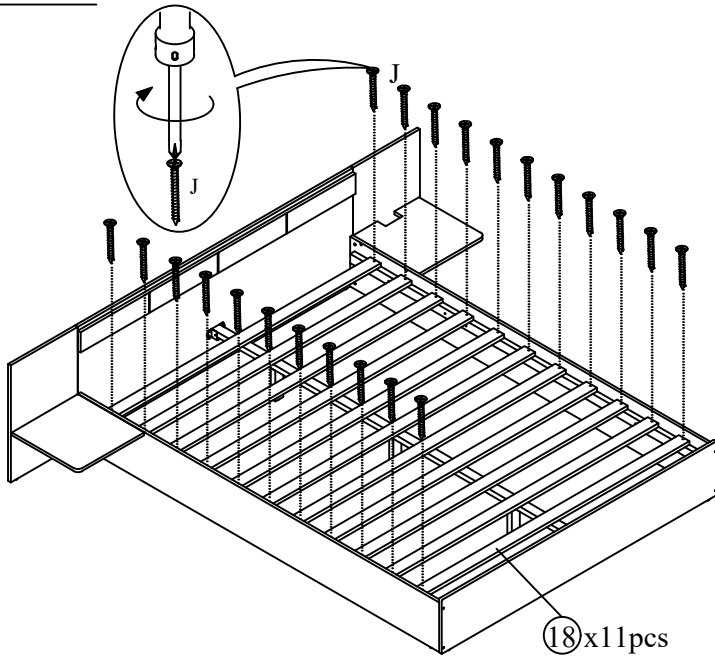
STEP 8



STEP 9



STEP 10



Please follow the above diagram for fixing slat base.

STEP 11

