

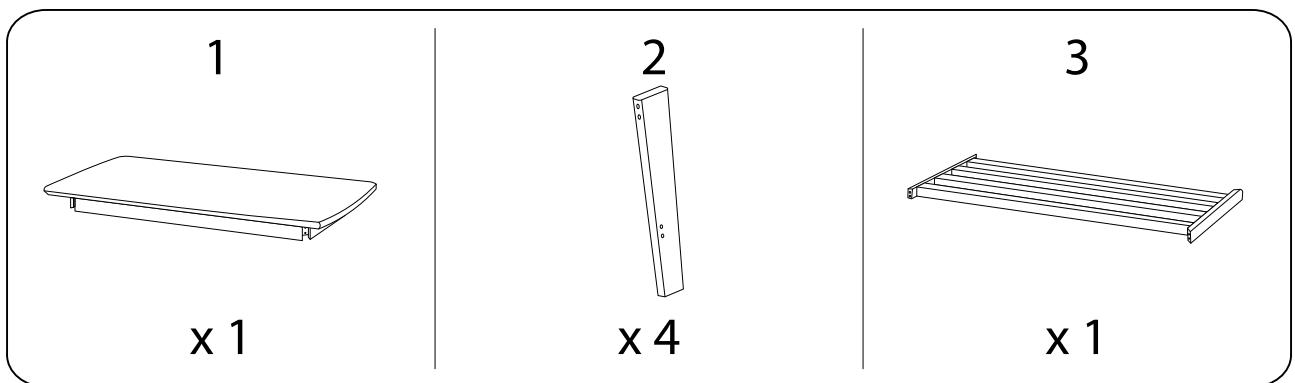
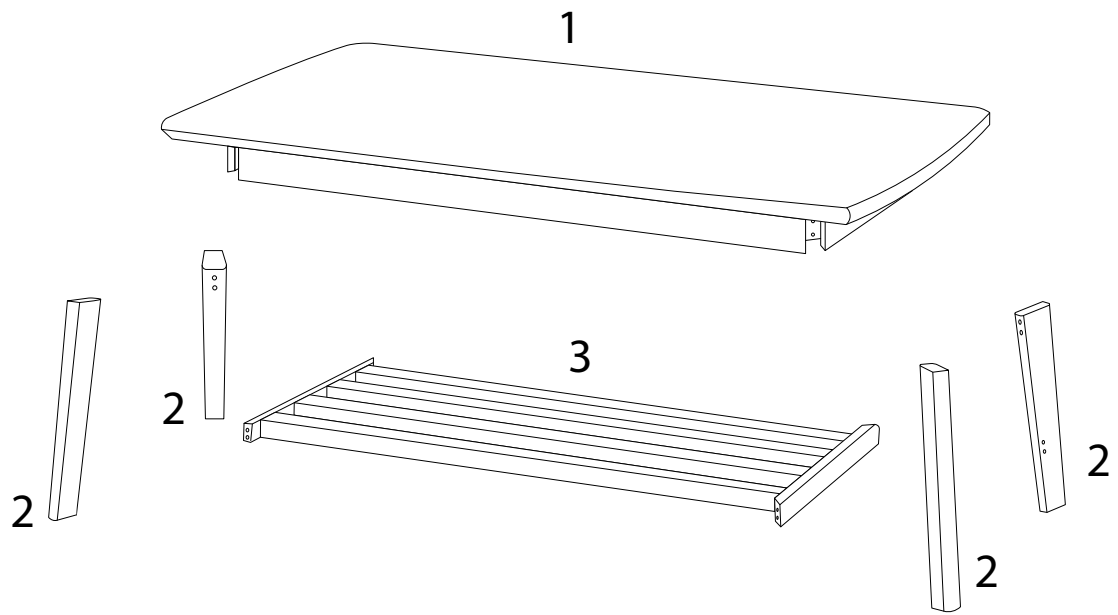
Assembly instructions for the coffee table, including tool requirements, time, and personnel.

**Tools:** A circular icon contains a screwdriver and an L-shaped hex key. A power drill is shown with a diagonal line through it, indicating it is not required.

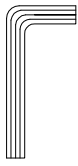
**Time:** A clock icon indicates an estimated assembly time of 30 minutes.

**Personnel:** A person icon and the number 2 indicate that two people are required for assembly.

**Warnings:** Two warning triangles (exclamation marks) are present. The first is connected to the tool requirements, and the second is connected to the personnel requirement.

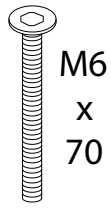


A



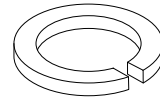
x 1

B



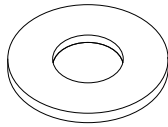
x 8

C



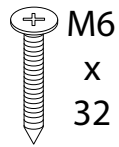
x 8

D



x 8

E



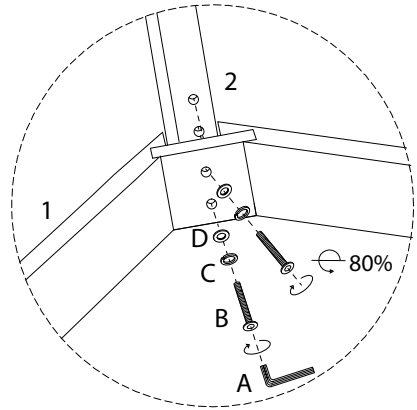
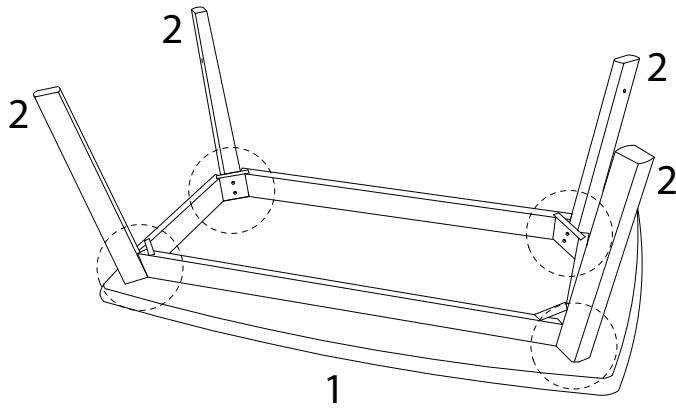
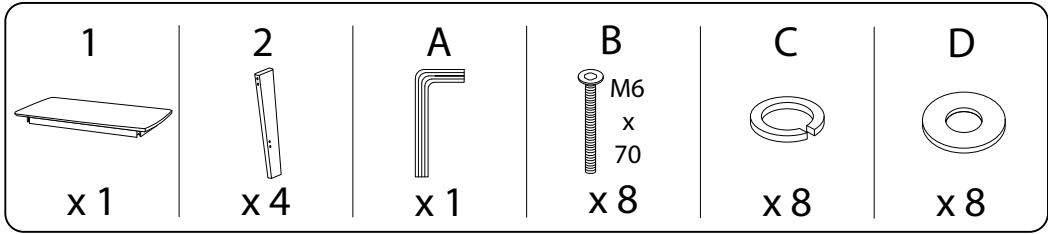
x 4

F

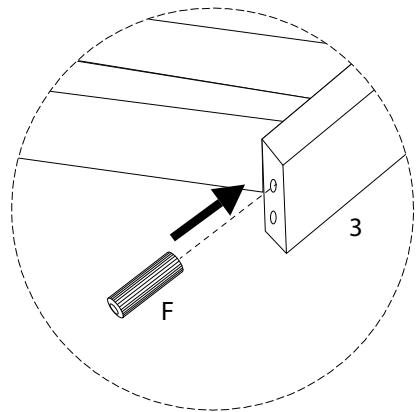
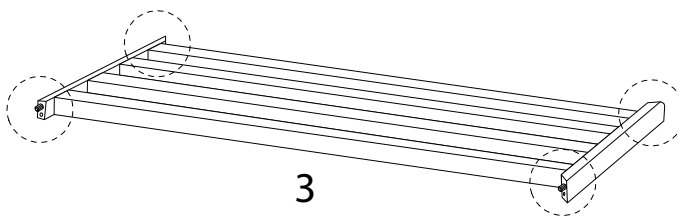
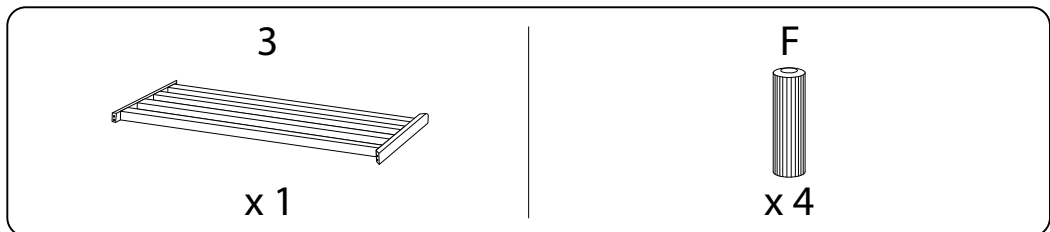


x 4

1



2

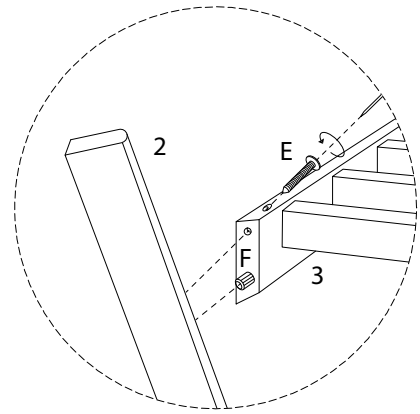
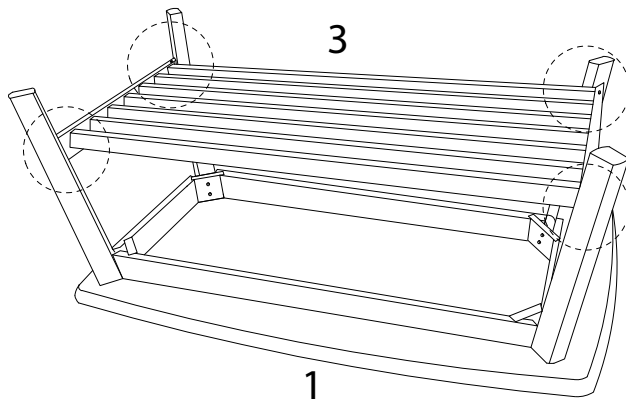


3

E

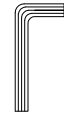


x 4



4

A



x 1

