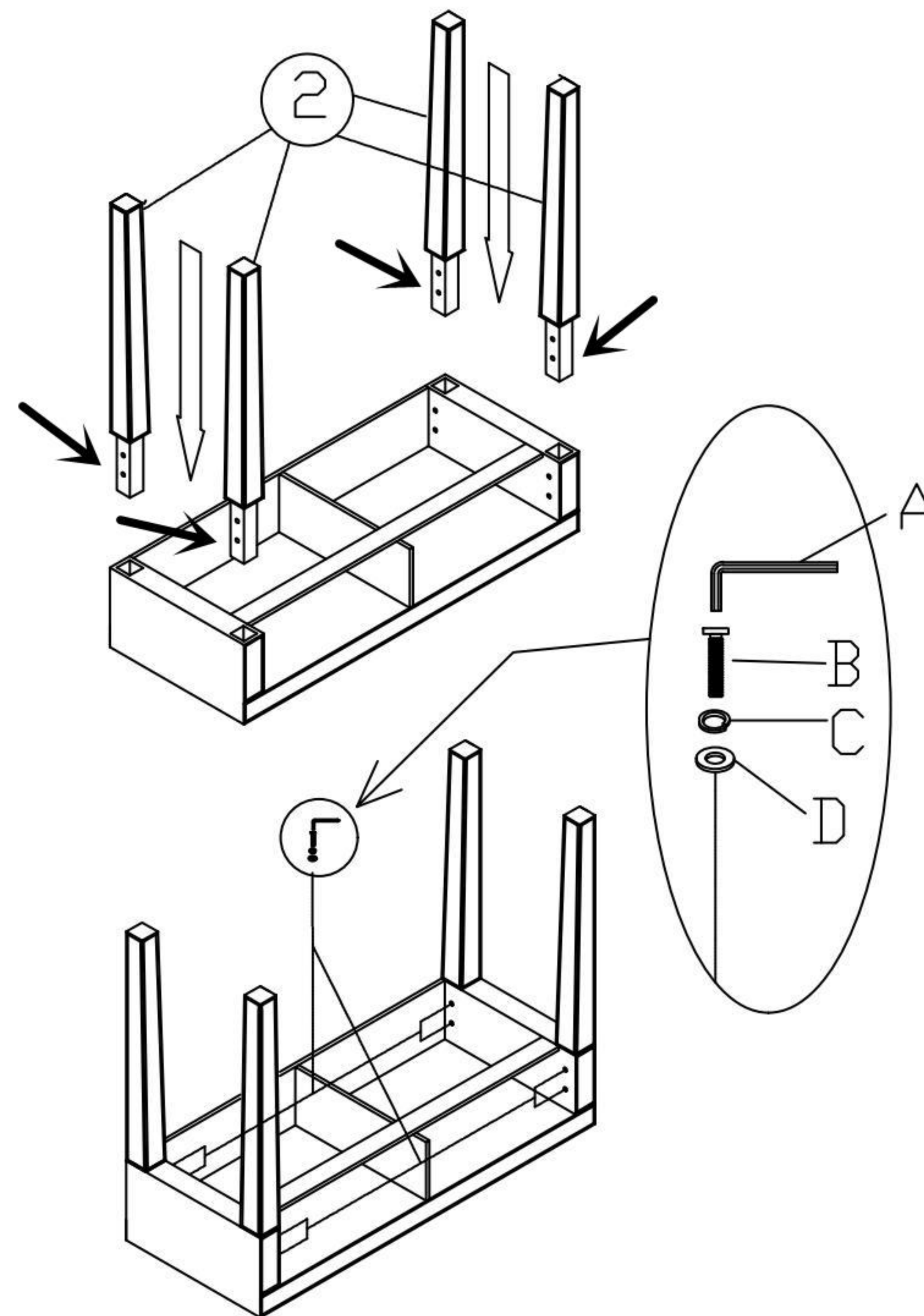
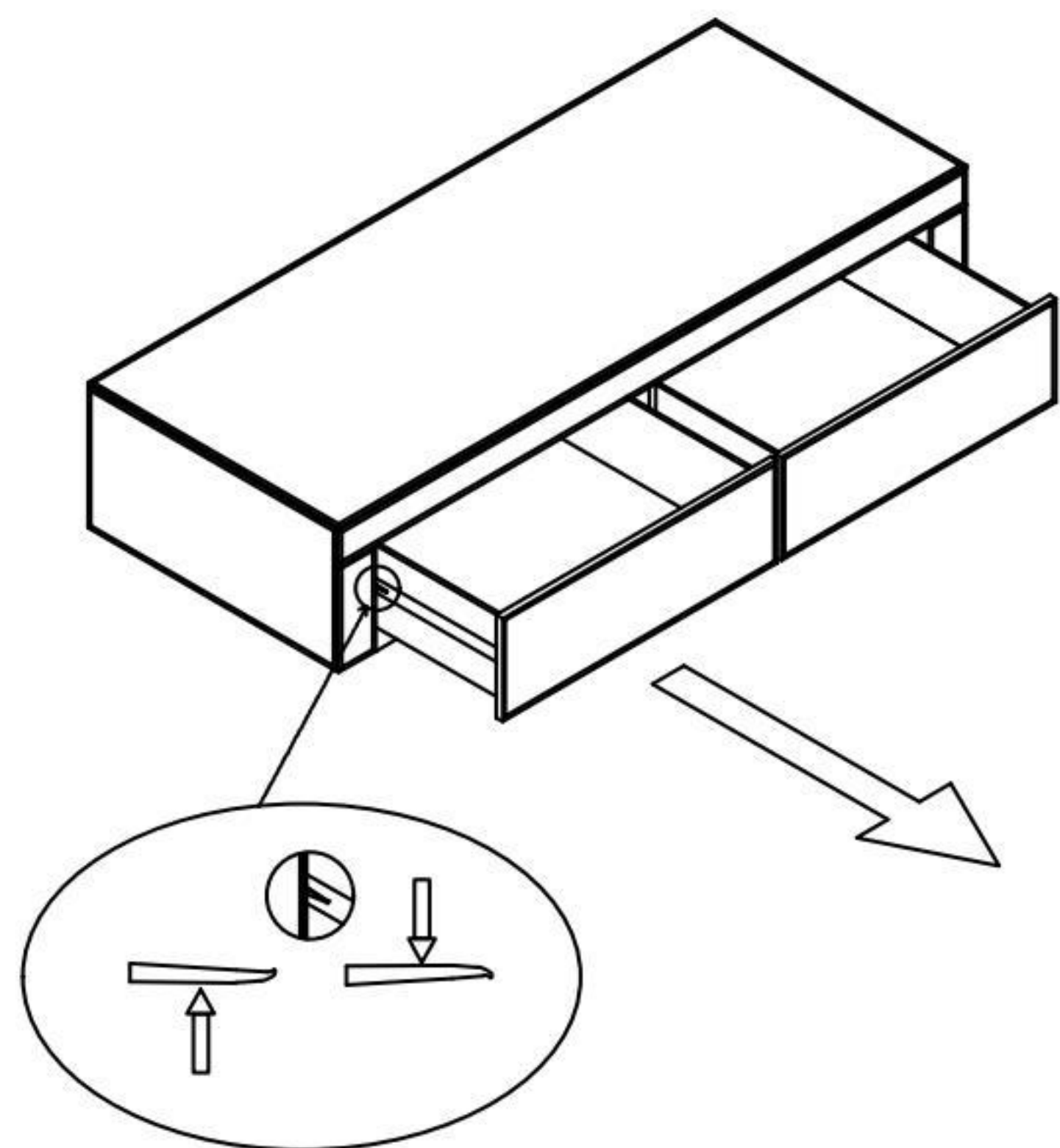
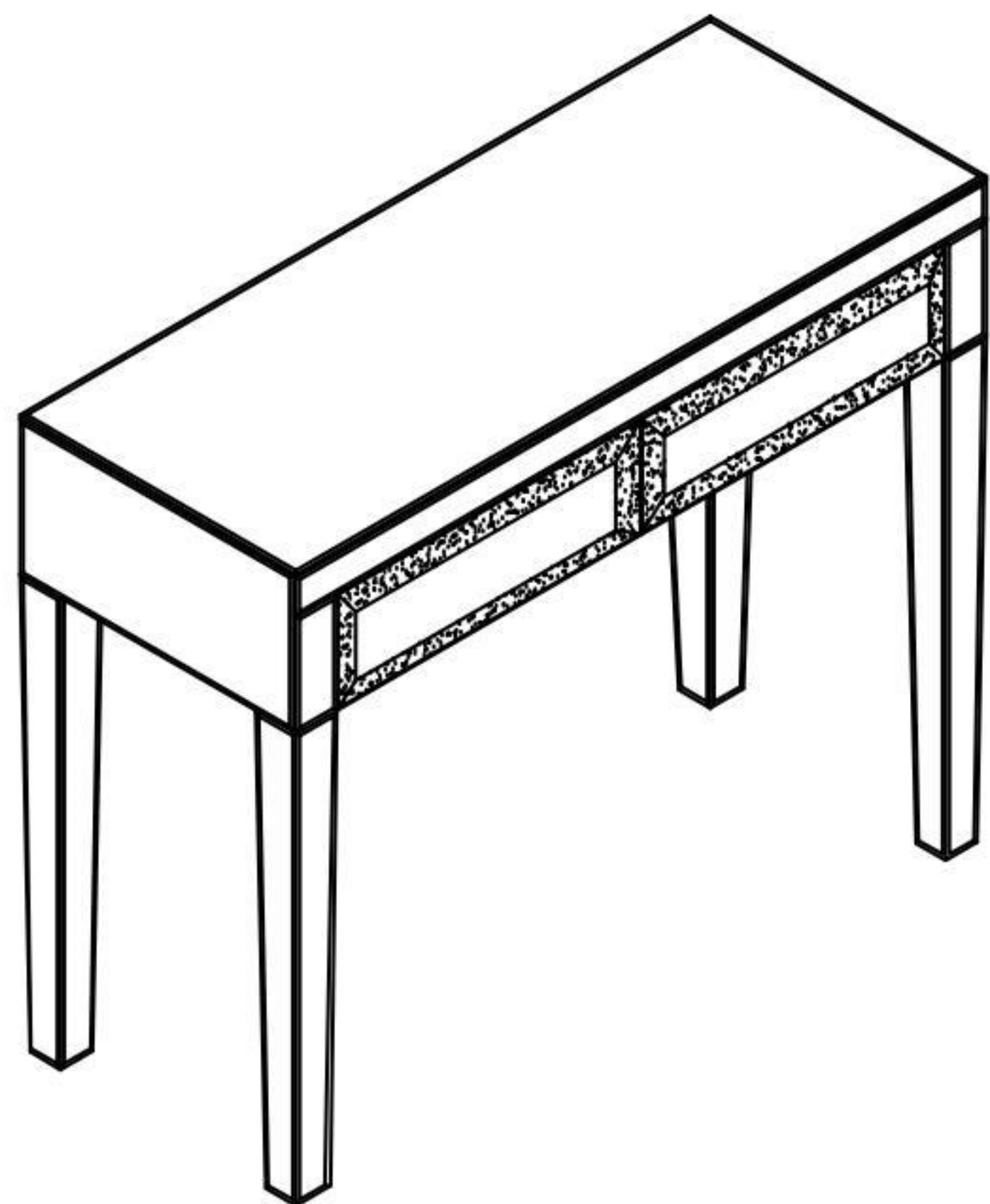
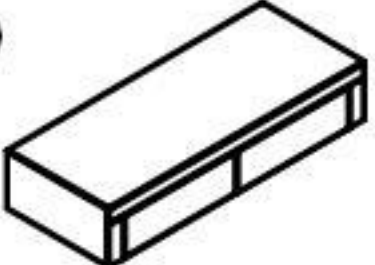







ASSEMBLY INSTRUCTION :SF-CT034



①	 x1	②	 x4
A	 x1	B	 x8
C	 x8	D	 x8