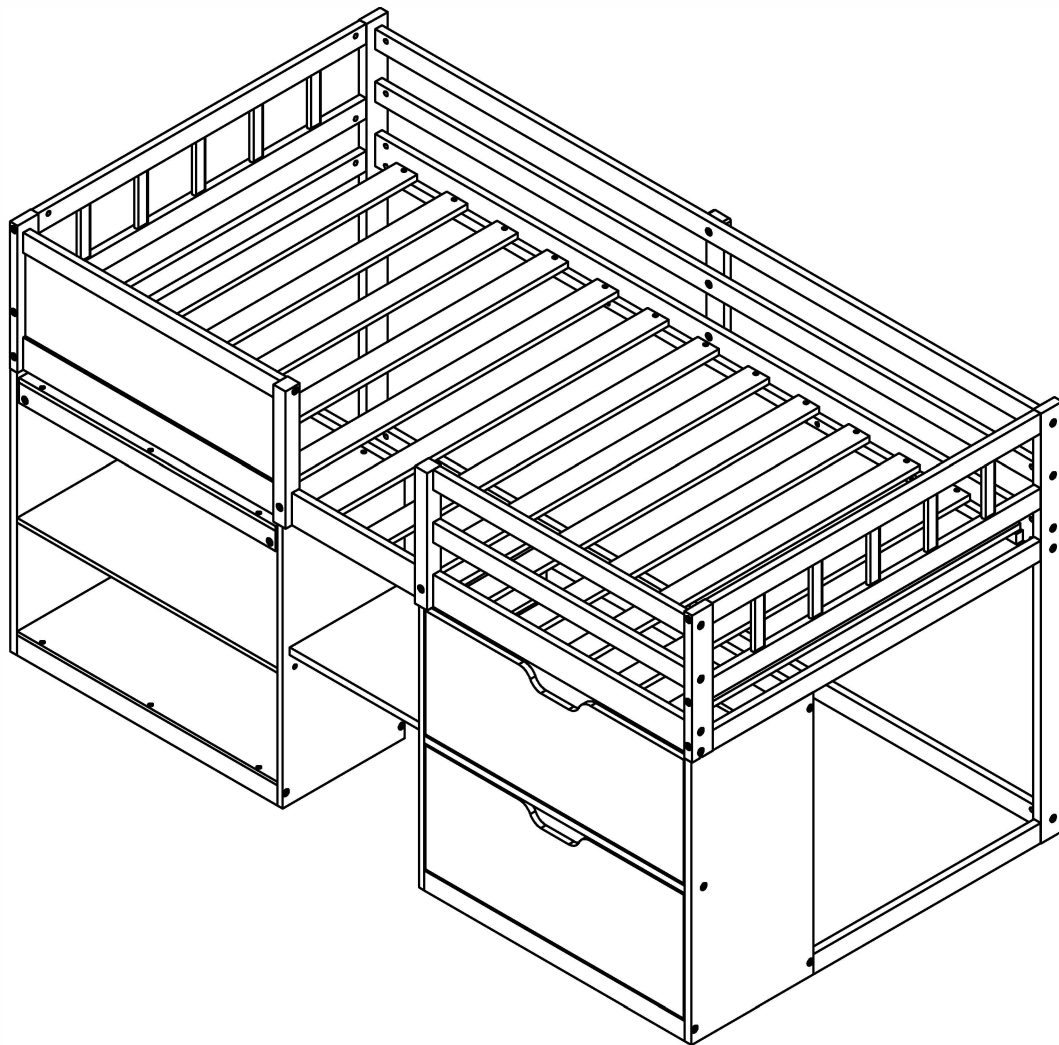


ASSEMBLY INSTRUCTIONS





SAFETY WARNING



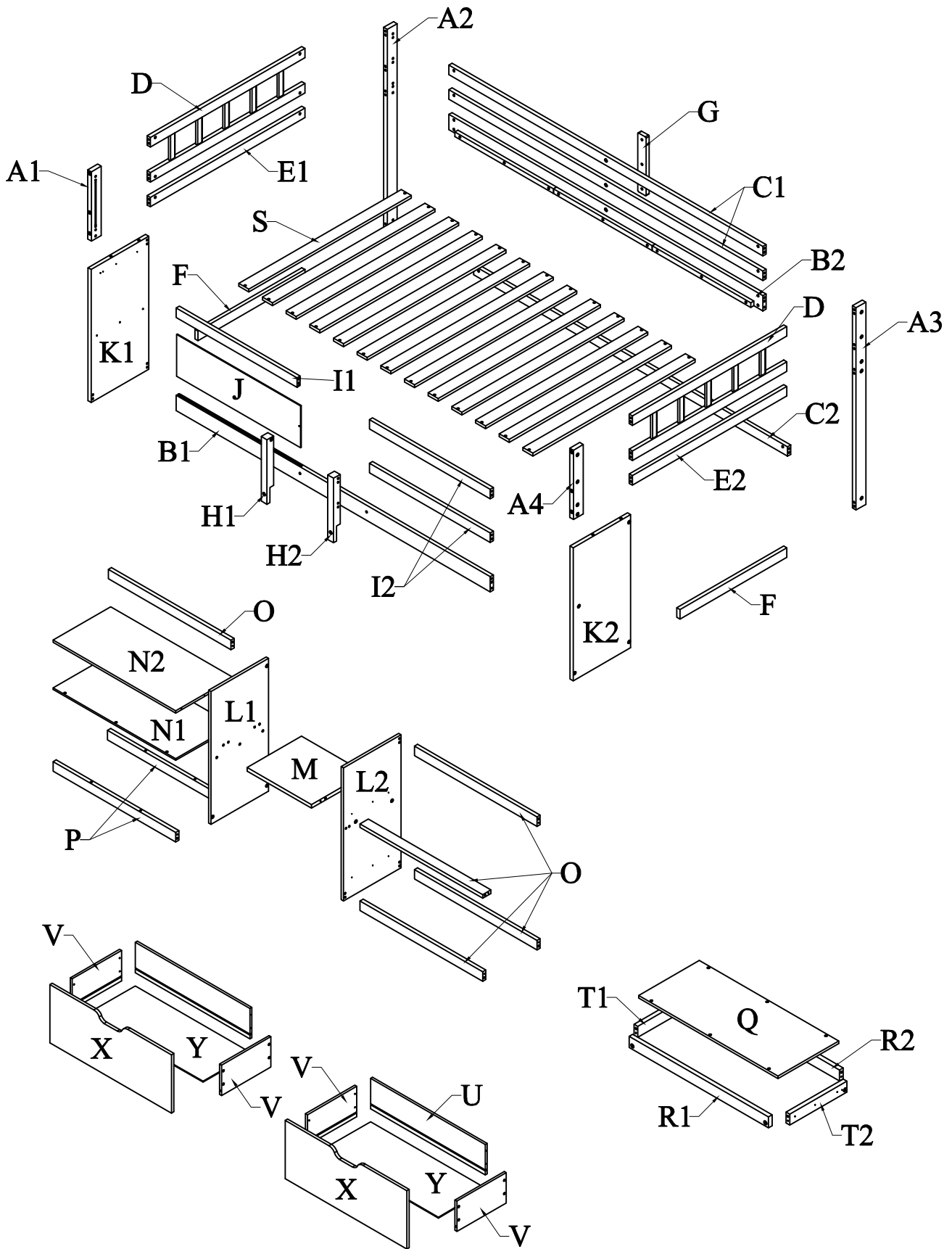
1. This bed is designed for use only mattress (es) meeting the following specifications on the upper bunk, and lower bunk:

Upper bunk (bunk bed and tribed included)





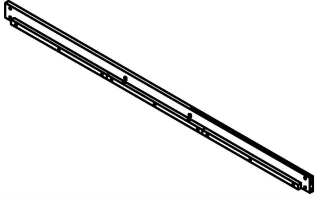
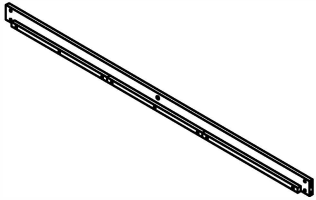
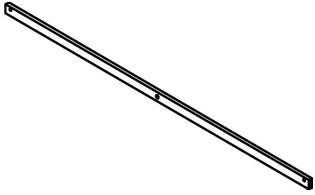
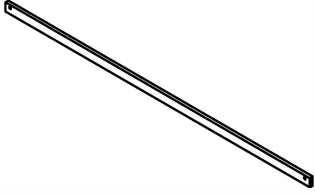
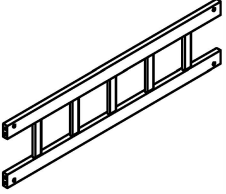
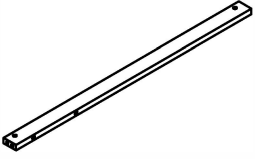
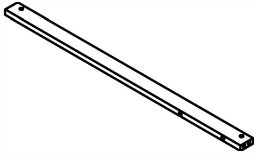
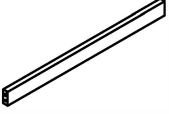



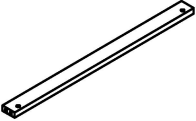
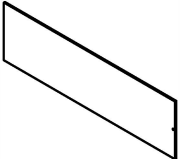
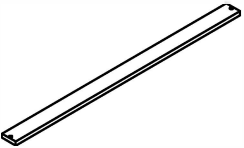
Bed type	Length	With	Thickness
Twin Standard	74" – 75"	38 ½"	6" max

2. Follow the information on the warnings appearing on the upper bunk bed end structure and on the carton.
Do not remove warning label from bed.
3. Always use the recommended size mattresses or mattress supports, or both, to help prevent the likelihood of entrapment or falls.
4. Surface of mattress must be at least 5" (127mm) below the upper edge of guardrails.
5. Do not allow children under 6 years of age to use the upper bunk.
6. Periodically check and ensure that the guardrail, ladder, and other components are in their proper position, free from damage, and that all connectors are tight.
7. Do not allow horseplay on or under the bed and prohibit jumping on the bed.
8. Always use the ladder for entering and leaving the upper bunk.
9. Do not use substitute part. Contact the manufacture or dealer for replacement part.
10. Use of a night light may provide added safety precaution for a child using the upper bunk.
11. Always use guardrails on both long sides of the upper bunk. If the bunk bed will be placed next to the wall, the guardrail that runs the full length of the bed should be placed against the wall to prevent entrapment between the bed and wall.
12. The use of water or sleep flotation mattresses is prohibited.
13. STRANGULATION HAZARD - Never attach or hang items to any part of the bunk bed that are not designed for use with the bed; for example, but not limited to, hook, belts and jump ropes.
14. Keep these instruction for future reference.
15. Prohibit more than one person on upper bunk.
16. We recommend assembling your bunk bed on the shipping carton to protect your floor or carpet.
17. Be certain all staples are out of the box before beginning assembly on the shipping carton.



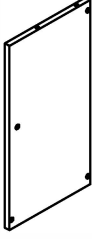



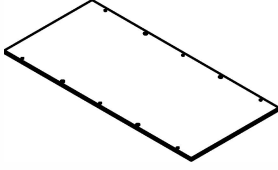
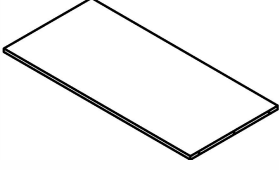
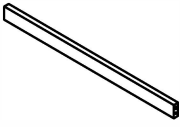
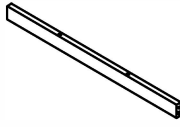
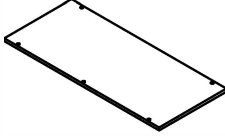
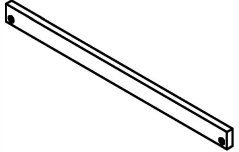
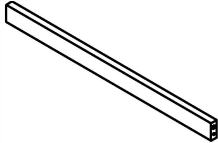
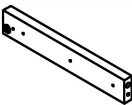
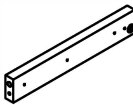
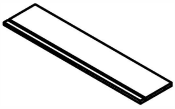

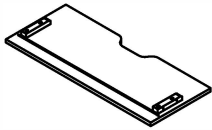
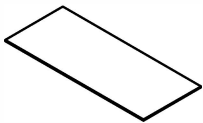
DETAIL VIEW



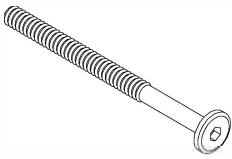
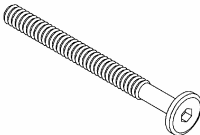
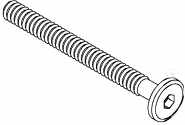
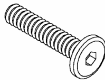
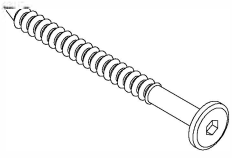
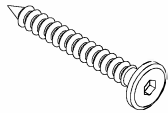

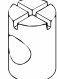
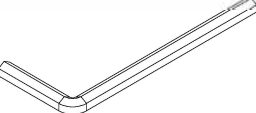
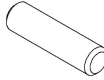
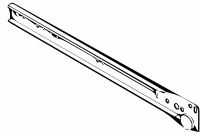
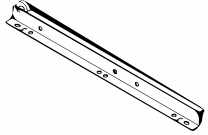
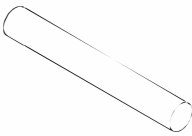
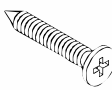
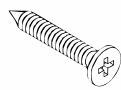

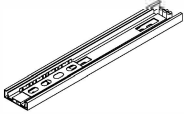
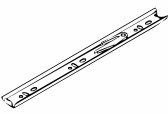
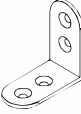
BOX 1

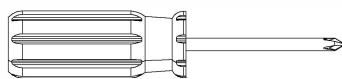
<p>A1</p>  <p>Front leg - left (1pc)</p>	<p>A2</p>  <p>Back leg - left (1pc)</p>	<p>A3</p>  <p>Back leg - right (1pc)</p>	<p>A4</p>  <p>Front leg - right (1pc)</p>
<p>B1</p>  <p>Side rail - front (1pc)</p>	<p>B2</p>  <p>Side rail - back (1pc)</p>	<p>C1</p>  <p>Top guardrail - back (2pcs)</p>	<p>C2</p>  <p>Bottom guardrail - back (1pc)</p>
<p>D</p>  <p>Horizontal rail frame - top (2pcs)</p>	<p>E1</p>  <p>Horizontal rail middle - left (1pc)</p>	<p>E2</p>  <p>Horizontal rail middle - right (1pc)</p>	<p>F</p>  <p>Horizontal rail - bottom (2pcs)</p>
<p>G</p>  <p>Vertical rail - back (1pc)</p>	<p>H1</p>  <p>Front vertical rail - left (1pc)</p>	<p>H2</p>  <p>Front vertical rail - right (1pc)</p>	<p>I2</p>  <p>Front horizontal rail - right (2pcs)</p>
<p>J</p>  <p>Front panel (1pc)</p>	<p>S</p>  <p>Slats (13pcs)</p>		

BOX 2

<p>I1</p>  <p>Front horizontal rail - left (1pc)</p>	<p>K1</p>  <p>Side panel - left (1pc)</p>	<p>K2</p>  <p>Side panel - right (1pc)</p>	<p>L1</p>  <p>Partition panel - left (1pc)</p>
<p>L2</p>  <p>Partition panel - right (1pc)</p>	<p>M</p>  <p>Shelf panel - middle (1pc)</p>	<p>N1</p>  <p>Left shelf panel - bottom (1pc)</p>	<p>N2</p>  <p>Left shelf panel - top (1pc)</p>
<p>O</p>  <p>Support rail - right (5pcs)</p>	<p>P</p>  <p>Support rail - left (2pcs)</p>	<p>Q</p>  <p>Table top (1pc)</p>	<p>R1</p>  <p>Front rail - table (1pc)</p>
<p>R2</p>  <p>Back rail - table (1pc)</p>	<p>T1</p>  <p>Left rail - table (1pc)</p>	<p>T2</p>  <p>Right rail - table (1pc)</p>	<p>U</p>  <p>Back drawers (2pcs)</p>
<p>V</p>  <p>Side drawers (4pcs)</p>	<p>X</p>  <p>Front drawers (2pcs)</p>	<p>Y</p>  <p>Bottom drawers (2pcs)</p>	

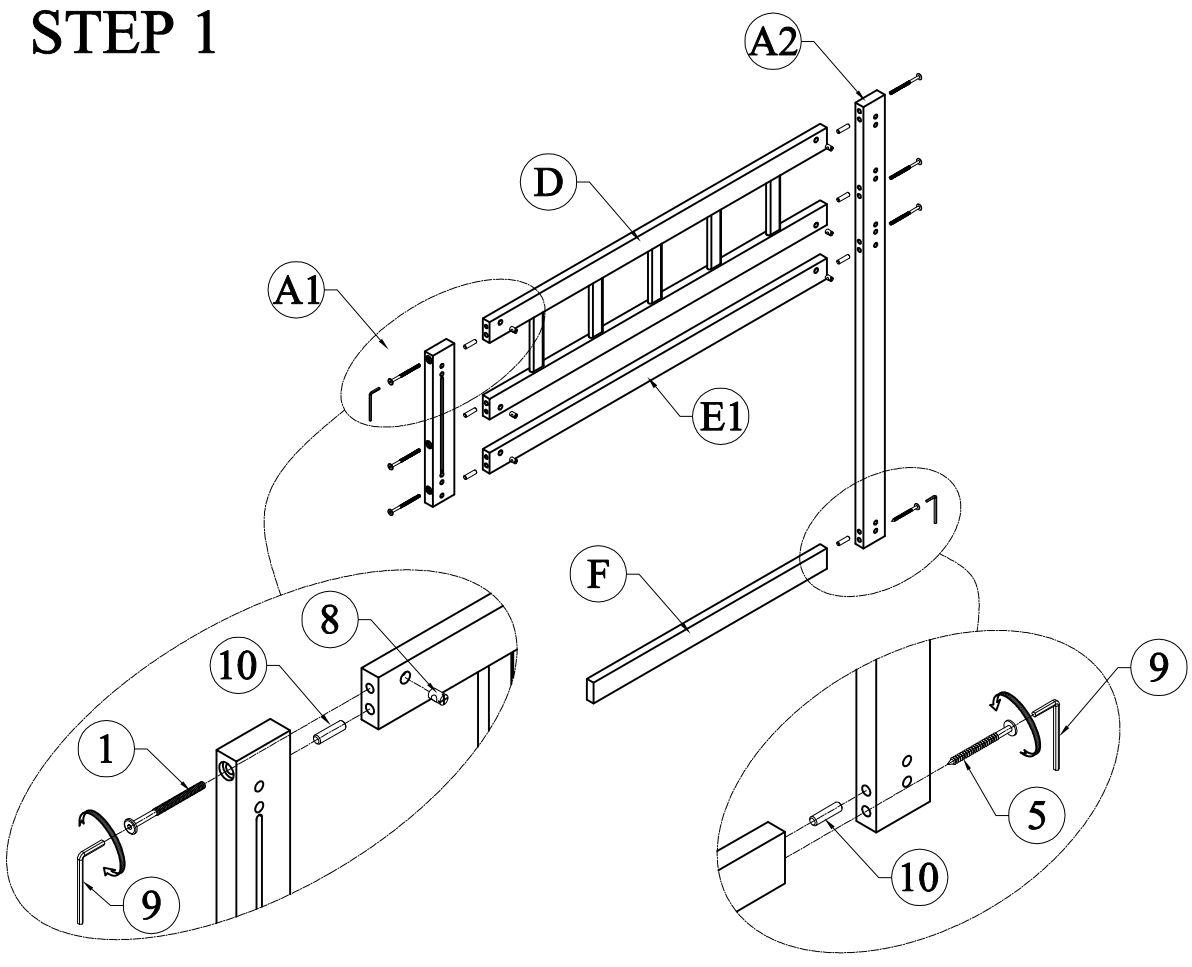
HARDWARE LIST

<p>1</p>  <p>Hex - Head bolts Ø1/4" * 110- 12pcs</p>	<p>2</p>  <p>Hex - Head bolts Ø1/4" * 80- 3pcs</p>	<p>3</p>  <p>Hex - Head bolts Ø1/4" * 60- 17pcs</p>	<p>4</p>  <p>Hex - Head bolts Ø1/4" * 25- 5pcs</p>
<p>5</p>  <p>Hexagonal bolts catch wood Ø6 * 110 - 2pcs</p>	<p>6</p>  <p>Hexagonal bolts catch wood Ø6 * 50 - 22pcs</p>	<p>7</p>  <p>Canopy head though Ø1/4" - 5pcs</p>	<p>8</p>  <p>Horizontal - Hold bolts Ø1/4" - 32pcs</p>
<p>9</p>  <p>Allen key K4 - 2pc</p>	<p>10</p>  <p>Wood dowel Ø8 * 30 - 56pcs</p>	<p>11L/R</p>  <p>L/R Sliding rail - outside 4pcs</p>	<p>12L/R</p>  <p>L/R Sliding rail - inside 4pcs</p>
<p>13</p>  <p>Steel dowel Ø10 * 90 - 4pcs</p>	<p>14</p>  <p>Wood crews M4 * 25 - 54pcs</p>	<p>15</p>  <p>Wood crews M4 * 35 - 8pcs</p>	<p>16</p>  <p>Wood crews M3.5 * 15 - 48pcs</p>
<p>17</p>  <p>Sliding rail (outside) - 2pcs</p>	<p>18</p>  <p>Sliding rail (inside) - 2pcs</p>	<p>19</p>  <p>Patt L - 2pcs</p>	



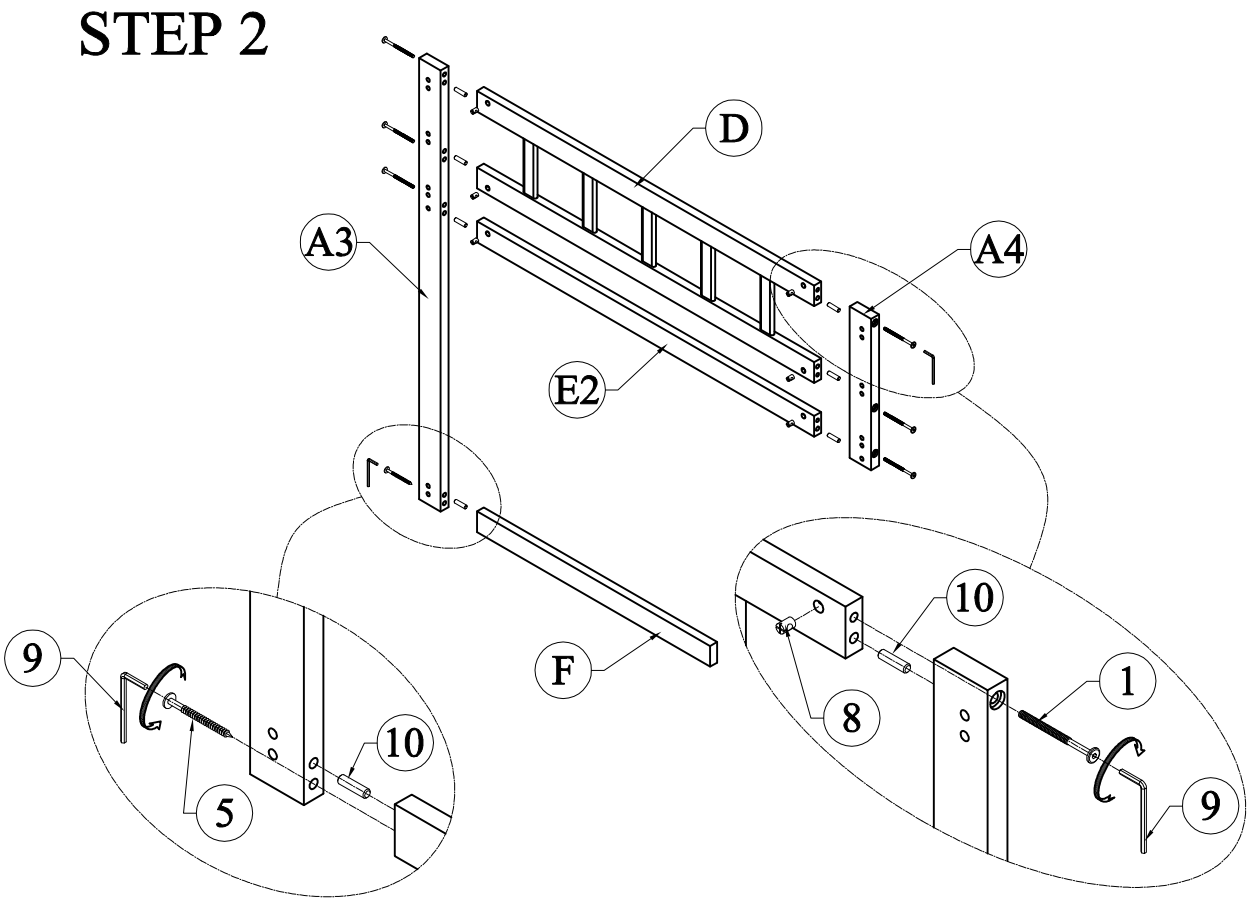
Assembly Tools Required (Not Included)

STEP 1



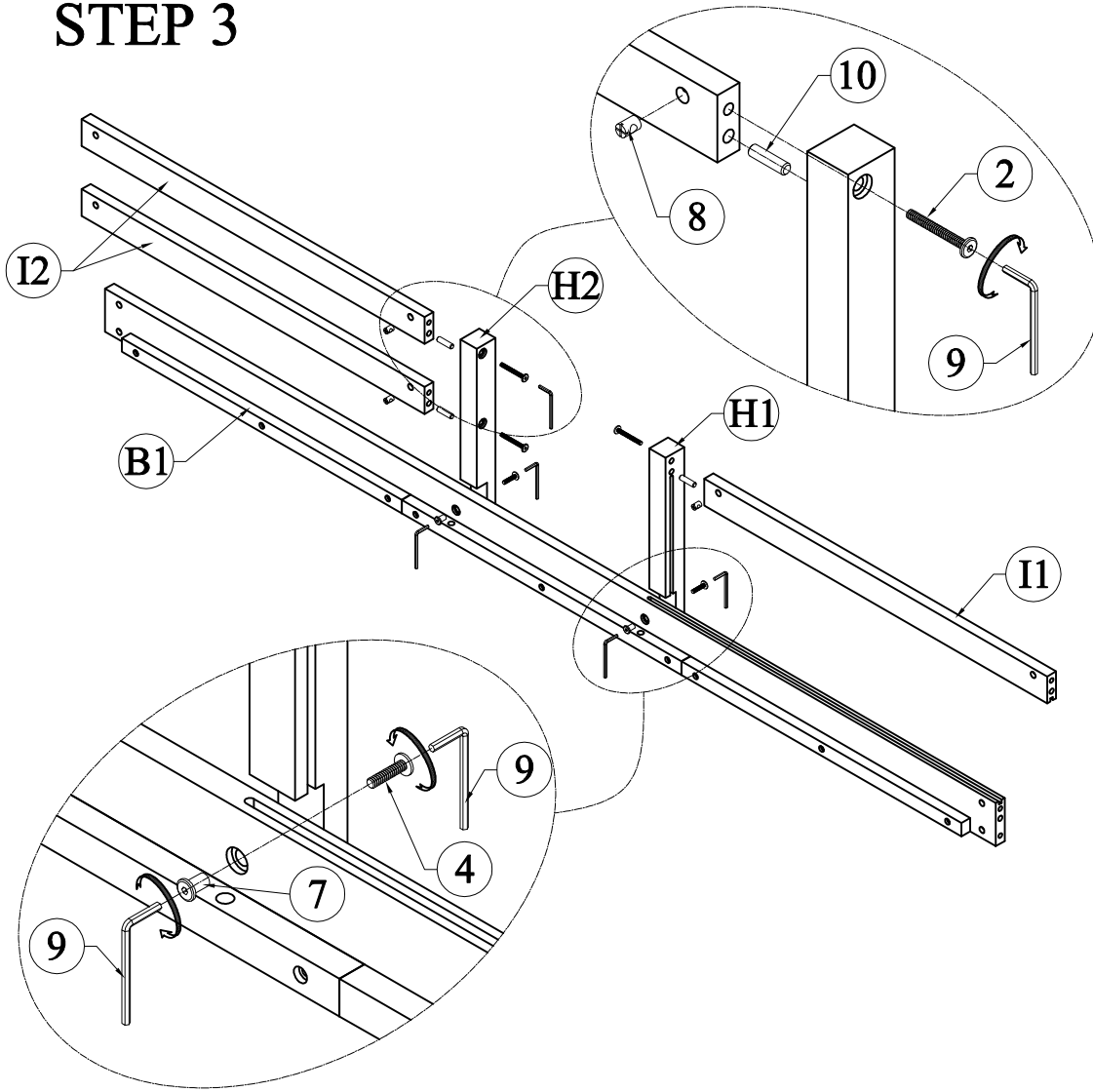
- 1
Hex - Head bolts
Ø1/4" * 110- 6pcs
- 5
Hexagonal bolts catch wood
Ø6 * 110 - 1pcs
- 8
Horizontal - Hold bolts
Ø1/4" - 6pcs
- 10
Wood dowel
Ø8 * 30 - 7pcs

STEP 2



- 1
Hex - Head bolts
Ø1/4" * 110- 6pcs
- 5
Hexagonal bolts catch wood
Ø6 * 110 - 1pcs
- 8
Horizontal - Hold bolts
Ø1/4" - 6pcs
- 10
Wood dowel
Ø8 * 30 - 7pcs

STEP 3



- 2

Hex - Head bolts
Ø1/4" * 80- 2pcs
- 4

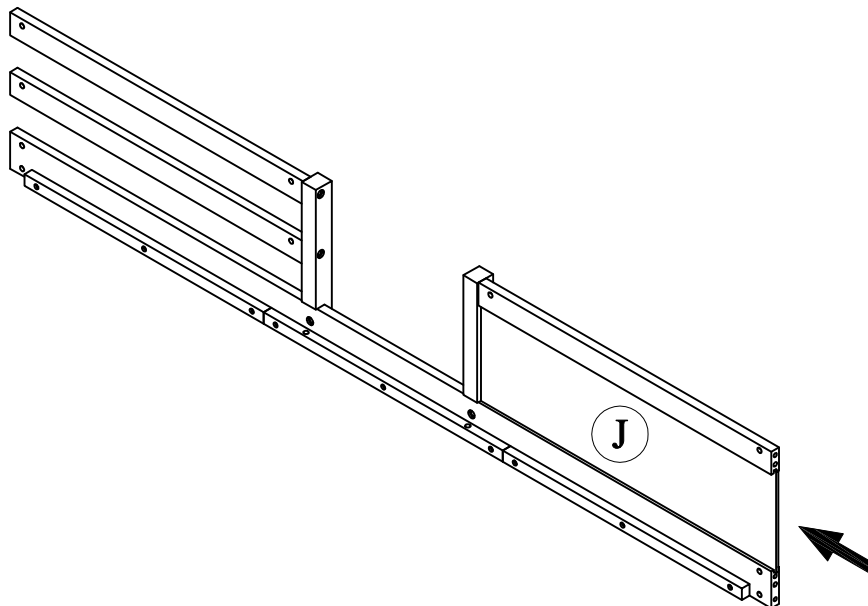
Hex - Head bolts
Ø1/4" * 25- 2pcs
- 7

Canopy head though
Ø1/4" - 2pcs
- 8

Horizontal - Hold bolts
Ø1/4" - 3pcs
- 10

Wood dowel
Ø8 * 30 - 3pcs

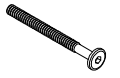
STEP 4



STEP 5



3



Hex - Head bolts
Ø1/4" * 60- 17pcs

8



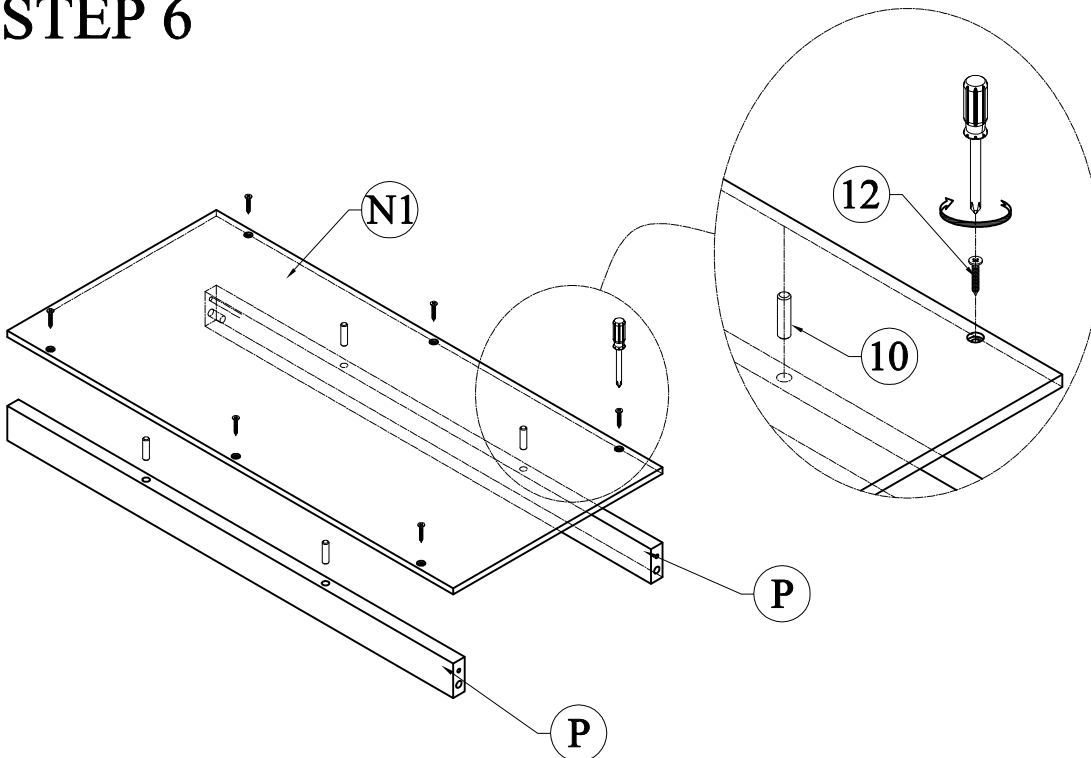
Horizontal - Hold bolts
Ø1/4" - 17pcs

10



Wood dowel
Ø8 * 30 - 13pcs

STEP 6



10



Wood dowel
Ø8 * 30 - 4pcs

14



Wood screws
M4 * 25 - 6pcs

STEP 7

16

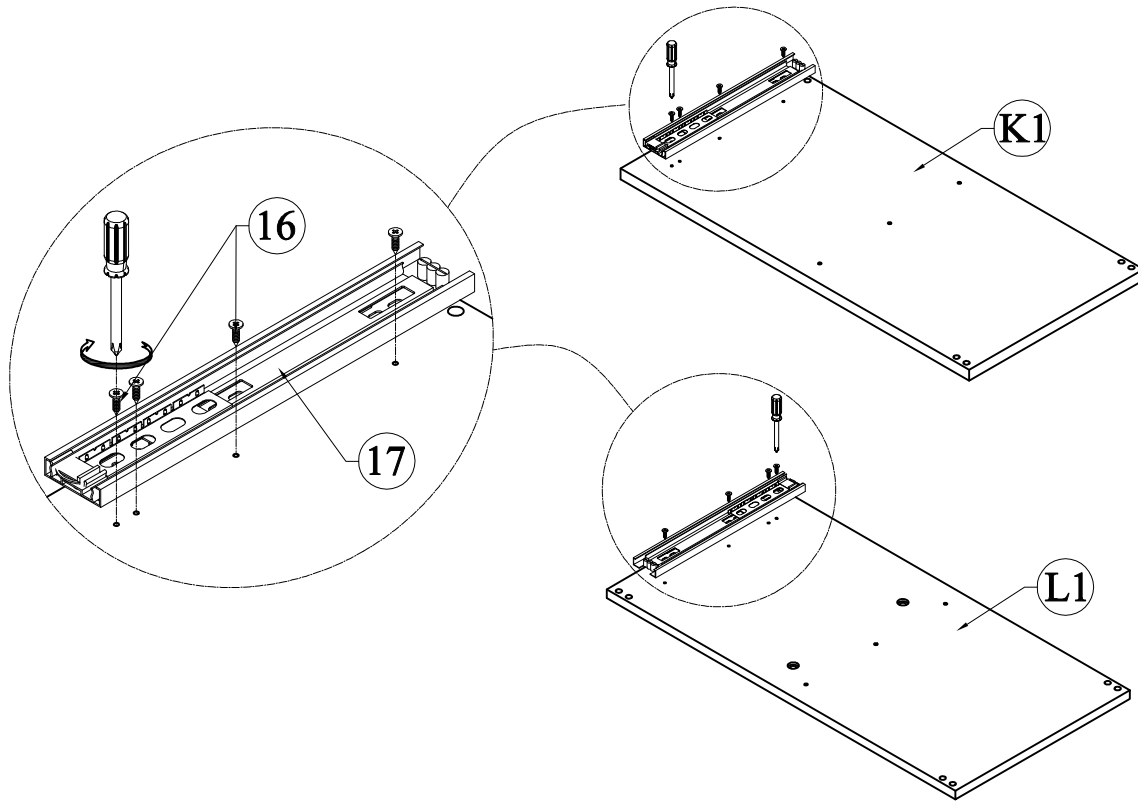


Wood crews
M3.5 * 15 - 8pcs

17



Sliding rail (outside) - 2pcs



STEP 8

6



Hexagonal bolts catch wood
Ø6 * 50 - 6pcs

10

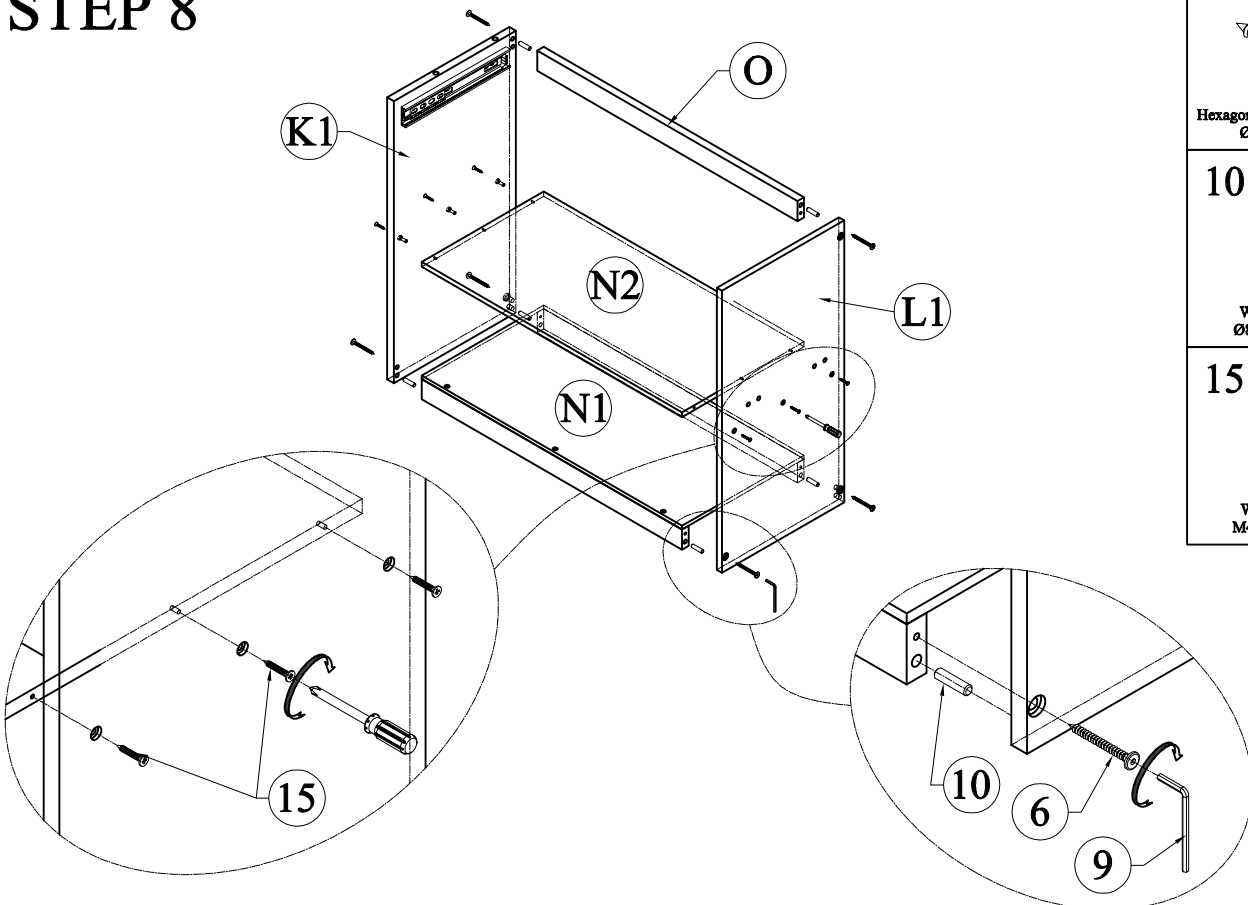


Wood dowel
Ø8 * 30 - 6pcs

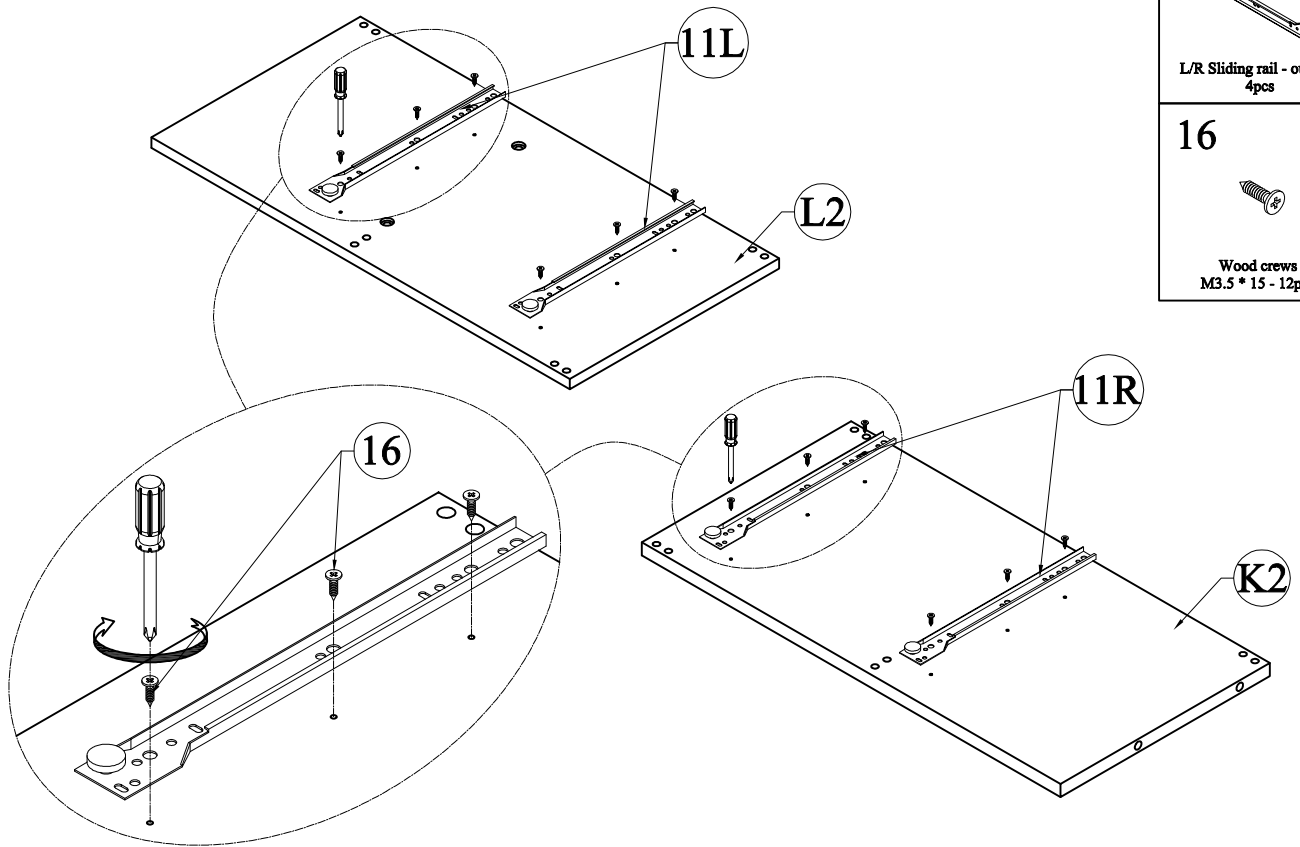
15



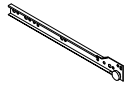
Wood crews
M4 * 35 - 6pcs



STEP 9



11L/R



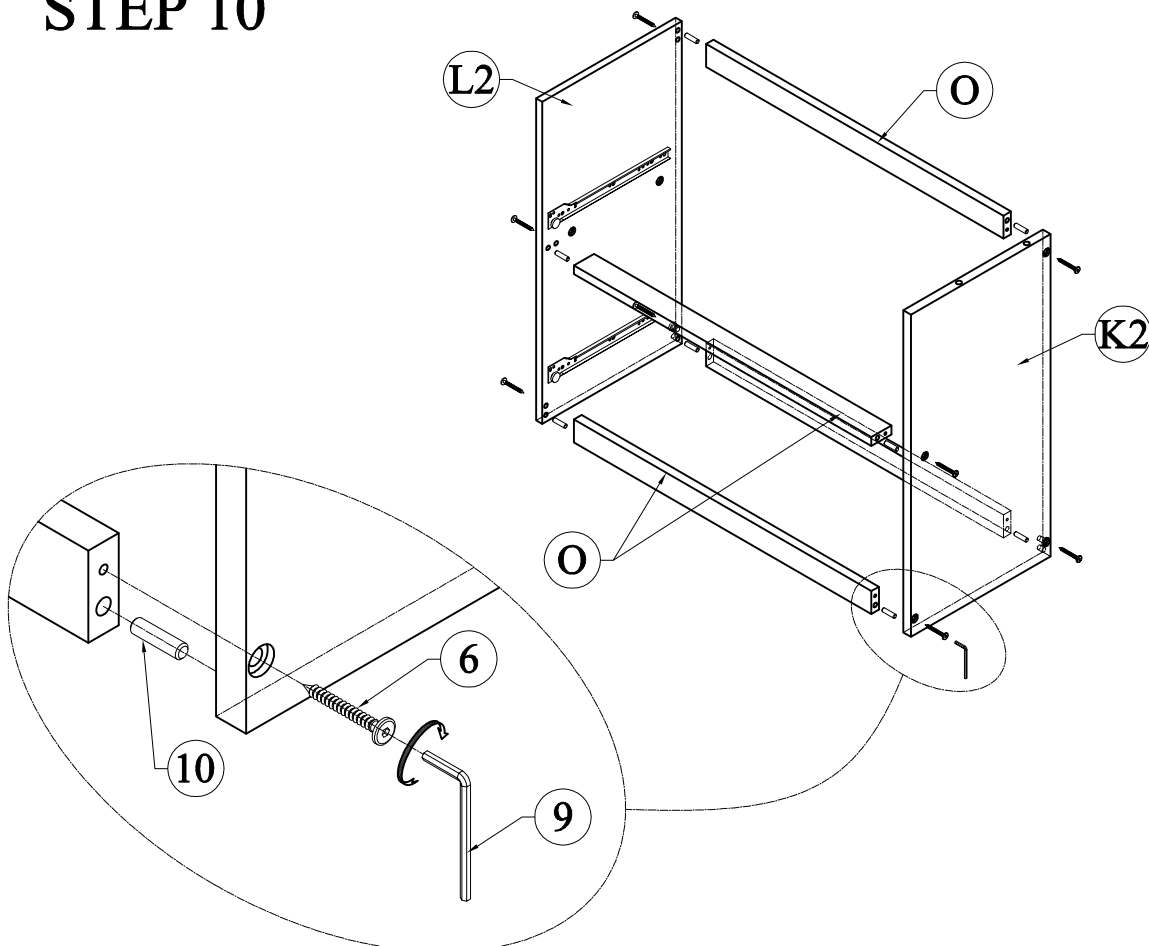
L/R Sliding rail - outside
4pcs

16



Wood crews
M3.5 * 15 - 12pcs

STEP 10



6



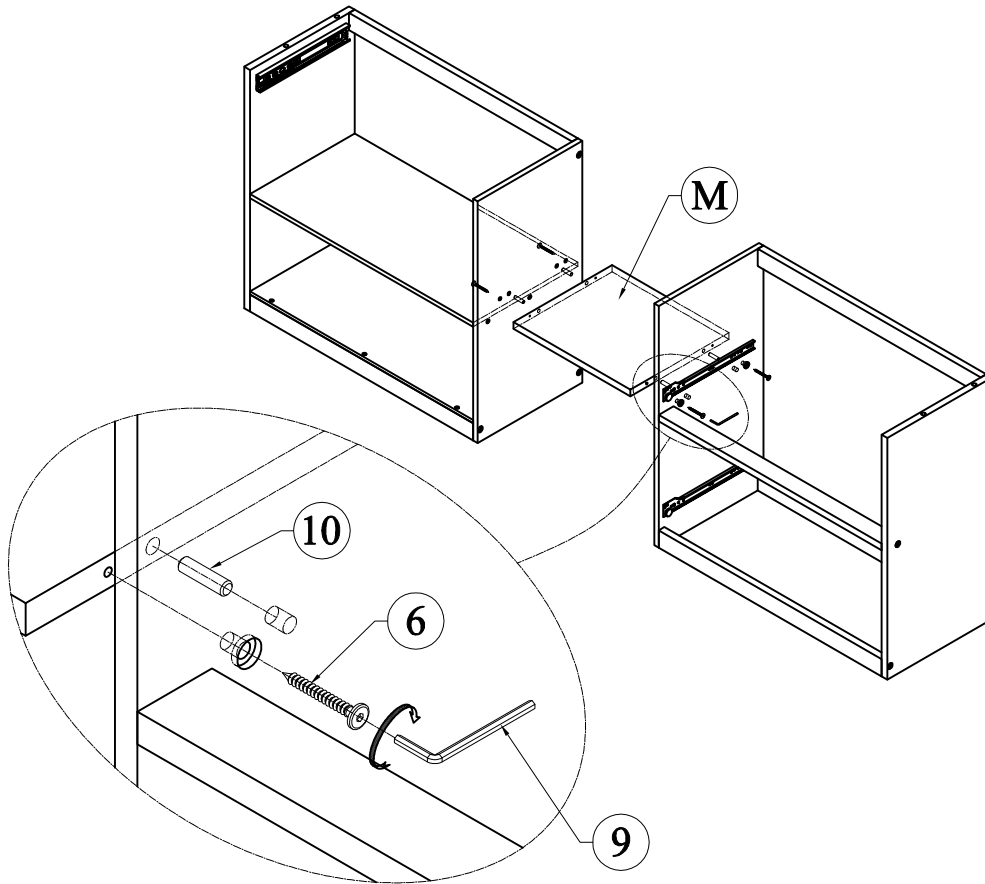
Hexagonal bolts catch wood
Ø6 * 50 - 8pcs

10



Wood dowel
Ø8 * 30 - 8pcs

STEP 11



6



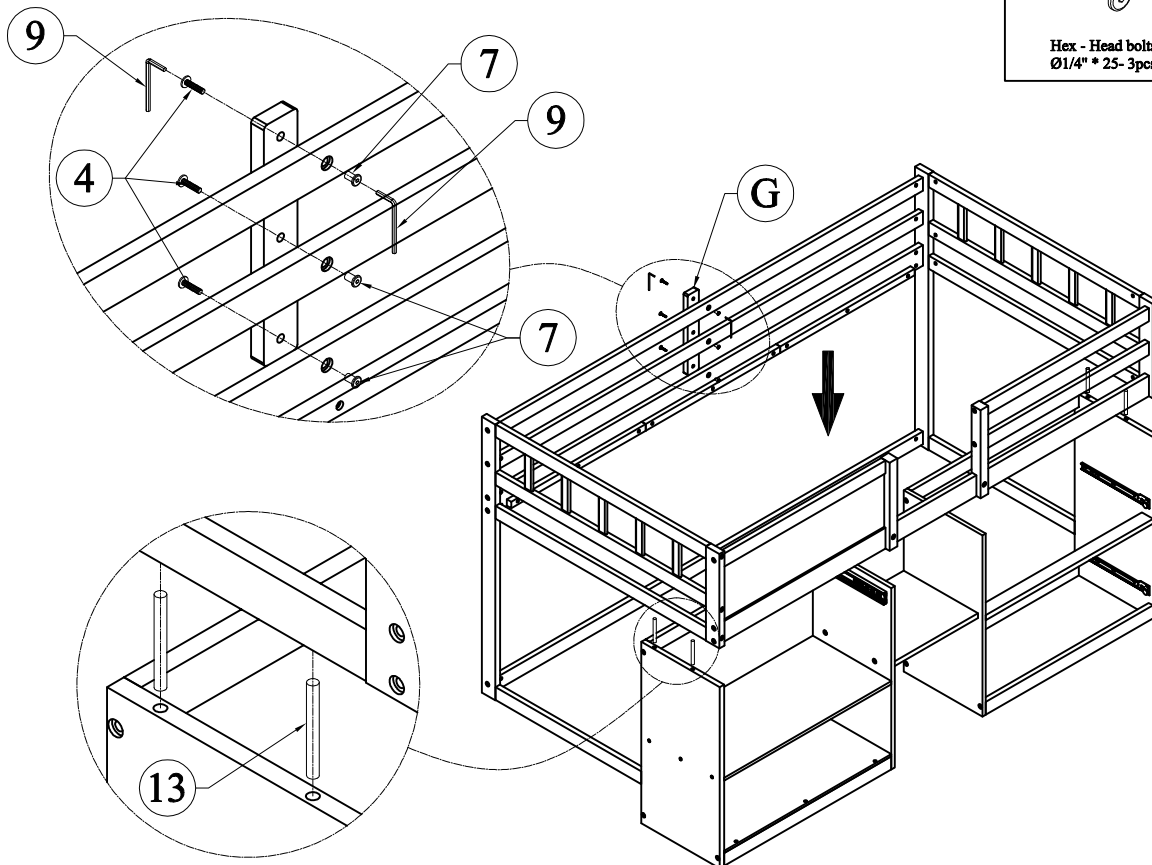
Hexagonal bolts catch wood
Ø6 * 50 - 4pcs

10



Wood dowel
Ø8 * 30 - 4pcs

STEP 12



4



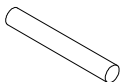
Hex - Head bolts
Ø1/4" * 25- 3pcs

7



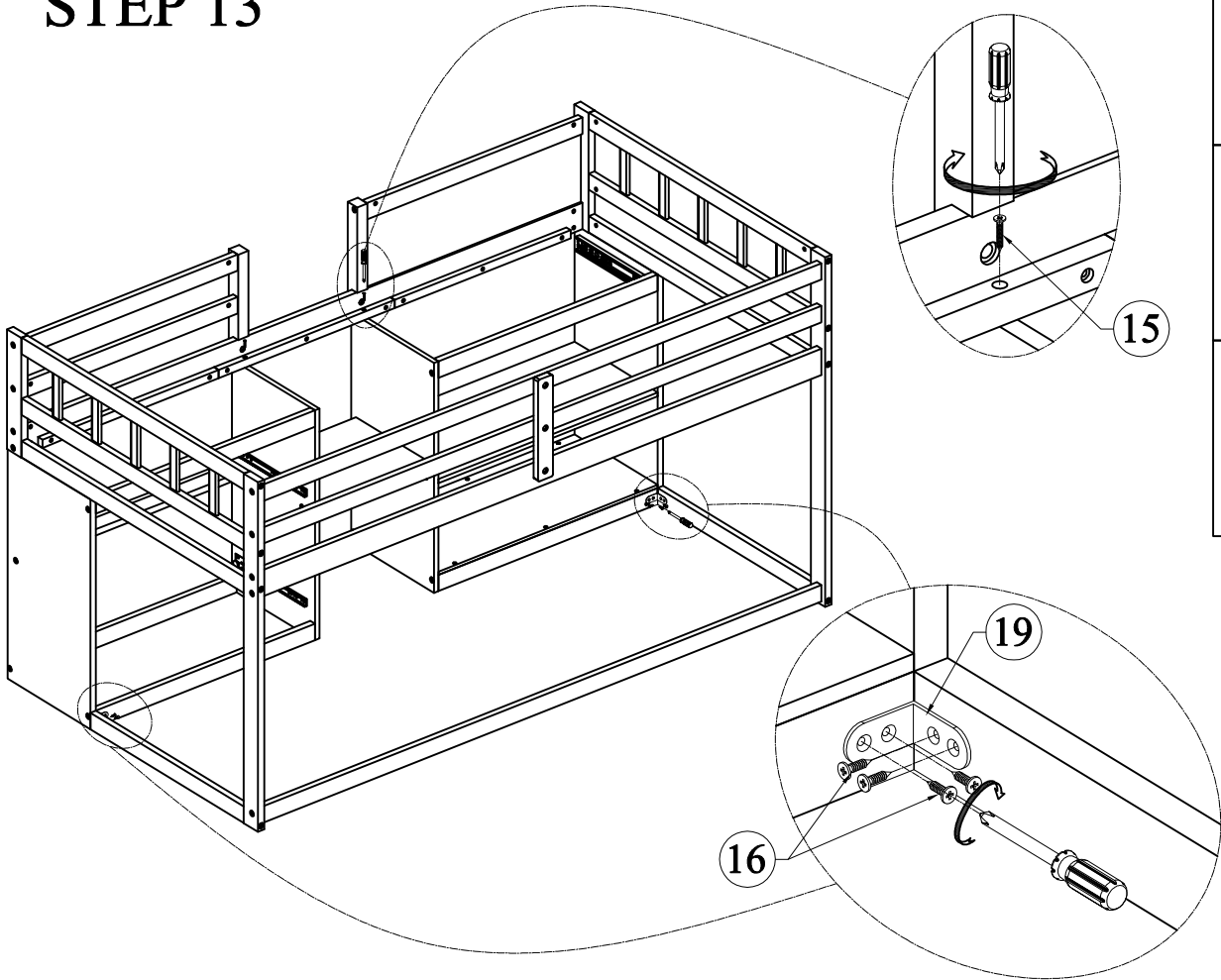
Canopy head tough
Ø1/4" - 3pcs

13



Steel dowel
Ø10 * 90 - 4pcs

STEP 13



15



Wood crews
M4 * 35 - 2pcs

16



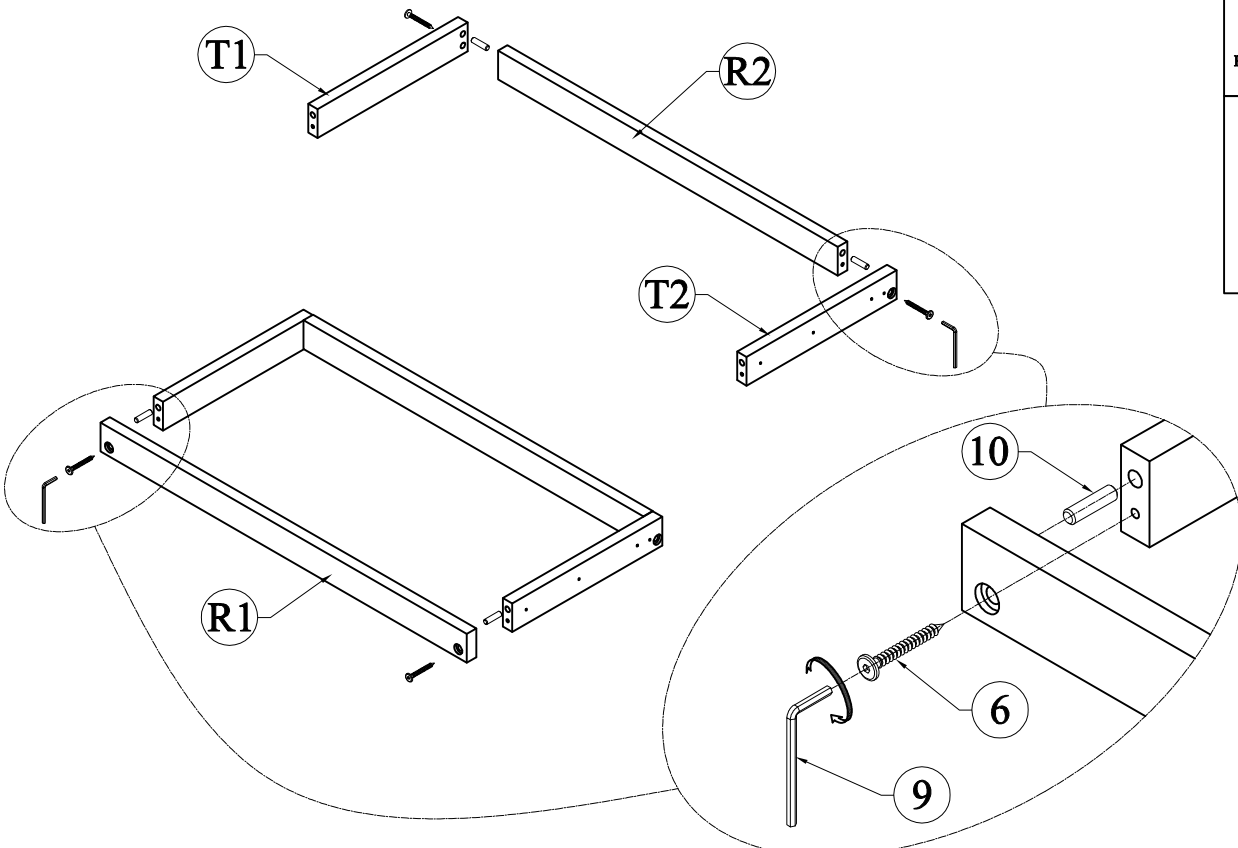
Wood crews
M3.5 * 15 - 8pcs

19



Part L - 2pcs

STEP 14



6



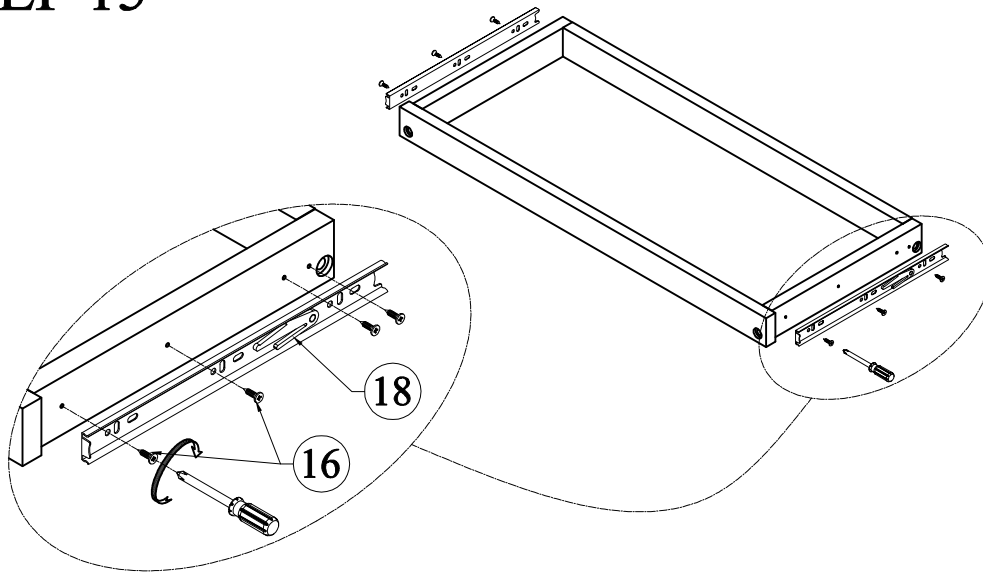
Hexagonal bolts catch wood
Ø6 * 50 - 4pcs

10



Wood dowel
Ø8 * 30 - 4pcs

STEP 15



16



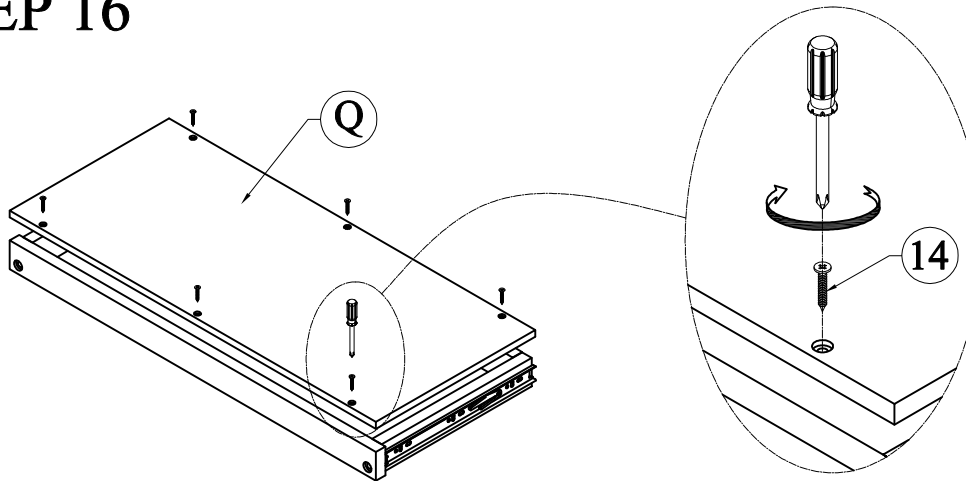
Wood screws
M3.5 * 15 - 8pcs

18



Sliding rail (inside) - 2pcs

STEP 16

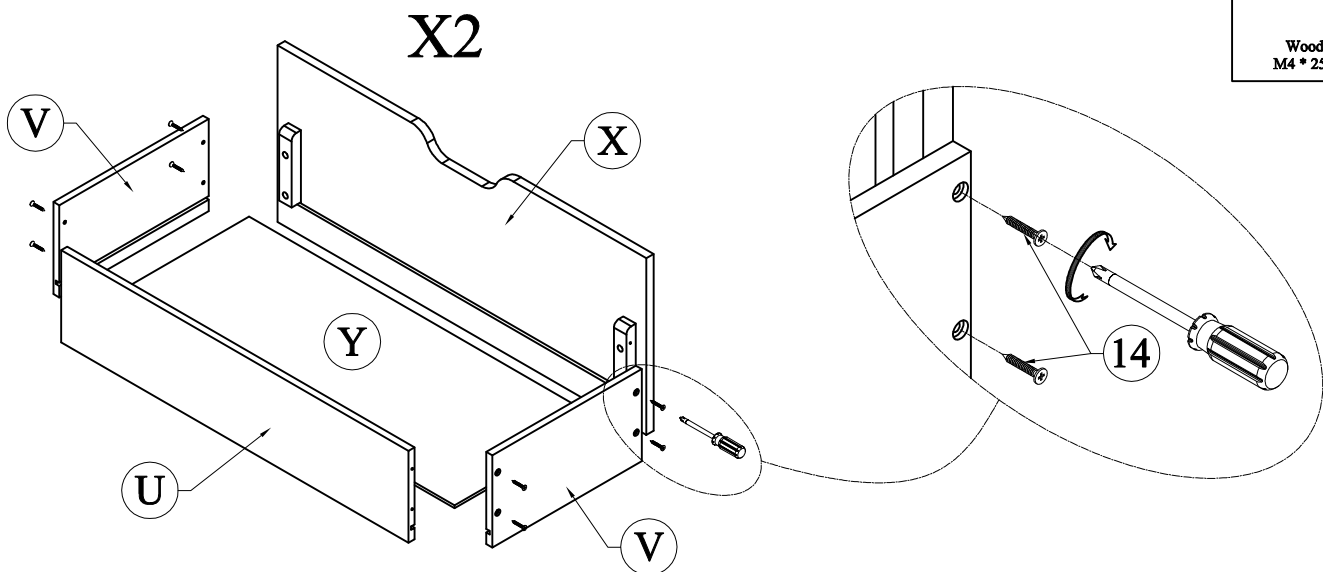


14



Wood screws
M4 * 25 - 6pcs

STEP 17

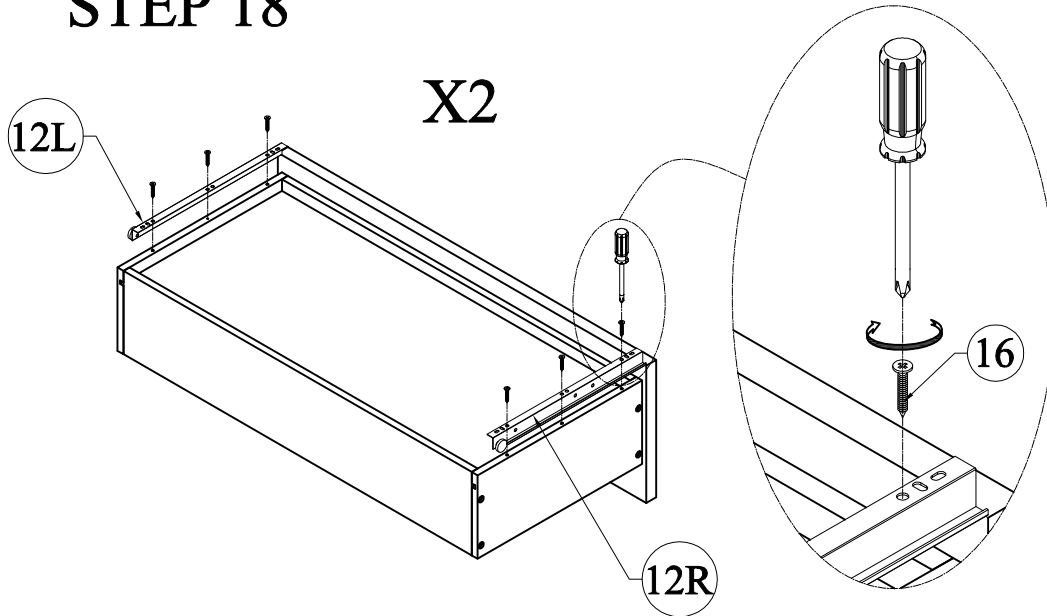


14

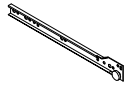


Wood screws
M4 * 25 - 16pcs

STEP 18



12L/R



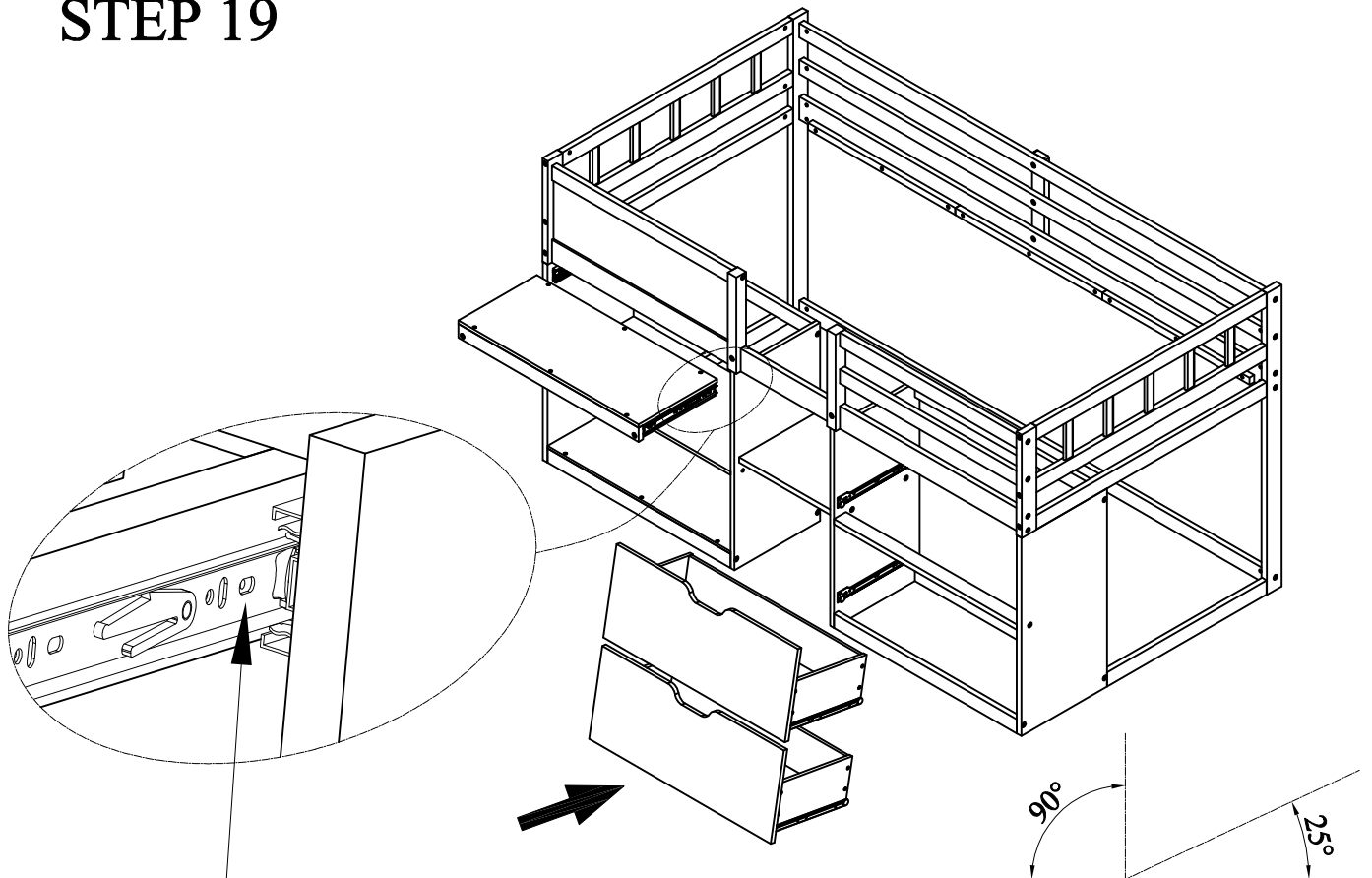
L/R Sliding rail - inside
4pcs

16



Wood crews
M3.5 * 15 - 12pcs

STEP 19



Place the end of the slider in the groove
before pushing it in

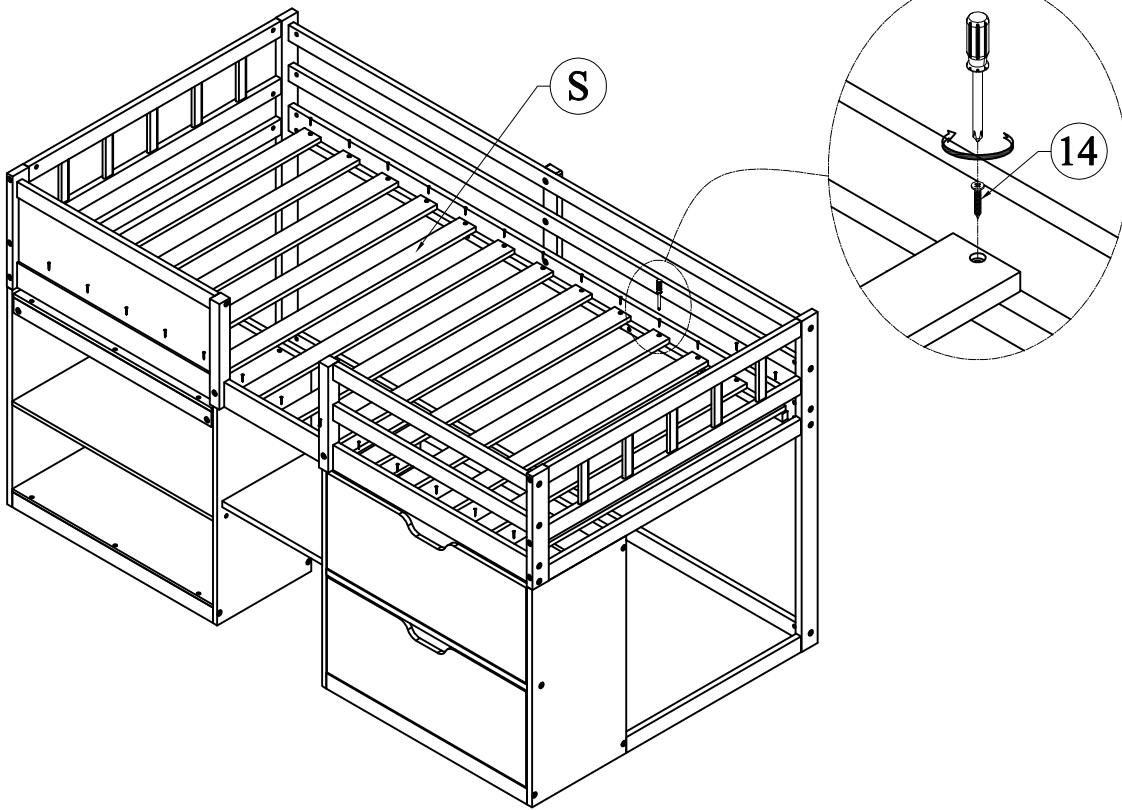
STEP 20

The distance between the slats is 3-1/4 inch

14



Wood screws
M4 * 25 - 26pcs



COMPLETED

